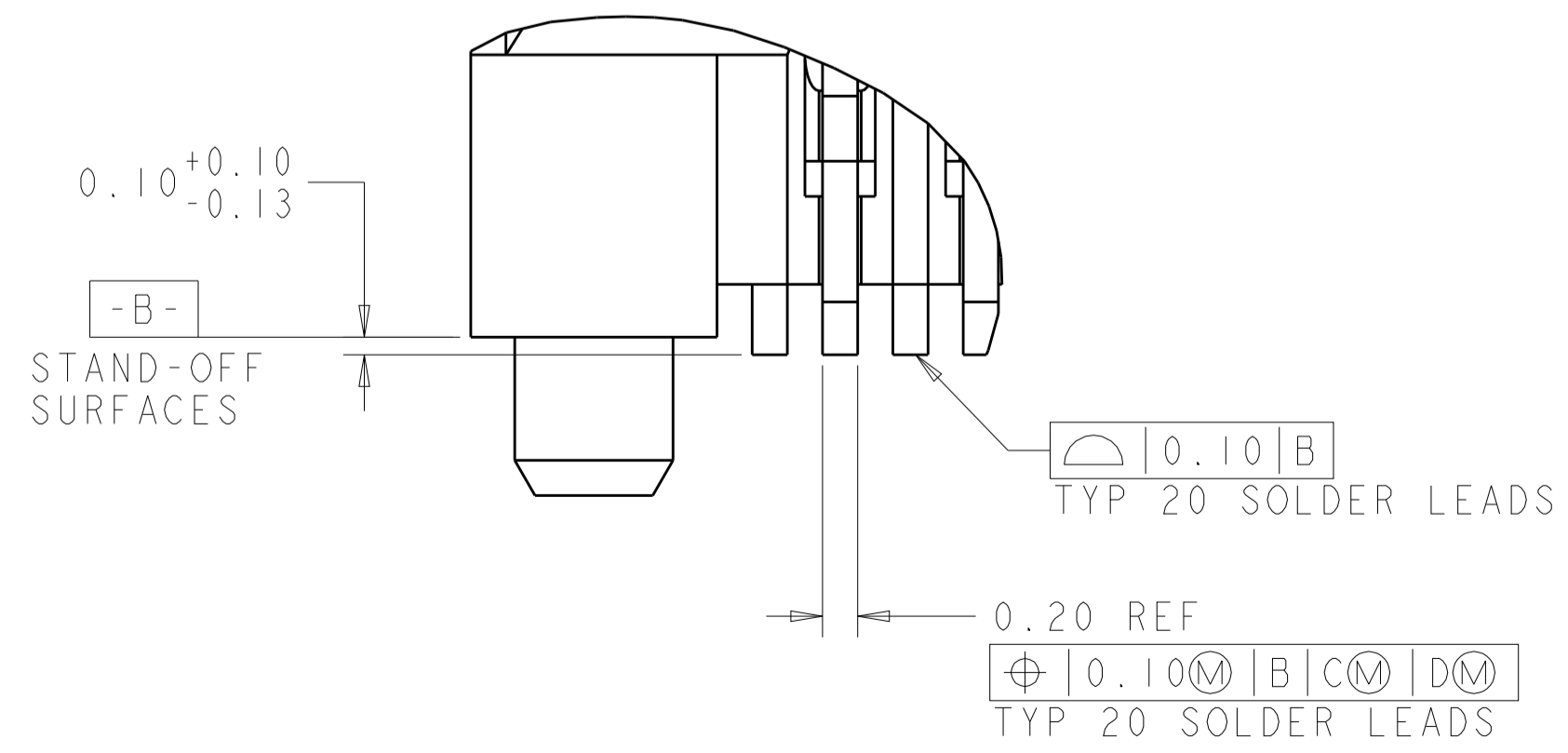
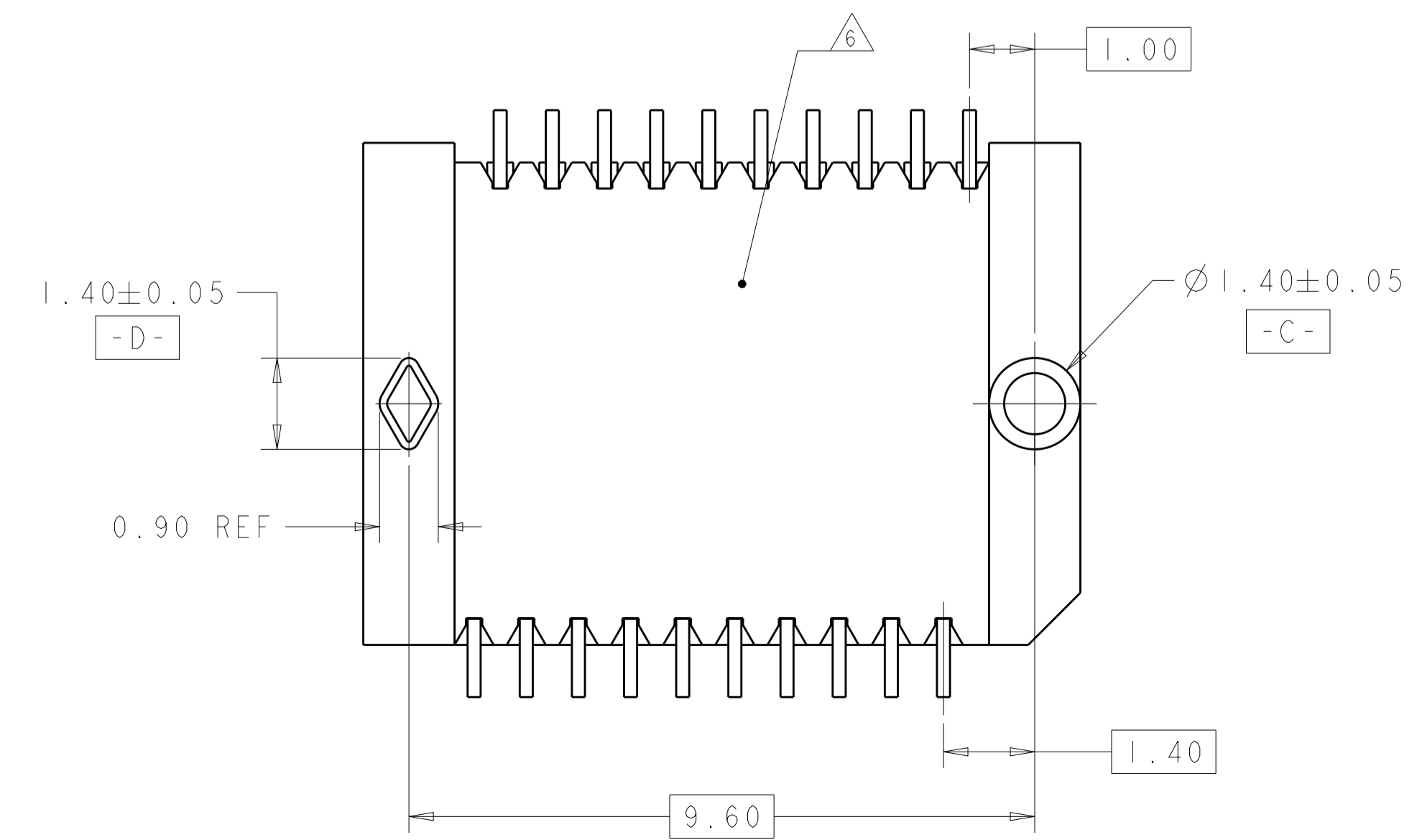
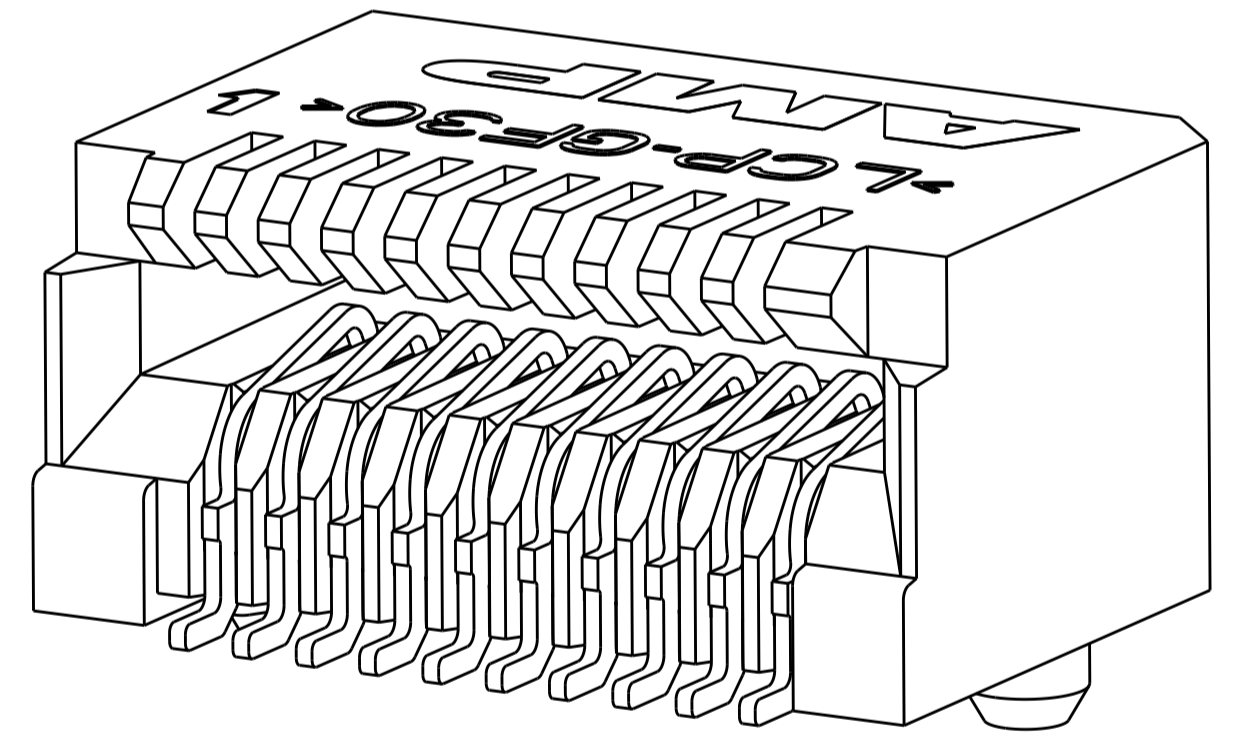
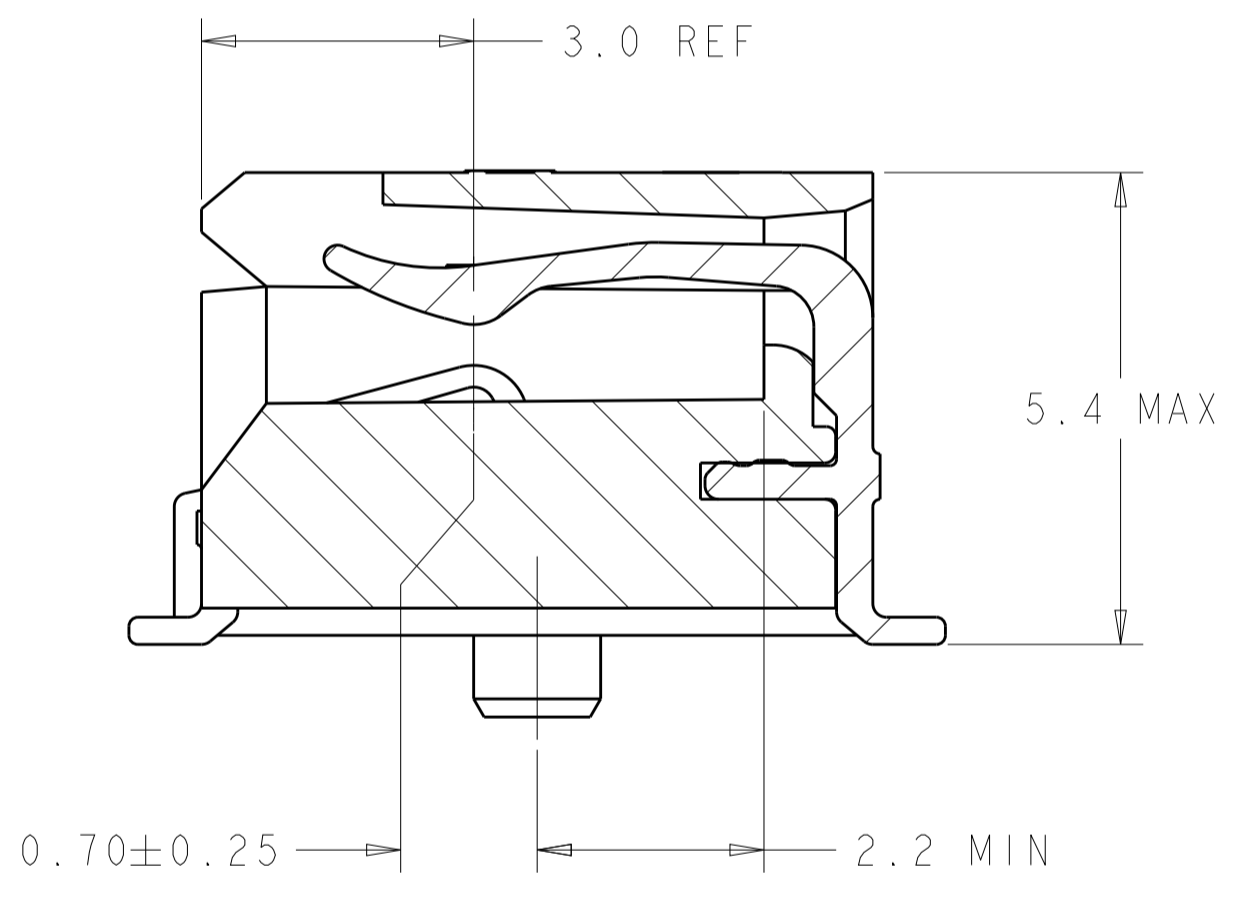
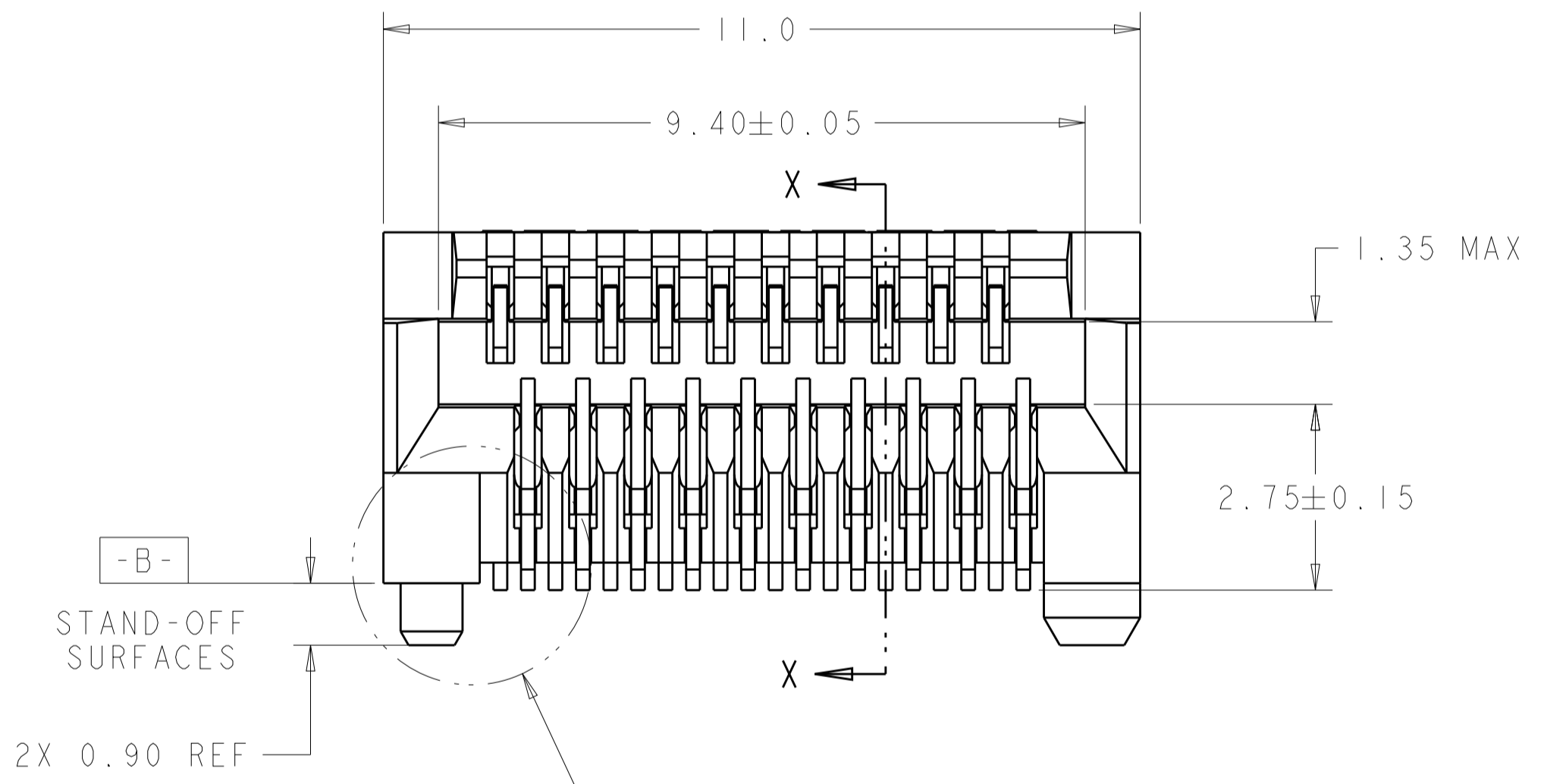
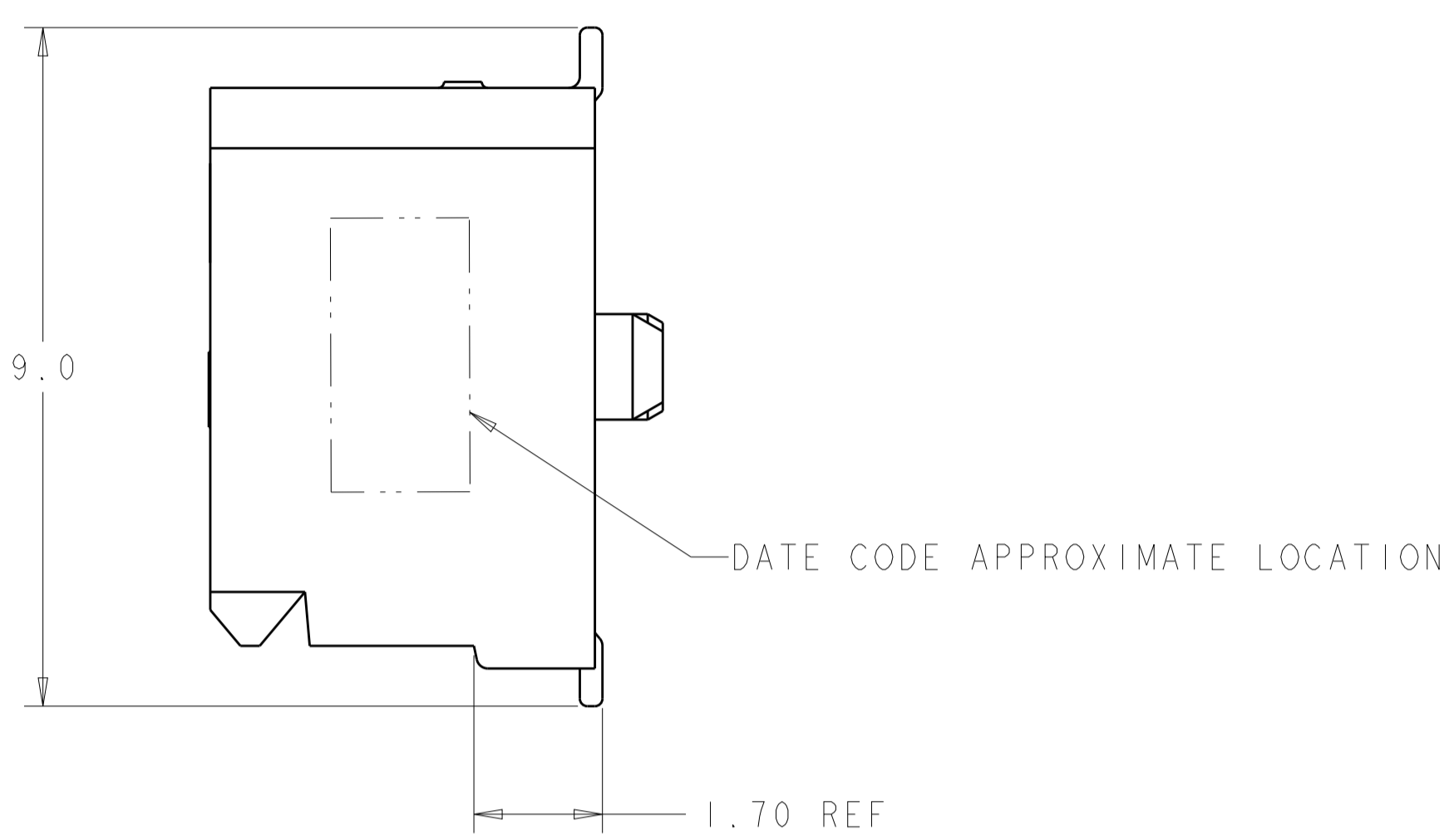
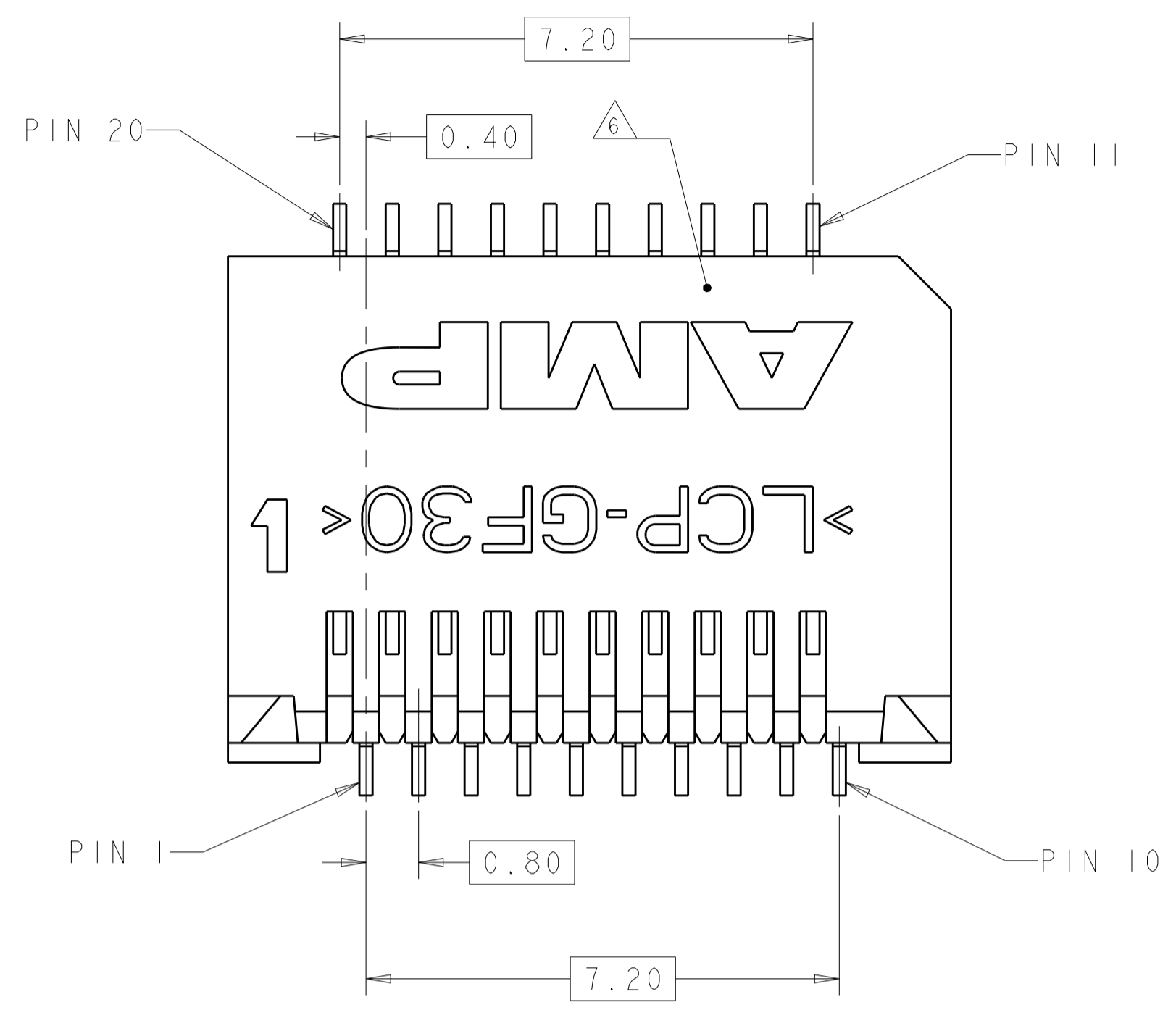


LOC	DIST	REVISIONS					
		P	LTN	DESCRIPTION	DATE	DWN	APVD
ES	00	L		REVISED PER ECO-15-018066	16DEC2015	PP	SH
		M		UPDATE NICKEL PLATING AND ADD NOTE 8	20JUN2017	JW	SH
		N		REVISED PER ECR-19-009785	24JUN2019	IT	SH
		N1		DIM MARKS CHANGE; ADD PN -7	10JUN2020	IT	SH



DETAIL H
 SCALE 25:1

- 1 MATERIAL:
 HOUSING: HIGH TEMPERATURE LCP, UL 94V-0 RATED, BLACK
 CONTACTS: PHOSPHOR BRONZE.
- 2 FINISH:
 CONTACTS: 0.00076 MIN GOLD ON CONTACT AREA, 0.00013 MIN GOLD ON SOLDER AREA. ALL OVER 0.00127 MIN NICKEL UNDERPLATE ON ENTIRE CONTACT. LUBRICANT ON GOLD PLATE CONTACT AREAS.
- 3. PACKAGED 480 PIECES PER REEL.
- 4 DATUMS AND BASIC DIMENSIONS TO BE ESTABLISHED BY CUSTOMER, SEE DRAWING 1367034 FOR LAYOUT WHEN USED WITH 1367034-1 BOTTOM CAGE (STANDARD SFP APPLICATION).
- 5 FINISH:
 CONTACTS: 0.00038 MIN GOLD ON CONTACT AREA, 0.00013 MIN GOLD ON SOLDER AREA. ALL OVER 0.00127 MIN NICKEL UNDERPLATE ON ENTIRE CONTACT. LUBRICANT ON GOLD PLATE CONTACT AREAS.
- 6 PULL GROOVES PERMITTED ON THESE SURFACES AT MOLDING ENGINEERING DISCRETION
- 7 FOR ESD PROTECTION TAPE AND REEL PACKAGE ONLY. MATERIALS (COVER TAPE, EMBOSS TAPE, REEL, INNER LABEL ON REEL) USED WITH AN EPA AREA MUST PRIMARILY BE ELECTROSTATIC CONDUCTIVE OR ELECTROSTATIC DISSIPATIVE. NO MATERIAL SHOULD BE CHARGED UP TO MORE THAN 100 VOLTS.
- 8. TEMPERATURE RATING: -55°C TO 105°C
- 9 CUSTOMIZED PART NUMBER.

1888247-1,2,3,4,5,7 AS SHOWN

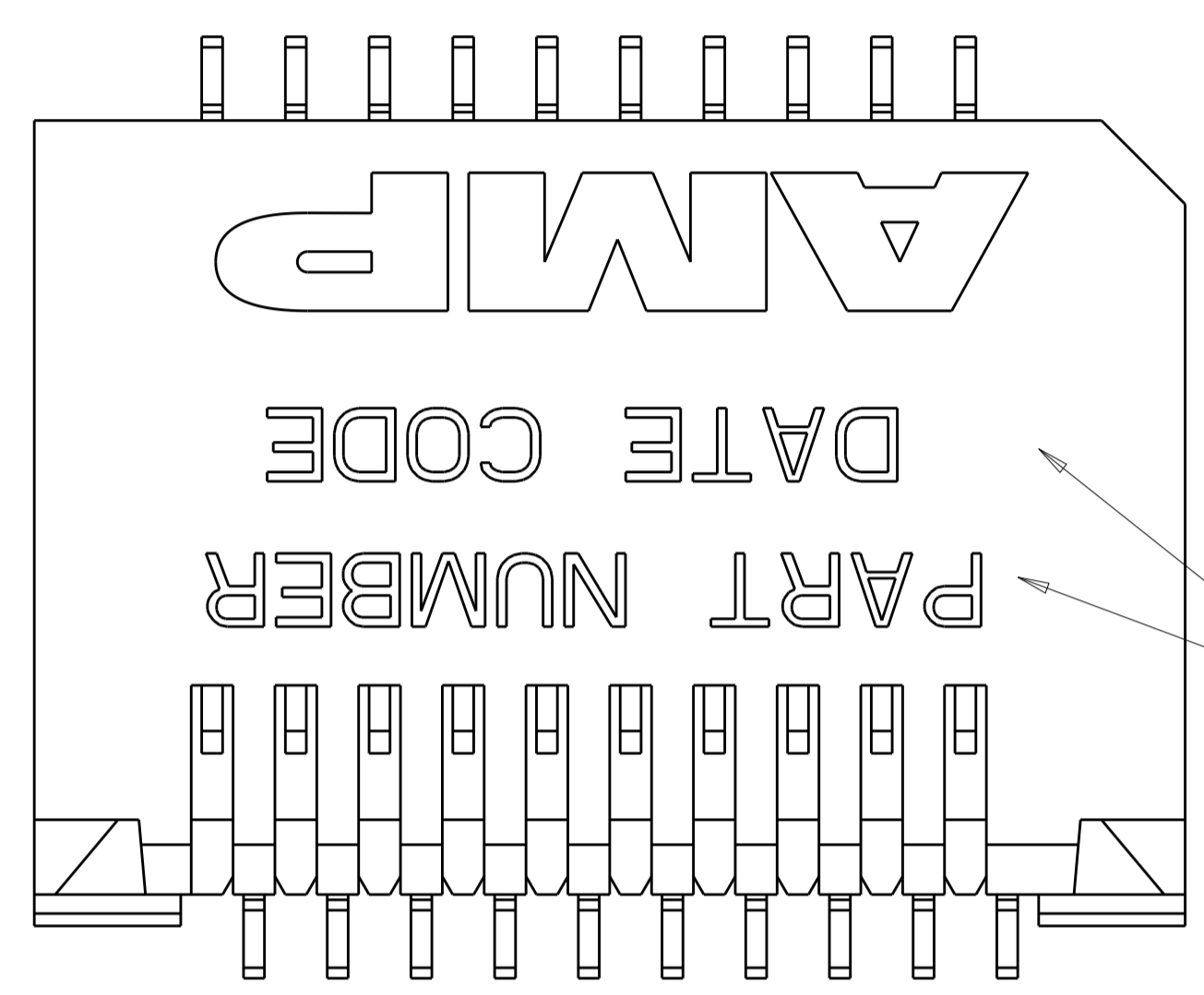
9	NO	2	1888247-7
7	NO	2	1888247-5
	YES	5	1888247-4
	YES	2	1888247-3
	NO	5	1888247-2
	NO	2	1888247-1
	DATE CODE	FINISH	PART NUMBER

THIS DRAWING IS A CONTROLLED DOCUMENT.

DIMENSIONS:	TOLERANCES UNLESS OTHERWISE SPECIFIED:	DWN B. MCMASTER 14FEB06	TE Connectivity
mm	0 PLC ±	CHK S. SHUEY 14FEB06	NAME
	1 PLC ±0.20	APVD S. SHUEY 14FEB06	PT CONNECTOR ASSEMBLY, 20 POS, RIGHT ANGLE, 0.8mm PITCH, SFP+
	2 PLC ±0.10		PRODUCT SPEC
	3 PLC ±		108-1949
	4 PLC ±		APPLICATION SPEC
	ANGLES ±		114-13017
MATERIAL	FINISH	WEIGHT	SIZE CAGE CODE DRAWING NO RESTRICTED TO
			A100779C=1888247
			CUSTOMER DRAWING SCALE 12:1 SHEET 1 OF 4 REV I

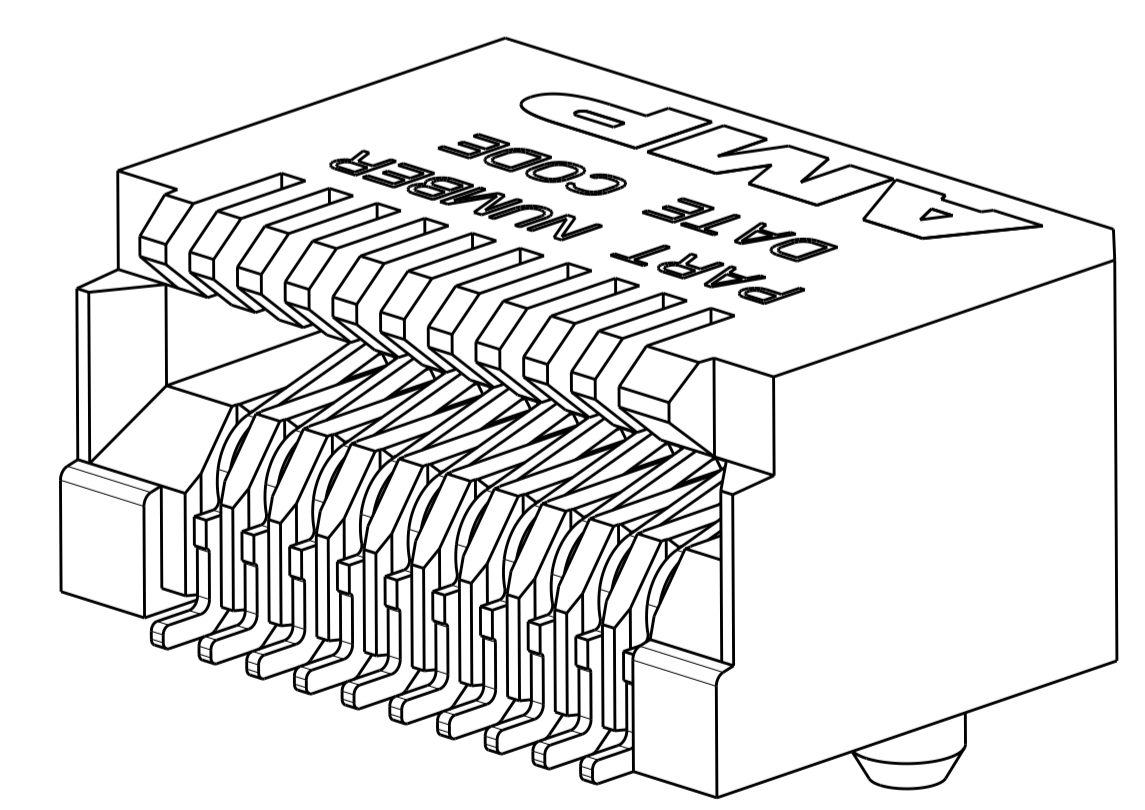
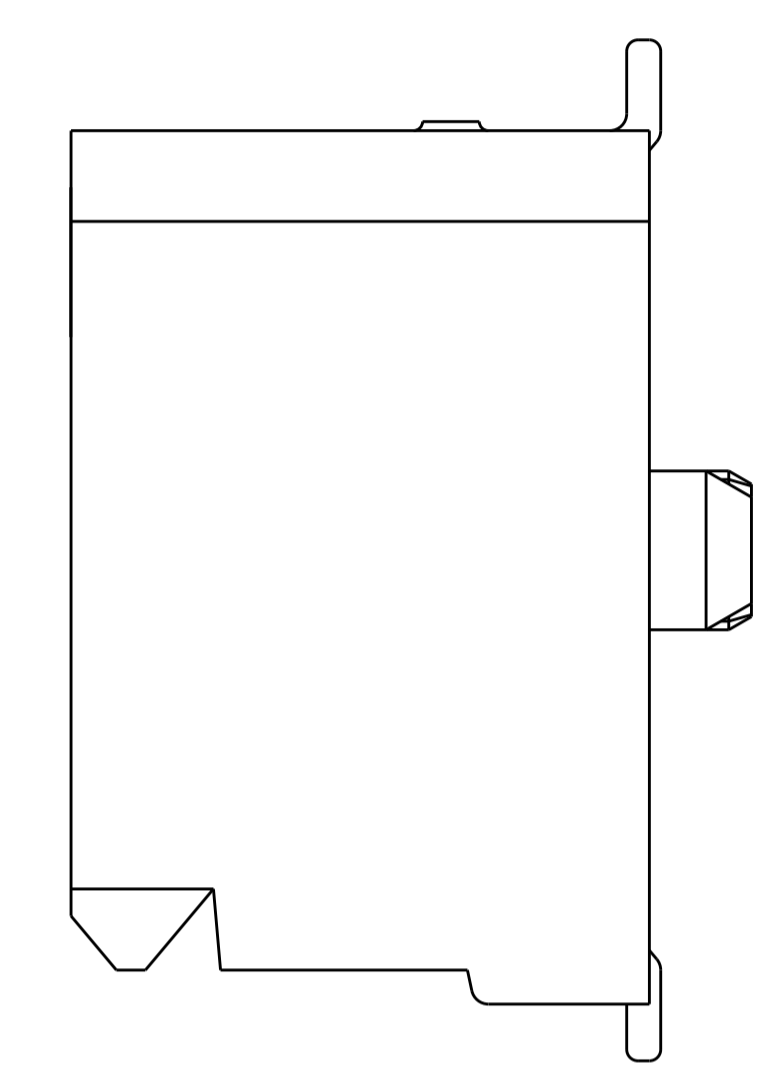
LOC		DIST		REVISIONS			
ES	00	P	LTN	DESCRIPTION	DATE	DMN	APVD
		-		SEE SHEET 1	-	-	-

1888247-6 AS SHOWN
 PRINT PART NUMBER AND DATE CODE ON TOP
 ALL OTHERS SAME AS 1888247-2



PART NUMBER AND DATE CODE
 APPROXIMATE LOCATION

SCALE 15:1



1888247-6 AS SHOWN

YES	YES	△	1888247-6
PART NUMBER	DATE CODE	FINISH	PART NUMBER

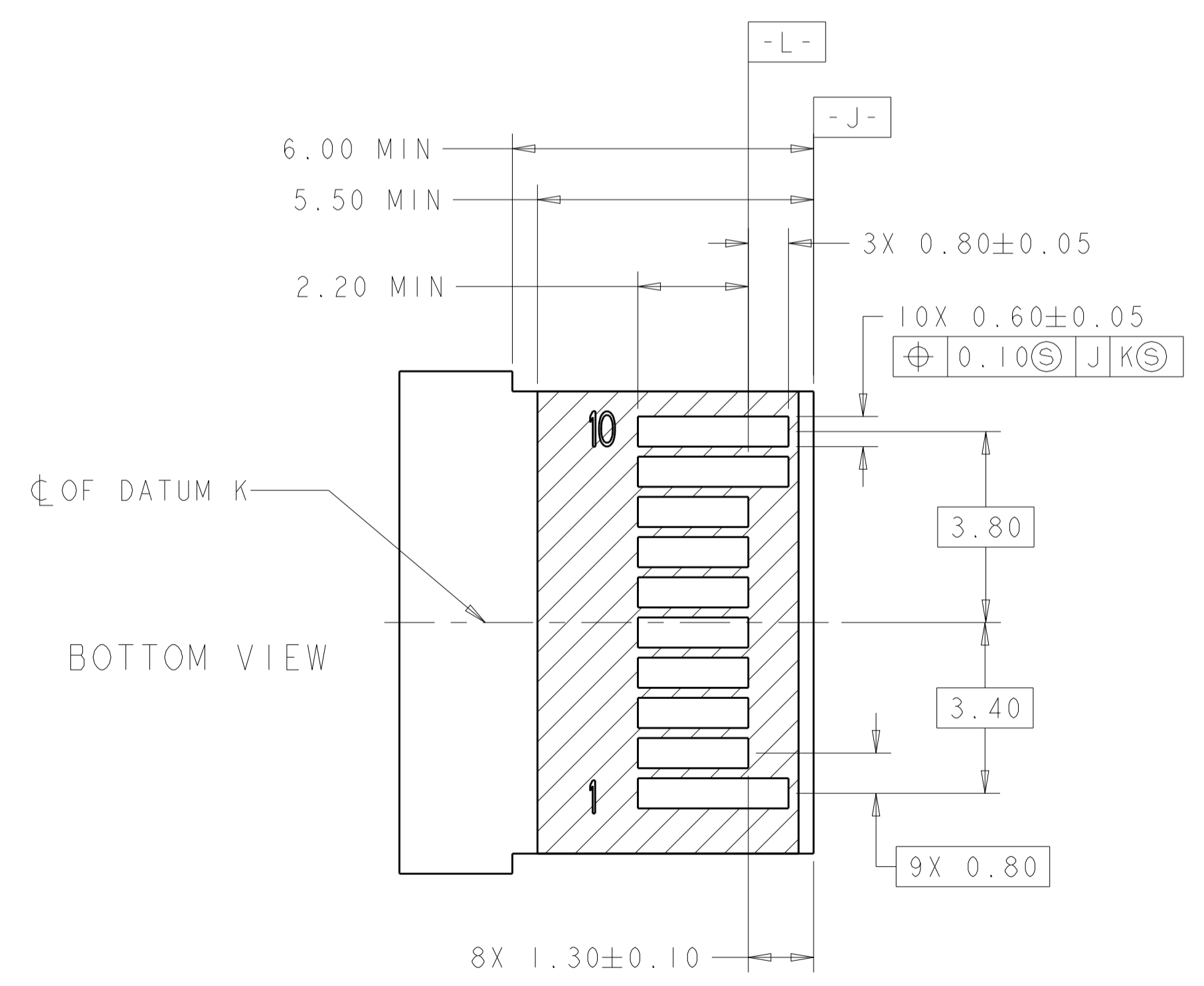
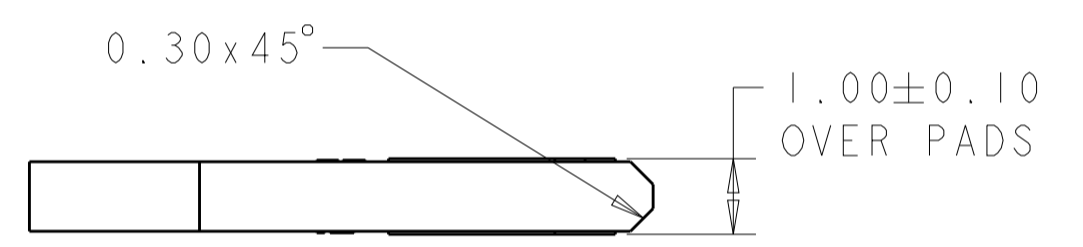
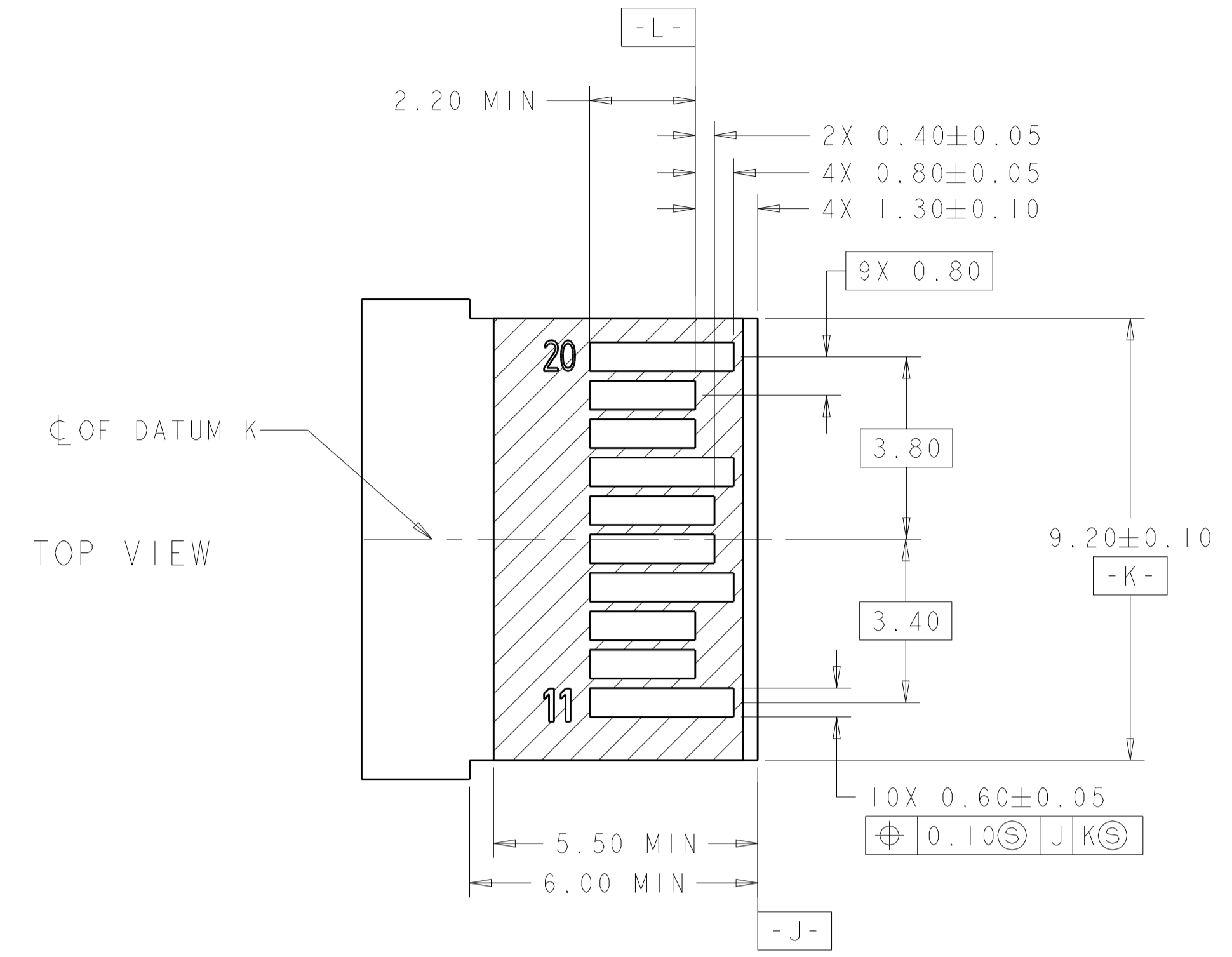
THIS DRAWING IS A CONTROLLED DOCUMENT.		DMN B. MCMASTER 14FEB06	1888247-6	
		CHK S. SHUEY 14FEB06		
		APVD S. SHUEY 14FEB06		
DIMENSIONS:		TOLERANCES UNLESS OTHERWISE SPECIFIED:		
mm	0 PLC ±	PRODUCT SPEC		
	1 PLC ±0.10	108-1949		
	2 PLC ±	APPLICATION SPEC		
	3 PLC ±	114-13017		
	4 PLC ±	WEIGHT		
	ANGLES ±	FINISH		
MATERIAL		CUSTOMER DRAWING		
		SIZE A1	CAGE CODE 00779	DRAWING NO. C=1888247
		SCALE 12:1		SHEET 2 OF 4
				REV N1



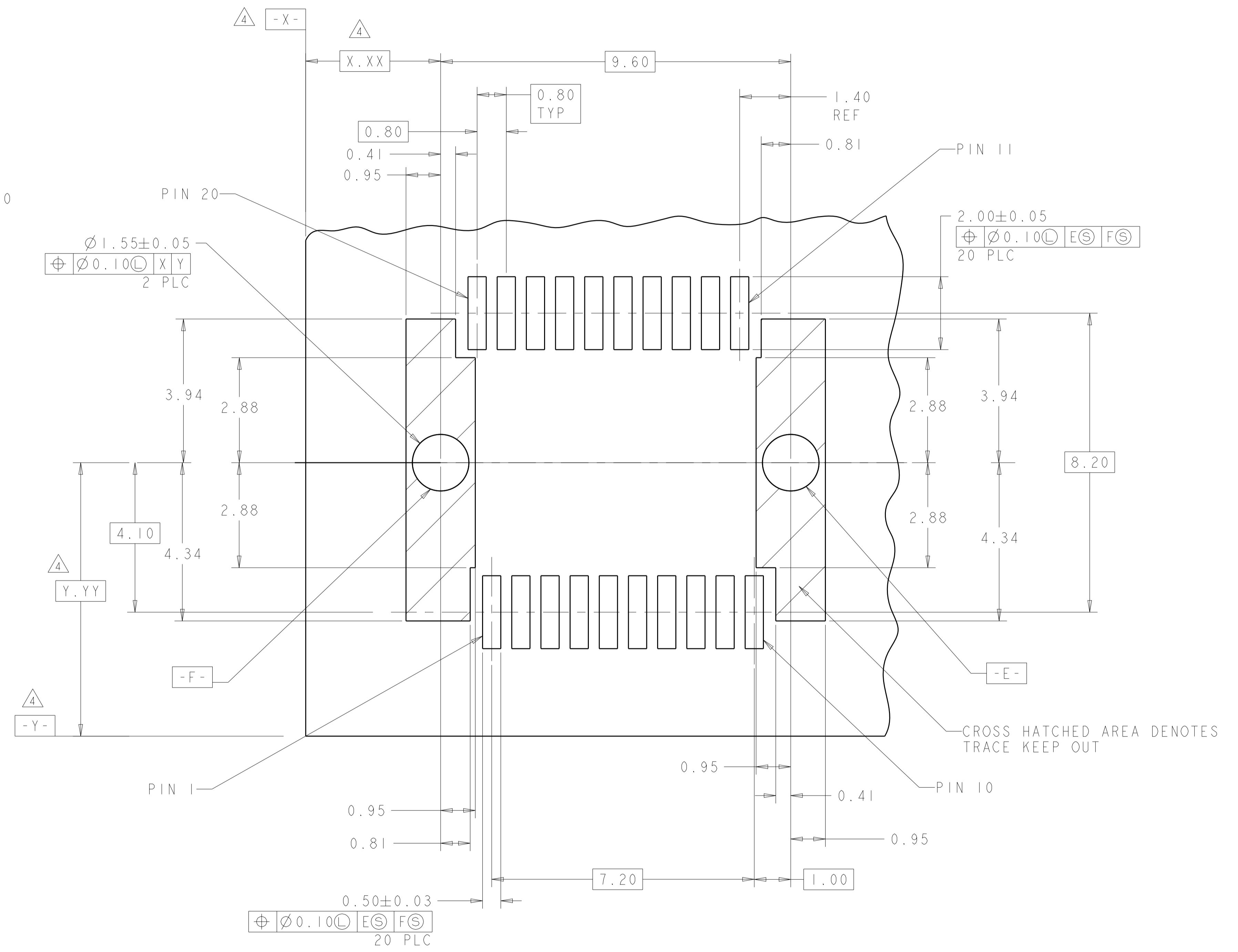
PT CONNECTOR ASSEMBLY, 20 POS,
 RIGHT ANGLE, 0.8mm PITCH, SFP+

LOC	DIST	REV	DATE	BY	APPV
ES	00				

REVISIONS		
NO.	DESCRIPTION	DATE
-	SEE SHEET 1	-



RECOMMENDED LAYOUT DETAIL
 MATING TRANSCEIVER PCB
 SCALE 10:1



THIS DRAWING IS A CONTROLLED DOCUMENT.		OWN: B. MCMASTER 14FEB06	TE Connectivity
DIMENSIONS: mm		CHK: S. SHUEY 14FEB06	
TOLERANCES UNLESS OTHERWISE SPECIFIED:		APPV: S. SHUEY 14FEB06	NAME: PT CONNECTOR ASSEMBLY, 20 POS, RIGHT ANGLE, 0.8mm PITCH, SFP+
0 PLC ±	1 PLC ±0.10	PRODUCT SPEC	108-1949
2 PLC ±	3 PLC ±	APPLICATION SPEC	114-13017
4 PLC ±	ANGLES ±	SIZE: A1	CAGE CODE: 100779
MATERIAL:	FINISH: -	WEIGHT: -	REV: -
CUSTOMER DRAWING		SCALE: 12:1	SHEET 3 OF 4

X-ON Electronics

Largest Supplier of Electrical and Electronic Components

Click to view similar products for [I/O Connectors](#) category:

Click to view products by [TE Connectivity](#) manufacturer:

Other Similar products are found below :

[571763P](#) [58098-0628](#) [72.250.1628.2](#) [72.250.2428.2](#) [74720-0505](#) [76.350.0729.0](#) [76871-1403](#) [FCN-244F080-G/1](#) [FCN-260A9920](#) [PCR-E36PM](#) [PCS-XE26MA+](#) [G38A71314B](#) [1571250010](#) [157-22500-3](#) [MS3471L14-19P L/C](#) [172501-4002](#) [172501-6002](#) [FCN-260C008-A/L0](#) [FCN-260C024-AL0](#) [FCN-261Z008](#) [2000314-1](#) [200331-1](#) [PCR-E36FC+](#) [PCS-E28FS+](#) [PCS-XE26SLFD+](#) [PCS-XE26SLFDT+](#) [G730VID08BDC24](#) [U90B2054081210](#) [38113800006](#) [DP3AR020WQ1R200](#) [Z4.102.0680.0](#) [500-1040](#) [500-1052](#) [500-1054](#) [ZP-4008-66L](#) [0709821002](#) [DX40-20P\(55\)](#) [5554841-1](#) [MS3474W18-8P-LC*](#) [U90B3054061110](#) [U65-E04-4020](#) [ZPF000000000097891](#) [747360449](#) [10099439-003C-TRLF](#) [10137239-0021LF](#) [E9320-001-01](#) [10137239-0011LF](#) [70289-001LF](#) [70.060.1028.0](#) [109029-ZZ](#)