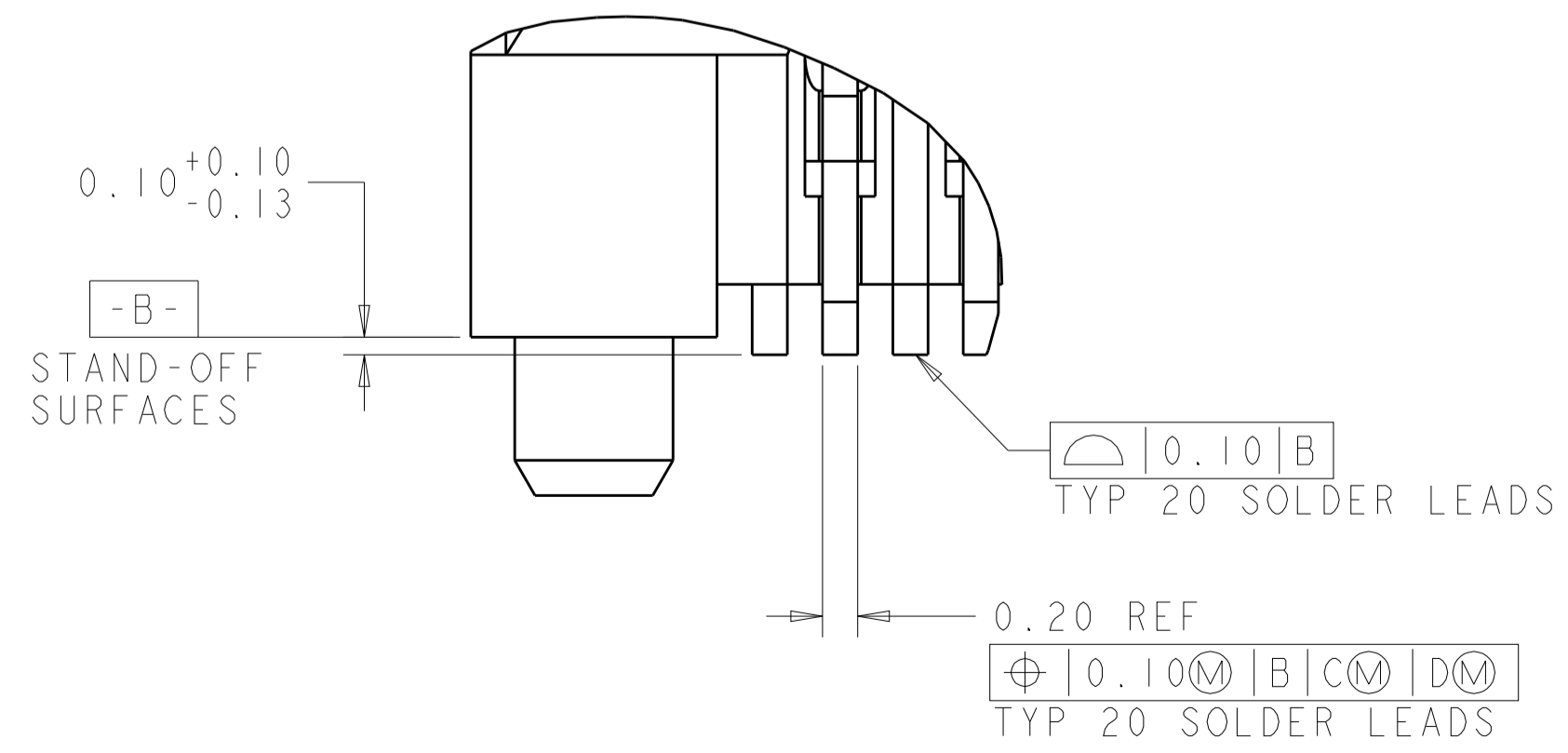
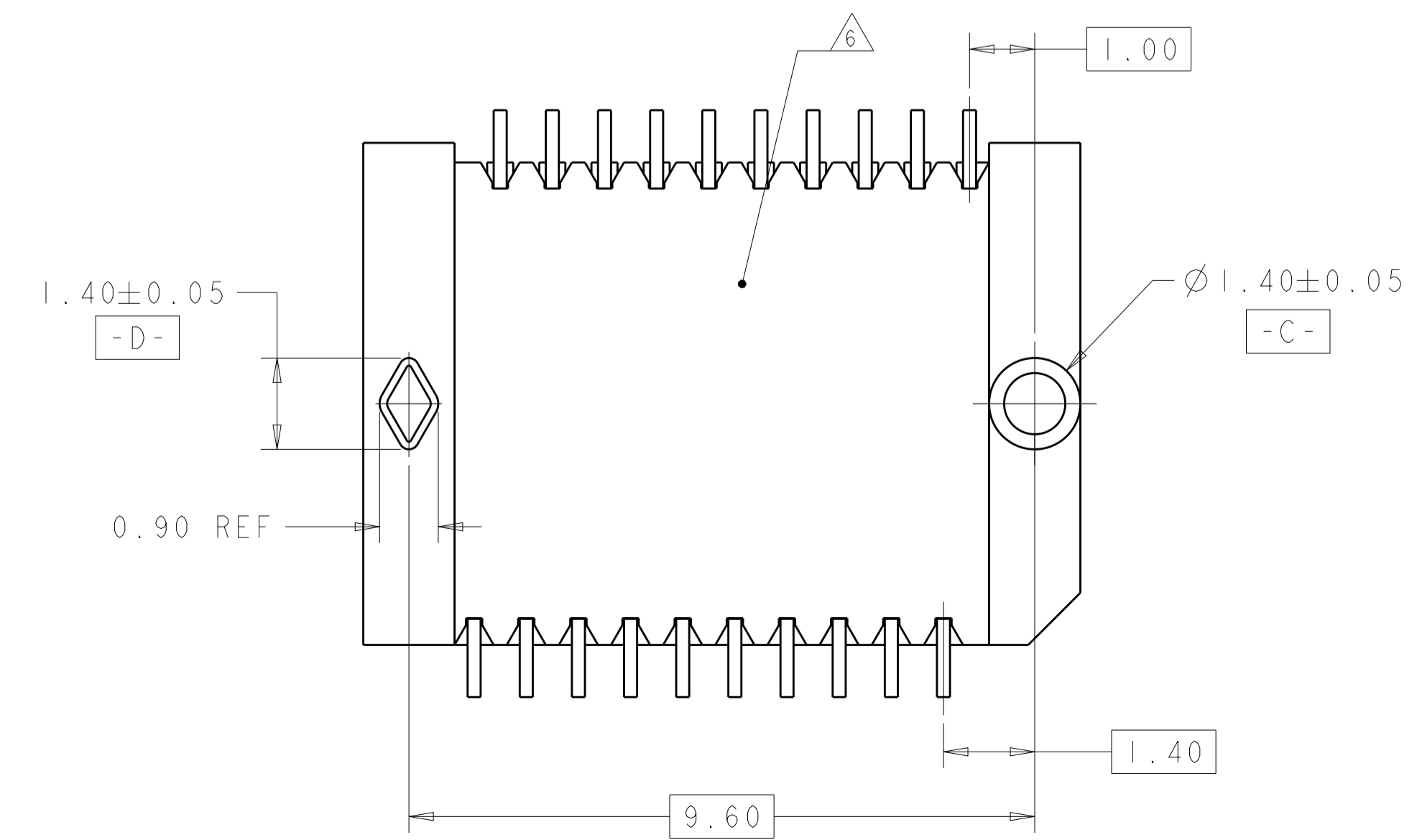
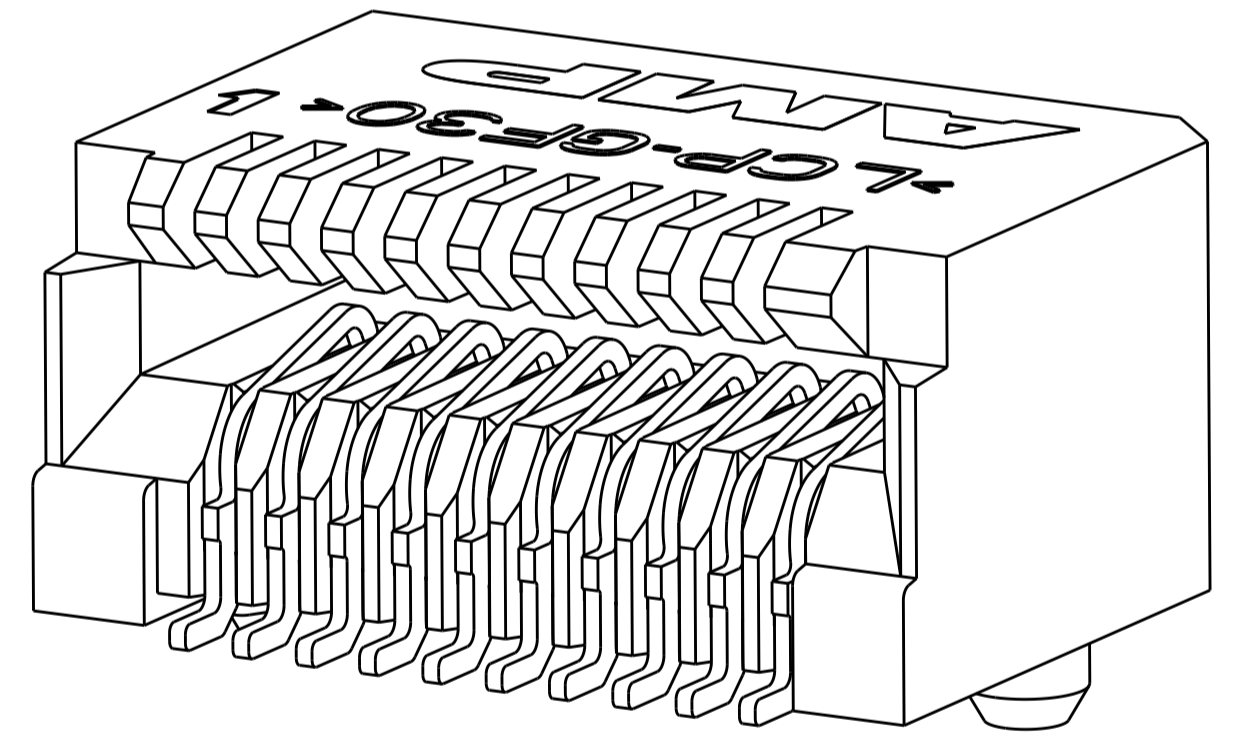
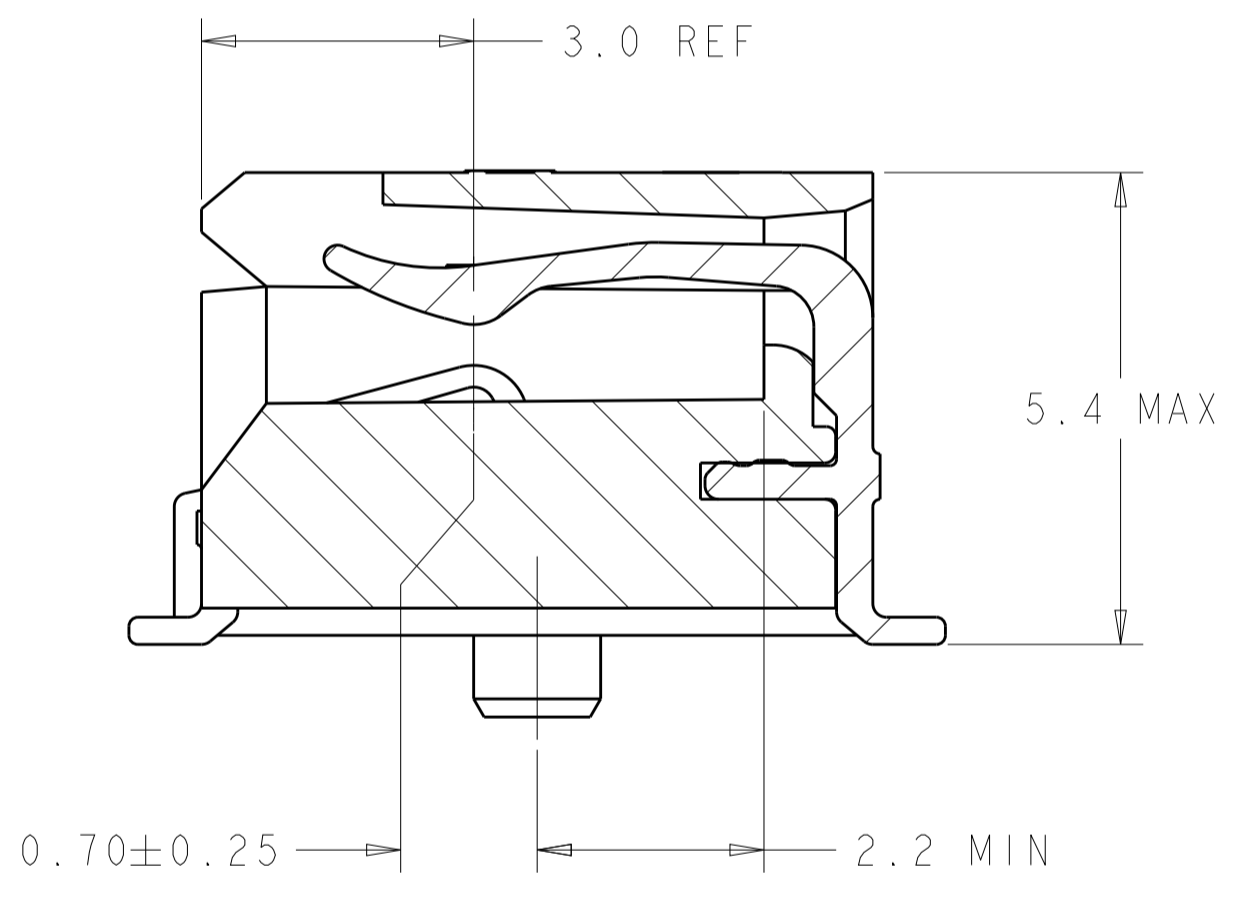
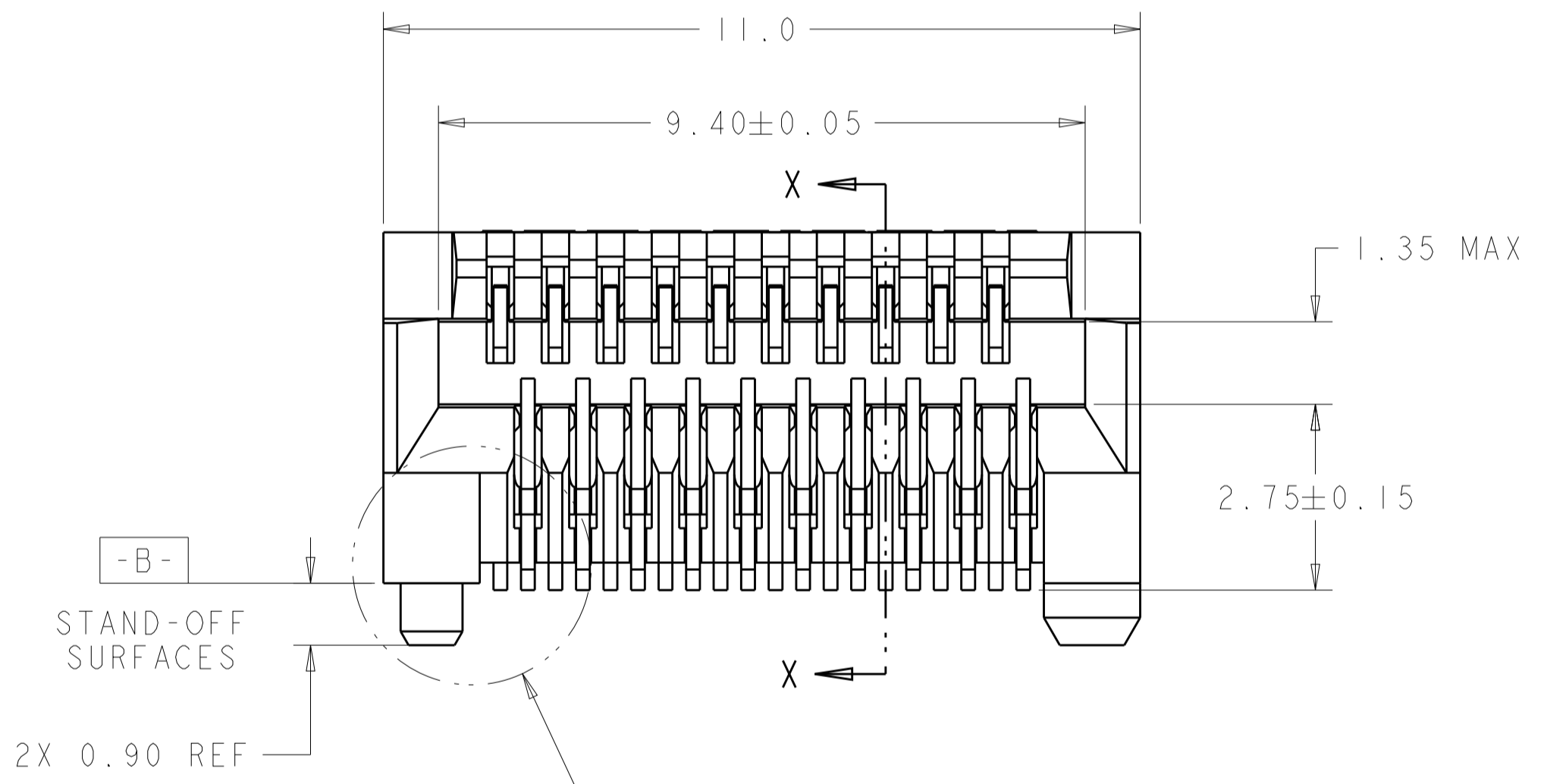
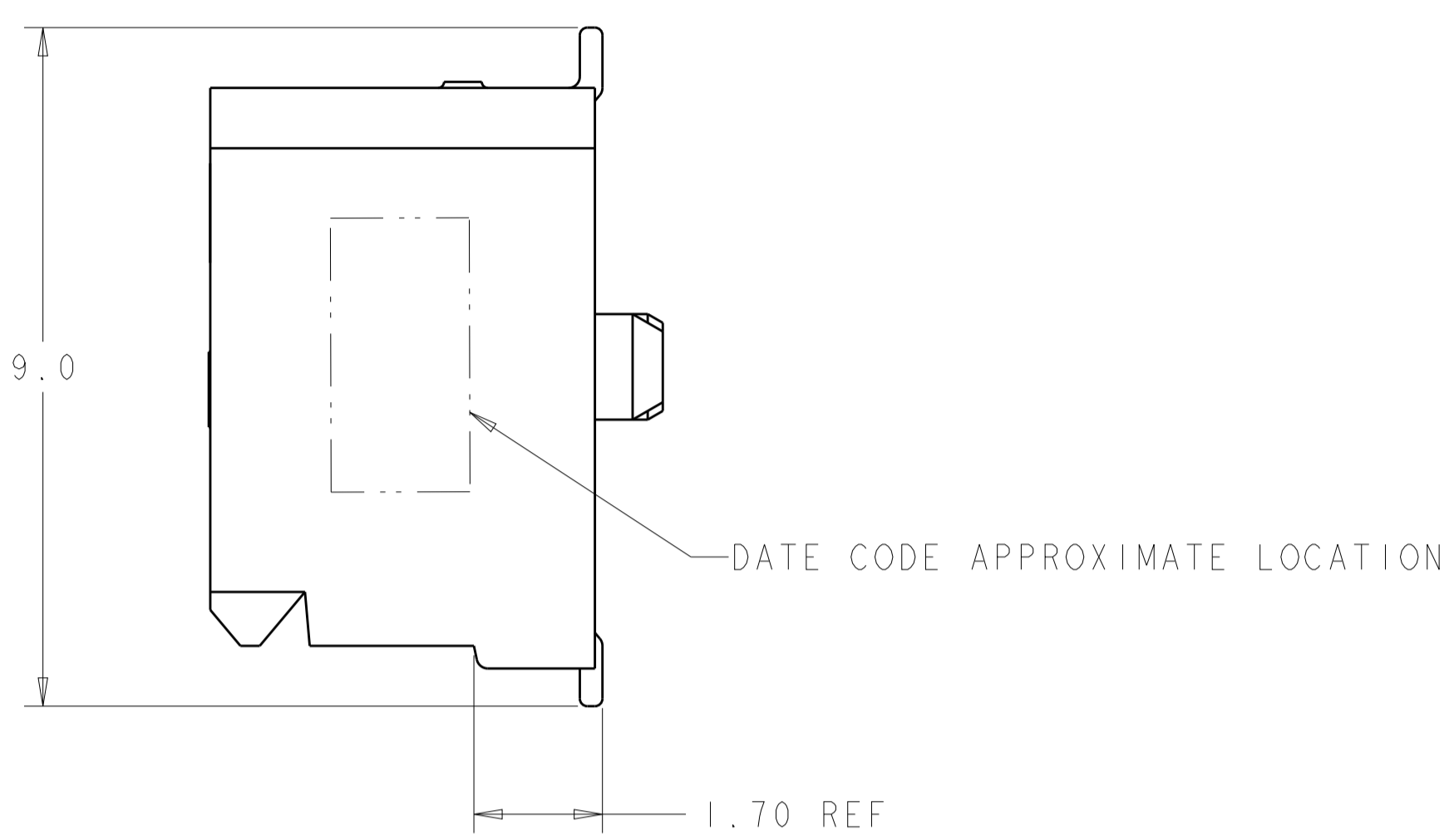
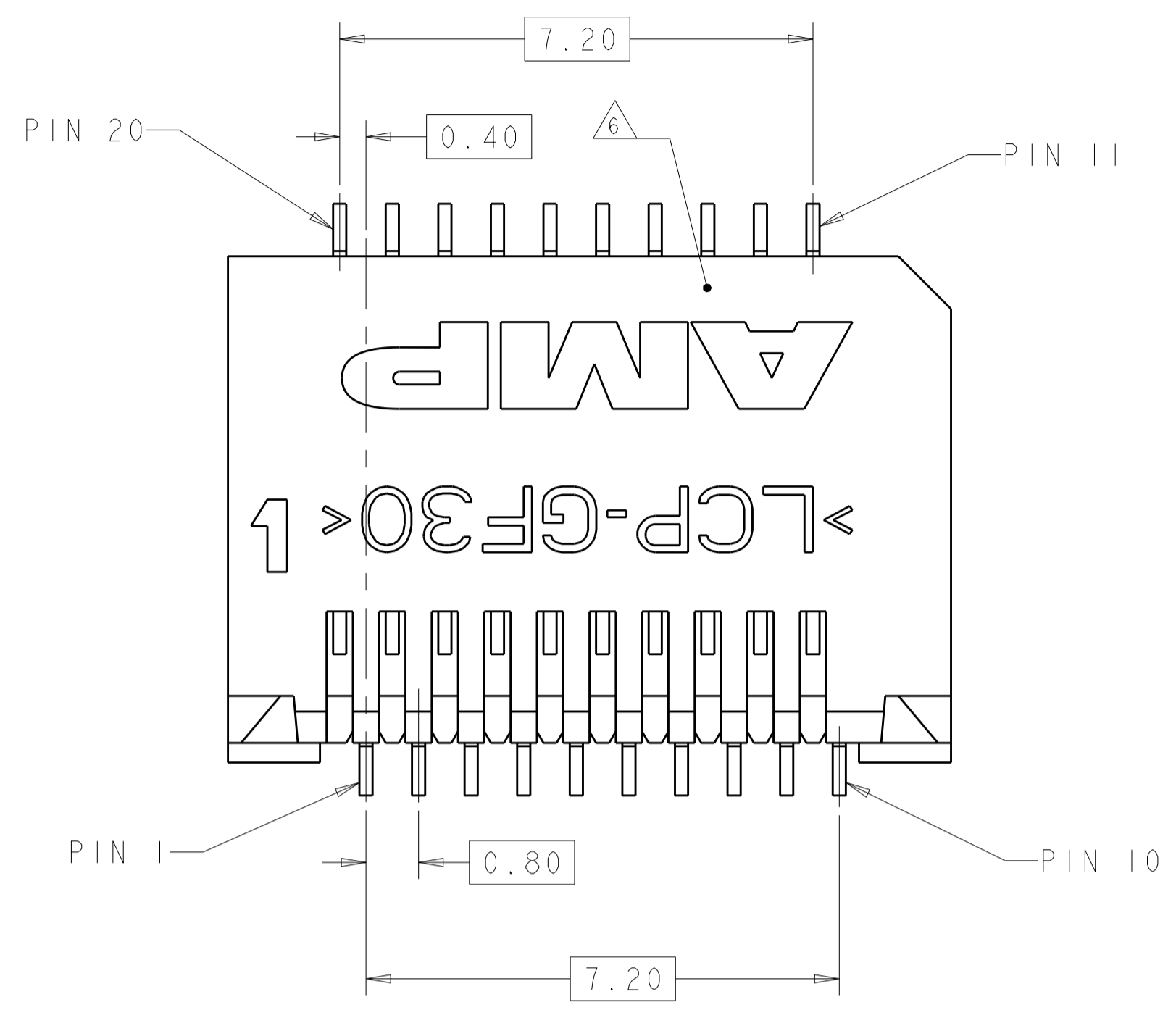


LOC		DIST		REVISIONS				
ES	00	P	LTN	DESCRIPTION	DATE	DWN	APVD	
		L		REVISED PER ECO-15-018066	16DEC2015	PP	SH	
		M		UPDATE NICKEL PLATING AND ADD NOTE 8	20JUN2017	JW	SH	
		N		REVISED PER ECR-19-009785	24JUN2019	IT	SH	
		N1		DIM MARKS CHANGE; ADD PN -7	10JUN2020	IT	SH	



DETAIL H
SCALE 25:1

- 1 MATERIAL:
HOUSING: HIGH TEMPERATURE LCP, UL 94V-0 RATED, BLACK
CONTACTS: PHOSPHOR BRONZE.
- 2 FINISH:
CONTACTS: 0.00076 MIN GOLD ON CONTACT AREA, 0.00013 MIN GOLD ON SOLDER AREA. ALL OVER 0.00127 MIN NICKEL UNDERPLATE ON ENTIRE CONTACT. LUBRICANT ON GOLD PLATE CONTACT AREAS.
- 3. PACKAGED 480 PIECES PER REEL.
- 4 DATUMS AND BASIC DIMENSIONS TO BE ESTABLISHED BY CUSTOMER, SEE DRAWING 1367034 FOR LAYOUT WHEN USED WITH 1367034-1 BOTTOM CAGE (STANDARD SFP APPLICATION).
- 5 FINISH:
CONTACTS: 0.00038 MIN GOLD ON CONTACT AREA, 0.00013 MIN GOLD ON SOLDER AREA. ALL OVER 0.00127 MIN NICKEL UNDERPLATE ON ENTIRE CONTACT. LUBRICANT ON GOLD PLATE CONTACT AREAS.
- 6 PULL GROOVES PERMITTED ON THESE SURFACES AT MOLDING ENGINEERING DISCRETION
- 7 FOR ESD PROTECTION TAPE AND REEL PACKAGE ONLY. MATERIALS (COVER TAPE, EMBOSS TAPE, REEL, INNER LABEL ON REEL) USED WITH AN EPA AREA MUST PRIMARILY BE ELECTROSTATIC CONDUCTIVE OR ELECTROSTATIC DISSIPATIVE. NO MATERIAL SHOULD BE CHARGED UP TO MORE THAN 100 VOLTS.
- 8. TEMPERATURE RATING: -55°C TO 105°C
- 9 CUSTOMIZED PART NUMBER.

1888247-1,2,3,4,5,7 AS SHOWN

9	NO	2	1888247-7
7	NO	2	1888247-5
	YES	5	1888247-4
	YES	2	1888247-3
	NO	5	1888247-2
	NO	2	1888247-1
	DATE CODE	FINISH	PART NUMBER

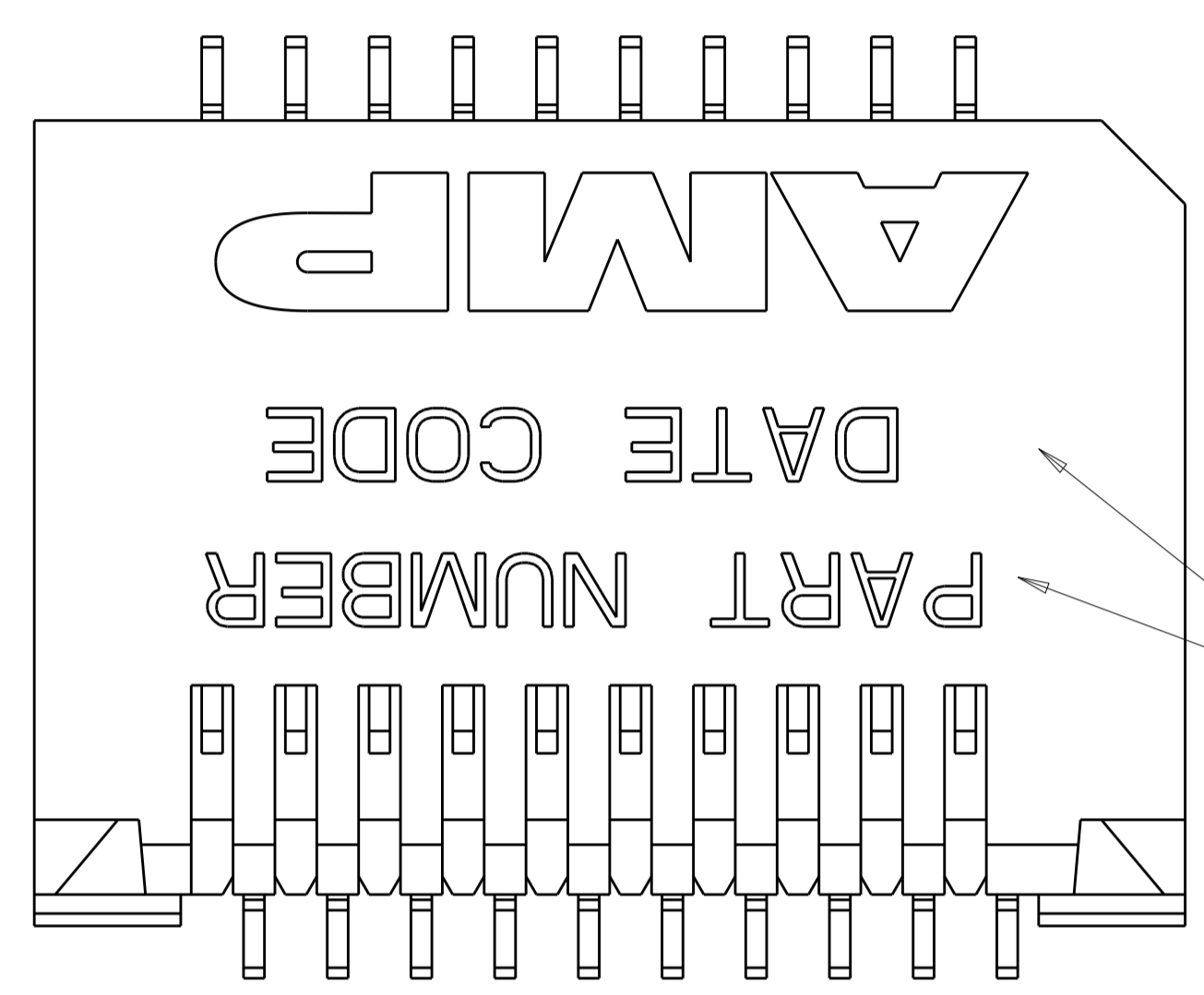
THIS DRAWING IS A CONTROLLED DOCUMENT.

DIMENSIONS:	TOLERANCES UNLESS OTHERWISE SPECIFIED:	DWN B. MCMASTER 14FEB06	CHG S. SHUEY 14FEB06	APVD S. SHUEY 14FEB06	NAME
mm	0 PLC ±0.20 1 PLC ±0.10 2 PLC ±0.10 3 PLC ±0.10 4 PLC ±0.10 ANGLES ±0.10	PRODUCT SPEC	108-1949	APPLICATION SPEC	PT CONNECTOR ASSEMBLY, 20 POS, RIGHT ANGLE, 0.8mm PITCH, SFP+
MATERIAL	FINISH	SIZE	CAGE CODE	DRAWING NO	RESTRICTED TO
		114-13017	A100779	C=1888247	
		WEIGHT	CUSTOMER DRAWING	SCALE	12:1
				SHEET	1 OF 4
				REV	1

STE TE Connectivity

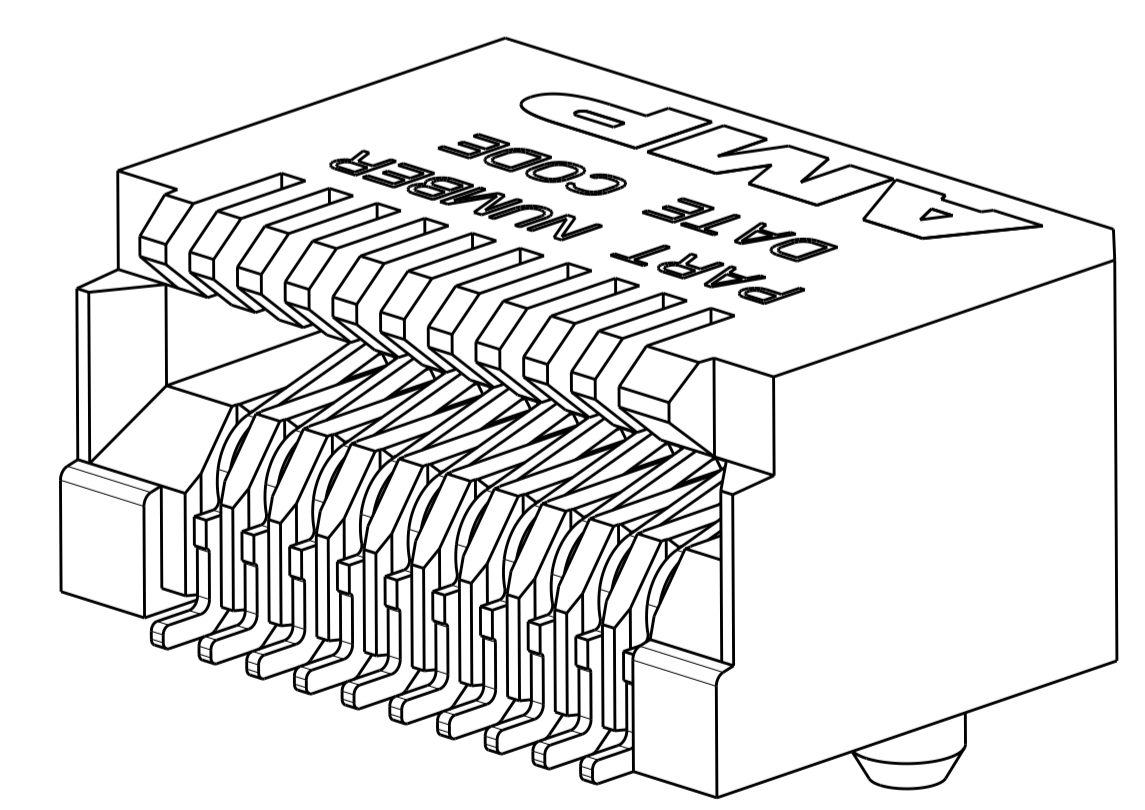
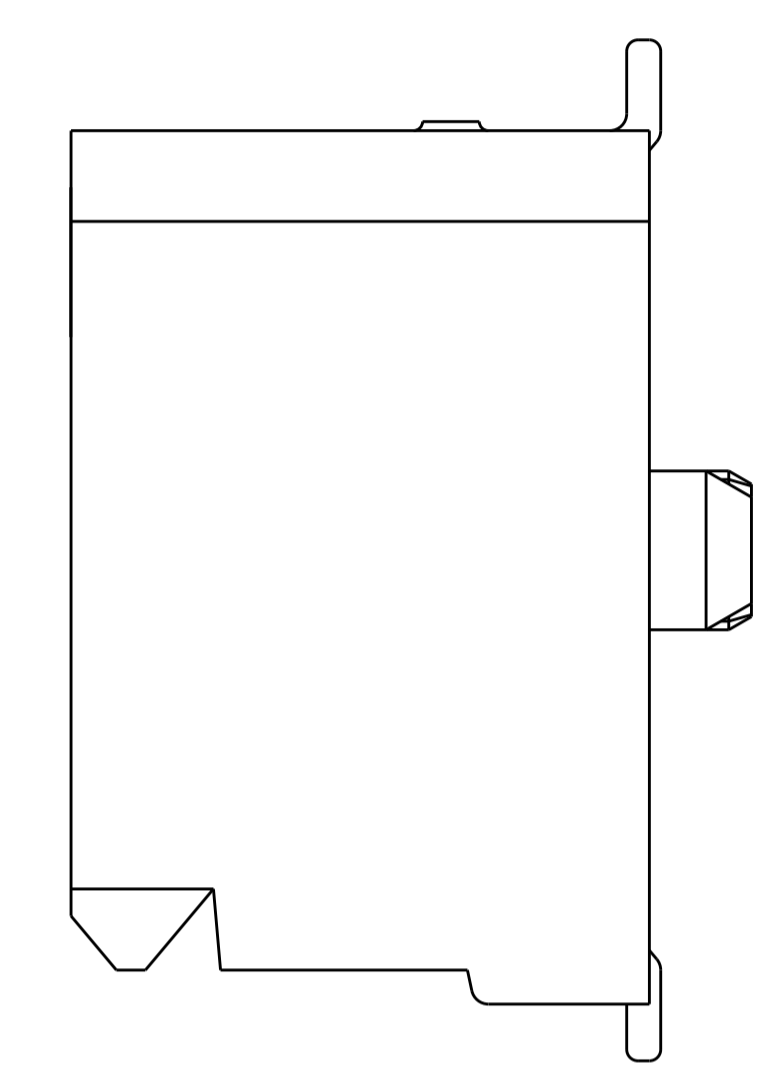
LOC		DIST		REVISIONS			
ES	00	P	LTH	DESCRIPTION	DATE	DNM	APVD
		-		SEE SHEET 1			

1888247-6 AS SHOWN
 PRINT PART NUMBER AND DATE CODE ON TOP
 ALL OTHERS SAME AS 1888247-2



PART NUMBER AND DATE CODE
 APPROXIMATE LOCATION

SCALE 15:1

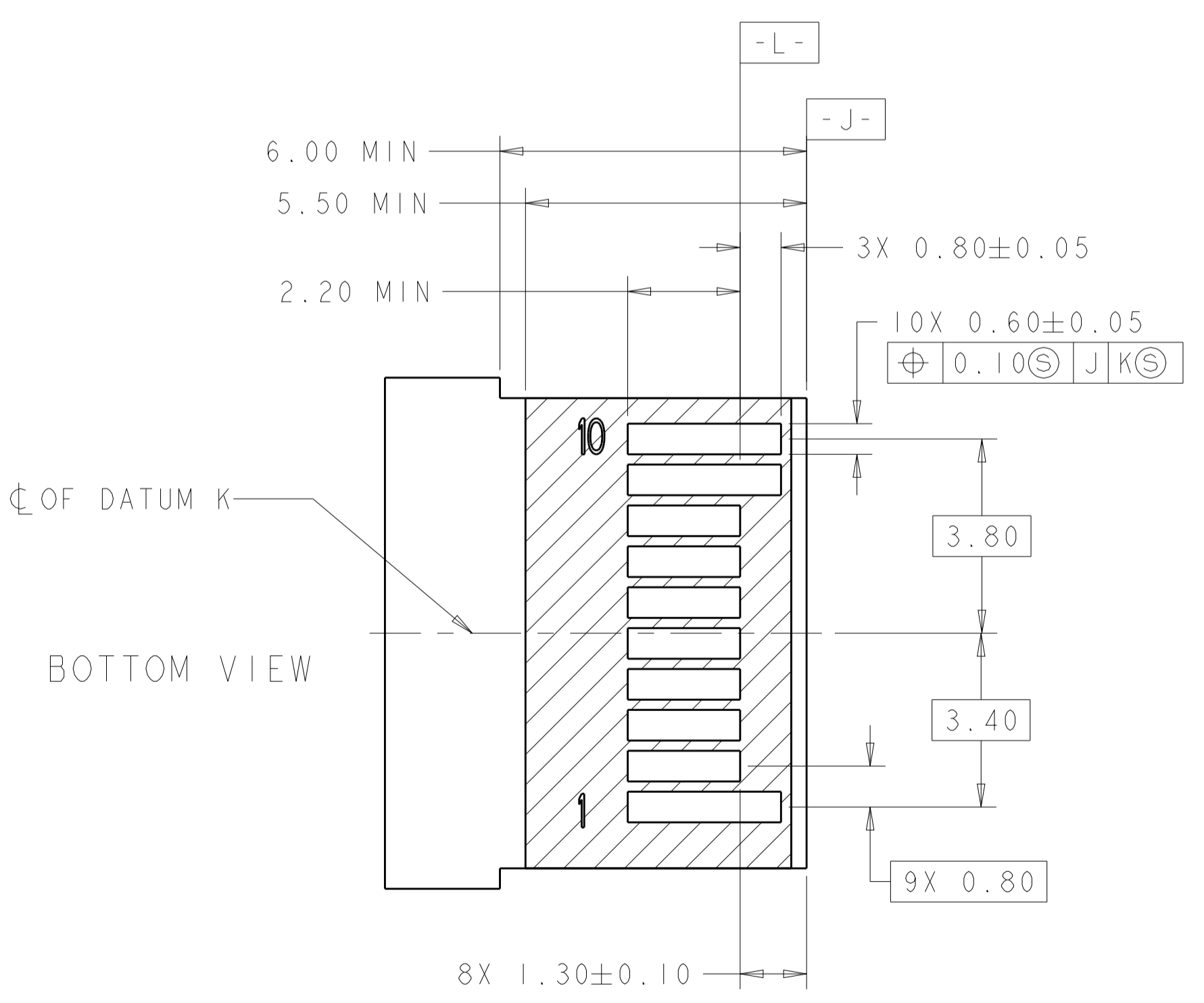
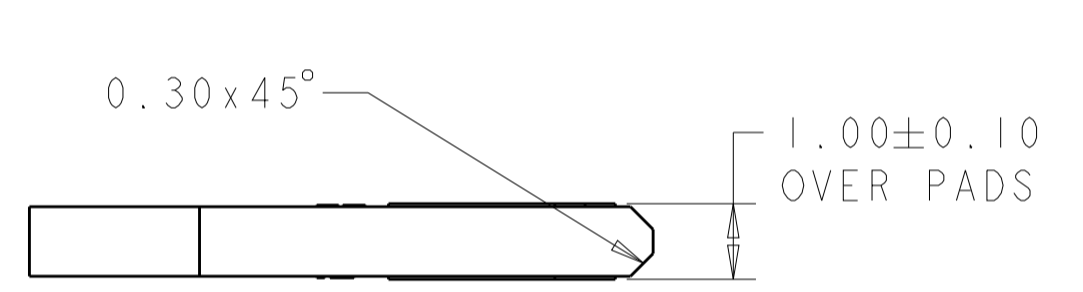
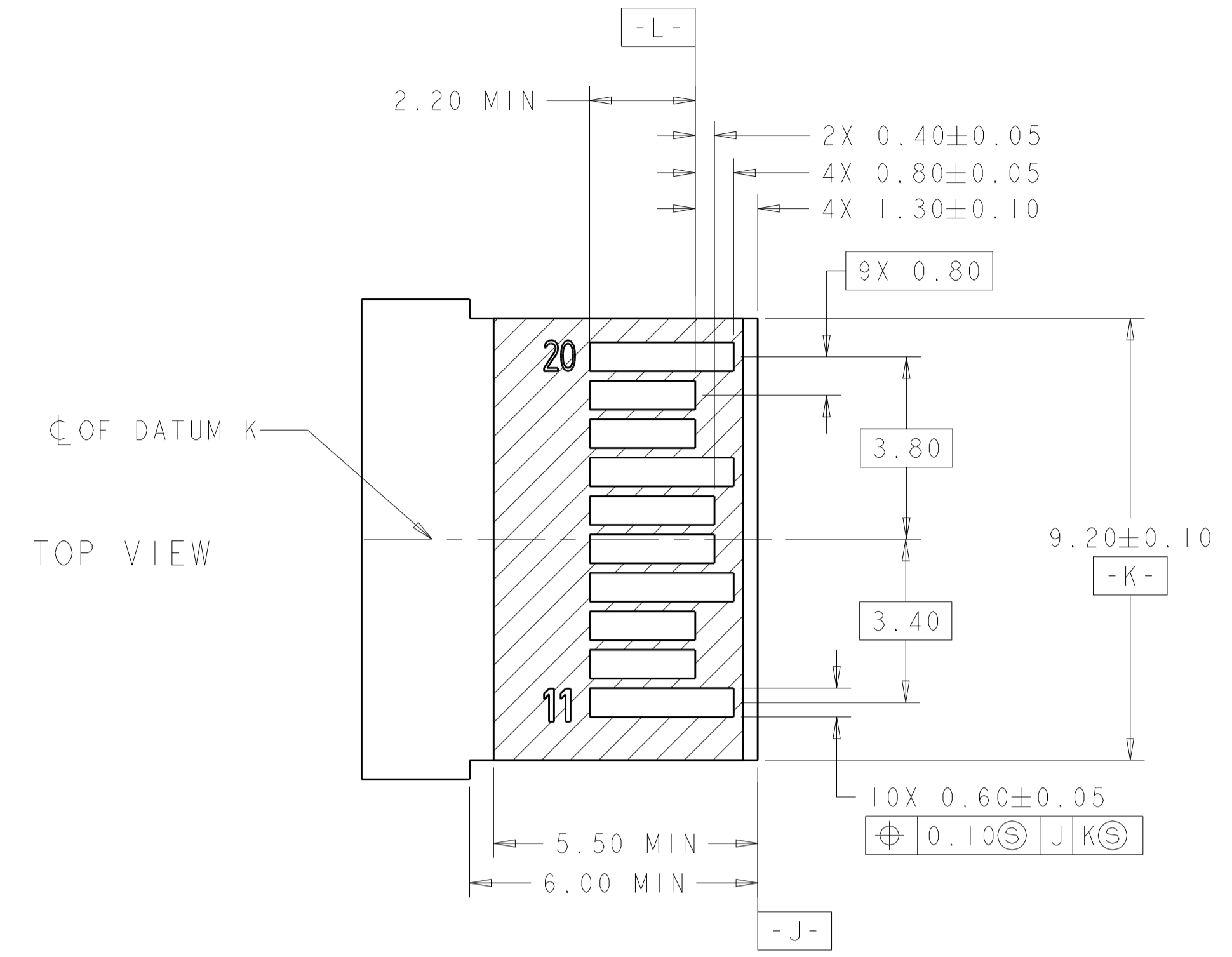


1888247-6 AS SHOWN

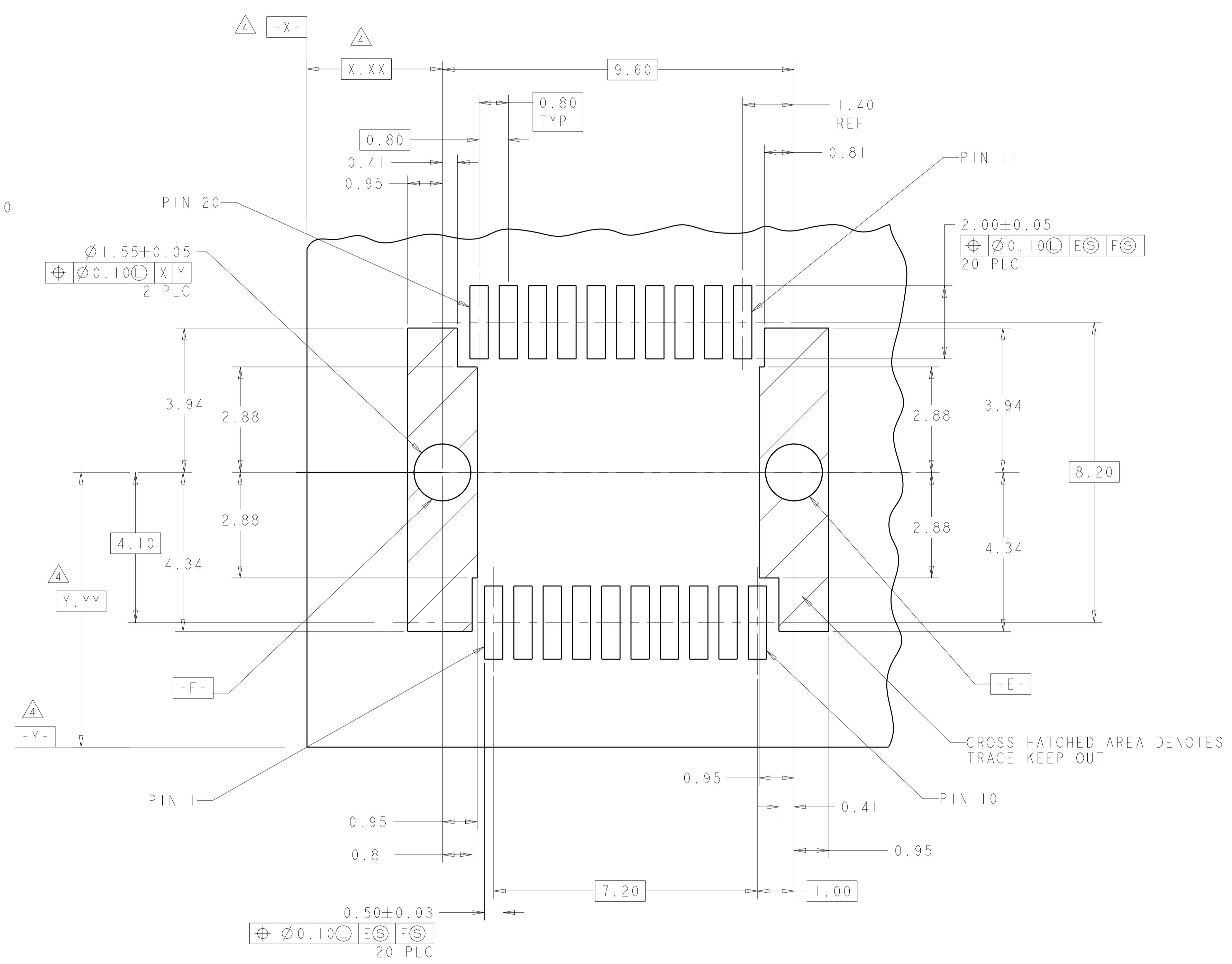
YES	YES	△	1888247-6
PART NUMBER	DATE CODE	FINISH	PART NUMBER

THIS DRAWING IS A CONTROLLED DOCUMENT.		DNM B. MCMASTER 14FEB06		NAME PT CONNECTOR ASSEMBLY, 20 POS, RIGHT ANGLE, 0.8mm PITCH, SFP+				
DIMENSIONS:		CHK S. SHUEY 14FEB06						
TOLERANCES UNLESS OTHERWISE SPECIFIED:		APVD S. SHUEY 14FEB06						
mm		PRODUCT SPEC						
0 PLC	±	108-1949	SIZE	CAGE CODE	DRAWING NO	RESTRICTED TO		
1 PLC	±0.10	APPLICATION SPEC	A1	00779	1888247			
2 PLC	±	114-13017	WEIGHT					
3 PLC	±							
4 PLC	±							
ANGLES	±							
FINISH								
MATERIAL		CUSTOMER DRAWING	SCALE	12:1	SHEET	2 OF 4	REV	N

LOC		DIST		REVISIONS			
ES	00	P	LTN	DESCRIPTION	DATE	DWN	APVD
		-		SEE SHEET 1			



RECOMMENDED LAYOUT DETAIL
 MATING TRANSCEIVER PCB
 SCALE 10:1

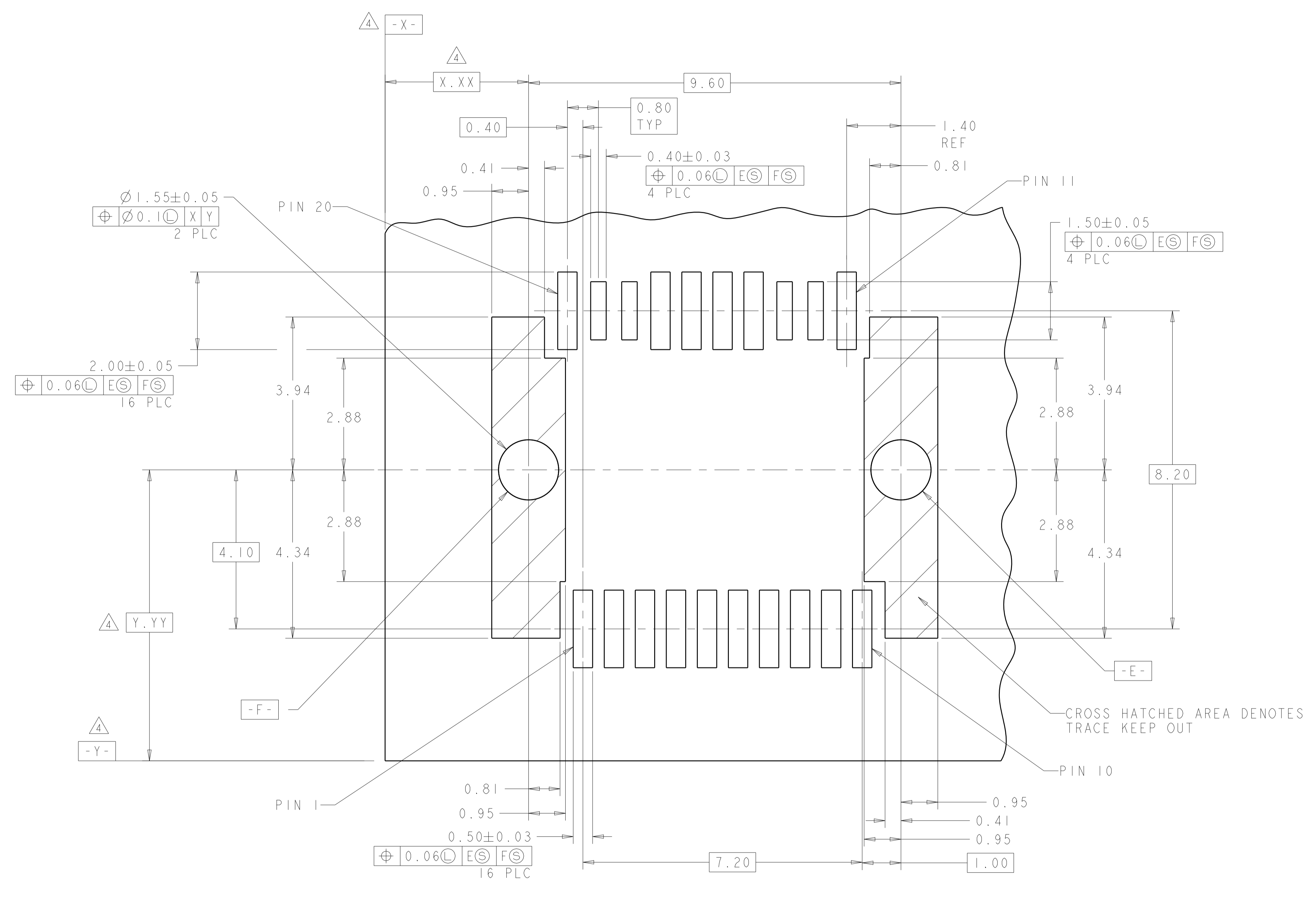


RECOMMENDED PCB LAYOUT DETAIL
 CONNECTOR MOUNTING SIDE
 SCALE 14:1

THIS DRAWING IS A CONTROLLED DOCUMENT.		DWN B. MCMASTER 14FEB06	14FEB06		TE Connectivity
DIMENSIONS: mm		CHK S. SHUEY 14FEB06	14FEB06		NAME
TOLERANCES UNLESS OTHERWISE SPECIFIED:		APVD S. SHUEY 14FEB06	14FEB06	PRODUCT SPEC	108-1949
0 PLC ±				APPLICATION SPEC	114-13017
1 PLC ±0.10				SIZE	A100779C=1888247
2 PLC ±				WEIGHT	
3 PLC ±				CUSTOMER DRAWING	SCALE 12:1 SHEET 3 OF 4 REV N1
4 PLC ±					
ANGLES ±					
FINISH					

LOC	DIST	REV	DATE	BY	APPV
ES	00				

REVISIONS					
REV	DATE	DESCRIPTION	BY	APPV	DATE
-	-	SEE SHEET 1	-	-	-



OPTIONAL LAYOUT FOR IMPROVED SIGNAL INTEGRITY, MOUNTING SIDE
 SCALE 16:1

THIS DRAWING IS A CONTROLLED DOCUMENT.		DWN B. MCMASTER 14FEB06	TE Connectivity
DIMENSIONS: mm		CHK S. SHUEY 14FEB06	
TOLERANCES UNLESS OTHERWISE SPECIFIED:		APVD S. SHUEY 14FEB06	NAME
0 PLC ±	1 PLC ±0.10	PRODUCT SPEC	PT CONNECTOR ASSEMBLY, 20 POS, RIGHT ANGLE, 0.8mm PITCH, SFP+
2 PLC ±	3 PLC ±	APPLICATION SPEC	
4 PLC ±	ANGLES ±	114-13017	SIZE CAGE CODE DRAWING NO
MATERIAL	FINISH	WEIGHT	RESTRICTED TO
			A100779C=1888247
CUSTOMER DRAWING		SCALE 12:1	SHEET 4 OF 4

X-ON Electronics

Largest Supplier of Electrical and Electronic Components

Click to view similar products for [I/O Connectors](#) category:

Click to view products by [TE Connectivity](#) manufacturer:

Other Similar products are found below :

[571763P](#) [72.250.1628.2](#) [72.250.2428.2](#) [74720-0505](#) [76.350.0729.0](#) [76871-1403](#) [FCN-244F080-G/1](#) [FCN-260A9920](#) [MP-5T180MUNNA-005](#)
[PCR-E36PM](#) [PCS-XE26MA+](#) [G38A71314B](#) [1571250010](#) [157-22500-3](#) [MS3471L14-19P L/C](#) [91-569786-35H](#) [172501-4002](#) [172501-6002](#)
[FCN-260C008-A/L0](#) [FCN-260C024-AL0](#) [FCN-261Z008](#) [2000314-1](#) [200331-1](#) [PCR-E36FC+](#) [PCS-E28FS+](#) [PCS-XE26SLFD+](#) [PCS-](#)
[XE26SLFDT+](#) [G730VID08BDC24](#) [U90B2054081210](#) [UE86K842720321](#) [38113800006](#) [DP3AR020WQ1R200](#) [Z4.102.0680.0](#) [500-1040](#)
[500-1052](#) [500-1054](#) [ZP-4008-66L](#) [0709821002](#) [10-565995-597N](#) [DX40-20P\(55\)](#) [5554841-1](#) [MS3474W18-8P-LC*](#) [U90B3054061110](#) [U65-](#)
[E04-4020](#) [ZPF000000000097891](#) [557-262M2-06C](#) [747360449](#) [10099439-003C-TRLF](#) [10137239-0021LF](#) [E9320-001-01](#)