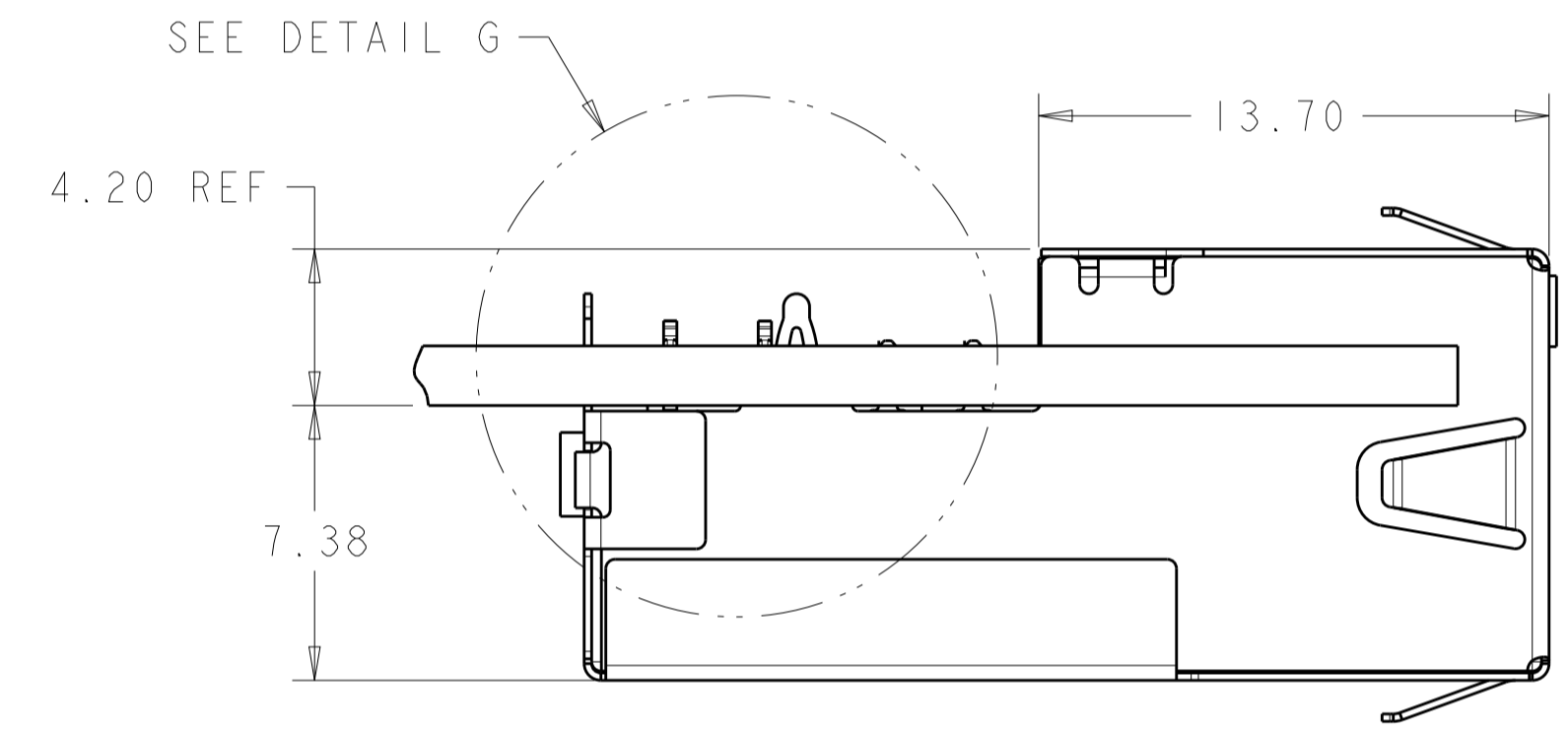
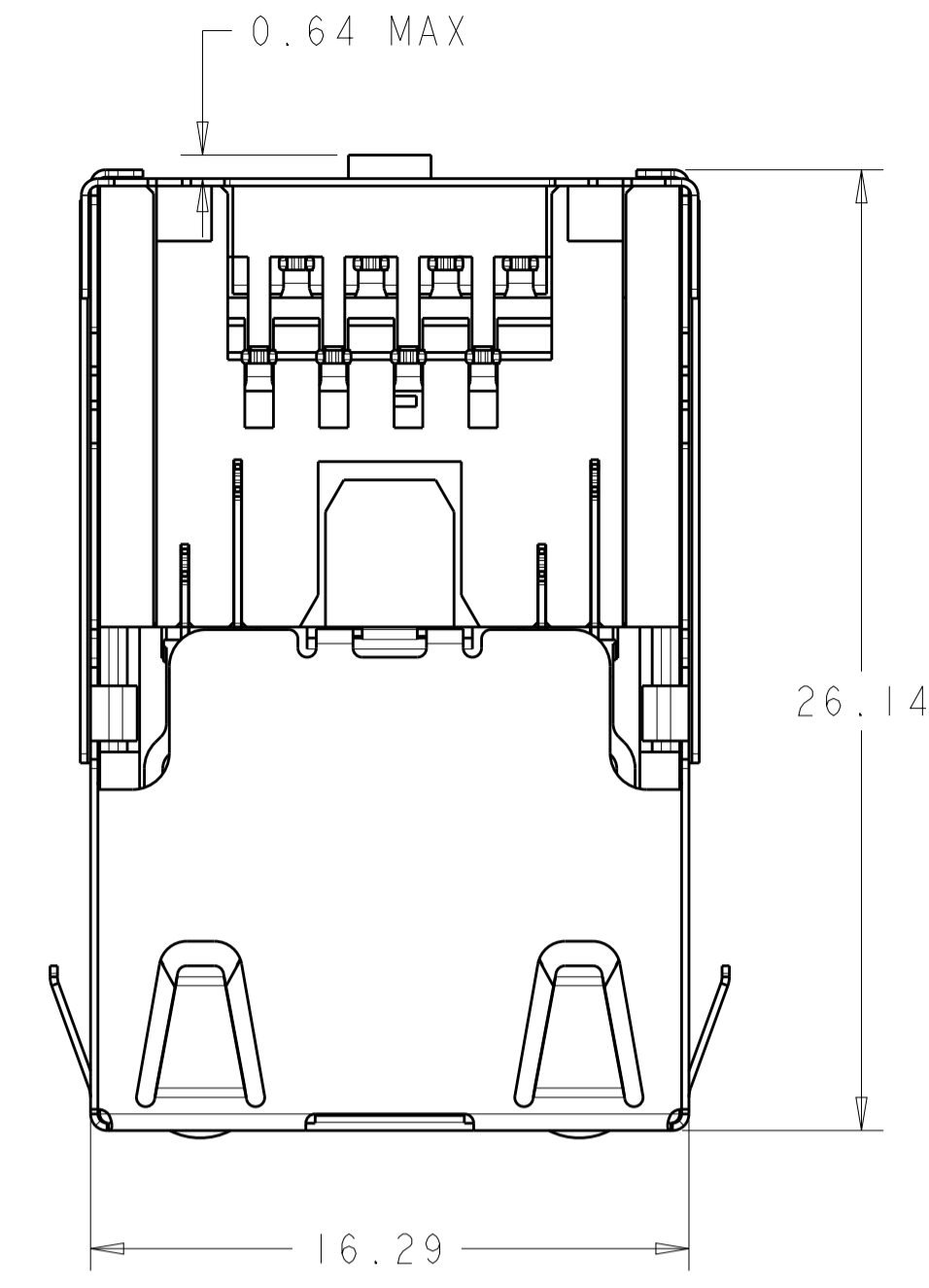
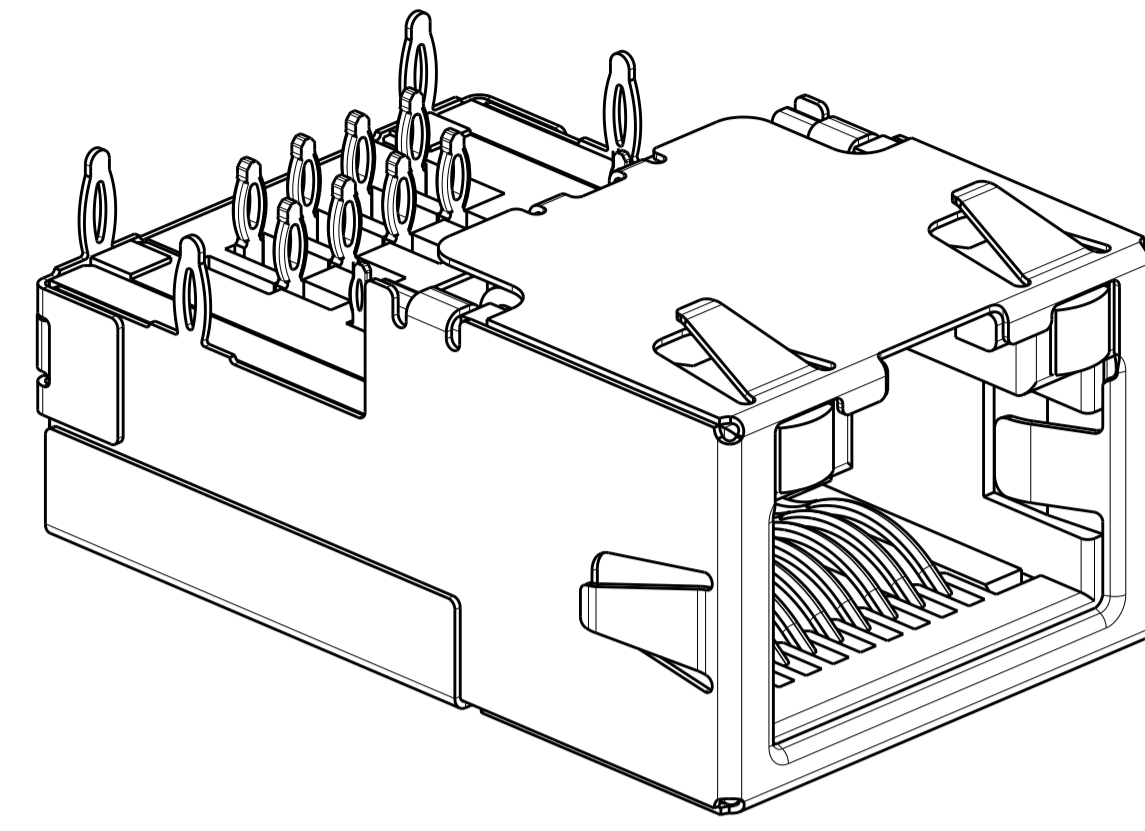
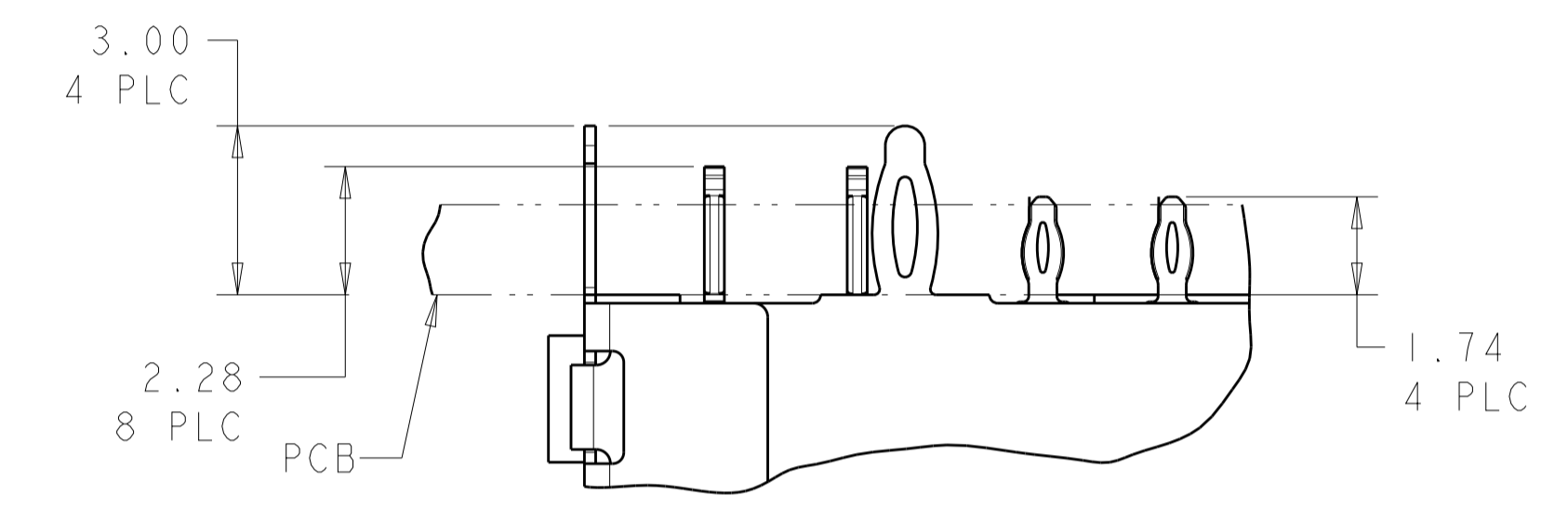
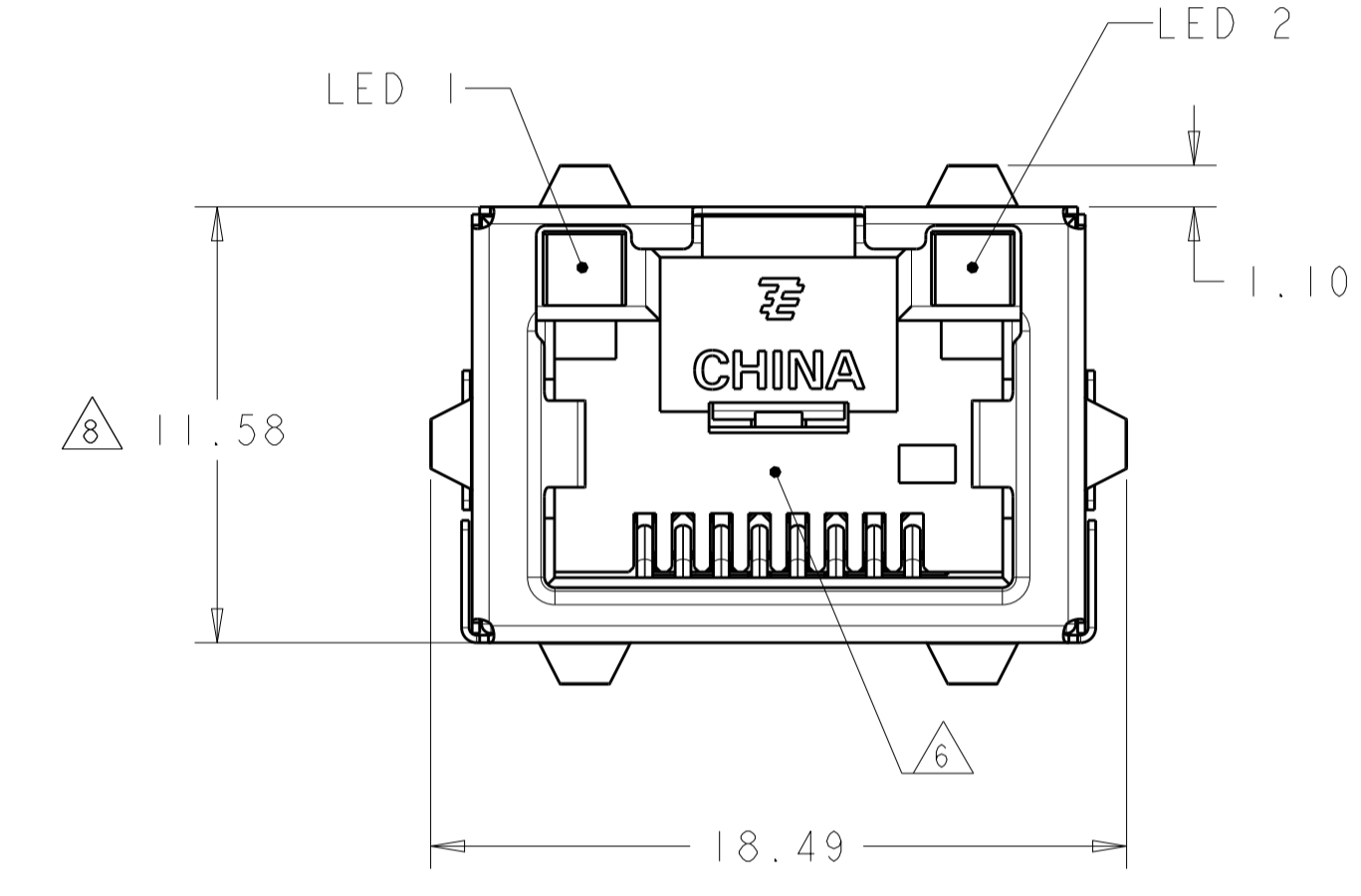


LOC	DIST	REVISIONS				
AA	00	P. LTH	DESCRIPTION	DATE	DWN	APVD
		B5	ECR-11-009822	11MAY2011	JJ	MOW
		C	ECR-12-002445	09FEB2012	JJ	AC
		D	ECO-18-005828	27MAR2018	LL	SH

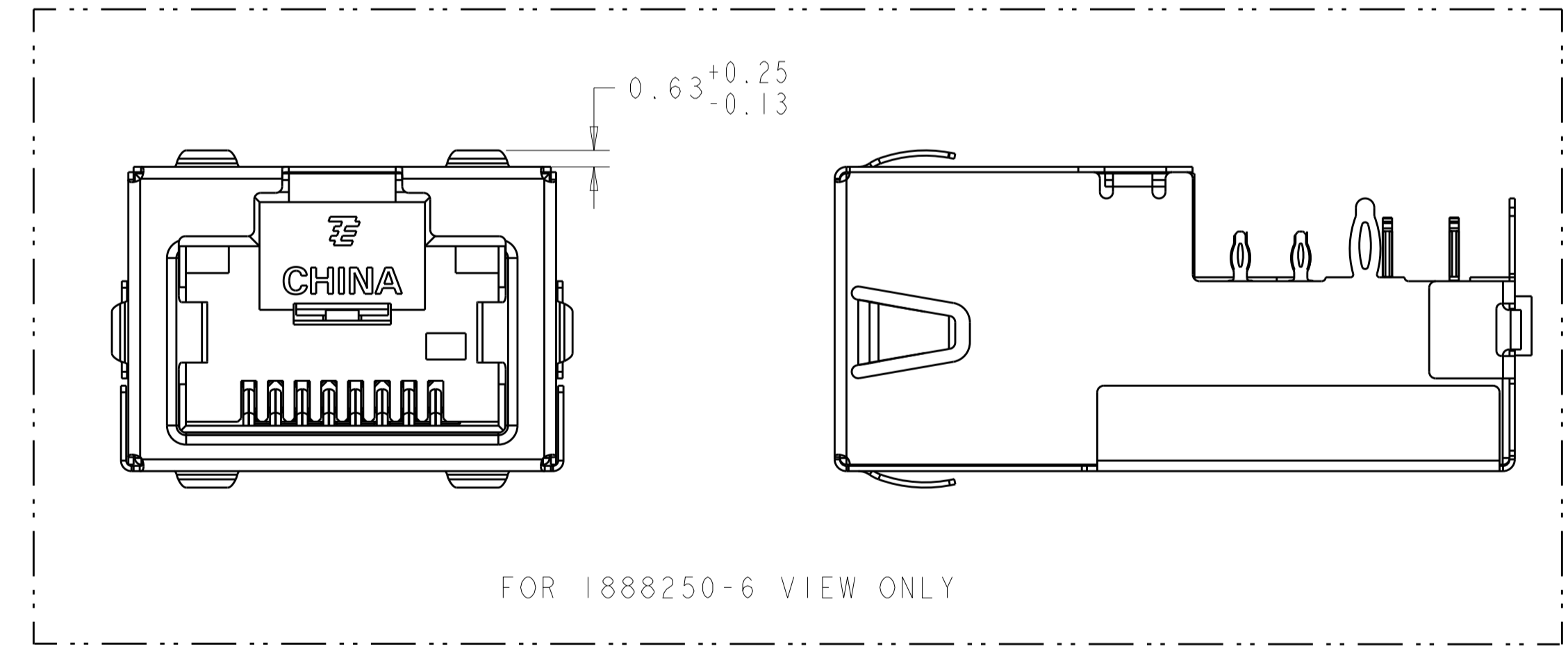
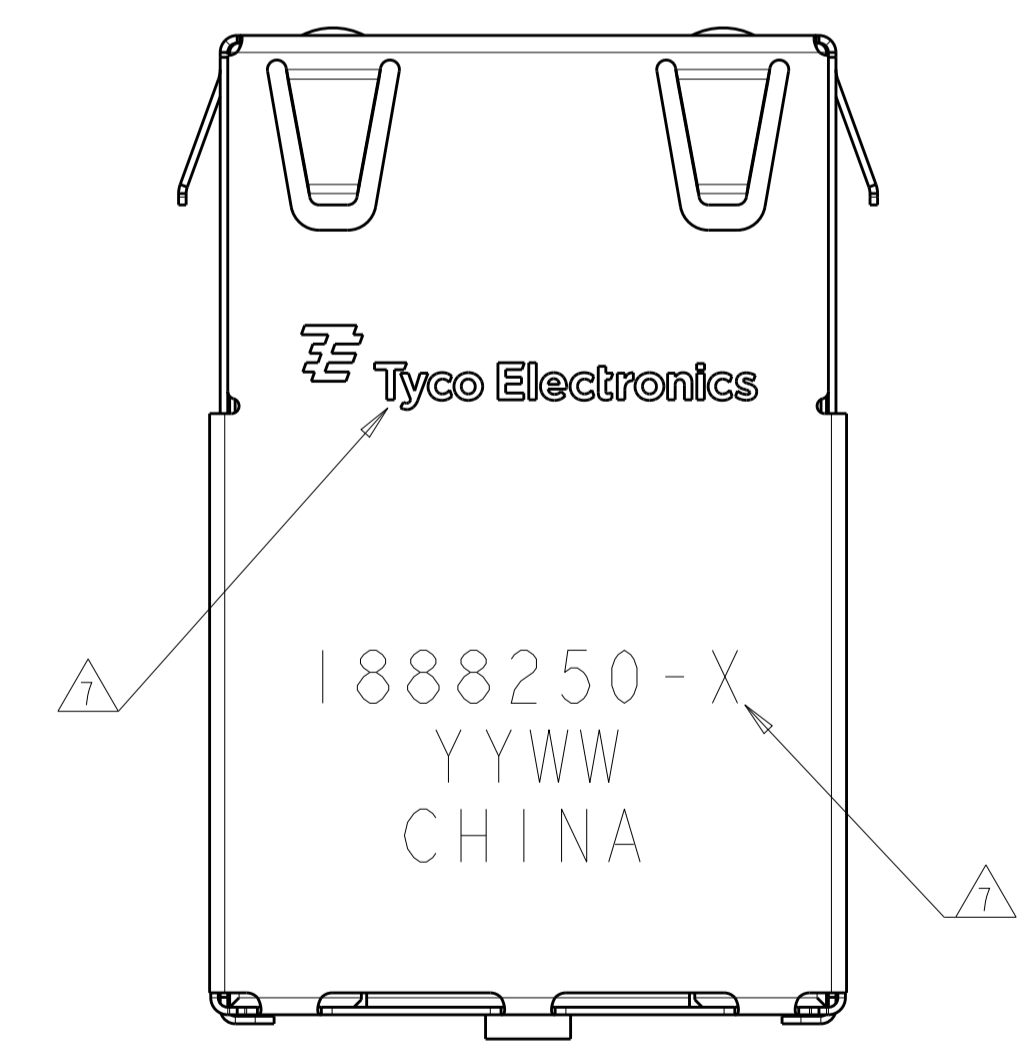


VIEW SHOWN ASSEMBLED TO PCB ONLY



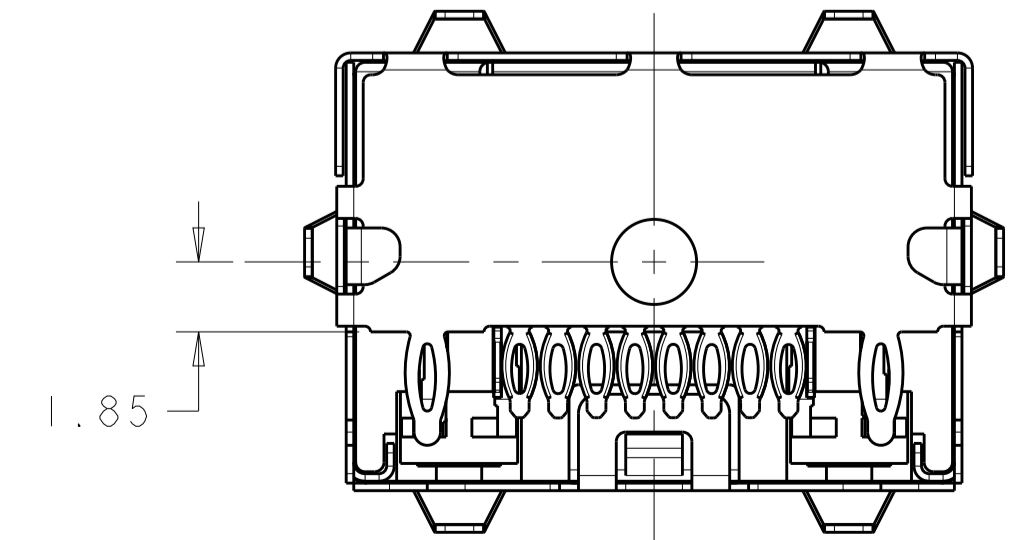
DETAIL G SCALE 8:1

- MATERIALS:
HOUSING: BLACK THERMOPLASTIC, 94V-0.
SHIELD: COPPER ALLOY WITH 0.76µm MIN NICKEL PLATE
CONTACTS: PHOSPHOR BRONZE WITH 1.27µm MIN GOLD AT MATING INTERFACE OVER 1.27µm MIN NICKEL UNDERPLATE.
 - PERFORMANCE:
INSERTION LOSS: 0.4dB @ 100 MHz.
RETURN LOSS: 12.0dB @ 100 MHz.
CROSSTALK ATTENUATION: -43dB MINIMUM @ 100 MHz
CURRENT: 0.6 AMPERE MAXIMUM PER SINGAL CONTACT.
 - LED'S COMPLIANT WITH IEC60825-1 SAFETY OF LASER PRODUCTS WHEN OPERATED AT CURRENT OF 20mA.
 - ALL DIMENSIONS NOMINAL.
 - RECOMMENDED MOTHERBOARD PCB THICKNESS: 1.60±0.16.
- △ RJ45 PORT CONFORMS TO FCC RULES AND REGULATIONS PART 68 SUB-PART F.
- △ TE LOGO, PART NUMBER, DATE CODE AND COUNTRY OF ORIGIN TO BE MARKED IN APPROXIMATE LOCATION SHOWN.
- △ THIS DIMENSION MEETS THE ADVANCED MEZZANINE CARD (AMC) SPECIFICATION.
- △ PIN 9,10,11,12 ARE LED LEAD PINS, For 1888250-3, NO LED INTEGRATED, HOLES ON PCB FOR THESE PINS ARE ONLY OPTIONAL.
- △ LED WAVELENGTH FOR THE PN 1888250-7:
GREEN: 520nm ~ 525nm; YELLOW: 590nm ± 5nm.



FOR 1888250-6 VIEW ONLY

LED #1	LED #2	PART NUMBER
GRN/YEL	GRN/YEL	1888250-7
-	-	1888250-6
YELLOW	GREEN	1888250-5
GREEN	GREEN	1888250-4
-	-	1888250-3
GRN/YEL	GRN/YEL	1888250-2
GREEN	YELLOW	1888250-1



THIS DRAWING IS A CONTROLLED DOCUMENT. DWN: MS/L.A.MAYER 15FEB2008
CHK: J.WESTMAN 15FEB2008
APVD: S.FLICKINGER 15FEB2008

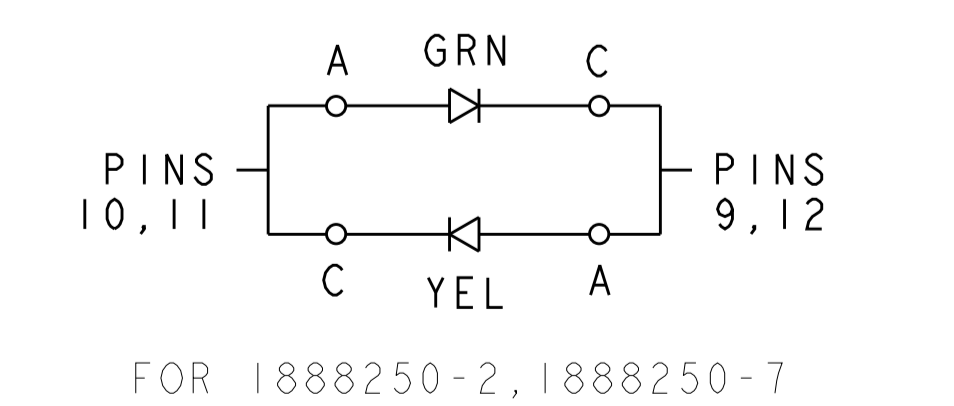
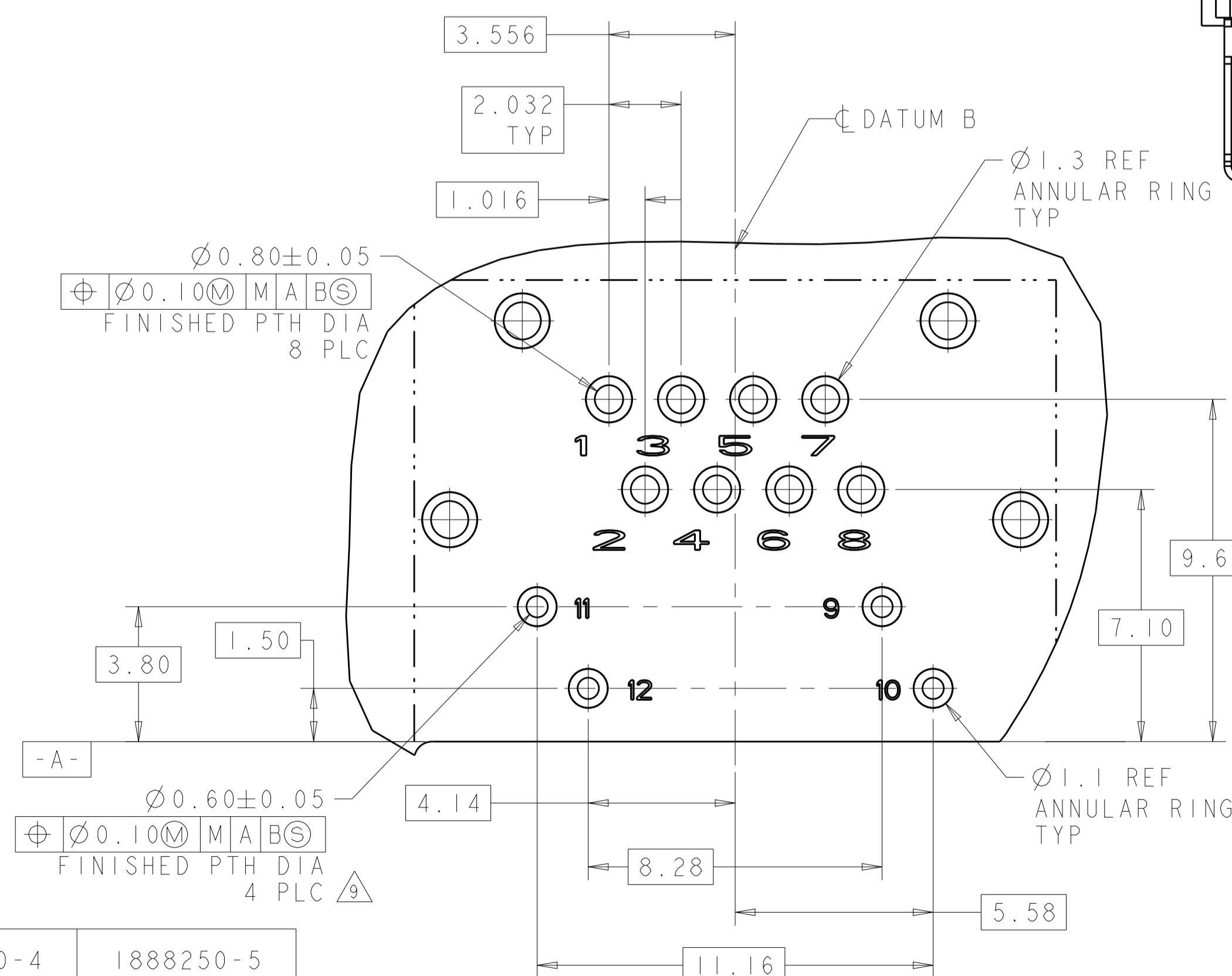
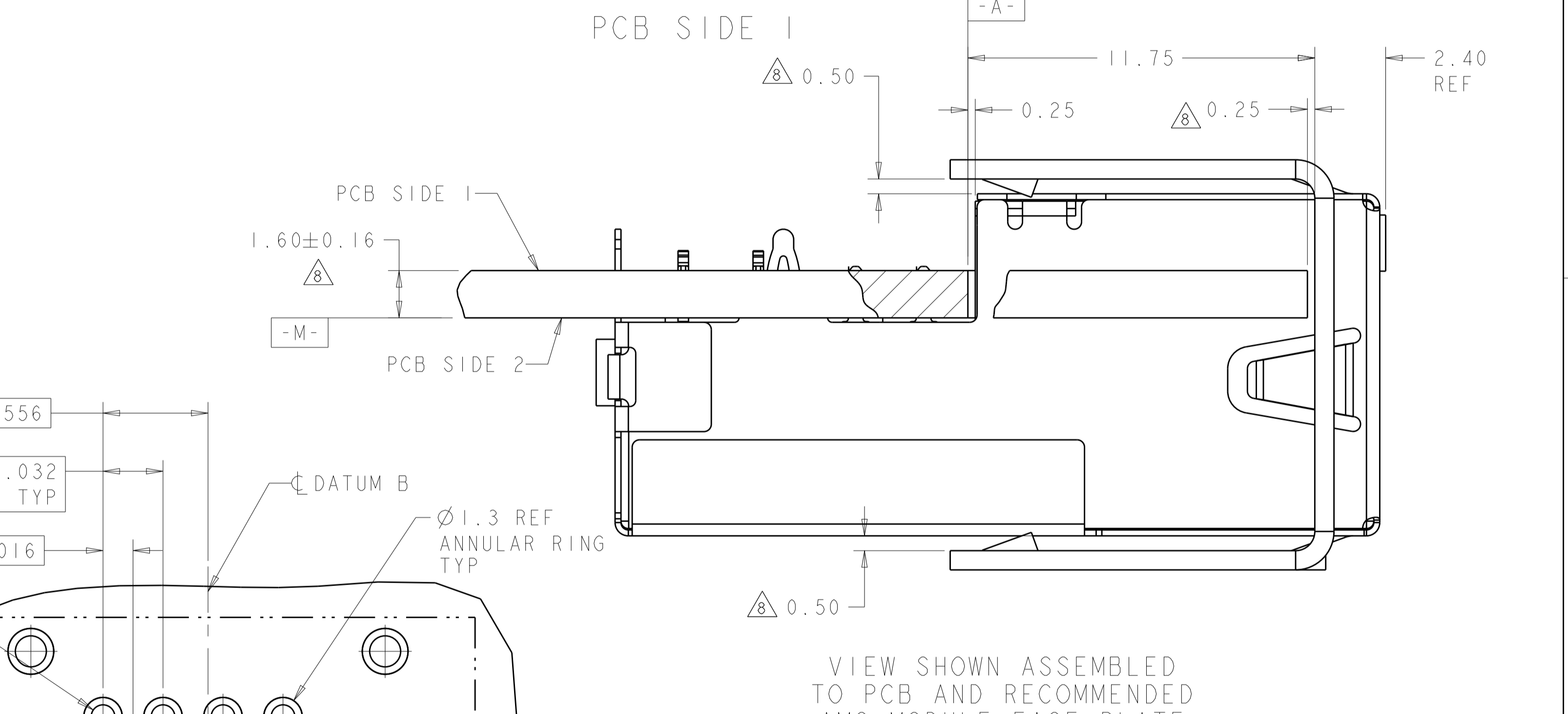
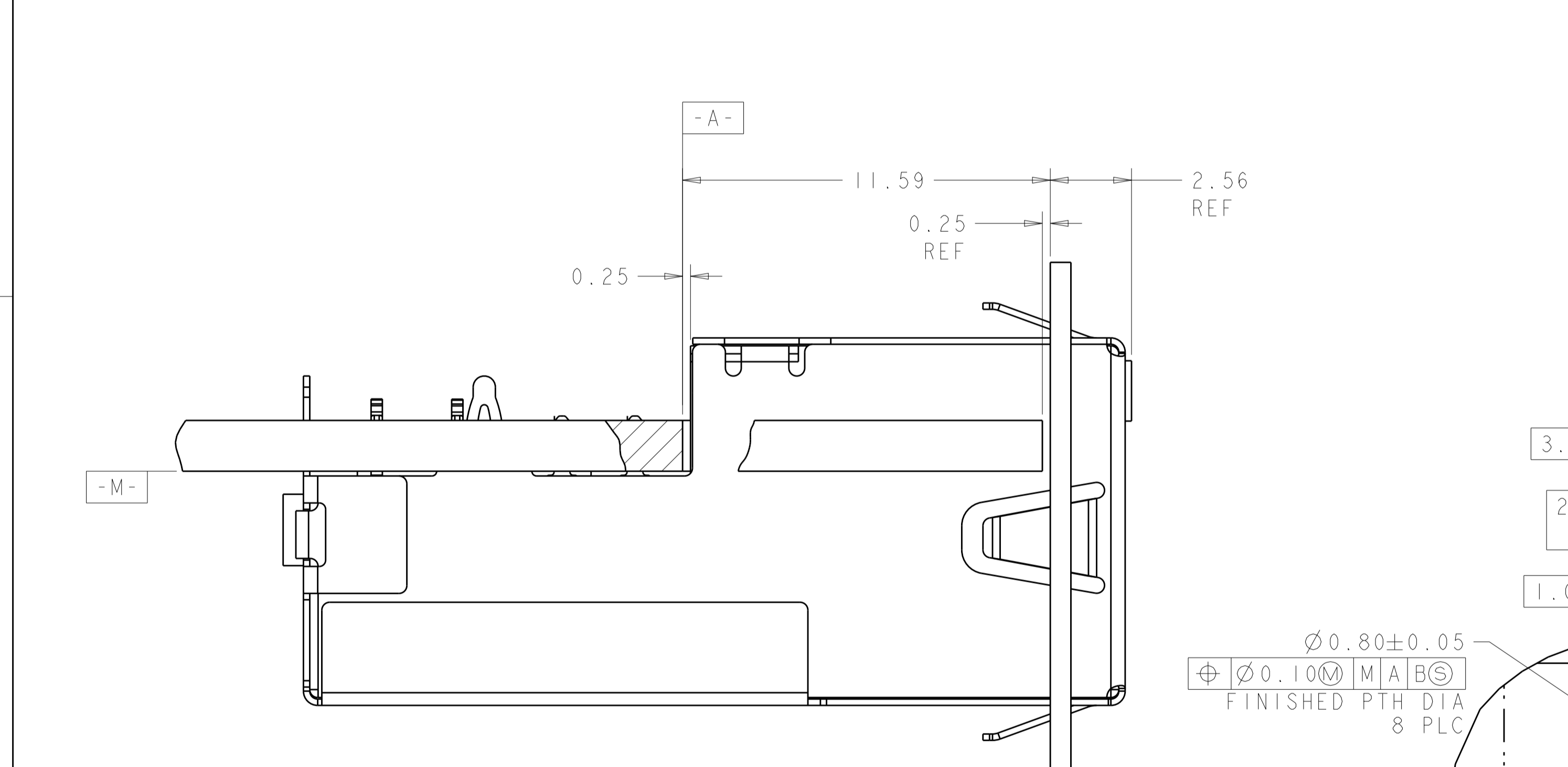
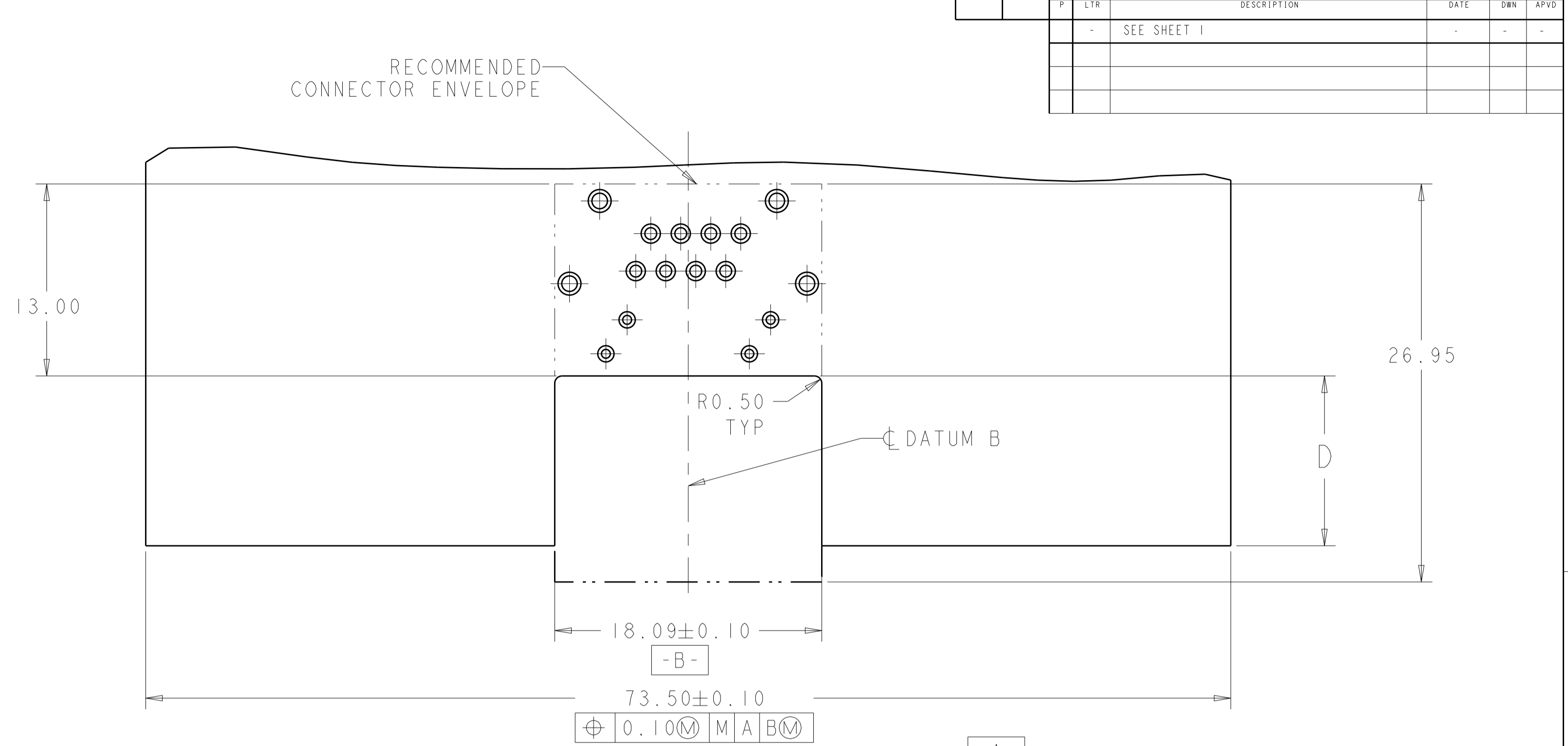
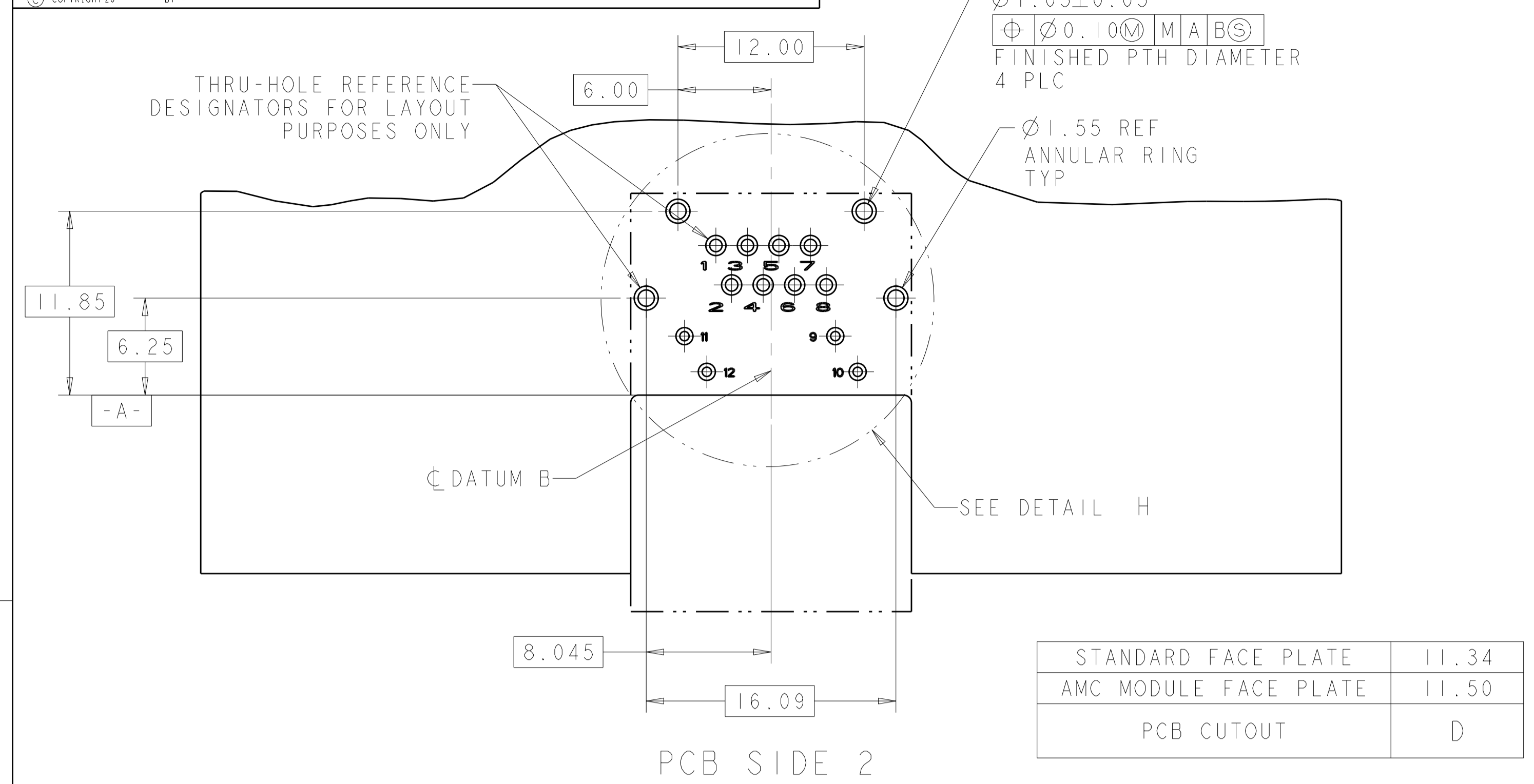
TE Connectivity

CONNECTOR ASSEMBLY, LOW PROFILE, PRESS FIT, MODULAR JACK, 1X1, RJ45

SIZE: 108-2274 APPLICATION SPEC
114-13179

SCALE: 5:1 SHEET 1 OF 3 REV D

LOC		DIST		REVISIONS			
P	LTN	DESCRIPTION	DATE	DMN	APVD		
-	-	SEE SHEET 1	-	-	-		



	PIN #	1888250-1	1888250-2 1888250-7	1888250-3 1888250-6	1888250-4	1888250-5
LED 1	9	CATHODE (-)	ANODE (YEL), CATHODE (GRN)	-	CATHODE (-)	CATHODE (-)
	10	ANODE (+)	ANODE (GRN), CATHODE (YEL)	-	ANODE (+)	ANODE (+)
LED 2	11	ANODE (+)	ANODE (GRN), CATHODE (YEL)	-	ANODE (+)	ANODE (+)
	12	CATHODE (-)	ANODE (YEL), CATHODE (GRN)	-	CATHODE (-)	CATHODE (-)

THIS DRAWING IS A CONTROLLED DOCUMENT.

DMN: MS/L.A.MAYER 15FEB2008
 CHK: J.WESTMAN 15FEB2008
 APVD: S.FLICKINGER 15FEB2008

NAME: CONNECTOR ASSEMBLY, LOW PROFILE, PRESS FIT, MODULAR JACK, IX1, RJ45

PRODUCT SPEC: 108-2274
 APPLICATION SPEC: 114-13179

SIZE: A1
 CAGE CODE: 100779
 DRAWING NO: 1888250

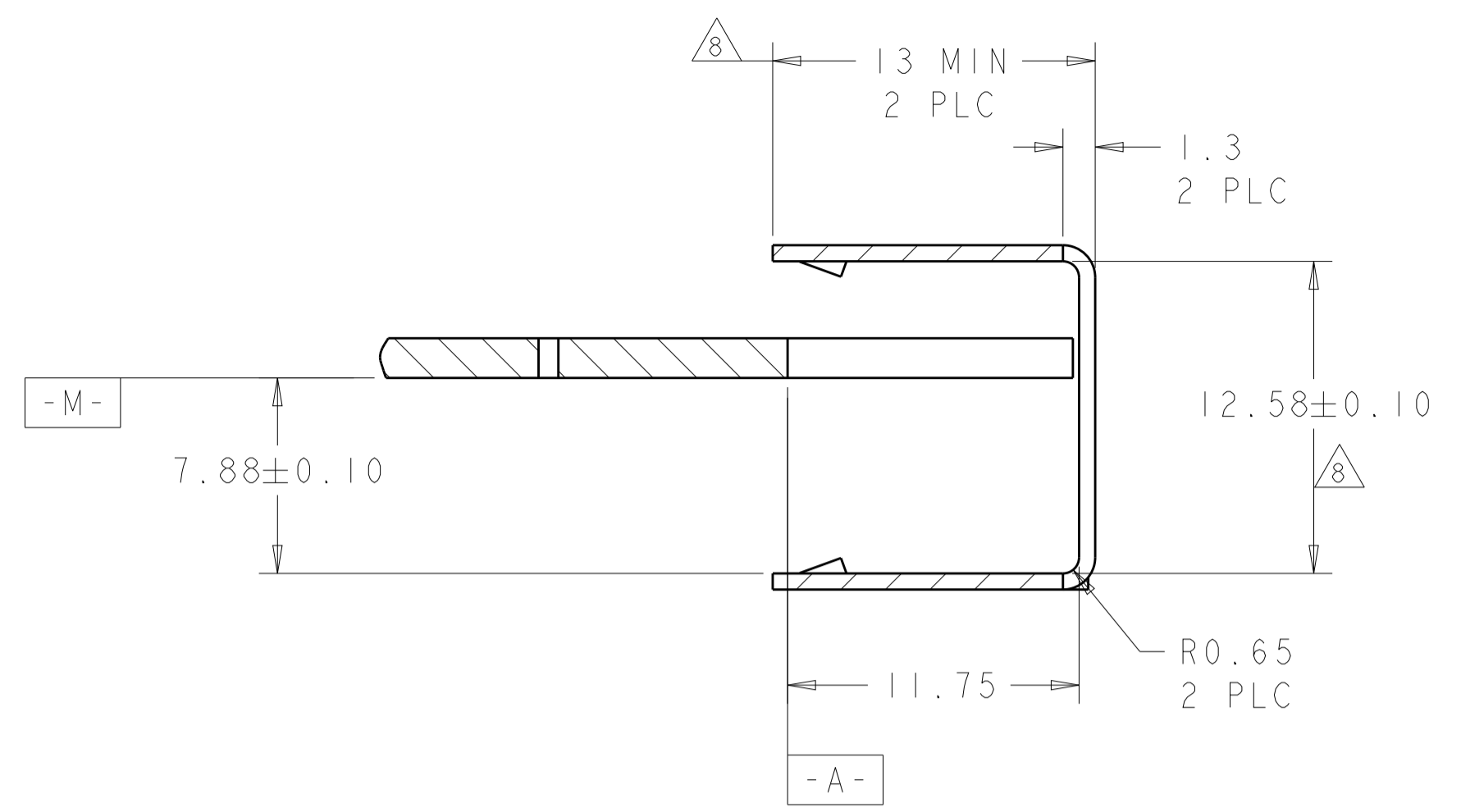
RESTRICTED TO: -

MATERIAL: SEE NOTE 1
 FINISH: SEE NOTE 1

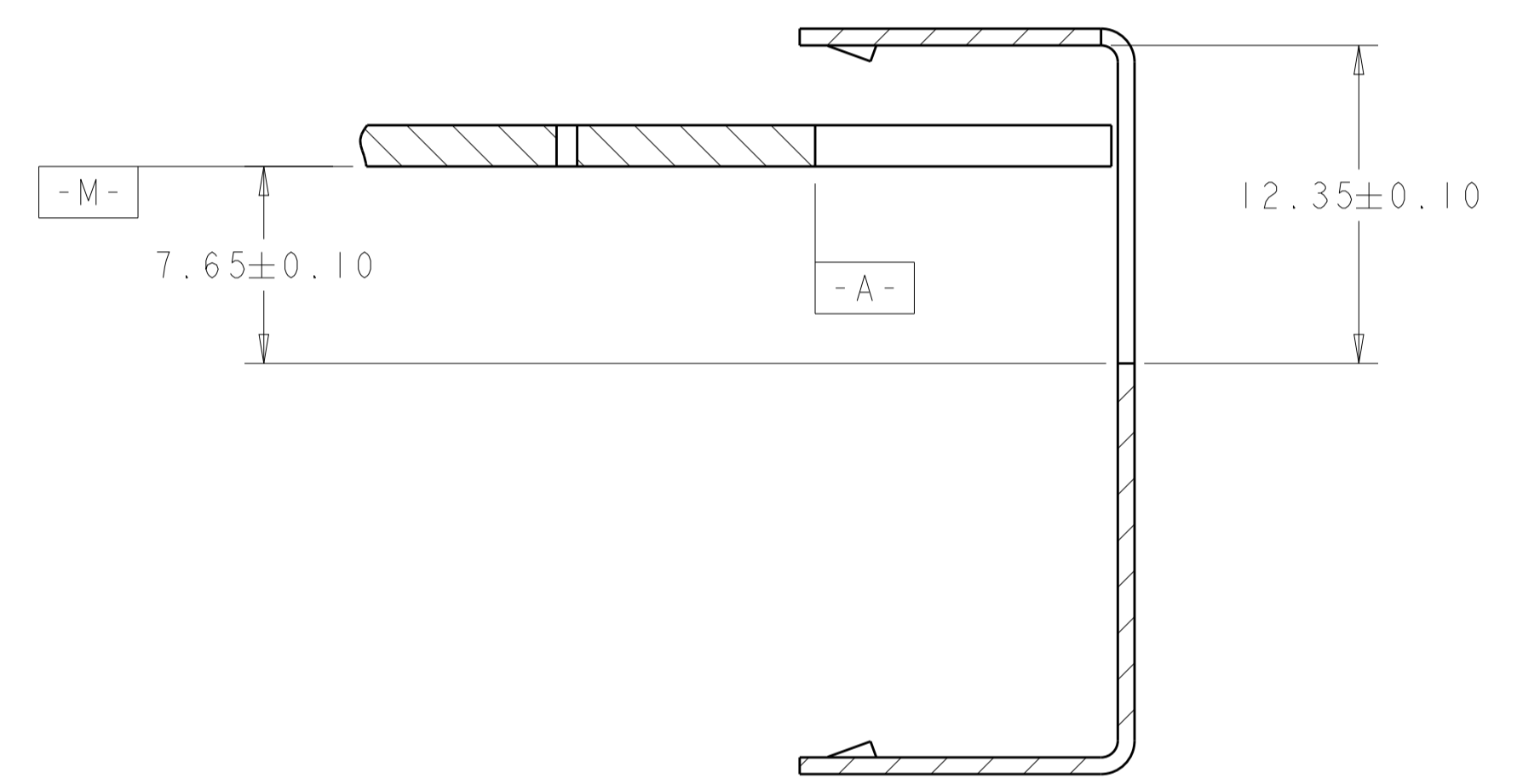
WEIGHT: -
 CUSTOMER DRAWING

SCALE: 5:1
 SHEET: 2 OF 3
 REV: D

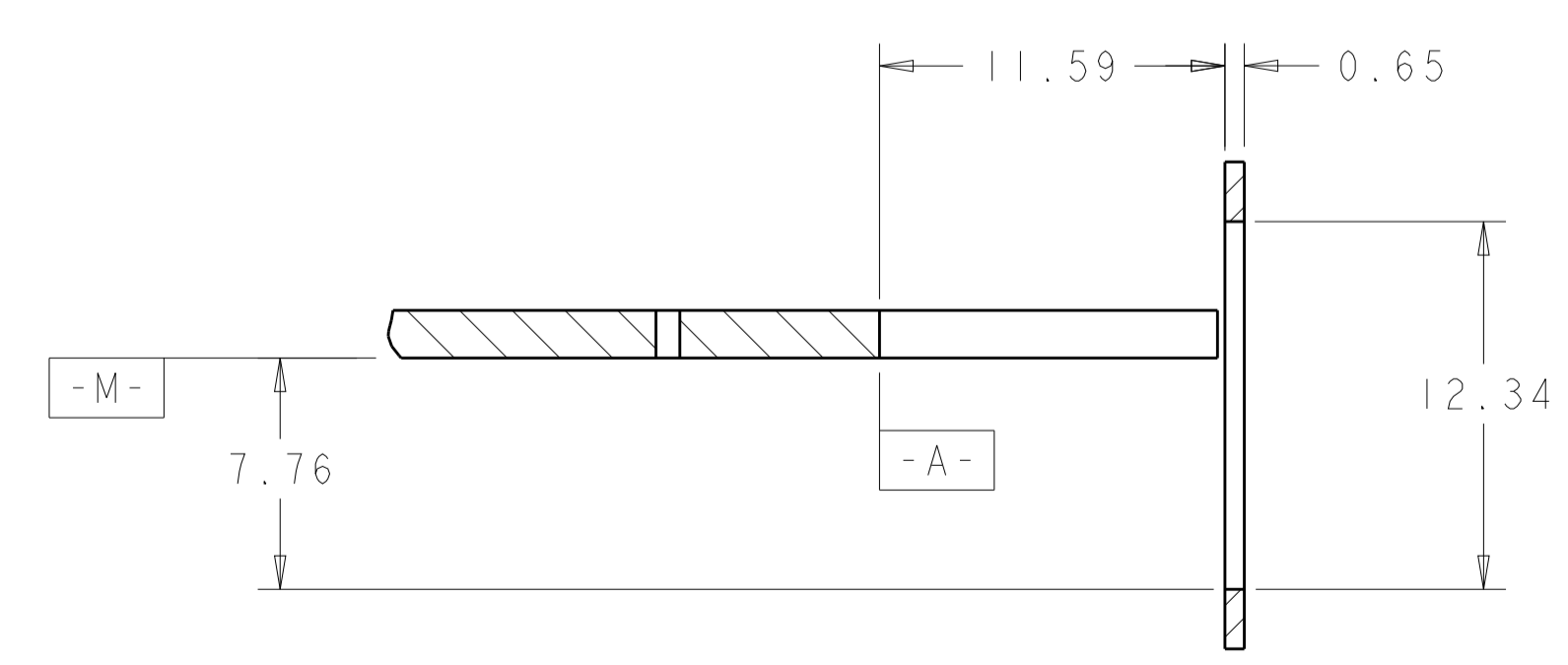
LOC		DIST		REVISIONS			
P.	LTN	DESCRIPTION	DATE	DWN	APVD		
-	-	SEE SHEET 1	-	-	-		



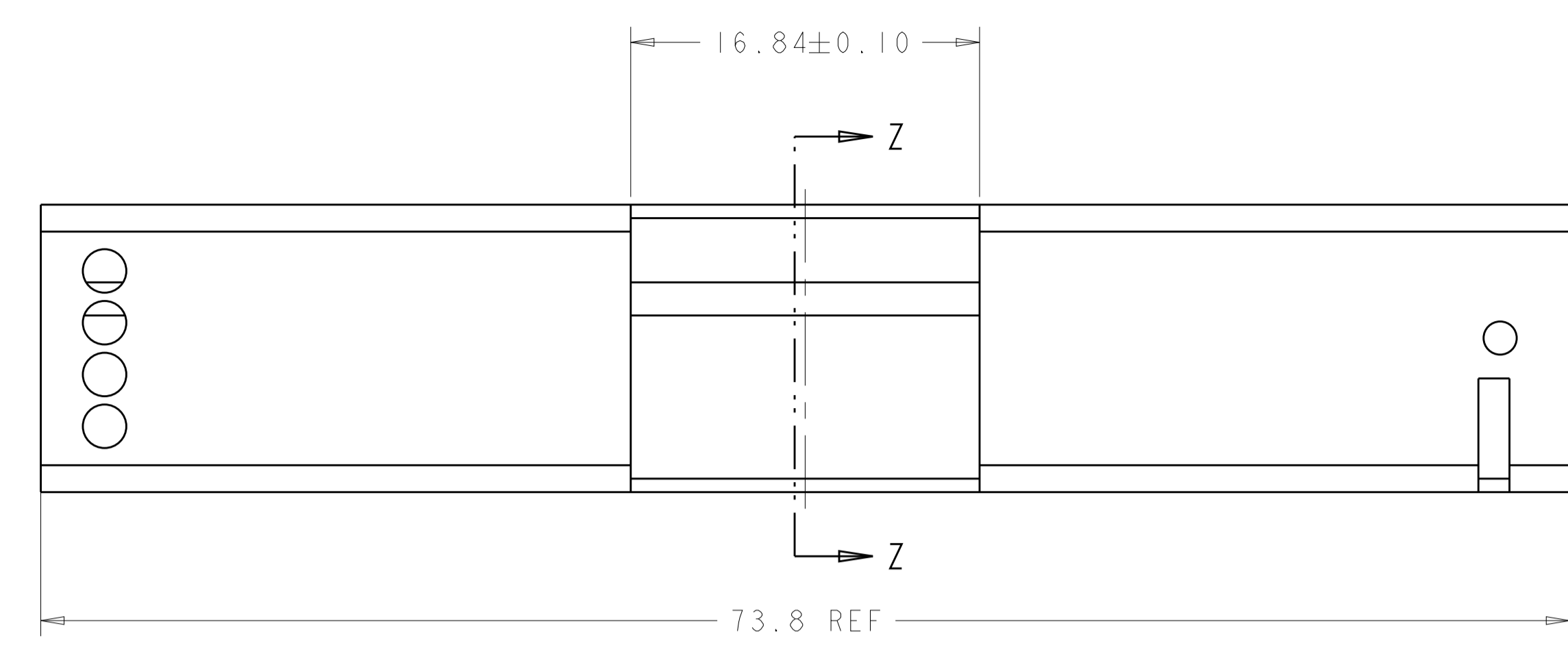
SECTION Z-Z



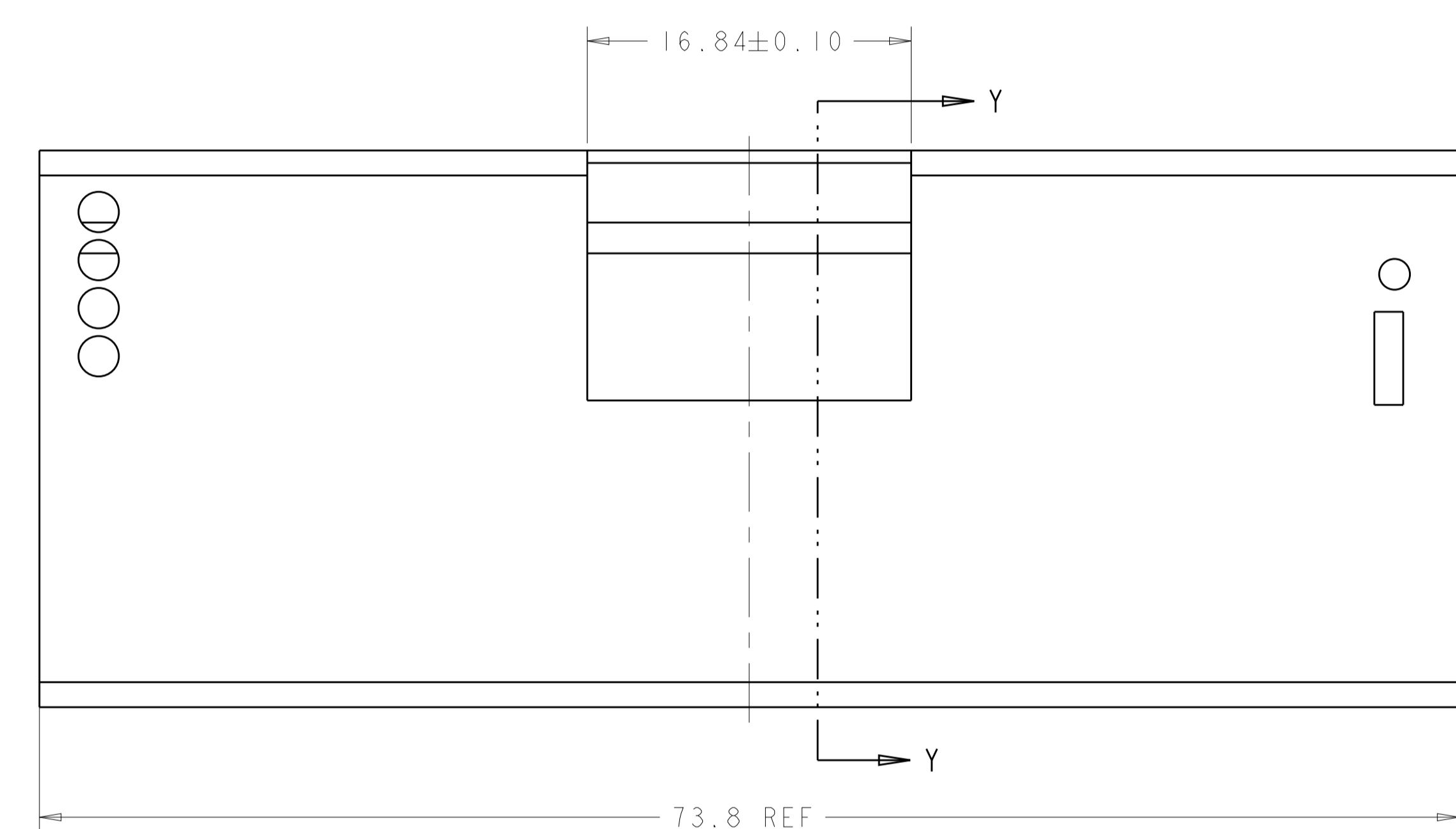
SECTION Y-Y



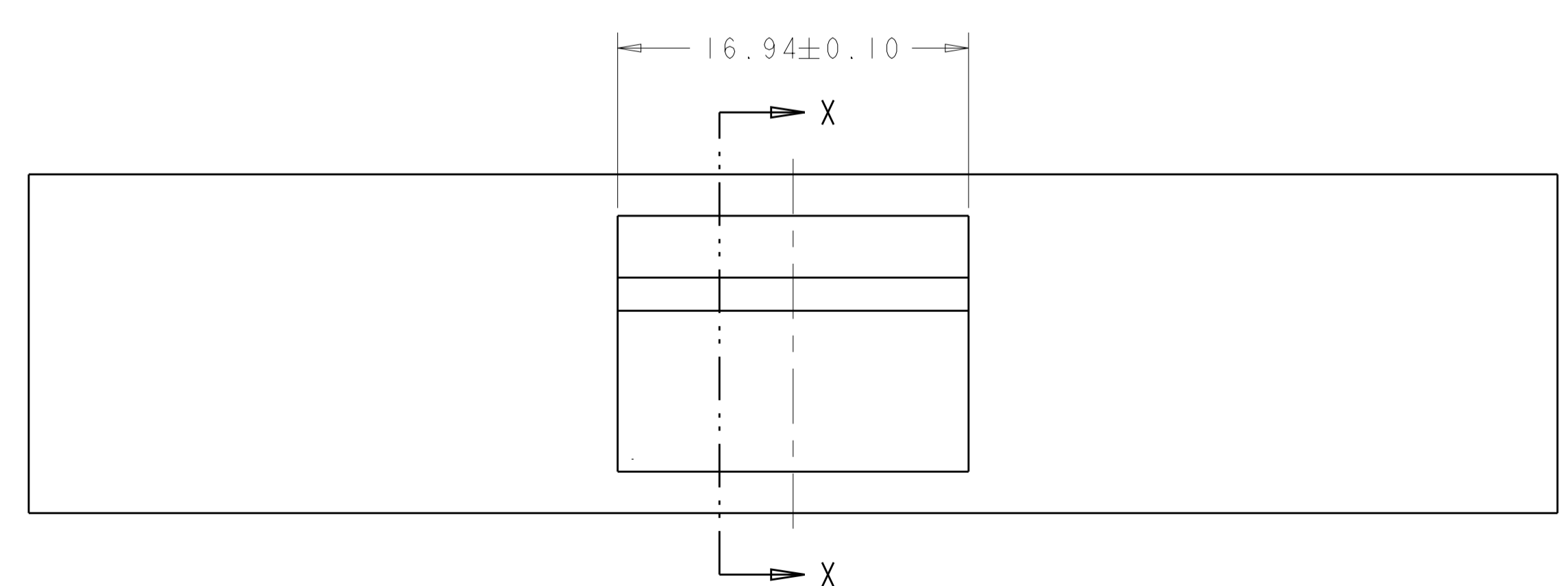
SECTION X-X



AMC SINGLE WIDTH, HALF HEIGHT MODULE FACE PLATE
SCALE 4:1



AMC SINGLE WIDTH, FULL HEIGHT MODULE FACE PLATE
SCALE 4:1



STANDARD FACE PLATE
SCALE 4:1

THIS DRAWING IS A CONTROLLED DOCUMENT.		DWN: MS/L.A.MAYER 15FEB2008	TE Connectivity
DIMENSIONS: mm		CHK: J.WESTMAN 15FEB2008	
TOLERANCES UNLESS OTHERWISE SPECIFIED:		APVD: S.FLICKINGER 15FEB2008	NAME: CONNECTOR ASSEMBLY, LOW PROFILE, PRESS FIT, MODULAR JACK, 1X1, RJ45 PRODUCT SPEC: 108-2274 APPLICATION SPEC: 114-13179
0 PLC ± 1 PLC ±0.13 2 PLC ± 3 PLC ± 4 PLC ± ANGLES ±°		SIZE: A1 CAGE CODE: 100779 DRAWING NO: 1888250	
MATERIAL: SEE NOTE 1		FINISH: SEE NOTE 1	RESTRICTED TO: -
CUSTOMER DRAWING		SCALE: 5:1	SHEET: 3 OF 3

X-ON Electronics

Largest Supplier of Electrical and Electronic Components

Click to view similar products for [Modular Connectors / Ethernet Connectors](#) category:

Click to view products by [TE Connectivity](#) manufacturer:

Other Similar products are found below :

[8949-H88/06BLKA/SN](#) [74441-0010/BKN](#) [MP1010RX-1000](#) [MP44RX-1000](#) [PHJ-4P4C-1-V-4](#) [PHP-6P6C-5](#) [GAX-3-66](#) [GAX-8-62](#) [GDCX-PA-66-50](#) [GDCX-PN-64](#) [GDCX-PN-66](#) [GDCX-PN-66-50](#) [GDLX-A-66](#) [GDLX-N-66](#) [GDLX-S-66](#) [GDLX-S-88K](#) [GDTX-S-88-50](#) [GDX-PA-1010](#) [GLX-N-1010M-BLK](#) [GLX-S-88M-BLK](#) [GMX-N-1010](#) [GMX-S-1010](#) [GMX-S-66](#) [GMX-SMT4-N-88](#) [GPX-2-64](#) [GSGX-N-2-88](#) [GSGX-N-4-88](#) [GSX-NS2-88-3.05](#) [GSX-NS2-88-3.05-50](#) [GSX-NS-88-3.05-50](#) [PT-108A-8C-UL](#) [PT-J951-8C](#) [PTS-J531-8CS-50UL](#) [1-1775629-2](#) [A-2014-0-4](#) [GWLX-S-88-GR](#) [GWLX-S9-88-YG](#) [DC-1021-8-WH-6](#) [1300530003](#) [1324640-4](#) [RJ11FTVC2G](#) [RJ11FTVC2N](#) [RJFTVX2SA1G](#) [132764-001](#) [1413235](#) [MP88X-1000](#) [MPS88RX-5000](#) [E5288-S000K3-L](#) [E5908-15A242-L](#) [155302-001](#)