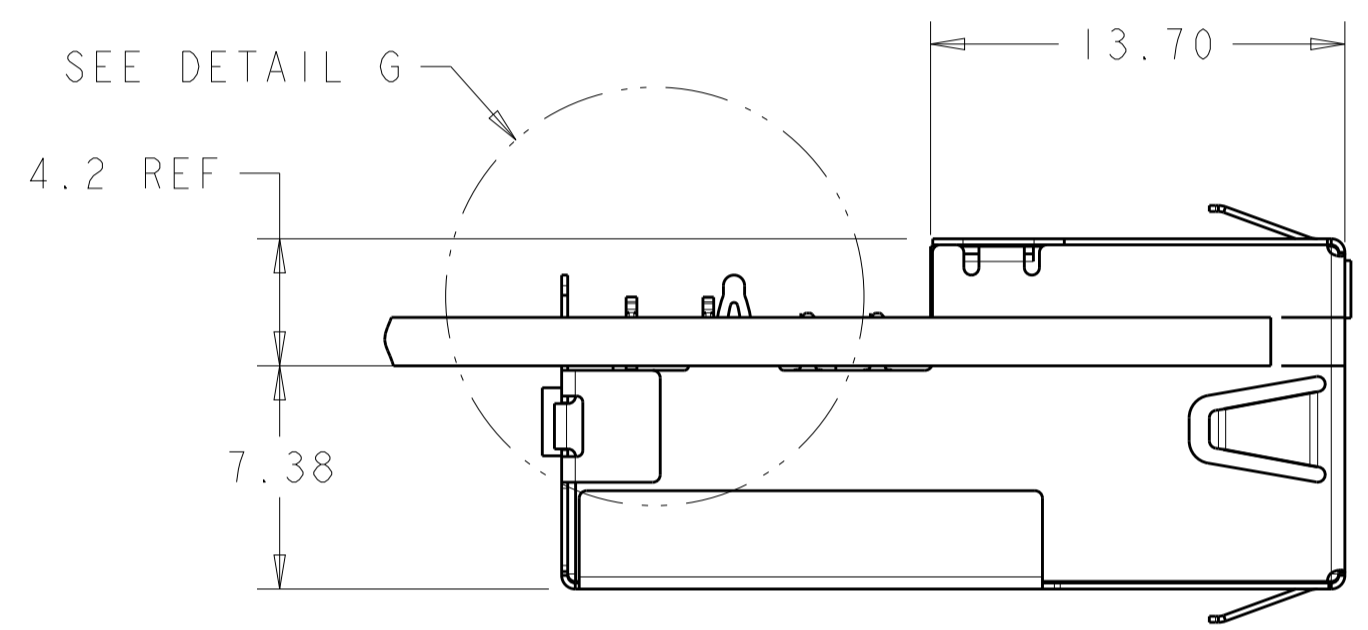
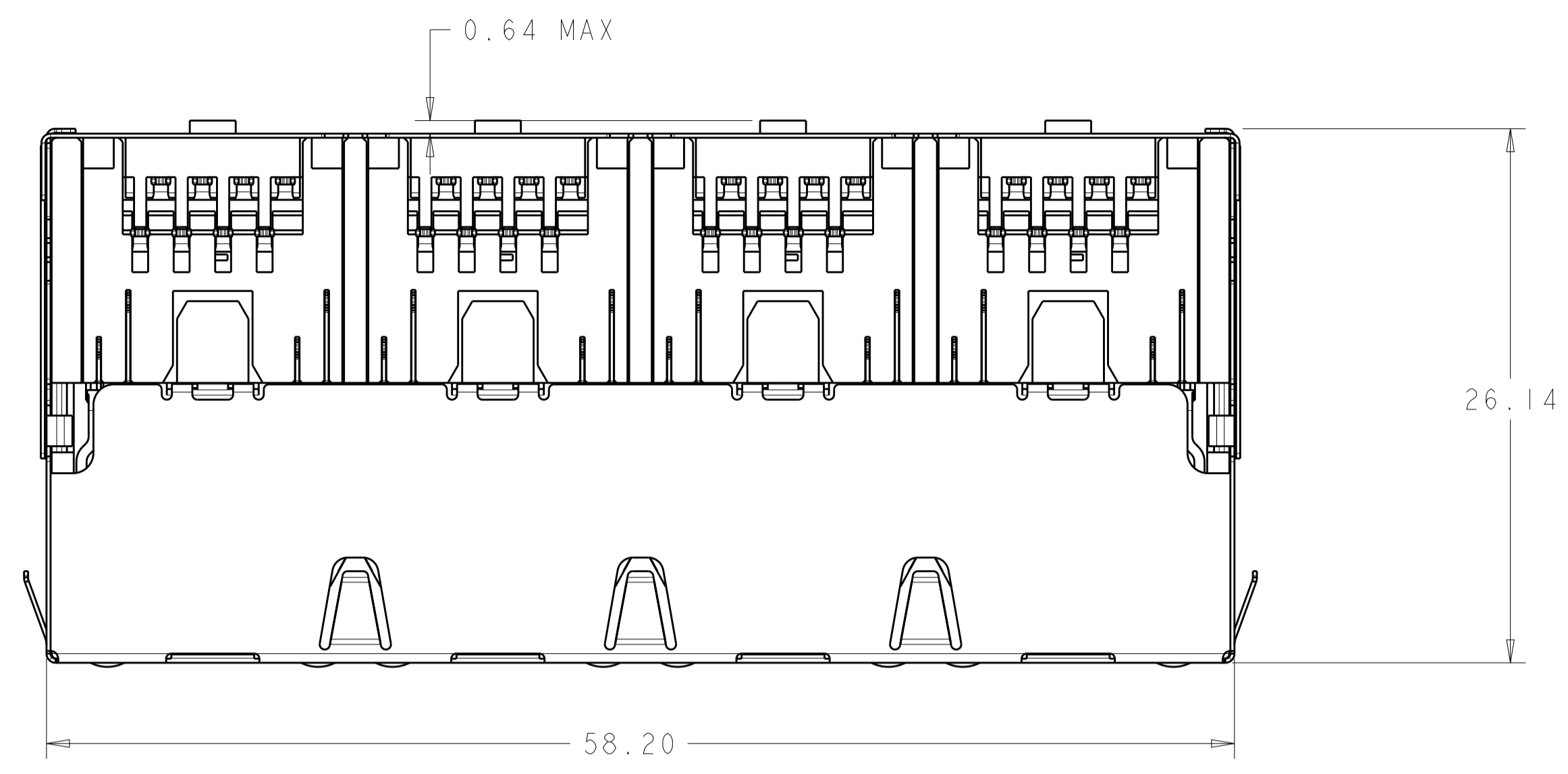
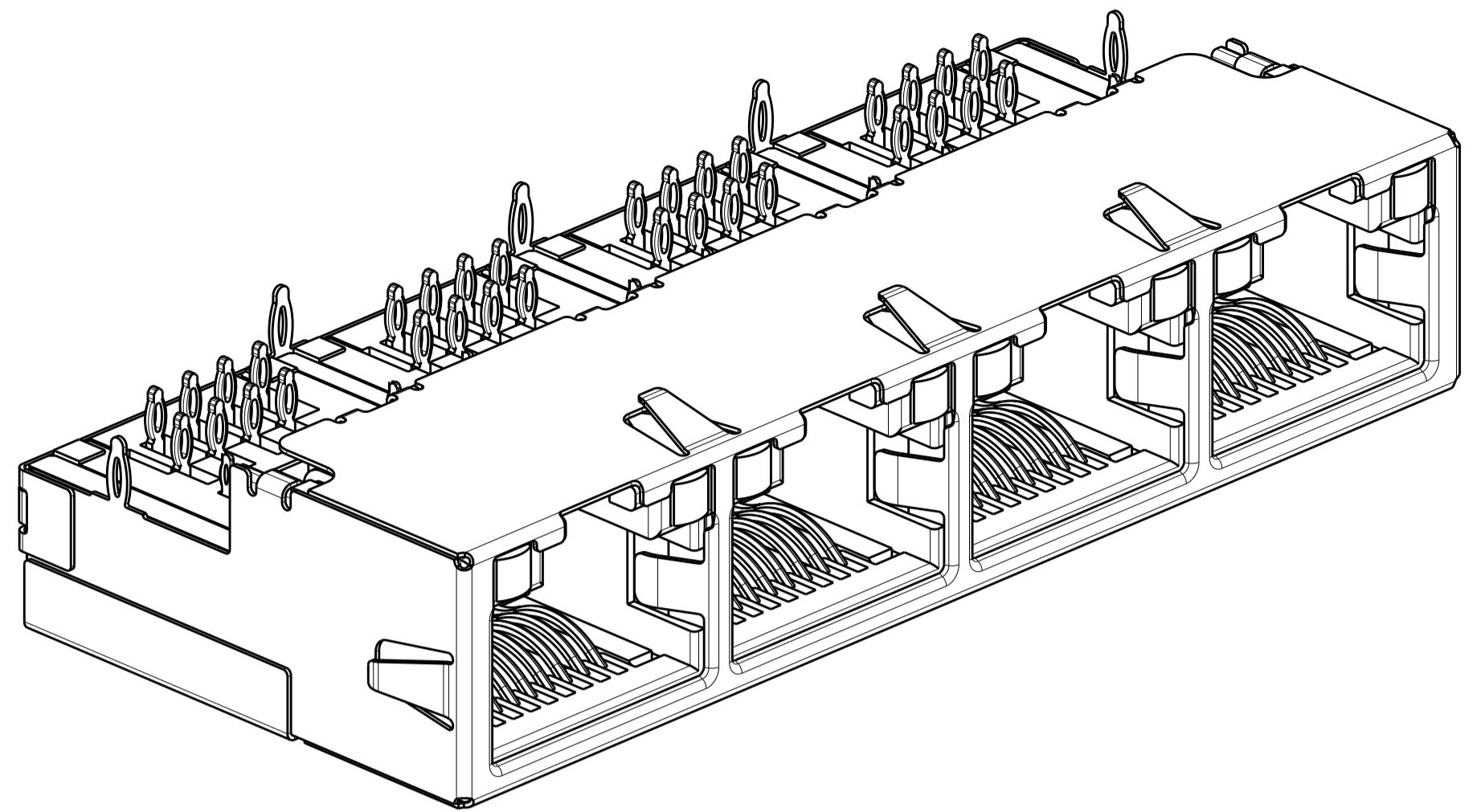
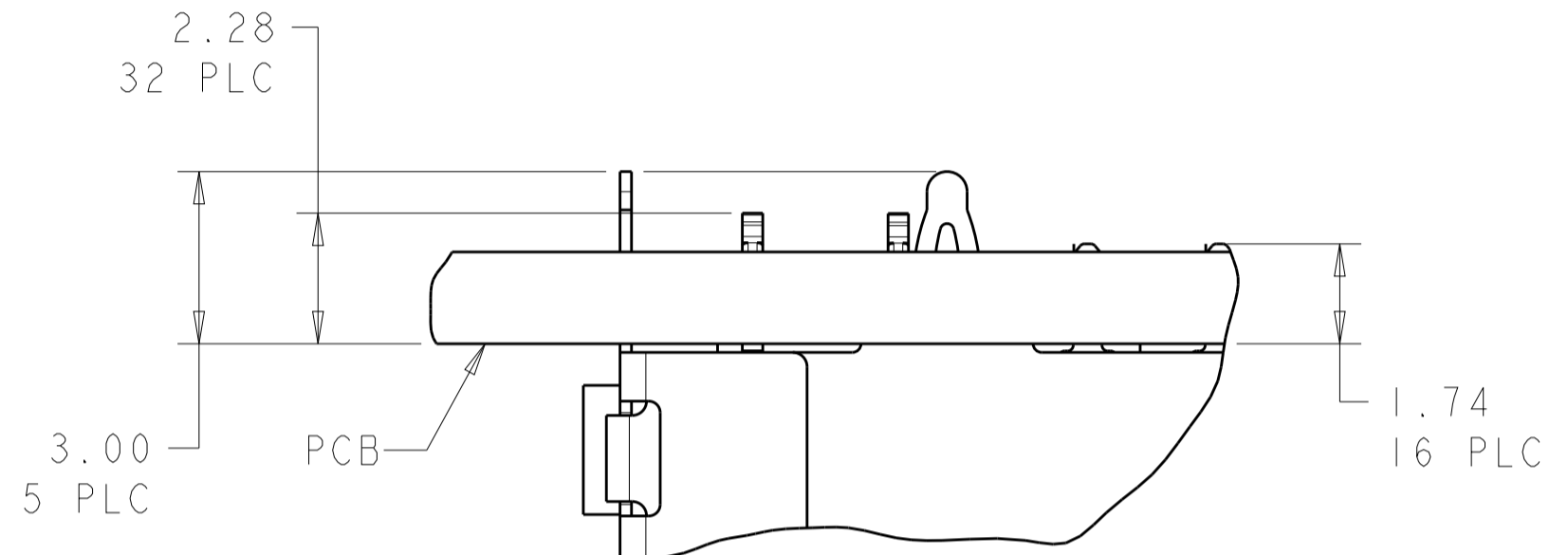
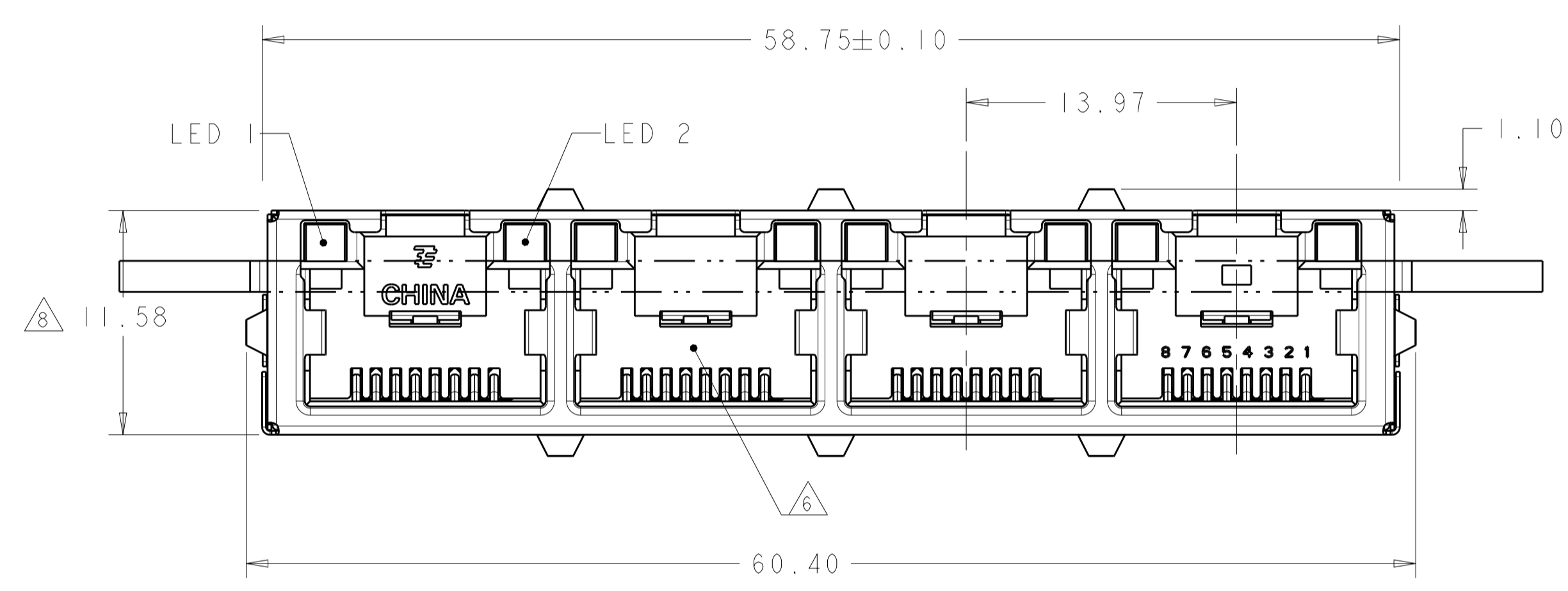


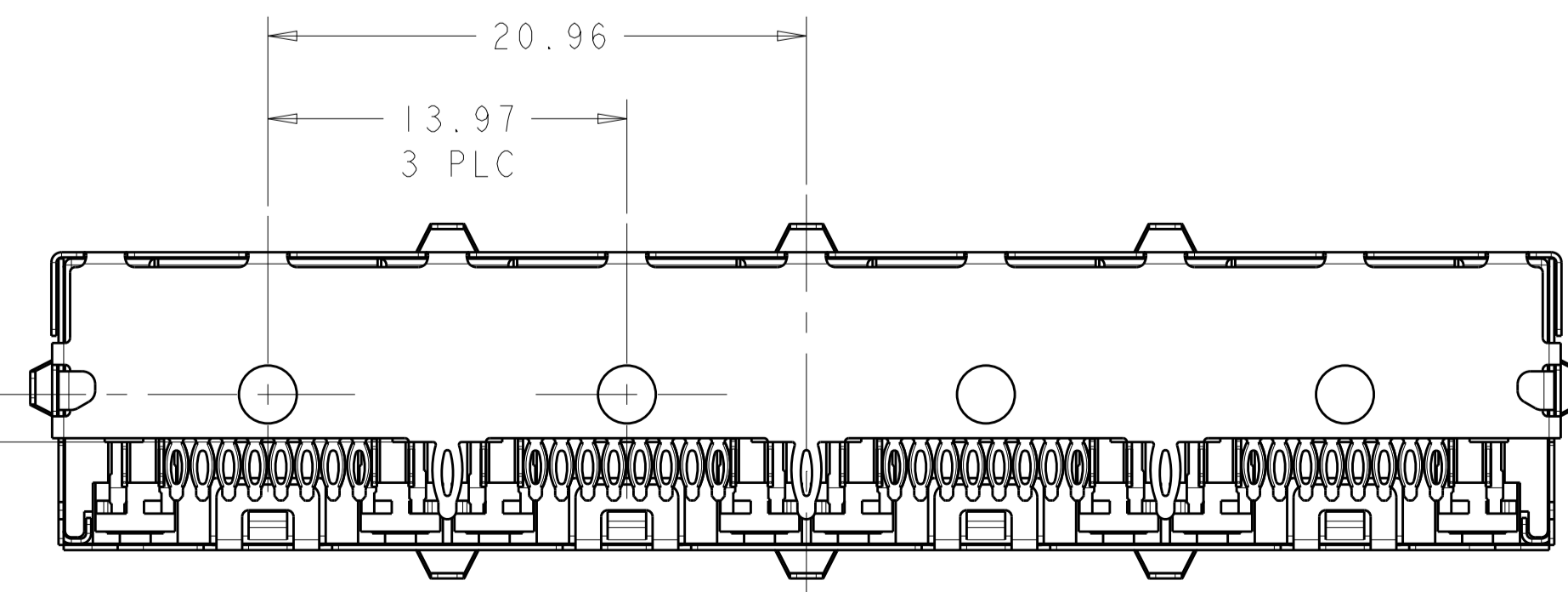
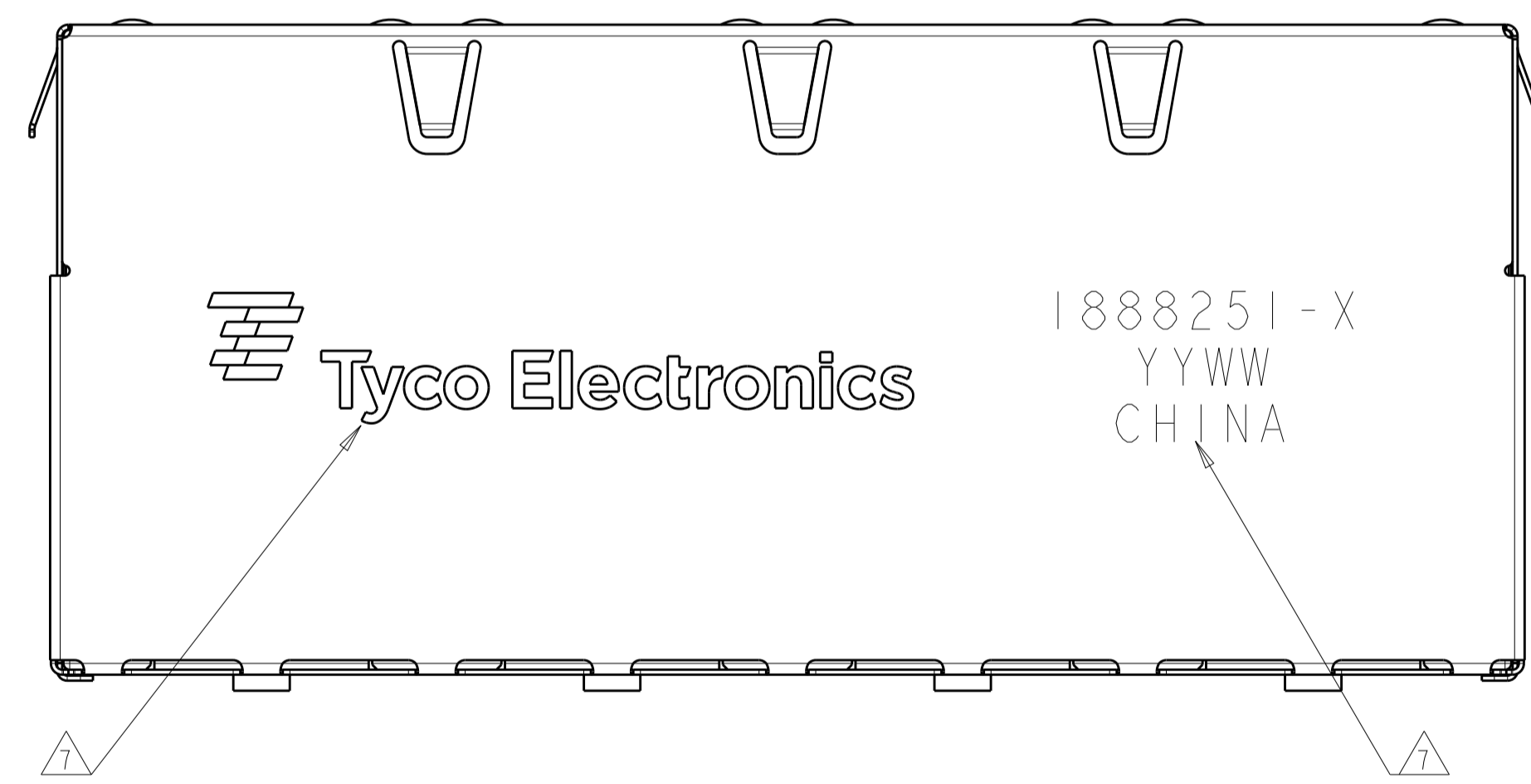
LOC		DIST		REVISIONS			
AA	00	P	LTN	DESCRIPTION	DATE	OWN	APVD
		B6		REVISED PER ECO-11-005033	18MAR2011	RK	HMR
		C		ECO-18-005828	21MAR2018	LL	SH



VIEW SHOWN ASSEMBLED TO PCB ONLY



DETAIL G SCALE 8:1



- MATERIALS:
 HOUSING: BLACK PBT, 94V-0.
 OVERMOLDED INSERT: BLACK LCP, 94V-0.
 SHIELD: COPPER ALLOY WITH 0.76µm MIN NICKEL PLATE
 CONTACTS: PHOSPHOR BRONZE WITH 1.27µm MIN GOLD AT MATING INTERFACE OVER 1.27µm MIN NICKEL UNDERPLATE.
 - PERFORMANCE:
 INSERTION LOSS: 0.4dB @ 100 MHz.
 RETURN LOSS: 12.0dB @ 100 MHz.
 CROSSTALK ATTENUATION: -43dB MINIMUM @ 100MHz
 - LED'S COMPLIANT WITH IEC60825-1 SAFETY OF LASER PRODUCTS WHEN OPERATED AT CURRENT OF 20mA.
 - ALL DIMENSIONS NOMINAL.
 - RECOMMENDED MOTHERBOARD PCB THICKNESS: 1.60±0.16.
- ⑥ RJ45 PORT CONFORMS TO FCC RULES AND REGULATIONS PART 68 SUB-PART F.
- ⑦ TE LOGO, TE CONNECTIVITY PART NUMBER, DATE CODE AND COUNTRY OF ORIGIN TO BE MARKED IN APPROXIMATE LOCATION SHOWN.
- ⑧ THIS DIMENSION MEETS THE ADVANCED MEZZANINE CARD (AMC) SPECIFICATION.
- ⑨ LED WAVELENGTH FOR THE PN 1888251-5:
 GREEN: 520nm ~ 525nm; YELLOW: 590nm ± 5nm.

LED #1	LED #2	PART NUMBER
GRN/YEL	GRN/YEL	1888251-5
GREEN	GREEN	1888251-4
-	-	1888251-3
GRN/YEL	GRN/YEL	1888251-2
GREEN	YELLOW	1888251-1

THIS DRAWING IS A CONTROLLED DOCUMENT.

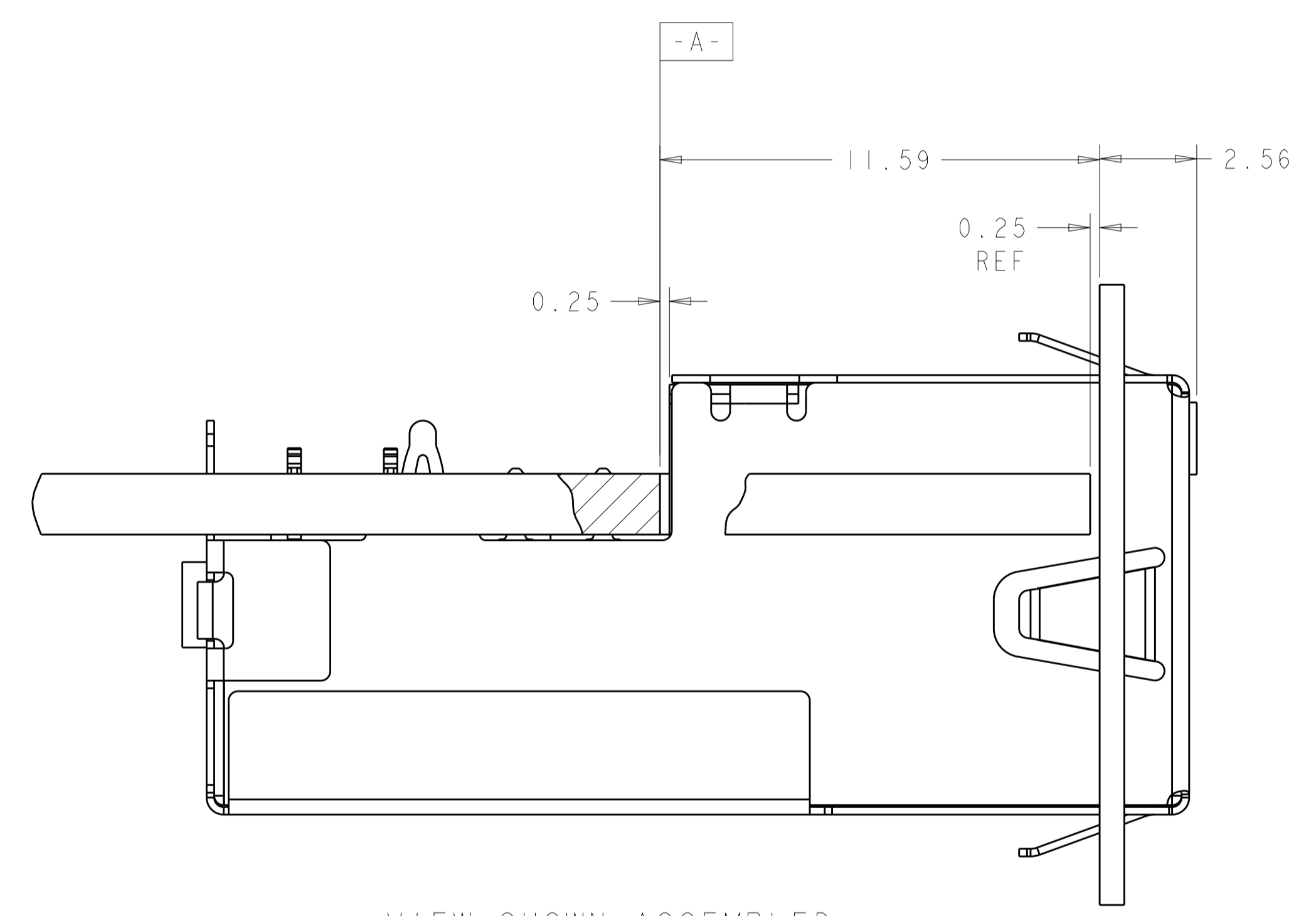
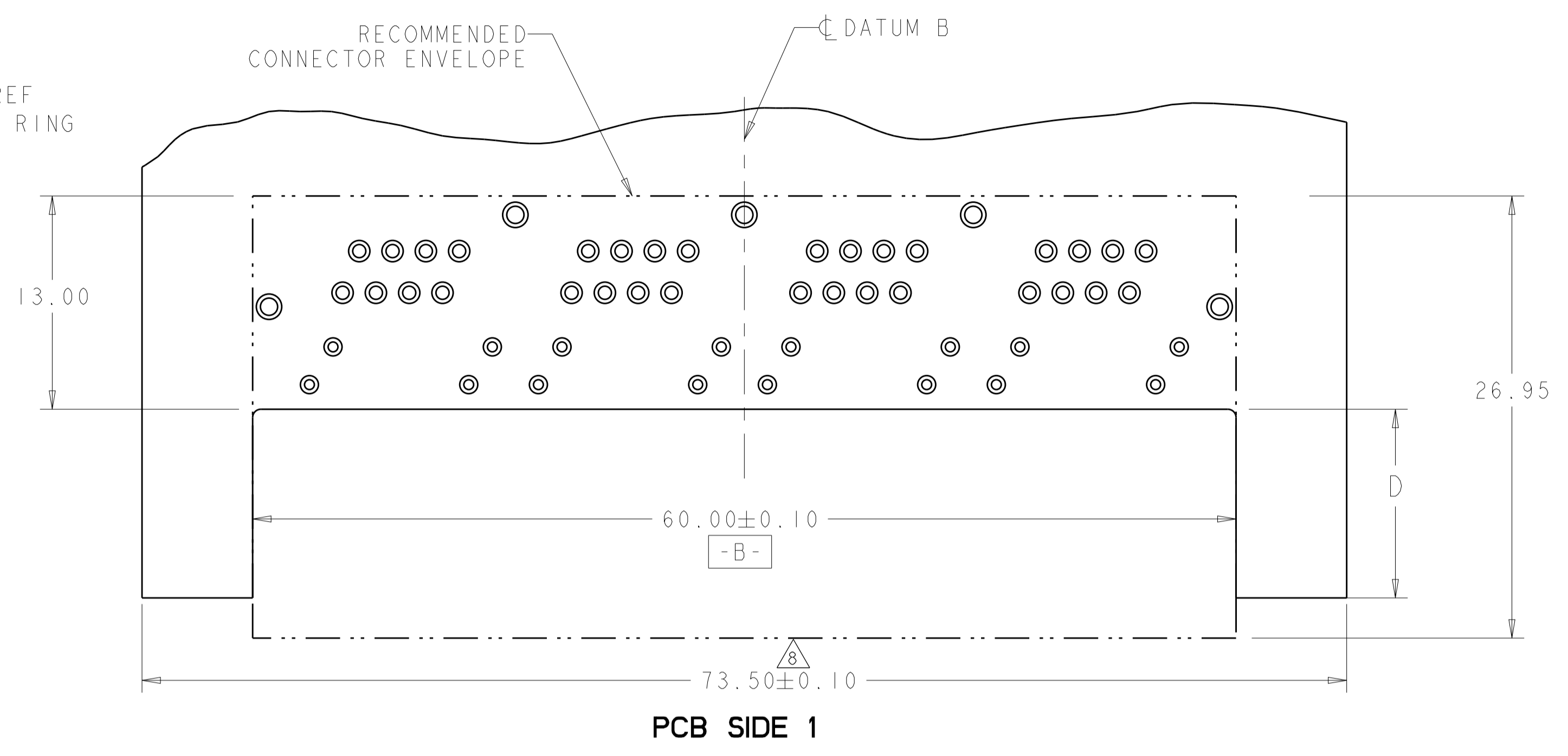
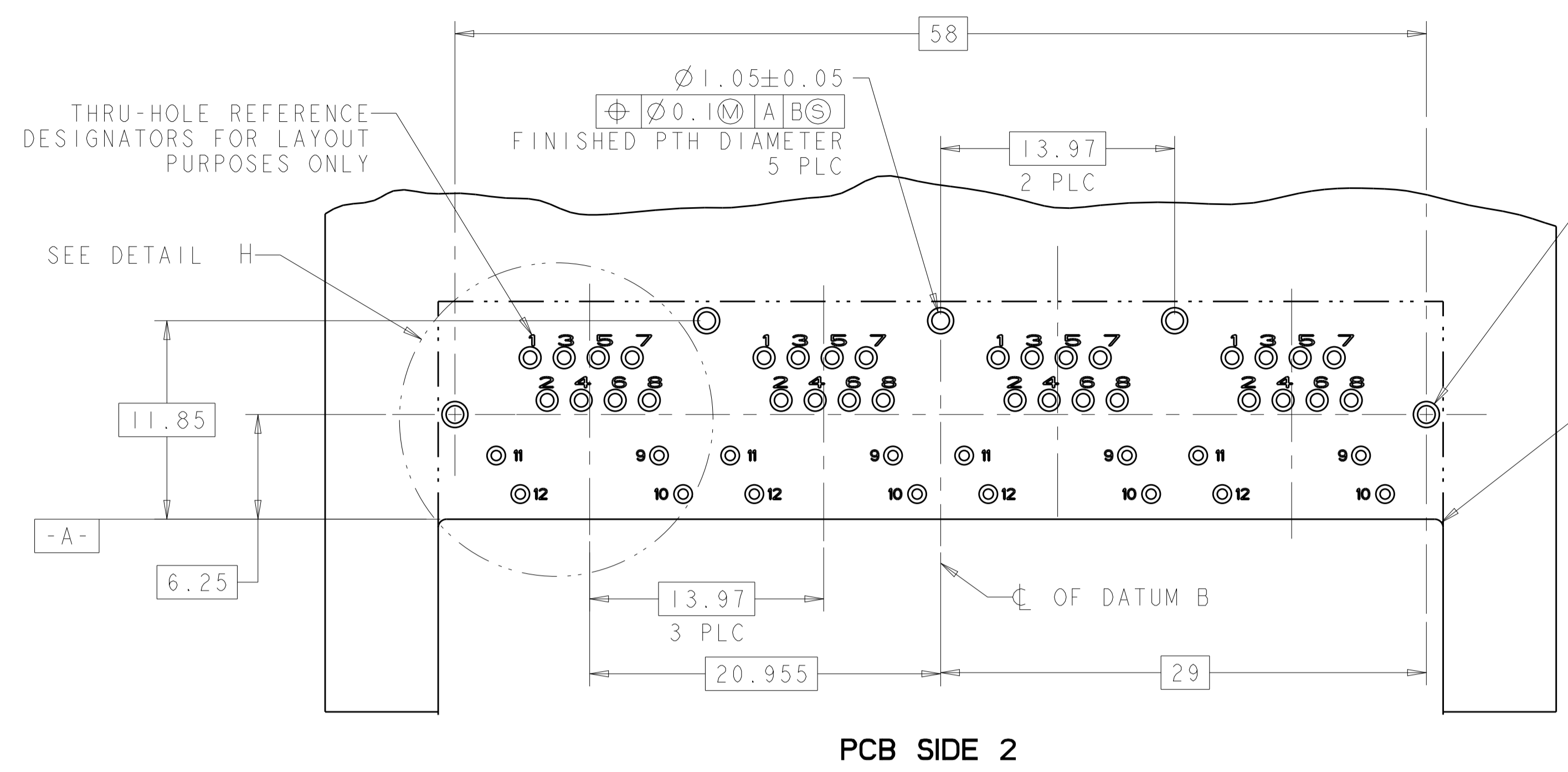
OWN: M.E.S./L.A. MAYER 15FEB2008
 CHG: J.WESTMAN 15FEB2008
 APVD: S.FLICKINGER 15FEB2008

NAME: CONNECTOR ASSEMBLY, LOW PROFILE, PRESS FIT, MODULAR JACK, 1X4, RJ45

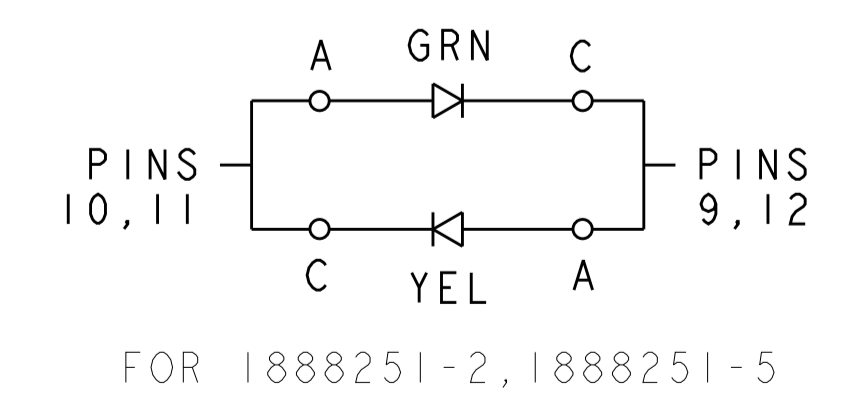
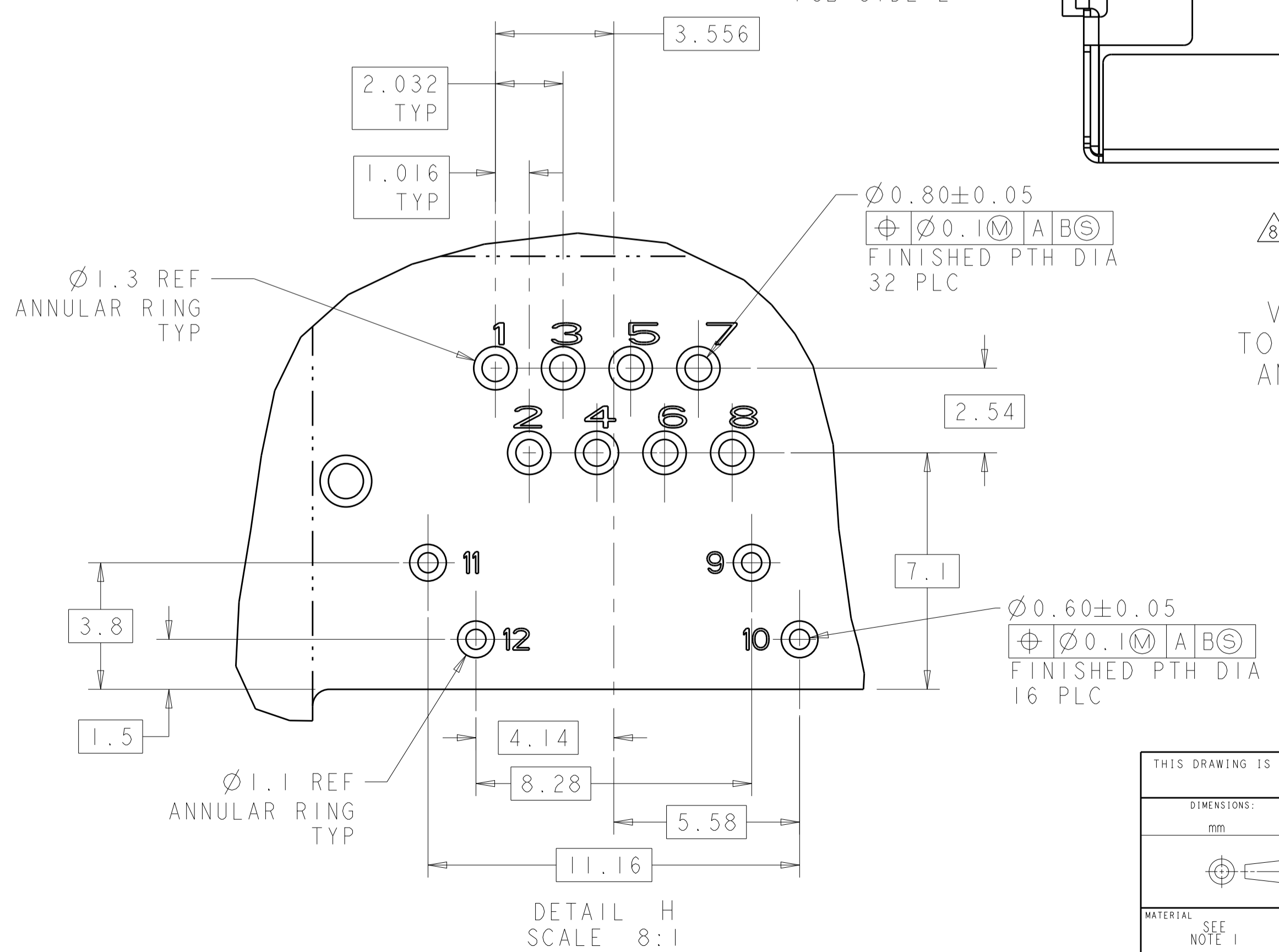
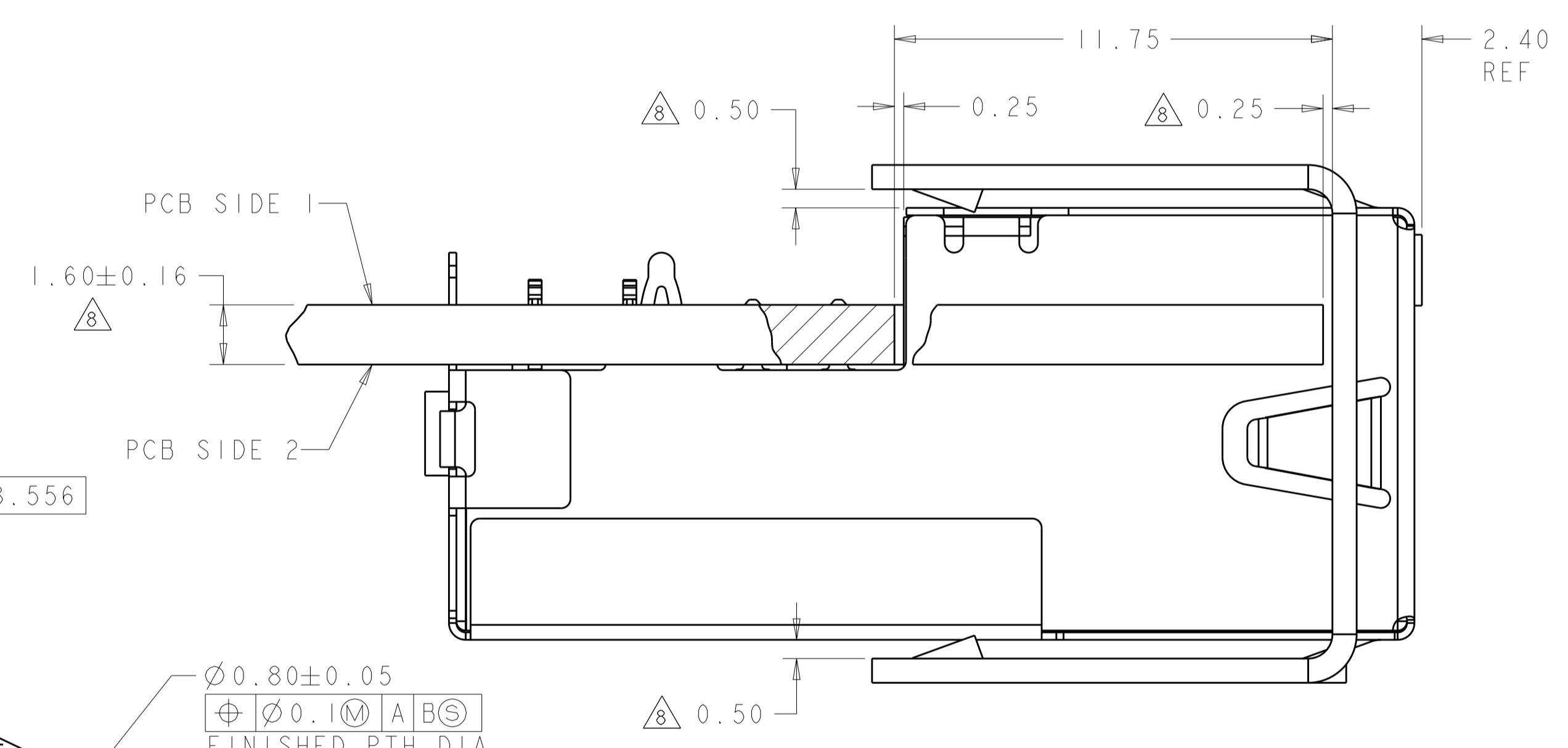
SIZE: CAGE CODE DRAWING NO. RESTRICTED TO: A100779C=1888251

SCALE: 4:1 SHEET 1 OF 3 REV C

LOC		DIST		REVISIONS			
AA	00	P	LTN	DESCRIPTION	DATE	DMN	APVD
		-	-	SEE SHEET 1	-	-	-



STANDARD FACE PLATE	11.34
AMC MODULE FACE PLATE	11.50
PCB CUTOUT	D



	PIN #	1888251-1	1888251-2 1888251-5	1888251-3	1888251-4
LED 1	9	CATHODE (-)	ANODE (YEL), CATHODE (GRN)	-	CATHODE (-)
	10	ANODE (+)	ANODE (GRN), CATHODE (YEL)	-	ANODE (+)
LED 2	11	ANODE (+)	ANODE (GRN), CATHODE (YEL)	-	ANODE (+)
	12	CATHODE (-)	ANODE (YEL), CATHODE (GRN)	-	CATHODE (-)

THIS DRAWING IS A CONTROLLED DOCUMENT.

DMN: M.E.S./L.A. MAYER 15FEB2008
 CHK: J.WESTMAN 15FEB2008
 APVD: S.FELCKINGER 15FEB2008

TE Connectivity

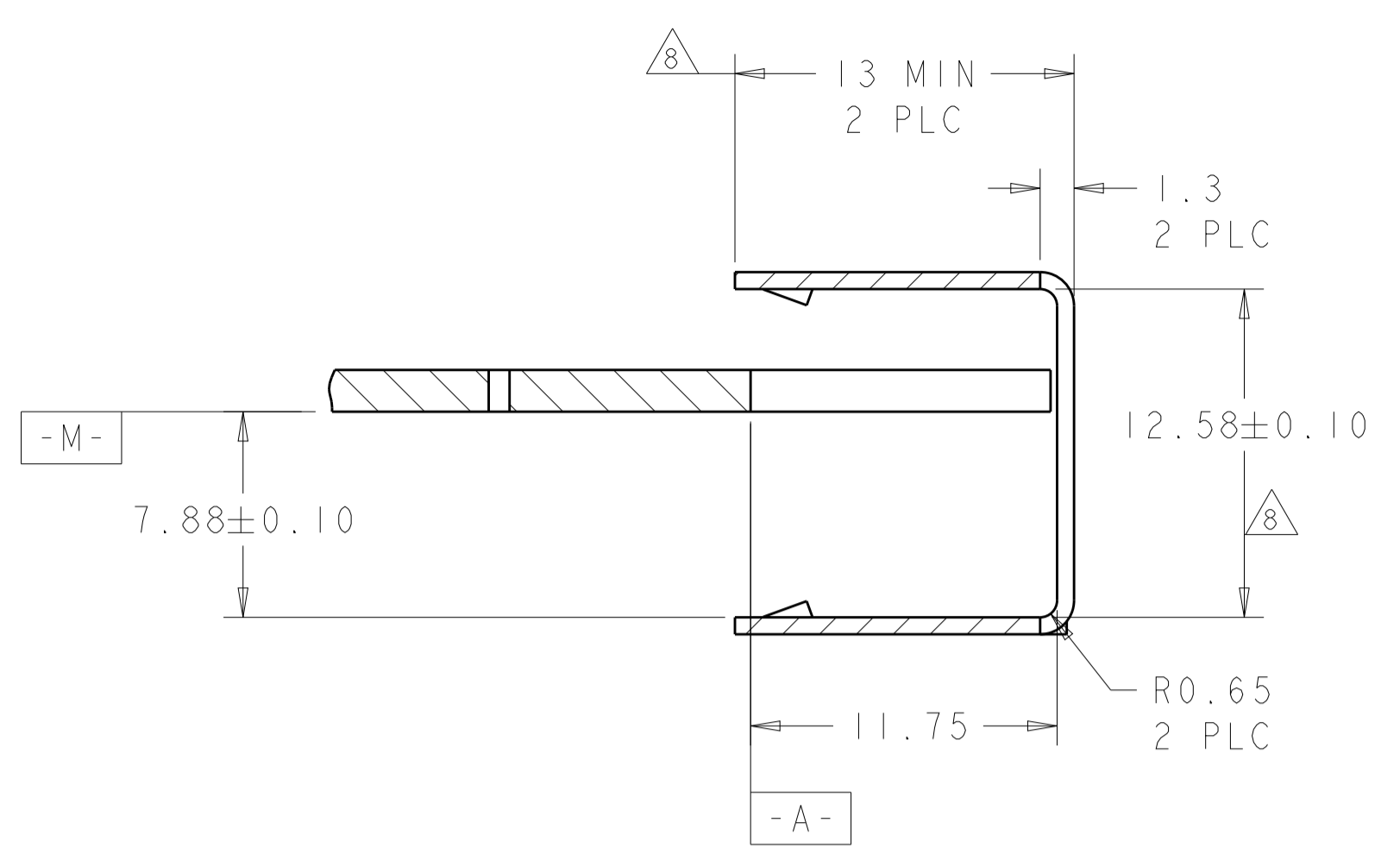
CONNECTOR ASSEMBLY, LOW PROFILE, PRESS FIT, MODULAR JACK, 1X4, RJ45

SIZE: A1 00779 C=1888251

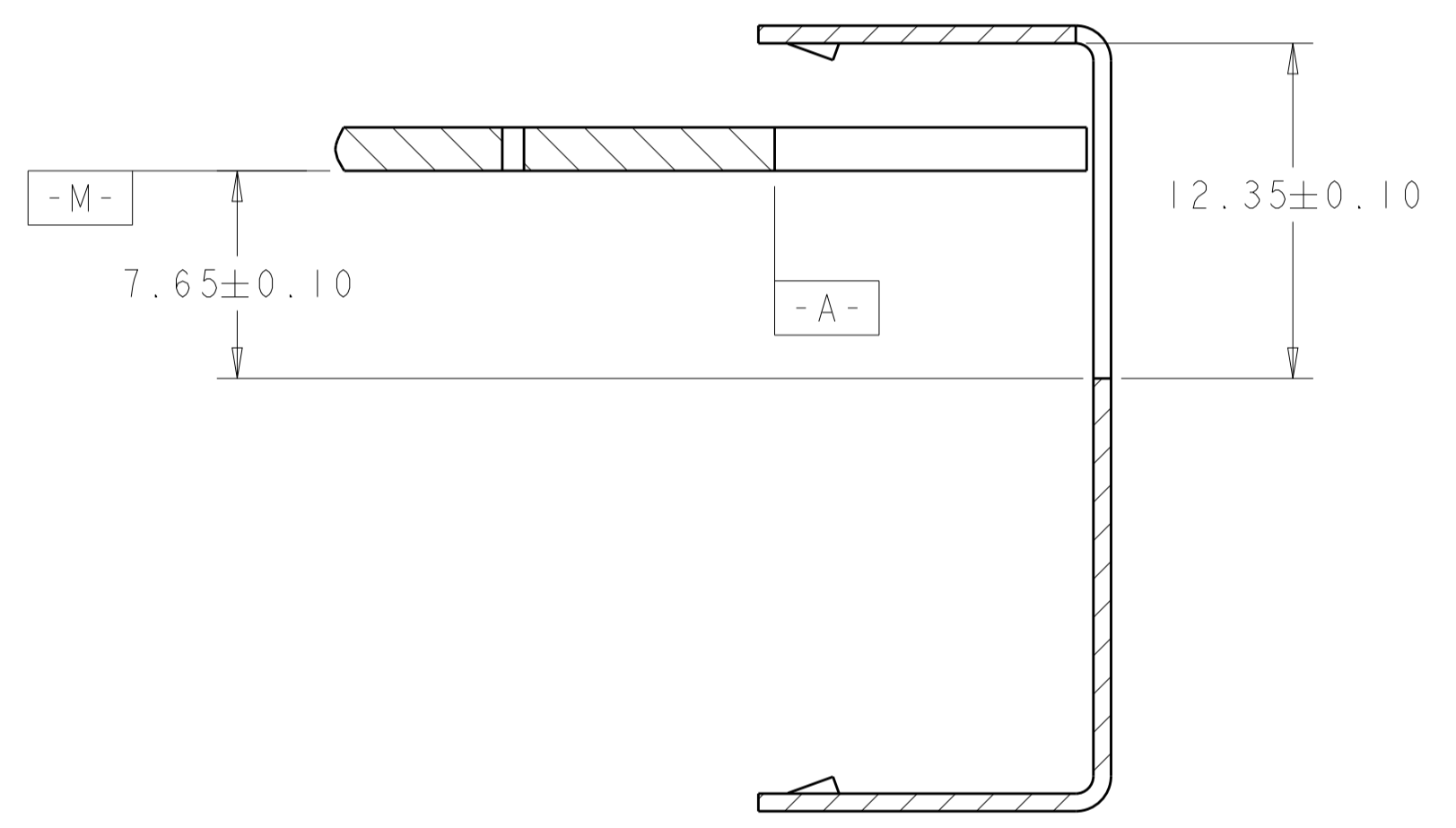
RESTRICTED CUSTOMER

SCALE: 4:1 SHEET 2 OF 3 REV C

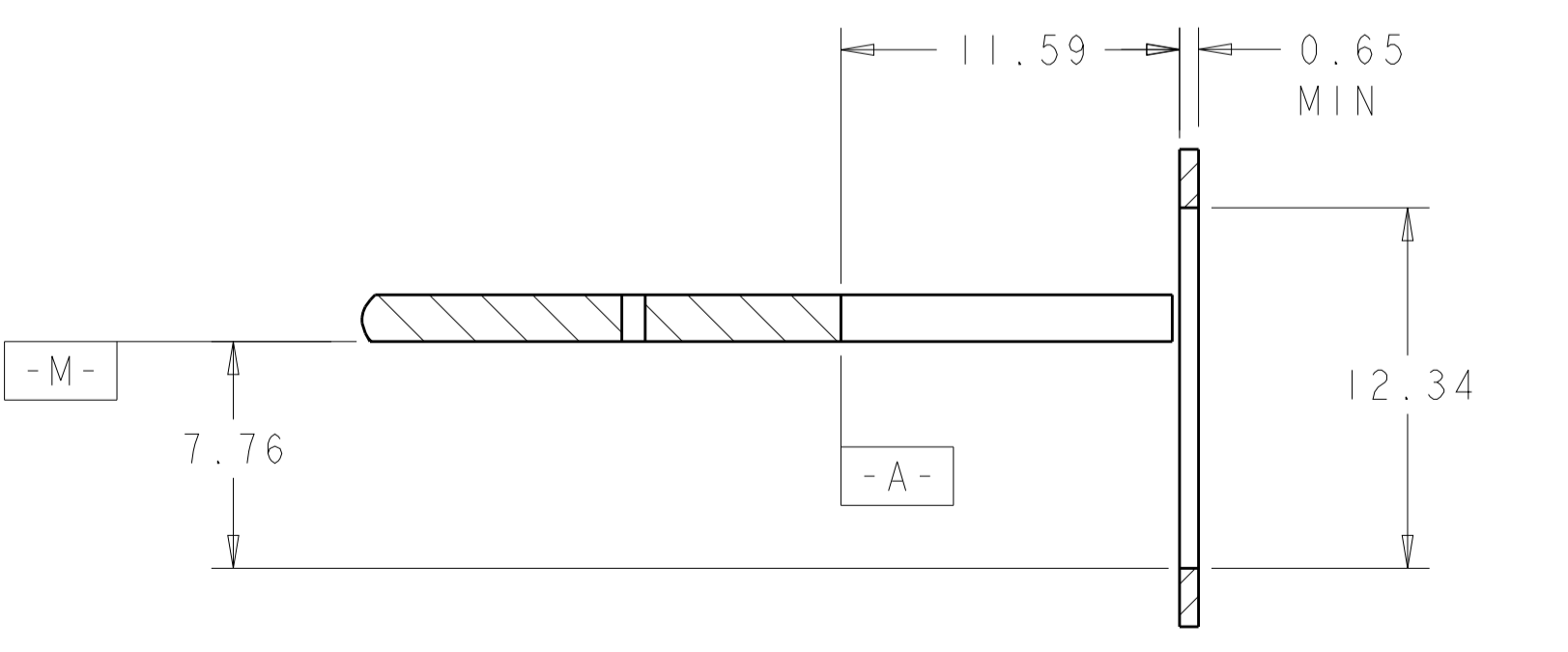
LOC	DIST	REVISIONS			
P	LTN	DESCRIPTION	DATE	OWN	APVD
-	-	SEE SHEET 1	-	-	-



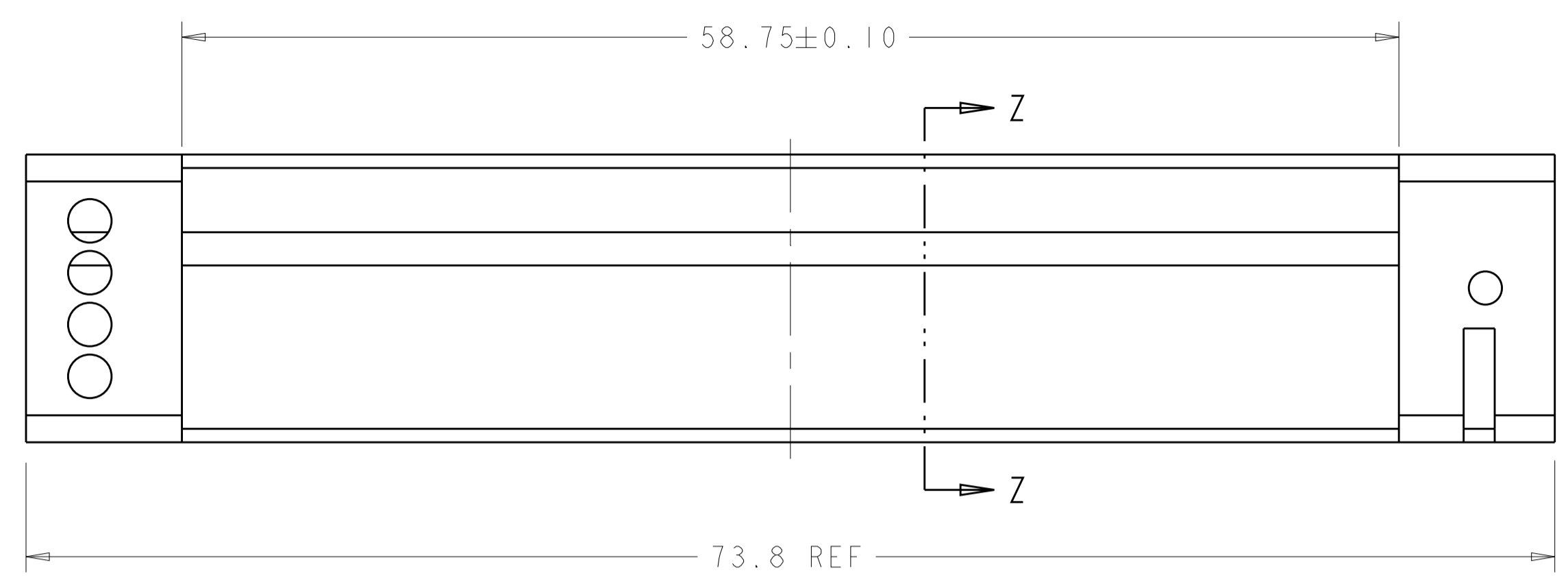
SECTION Z-Z



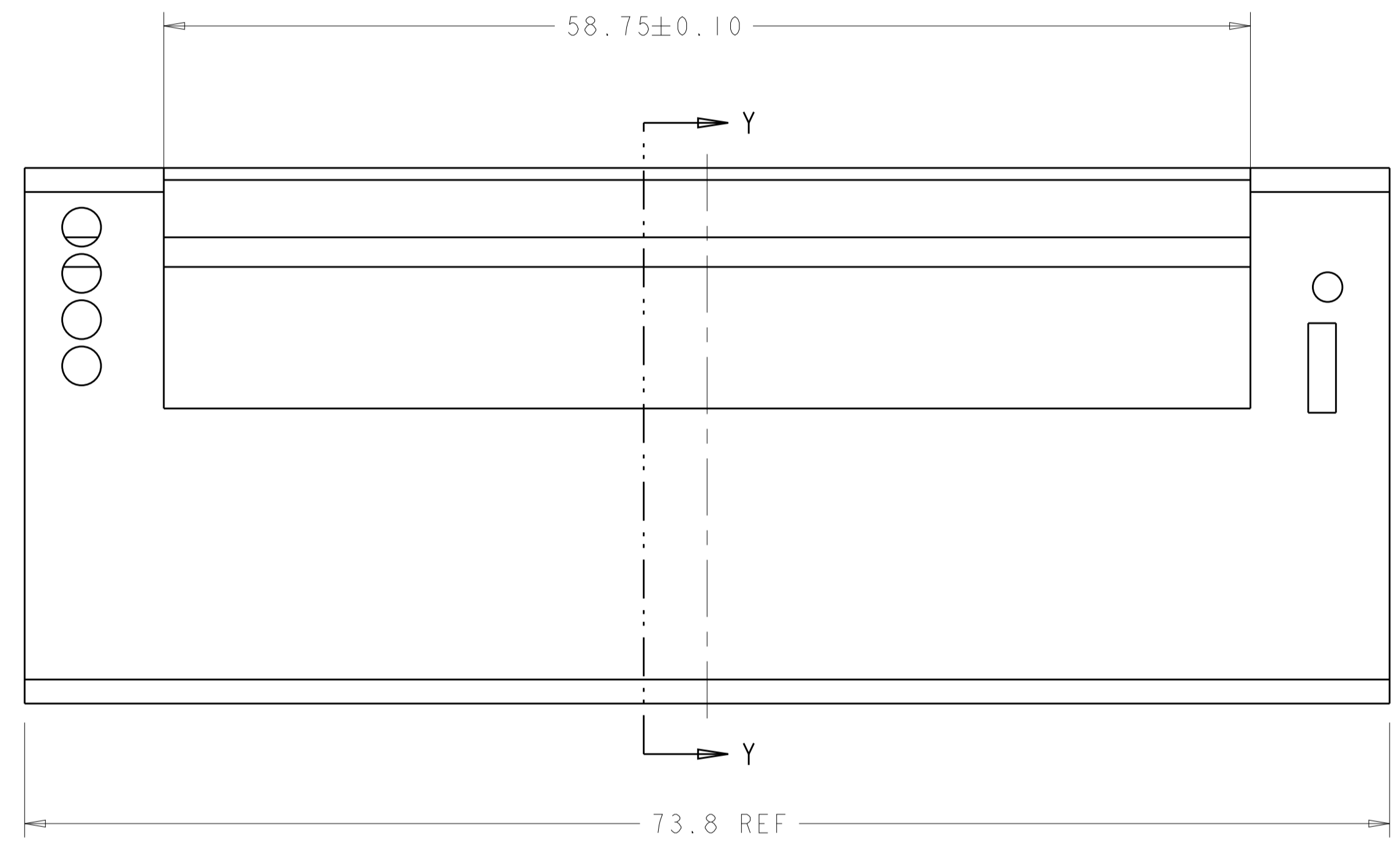
SECTION Y-Y



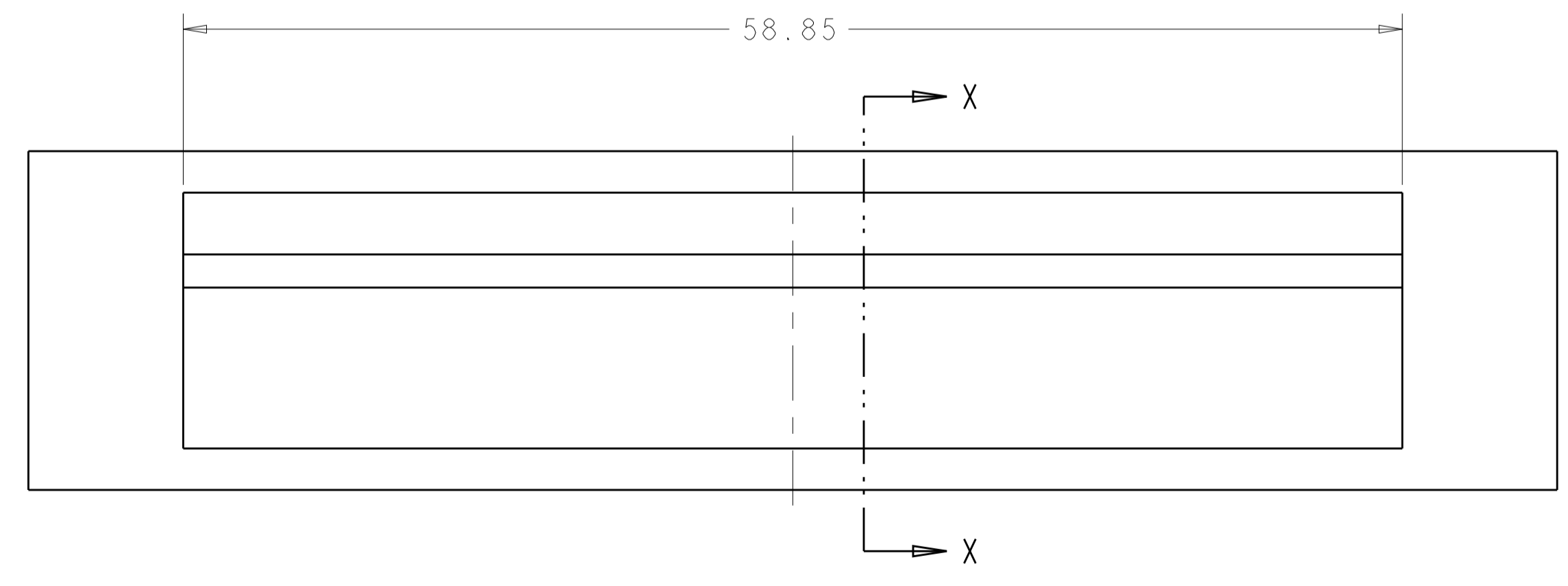
SECTION X-X



AMC SINGLE WIDTH, HALF HEIGHT MODULE FACE PLATE



AMC SINGLE WIDTH, FULL HEIGHT MODULE FACE PLATE



STANDARD FACE PLATE

THIS DRAWING IS A CONTROLLED DOCUMENT.		OWN: M.E.S./L.A. WAYER 15FEB2008	TE Connectivity
DIMENSIONS: mm		CHK: J.WESTMAN 15FEB2008	
TOLERANCES UNLESS OTHERWISE SPECIFIED:		APVD: S.FLICKINGER 15FEB2008	NAME: CONNECTOR ASSEMBLY, LOW PROFILE, PRESS FIT, MODULAR JACK, 1X4, RJ45
0 PLC ±	1 PLC ±	PRODUCT SPEC	SIZE: CAGE CODE DRAWING NO
2 PLC ±0.13	3 PLC ±	APPLICATION SPEC	RESTRICTED TO
4 PLC ±	ANGLES ±	114-13179	A100779C=1888251
MATERIAL: SEE NOTE 1	FINISH: SEE NOTE 1	WEIGHT: -	SCALE: 4:1 SHEET 3 OF 3 REV C
RESTRICTED CUSTOMER			

X-ON Electronics

Largest Supplier of Electrical and Electronic Components

Click to view similar products for [Modular Connectors / Ethernet Connectors](#) category:

Click to view products by [TE Connectivity](#) manufacturer:

Other Similar products are found below :

[8949-H88/06BLKA/SN](#) [74441-0010/BKN](#) [MP1010RX-1000](#) [MP44RX-1000](#) [PHJ-4P4C-1-V-4](#) [PHP-6P6C-5](#) [GAX-3-66](#) [GAX-8-62](#) [GDCX-PA-66-50](#) [GDCX-PN-64](#) [GDCX-PN-66](#) [GDCX-PN-66-50](#) [GDLX-A-66](#) [GDLX-N-66](#) [GDLX-S-66](#) [GDLX-S-88K](#) [GDLX-SMT-S-88](#) [GDTX-S-88-50](#) [GDX-PA-1010](#) [GLX-N-1010M-BLK](#) [GLX-S-88M-BLK](#) [GMX-N-1010](#) [GMX-S-1010](#) [GMX-S-66](#) [GMX-SMT4-N-88](#) [GPX-2-64](#) [GSGX-N-2-88](#) [GSGX-N-4-88](#) [GSX-NS2-88-3.05](#) [GSX-NS2-88-3.05-50](#) [GSX-NS-88-3.05-50](#) [PT-108A-8C-UL](#) [PT-J951-8C](#) [PTS-J531-8CS-50UL](#) [1-1775629-2](#) [A-2014-0-4](#) [GWLX-S-88-GR](#) [GWLX-S9-88-YG](#) [DC-1021-8-WH-6](#) [1300530003](#) [1324640-4](#) [RJ11FTVC2G](#) [RJ11FTVC2N](#) [RJFTVX2SA1G](#) [132764-001](#) [1413235](#) [MP88X-1000](#) [MPS88RX-5000](#) [E5288-S000K3-L](#) [E5908-15A242-L](#)