

RECOMMENDED PC BOARD LAYOUT
1.57[.062] PC BOARD
VIEWED FROM CONNECTOR SIDE

- 1 MATERIAL:
HOUSING: NYLON, 94V-0 RATED, COLOR: BLUE.
CONTACTS: PHOSPHOR BRONZE
- 2 FINISH:
CONTACTS: $0.76\mu\text{m}$ [.000030] MIN GOLD IN MATING AREA $.00254$ [.000100] MIN TIN ON SOLDER POST, ALL OVER $1.27\mu\text{m}$ [.000050] MIN NICKEL.
- 3 FINISH:
CONTACTS: $2.54\mu\text{m}$ [.000100] MIN TIN OVER $1.27\mu\text{m}$ [.000050] MIN NICKEL.
- 4 DATUMS AND BASIC DIMENSIONS TO BE ESTABLISHED BY CUSTOMER.
- 5 FINISH:
CONTACTS: $0.76\mu\text{m}$ [.000030] MIN GOLD IN MATING AREA, $2.54\mu\text{m}$ [.000100] MIN TIN FOR A LENGTH OF .200 MIN FROM END OF SOLDER POST, GOLD FLASH ON REMAINDER, ALL OVER $1.27\mu\text{m}$ [.000050] MIN NICKEL.

CONTINUED ON SHEET 2

FINISH	DIM Z	DIM Y	DIM X	DIM W	DIM V	NUMBER OF POSITIONS	PART NUMBER
3	55.88[2.200]	22	58.83[2.316]	60.96[2.400]	0.00[.000]	46	4-1888292-0
2	55.88[2.200]	22	58.83[2.316]	60.96[2.400]	0.00[.000]	46	3-1888292-9
3	53.34[2.100]	21	56.29[2.216]	58.42[2.300]	1.27[.050]	44	3-1888292-8
2	53.34[2.100]	21	56.29[2.216]	58.42[2.300]	1.27[.050]	44	3-1888292-7
3	50.80[2.000]	20	53.75[2.116]	55.88[2.200]	0.00[.000]	42	3-1888292-6
2	50.80[2.000]	20	53.75[2.116]	55.88[2.200]	0.00[.000]	42	3-1888292-5
3	48.26[1.900]	19	51.21[2.016]	53.34[2.100]	1.27[.050]	40	3-1888292-4
2	48.26[1.900]	19	51.21[2.016]	53.34[2.100]	1.27[.050]	40	3-1888292-3
3	45.72[1.800]	18	48.67[1.916]	50.80[2.000]	0.00[.000]	38	3-1888292-2
2	45.72[1.800]	18	48.67[1.916]	50.80[2.000]	0.00[.000]	38	3-1888292-1
3	43.18[1.700]	17	46.13[1.816]	48.26[1.900]	1.27[.050]	36	3-1888292-0
2	43.18[1.700]	17	46.13[1.816]	48.26[1.900]	1.27[.050]	36	2-1888292-9
3	40.64[1.600]	16	43.59[1.716]	45.72[1.800]	0.00[.000]	34	2-1888292-8
2	40.64[1.600]	16	43.59[1.716]	45.72[1.800]	0.00[.000]	34	2-1888292-7
3	38.10[1.500]	15	41.05[1.616]	43.18[1.700]	1.27[.050]	32	2-1888292-6
2	38.10[1.500]	15	41.05[1.616]	43.18[1.700]	1.27[.050]	32	2-1888292-5
3	35.56[1.400]	14	38.51[1.516]	40.64[1.600]	0.00[.000]	30	2-1888292-4
2	35.56[1.400]	14	38.51[1.516]	40.64[1.600]	0.00[.000]	30	2-1888292-3
3	33.02[1.300]	13	35.97[1.416]	38.10[1.500]	1.27[.050]	28	2-1888292-2
2	33.02[1.300]	13	35.97[1.416]	38.10[1.500]	1.27[.050]	28	2-1888292-1
3	30.48[1.200]	12	33.43[1.316]	35.56[1.400]	0.00[.000]	26	2-1888292-0
2	30.48[1.200]	12	33.43[1.316]	35.56[1.400]	0.00[.000]	26	1-1888292-9
3	27.94[1.100]	11	30.89[1.216]	33.02[1.300]	1.27[.050]	24	1-1888292-8
2	27.94[1.100]	11	30.89[1.216]	33.02[1.300]	1.27[.050]	24	1-1888292-7
3	25.40[1.000]	10	28.35[1.116]	30.48[1.200]	0.00[.000]	22	1-1888292-6
2	25.40[1.000]	10	28.35[1.116]	30.48[1.200]	0.00[.000]	22	1-1888292-5
3	22.86[0.900]	9	25.81[1.016]	27.94[1.100]	1.27[.050]	20	1-1888292-4
2	22.86[0.900]	9	25.81[1.016]	27.94[1.100]	1.27[.050]	20	1-1888292-3
3	20.32[0.800]	8	23.27[0.916]	25.40[1.000]	0.00[.000]	18	1-1888292-2
2	20.32[0.800]	8	23.27[0.916]	25.40[1.000]	0.00[.000]	18	1-1888292-1
3	17.78[0.700]	7	20.73[0.816]	22.86[0.900]	1.27[.050]	16	1-1888292-0
2	17.78[0.700]	7	20.73[0.816]	22.86[0.900]	1.27[.050]	16	1888292-9
3	15.24[0.600]	6	18.19[0.716]	20.32[0.800]	0.00[.000]	14	1888292-8
2	15.24[0.600]	6	18.19[0.716]	20.32[0.800]	0.00[.000]	14	1888292-7
3	12.70[0.500]	5	15.65[0.616]	17.78[0.700]	1.27[.050]	12	1888292-6
2	12.70[0.500]	5	15.65[0.616]	17.78[0.700]	1.27[.050]	12	1888292-5
3	10.16[0.400]	4	13.11[0.516]	15.24[0.600]	0.00[.000]	10	1888292-4
2	10.16[0.400]	4	13.11[0.516]	15.24[0.600]	0.00[.000]	10	1888292-3
3	7.62[0.300]	3	10.57[0.416]	12.70[0.500]	1.27[.050]	8	1888292-2
2	7.62[0.300]	3	10.57[0.416]	12.70[0.500]	1.27[.050]	8	1888292-1

THIS DRAWING IS A CONTROLLED DOCUMENT. DIMENSIONING AND TOLERANCING PER ASME Y14.5M-2009.

DIMENSIONS: mm [INCHES]	TOLERANCES UNLESS OTHERWISE SPECIFIED:	DIN B1 MCMASTER 07JUN06	TE Connectivity
0 PLC ± -	1 PLC ± -	07JUN06	TE Connectivity
2 PLC ± -	3 PLC ± 0.13[.005]	07JUN06	TE Connectivity
4 PLC ± -	ANGLES ± -	07JUN06	TE Connectivity

MATERIAL: 1 FINISH: SEE TABLE

APPROVED: D. GORENC


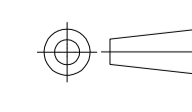
NAME: HEADER ASSY, RIGHT ANGLE, DOUBLE ROW, FLEXPAC

SIZE: A1 CASE CODE: 00779 DRAWING NO: 1888292

WEIGHT: -

CUSTOMER DRAWING SCALE: 5:1 SHEET: 1 OF 2 REV: D

△ ₅	17.78[.700]	7	20.73[.816]	22.86[.900]	1.27[.050]	16	6-1888292-0
△ ₃	78.74[3.100]	31	81.69[3.216]	83.82[3.300]	1.27[.050]	64	5-1888292-8
△ ₂	78.74[3.100]	31	81.69[3.216]	83.82[3.300]	1.27[.050]	64	5-1888292-7
△ ₃	76.20[3.000]	30	79.15[3.116]	81.28[3.200]	0.00[.000]	62	5-1888292-6
△ ₂	76.20[3.000]	30	79.15[3.116]	81.28[3.200]	0.00[.000]	62	5-1888292-5
△ ₃	73.66[2.900]	29	76.61[3.016]	78.74[3.100]	1.27[.050]	60	5-1888292-4
△ ₂	73.66[2.900]	29	76.61[3.016]	78.74[3.100]	1.27[.050]	60	5-1888292-3
△ ₃	71.12[2.800]	28	74.07[2.916]	76.20[3.000]	0.00[.000]	58	5-1888292-2
△ ₂	71.12[2.800]	28	74.07[2.916]	76.20[3.000]	0.00[.000]	58	5-1888292-1
△ ₃	68.58[2.700]	27	71.53[2.816]	73.66[2.900]	1.27[.050]	56	5-1888292-0
△ ₂	68.58[2.700]	27	71.53[2.816]	73.66[2.900]	1.27[.050]	56	4-1888292-9
△ ₃	66.04[2.600]	26	68.99[2.716]	71.12[2.800]	0.00[.000]	54	4-1888292-8
△ ₂	66.04[2.600]	26	68.99[2.716]	71.12[2.800]	0.00[.000]	54	4-1888292-7
△ ₃	63.50[2.500]	25	66.45[2.616]	68.58[2.700]	1.27[.050]	52	4-1888292-6
△ ₂	63.50[2.500]	25	66.45[2.616]	68.58[2.700]	1.27[.050]	52	4-1888292-5
△ ₃	60.96[2.400]	24	63.91[2.516]	66.04[2.600]	0.00[.000]	50	4-1888292-4
△ ₂	60.96[2.400]	24	63.91[2.516]	66.04[2.600]	0.00[.000]	50	4-1888292-3
△ ₃	58.42[2.300]	23	61.37[2.416]	63.50[2.500]	1.27[.050]	48	4-1888292-2
△ ₂	58.42[2.300]	23	61.37[2.416]	63.50[2.500]	1.27[.050]	48	4-1888292-1
FINISH	DIM Z	DIM Y	DIM X	DIM W	DIM V	NUMBER OF POSITIONS	PART NUMBER

THIS DRAWING IS A CONTROLLED DOCUMENT.		DIN D1 MCMASTER 07JUN06		 TE Connectivity	
DIMENSIONS: mm [INCHES]		TOLERANCES UNLESS OTHERWISE SPECIFIED:			
		0 PLC ± - 1 PLC ± - 2 PLC ± 0.13[.005] 3 PLC ± - 4 PLC ± - ANGLES ± -		NAME: HEADER ASSY, RIGHT ANGLE, DOUBLE ROW, FLEXPAC PRODUCT SPEC: - APPLICATION SPEC: -	
MATERIAL: FINISH		WEIGHT: -		SIZE: A1 CAGE CODE: 00779 DRAWING NO: 1888292 RESTRICTED TO: -	
CUSTOMER DRAWING				SCALE: 5:1 SHEET 2 OF 2 REV D	

X-ON Electronics

Largest Supplier of Electrical and Electronic Components

Click to view similar products for [FFC & FPC Connectors](#) category:

Click to view products by [TE Connectivity](#) manufacturer:

Other Similar products are found below :

[FPH-1422G](#) [FPH-1602G](#) [K-FC20](#) [FH29B-80S-0.2SHW\(99\)](#) [FPH-2022G](#) [AYF332735](#) [52610-1075](#) [52610-1275](#) [52610-1934](#) [501864-3091-TR225](#) [086222026001800](#) [52610-0675](#) [62684-36210E9ALF](#) [52746-1671-TR250](#) [10051922-2810EHLF](#) [6-520415-9](#) [SFV6R-1STE9HLF](#) [XF3M-2915-1B-R100](#) [1658549-1](#) [AYF534065TA](#) [AYF351525](#) [086212040340800+](#) [67000-014LF](#) [67000-004LF](#) [006207341915000+](#) [DS1020-19RT1D](#) [67000-003LF](#) [67000-011LF](#) [67000-016LF](#) [HFW14R-2STE9LF](#) [SFV32R-2STBE9HLF](#) [SFW12R-5STE9LF](#) [SFW18R-1STAE9LF](#) [SFW4R-5STE9LF](#) [52807-0430](#) [046283021002868+](#) [THD1015-8CL-SN](#) [67000-006LF](#) [502250-8027](#) [104267-9617](#) [66987-011LF](#) [AYF362535](#) [F0501-T-50-20T-R](#) [F1003-ZV-12-25T-R](#) [HFW8S-2STAE1HLF](#) [67000-008LF](#) [67000-012LF](#) [ECC576069EU](#) [F1002-B-20-20T-R](#) [HFW15S-2STAE1HLF](#)