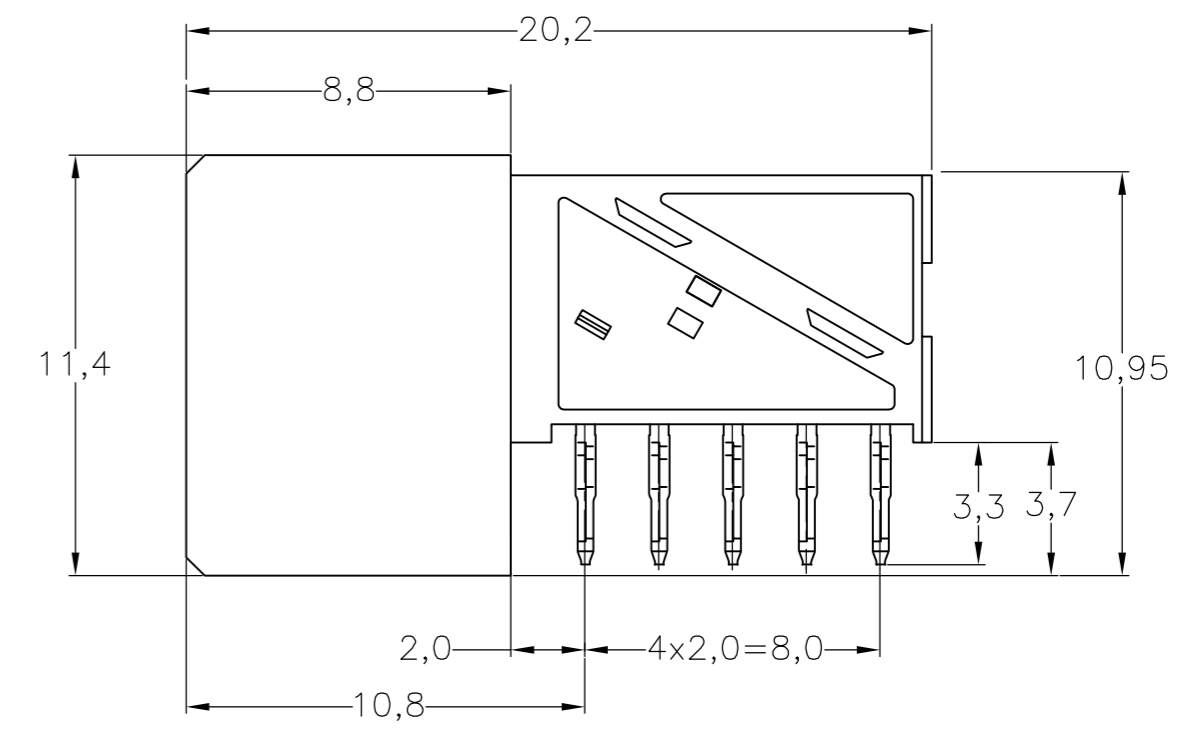
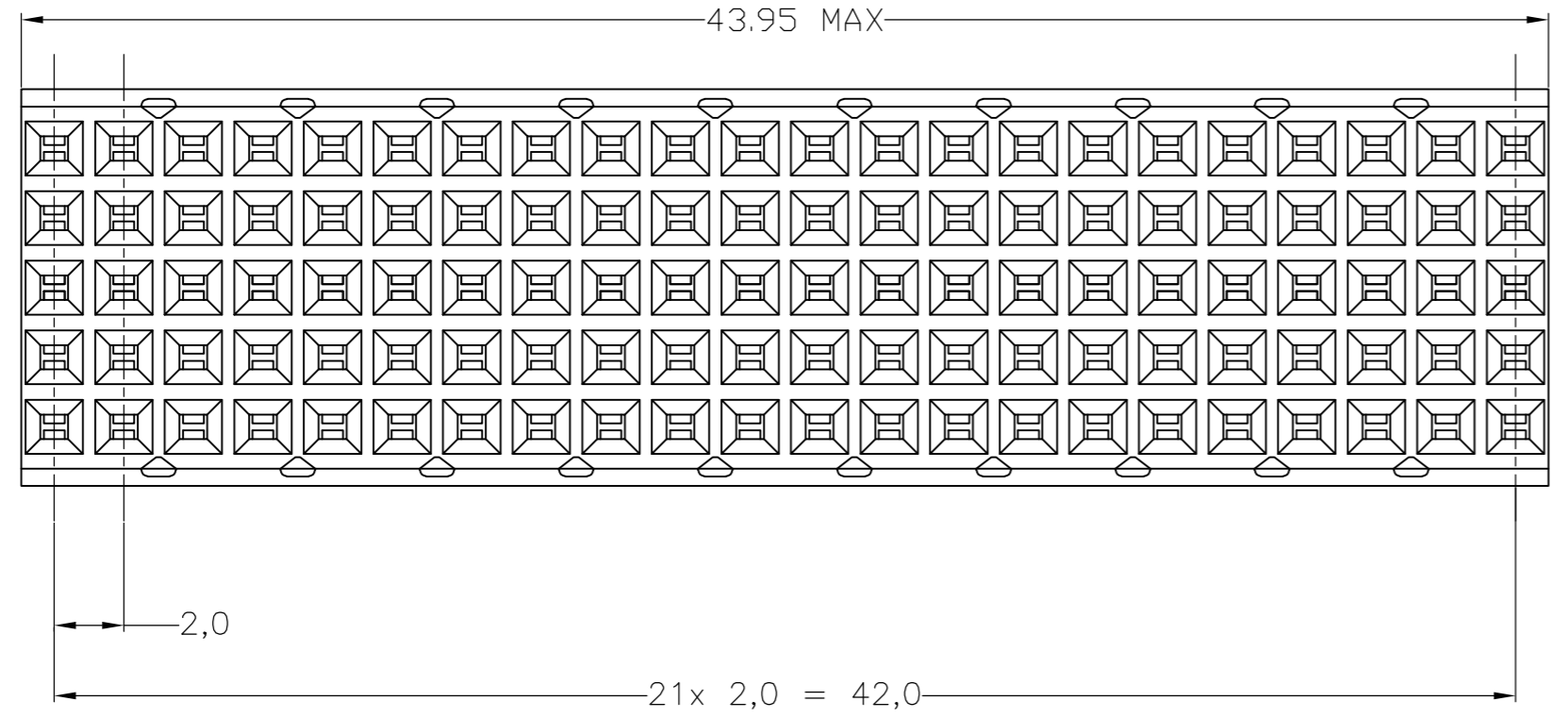
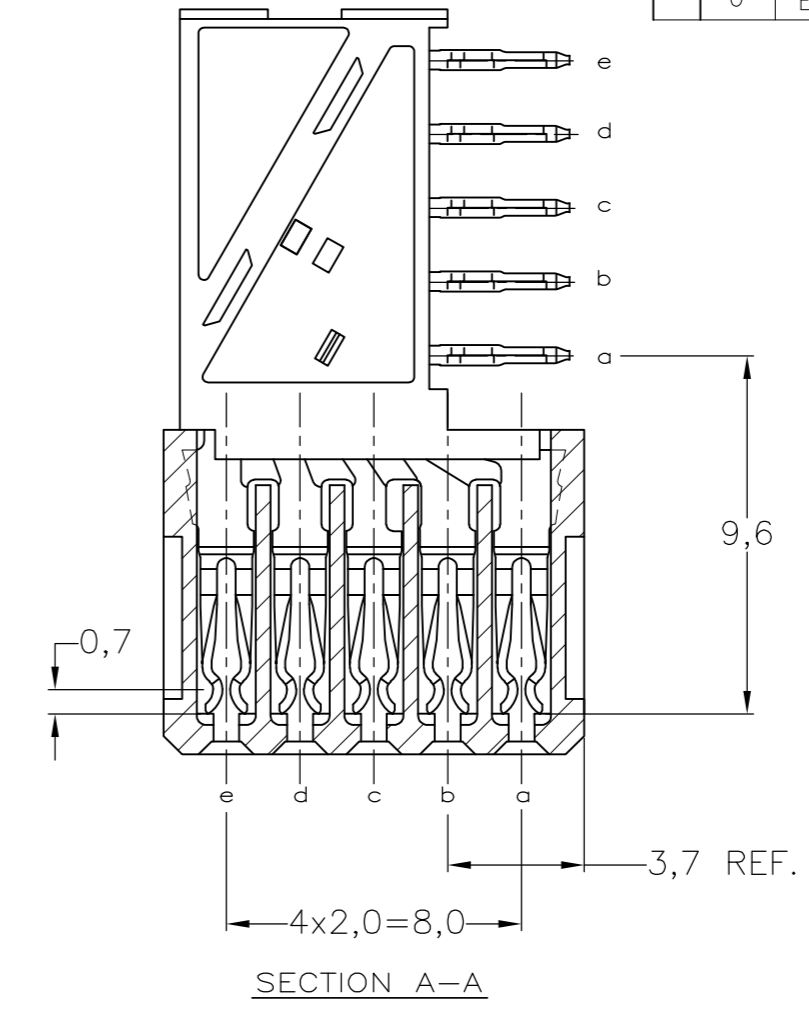
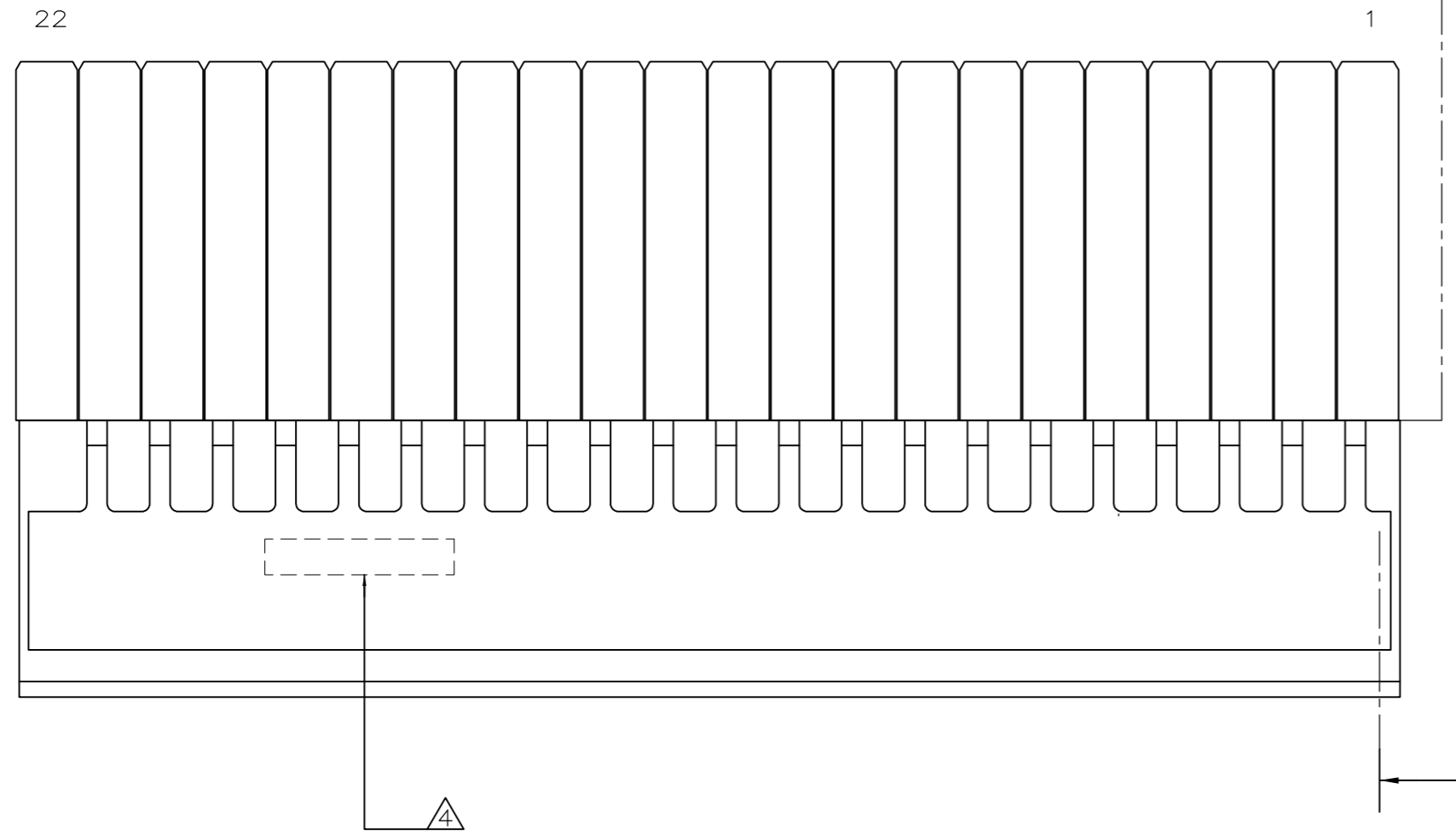
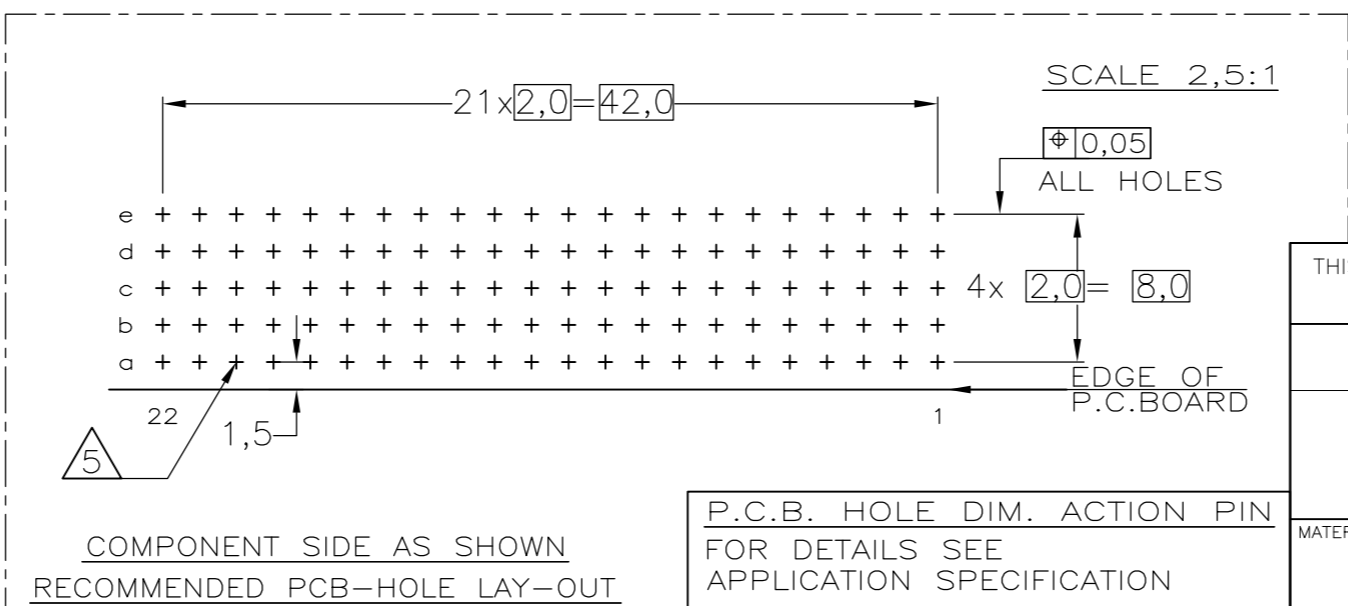


| LOC | | DIST | | REVISIONS | | | |
|-----|-----|--------------------------|-----------|-----------|------|--|--|
| P | LTR | DESCRIPTION | DATE | DWN | APVD | | |
| | G | REVISE PER ECO-10-018803 | 14SEP2010 | LC | CW | | |
| | H | ECO-12-003005 | 22FEB12 | SY | MQW | | |
| | J | ECR-12-009867 | 25NOV12 | SY | AC | | |



- NOTES:
- ① MATERIAL CONTACT; PHOSPHORBRONZE
MATERIAL HOUSING; GLASSFILLED POLYESTER (GRAY)
UL-RATING 94V0.
 - ② GENERAL PLATING SPECIFICATION: UNDERPLATING (ENTIRE CONTACT):
1,27µm NICKEL MIN. AND ACTION PIN: 0,5µm TIN-LEAD MIN.
FOR PLATING OF MATING SURFACES SEE APPLICABLE SPECIFICATION
REFERENCE FOR EACH DASH NUMBER.
 - ③ CONFORMS TO ALL TESTING ACCORDING IEC 61076-4-101
PERFORMANCE LEVEL 2.
 - ④ CONNECTOR PRINTED WITH PARTNUMBER AND DATECODE
 - ⑤ PLATED-THROUGH HOLES AT 2x2mm SQUARE GRID. 110 HOLES
 - ⑥ FITS WITH INTEGRATED GROUND RETURN UPSHIELD
BASIC P.N. 352151
 - ⑦ CONNECTOR TESTED AND QUALIFIED AGAINST TELCORDIA
GR-1217-CORE QUALITY LEVEL III, CENTRAL OFFICE APPLICATIONS.
 - ⑧ 0.76µm MIN GOLD PLATING AT MATING SURFACES.



| | | | |
|----------|--------|----------|------------|
| | ②③⑧ | ① | 3-188836-0 |
| OBSOLETE | ②③ | ① | 188836-9 |
| OBSOLETE | ②③ | ① | 188836-1 |
| | FINISH | MATERIAL | PARTNUMBER |

THIS DRAWING IS A CONTROLLED DOCUMENT.

| | | | |
|----------------|--|------------------------|--|
| DIMENSIONS: MM | TOLERANCES UNLESS OTHERWISE SPECIFIED: | DWN E.MÖHLMANN 11FEB97 | Tyco Electronics Corporation s--HertogenBosch, Netherlands, |
| 0 PLC ± 0.2 | 1 PLC ± 0.2 | CHK W.V.D.HEIJDEN | |
| 2 PLC ± 0.2 | 3 PLC ± 0.2 | APVD F.V.KONINGSBRUGGE | NAME |
| 4 PLC ± - | ANGLES ± - | PRODUCT SPEC | Z-PACK 2MM HM |
| MATERIAL | FINISH | APPLICATION SPEC | 110 POS. FEMALE DAUGHTER CARD CONN. (22 COLUMNS) |
| | | WEIGHT | SIZE CAGE CODE DRAWING NO RESTRICTED TO |
| | | | A2 00779 C-188836 - |
| | | CUSTOMER DRAWING | SCALE NTS SHEET 1 OF 1 REV J |

X-ON Electronics

Largest Supplier of Electrical and Electronic Components

Click to view similar products for [Hard Metric Connectors](#) category:

Click to view products by [TE Connectivity](#) manufacturer:

Other Similar products are found below :

[10146110-VR5C](#) [6345127-1](#) [646916-9](#) [853016](#) [973108](#) [1-2000676-2](#) [1-2000713-0](#) [1-2000713-2](#) [1-2000713-3](#) [134187](#) [1645343-1](#) [1645456-1](#) [1645601-1](#) [1934822-1](#) [223085-1](#) [278071110010833](#) [1645245-1](#) [1645525-1](#) [1645570-1](#) [1645596-1](#) [1857470-1](#) [1934275-1](#) [1934289-1](#) [1934759-1](#) [2000673-1](#) [204975](#) [2170292-2](#) [2-536642-6](#) [3-100668-0](#) [352188-1](#) [352629-1](#) [3-646346-0](#) [3-646457-0](#) [3-646529-0](#) [5120823-1](#) [5120899-1](#) [3-100145-0](#) [3-100147-0](#) [3-100669-1](#) [HM2DK2368PLF](#) [5646530-1](#) [3-352049-0](#) [3-352069-0](#) [3-352115-0](#) [3-352638-0](#) [352189-1](#) [3-646357-0](#) [3-646487-0](#) [3-646513-0](#) [51208191](#)