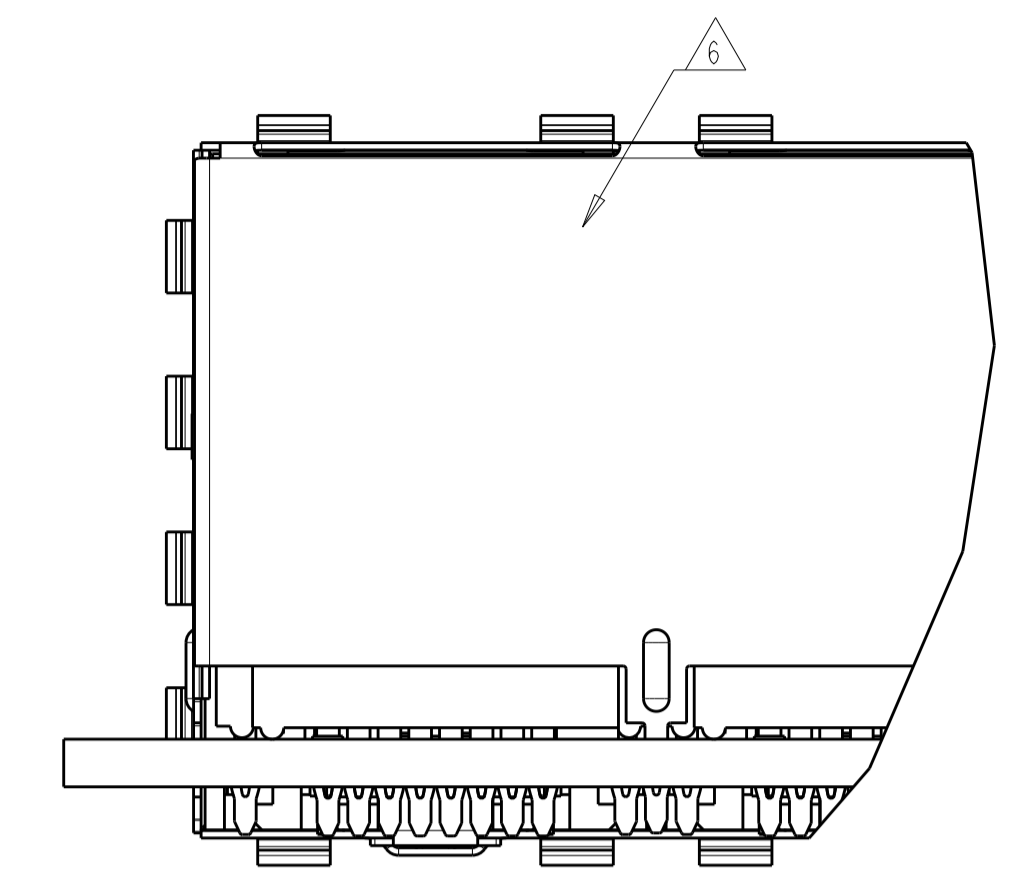
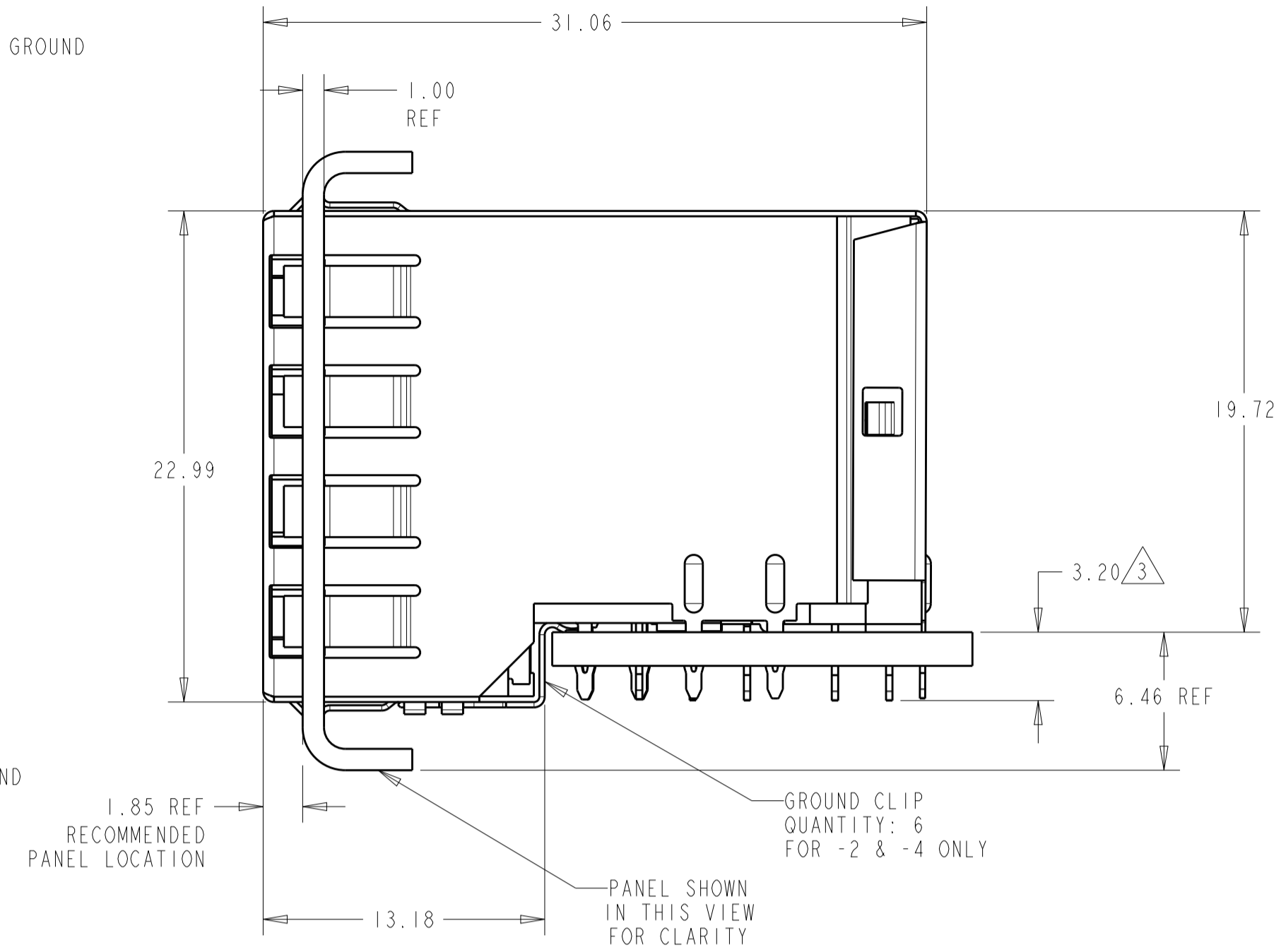
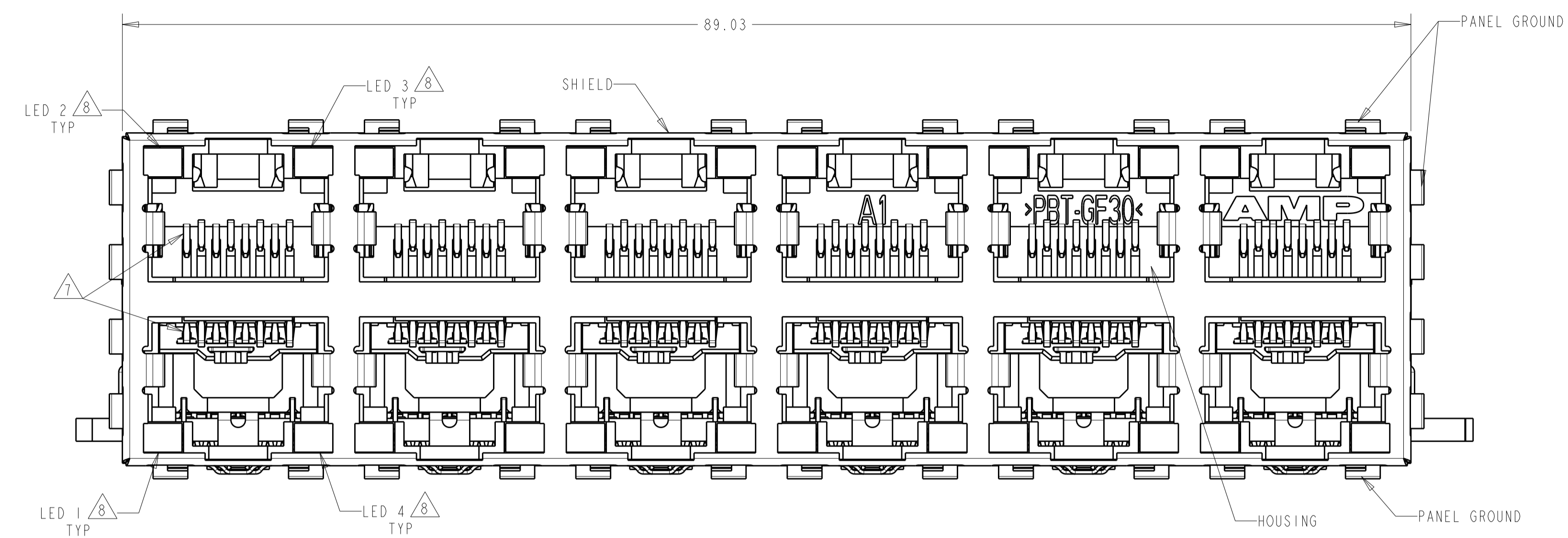
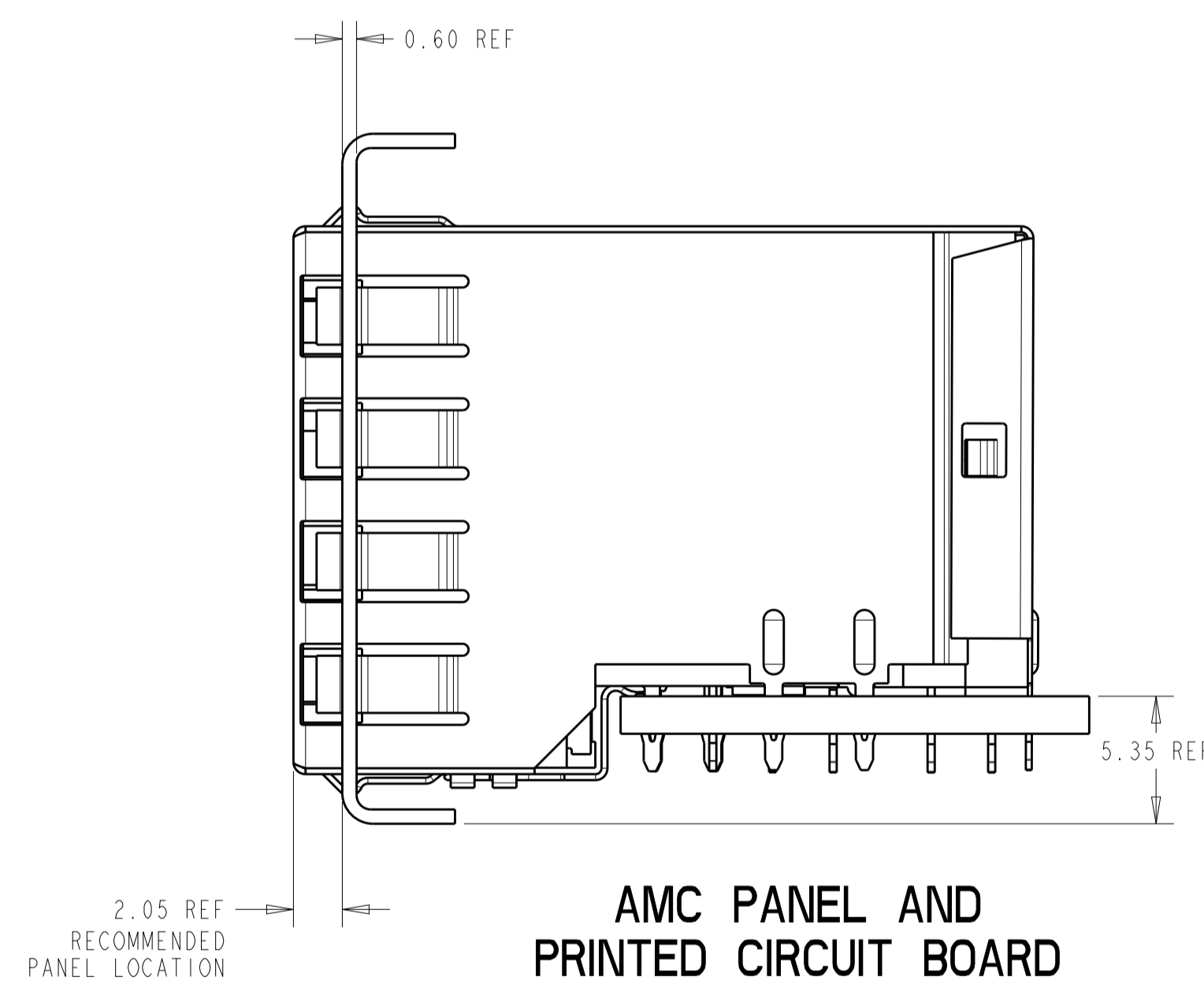


| REVISIONS | | | | | |
|-----------|-----|-----------------------|-----------|-----|------|
| P | LTN | DESCRIPTION | DATE | DWN | APVD |
| B | | REV PER ECO-07-001858 | 28MAR2007 | RG | JW |
| B1 | | ADDED NEW DASH NUMBER | 23MAY2008 | DZ | SY |
| B2 | | ECR-08-020353 | 13AUG2008 | AL | SY |
| C | | ECO-15-006810 | 22JAN2016 | LL | SH |



ATCA PANEL AND PRINTED CIRCUIT BOARD ASSEMBLY LAYOUT

- MATERIAL:
 HOUSING:
 PBT POLYESTER, BLACK, UL 94V-0
 TERMINALS:
 0.33 THICK PHOSPHOR BRONZE PLATED WITH 1.27µm MINIMUM THICK HARD GOLD IN LOCALIZED AREA AND 2.0µm MINIMUM THICK MATTE TIN IN COMPLIANT PIN TERMINAL AREA OVER 1.27µm MINIMUM THICK NICKEL UNDERPLATE
 SHIELD:
 0.25 THICK COPPER ALLOY PLATED WITH 2.03µm MINIMUM TIN OVER 1.27 µm MINIMUM NICKEL
 GROUND CLIP: 0.25 THICK COPPER ALLOY PRE-PLATED WITH 2.03µm MINIMUM MATTE TIN OVER 1.27µm MINIMUM NICKEL
 LIGHT EMITTING DIODE (LED):
 DIFFUSED EPOXY LENS, 12.95 CARBON STEEL WIREFRAME LEADS PREPLATED WITH 8.89µm THICK Sn/Cu OVER 2.03µm THICK Ag OVER 1.02µm THICK Cu OVER 3.56µm THICK Ni OVER 1.02µm THICK Cu UNDERPLATE
 LED COMPLIANT PIN CONTACTS:
 0.3 THICK BRASS PLATED WITH 2µm MINIMUM MATTE TIN OVER 1.27µm MINIMUM NICKEL UNDERPLATE.



AMC PANEL AND PRINTED CIRCUIT BOARD ASSEMBLY LAYOUT

- JACK CAVITY CONFORMS TO FCC RULES AND REGULATIONS, PART 68 SUBPART F.
- 3 MAXIMUM PIN LENGTH 3.40 FROM TOP SURFACE OF PC BOARD
 - 4 FINISHED PLATED THROUGH HOLE DIAMETER - ANNULAR RING DIAMETER 1.3 TO 1.5
 - 5 DATUMS AND BASIC DIMENSIONS ESTABLISHED BY CUSTOMER
 - 6 DATE CODE LOCATED ON REAR OF PART APPROXIMATELY AS SHOWN
 - 7 CONTACTS ARE NOT INTENDED TO BE ALIGNED WITH EACH OTHER
 - 8 SUGGESTED OPERATING CURRENT FOR LEDS IS 20mA
 - 9 NO PANEL GROUNDS.

| | | | | | | |
|-------|----------------------|----------------------|---------------------|---------------------|---------------------|-------------|
| 15.88 | GREEN/YELLOW | GREEN/YELLOW | GREEN/YELLOW | GREEN/YELLOW | WITH GROUND CLIP | 1888509-5 |
| 15.88 | GREEN/YELLOW | GREEN/YELLOW | GREEN/YELLOW | GREEN/YELLOW | WITH GROUND CLIP | 1888509-4 |
| 16.13 | YELLOW | YELLOW | GREEN | GREEN | WITHOUT GROUND CLIP | 1888509-3 |
| 15.88 | GREEN | GREEN | GREEN | GREEN | WITH GROUND CLIP | 1888509-2 |
| 16.13 | GREEN | GREEN | GREEN | GREEN | WITHOUT GROUND CLIP | 1888509-1 |
| M DIM | LED #4 (LOWER-RIGHT) | LED #3 (UPPER-RIGHT) | LED #2 (UPPER-LEFT) | LED #1 (LOWER-LEFT) | DESCRIPTION | PART NUMBER |

THIS DRAWING IS A CONTROLLED DOCUMENT. DWN: L.A. MAYER 28OCT2006
 CHG: J. WESTMAN 28OCT2006
 APVD: S. FLICKINGER 28OCT2006

STE TE Connectivity

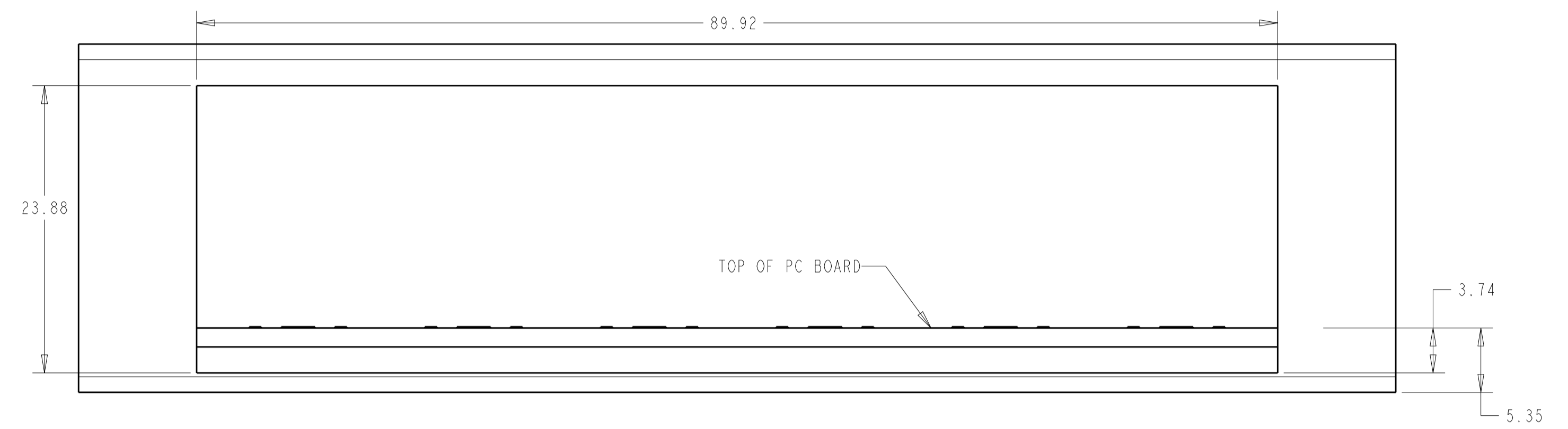
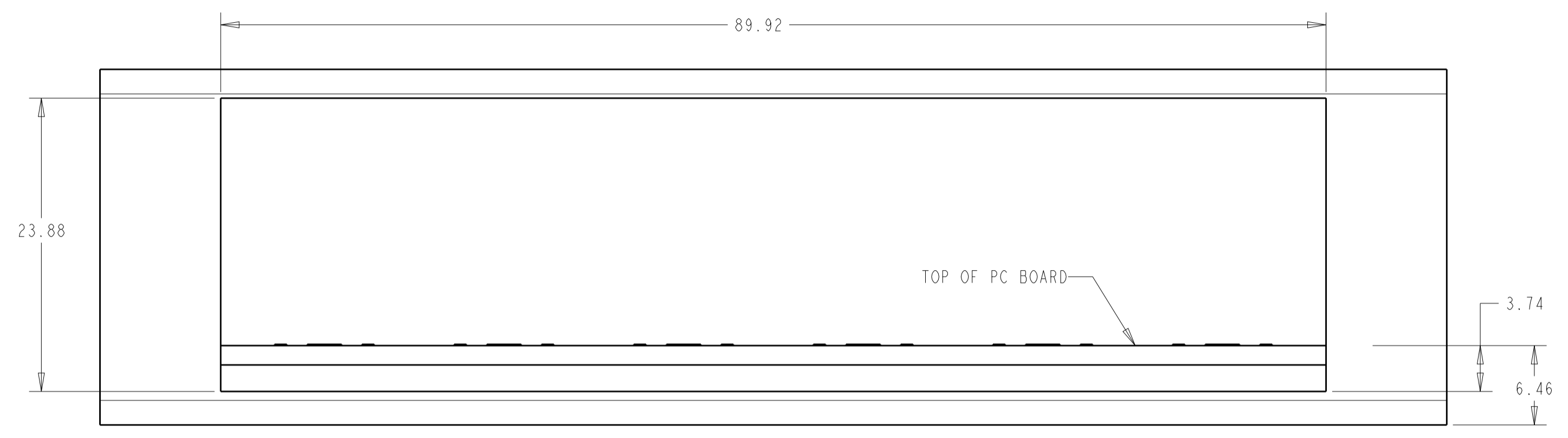
NAME: STACKED MOD JACK ASSEMBLY, 2 X 6, 8 POSN, W/LEDS, RJ45, SHIELDED, PANEL GROUND, OFFSET, CAT 5

SIZE: A1 CAGE CODE: 00779 DRAWING NO: 1888509

MATERIAL: SEE NOTE 1 FINISH: SEE NOTE 1 WEIGHT: -

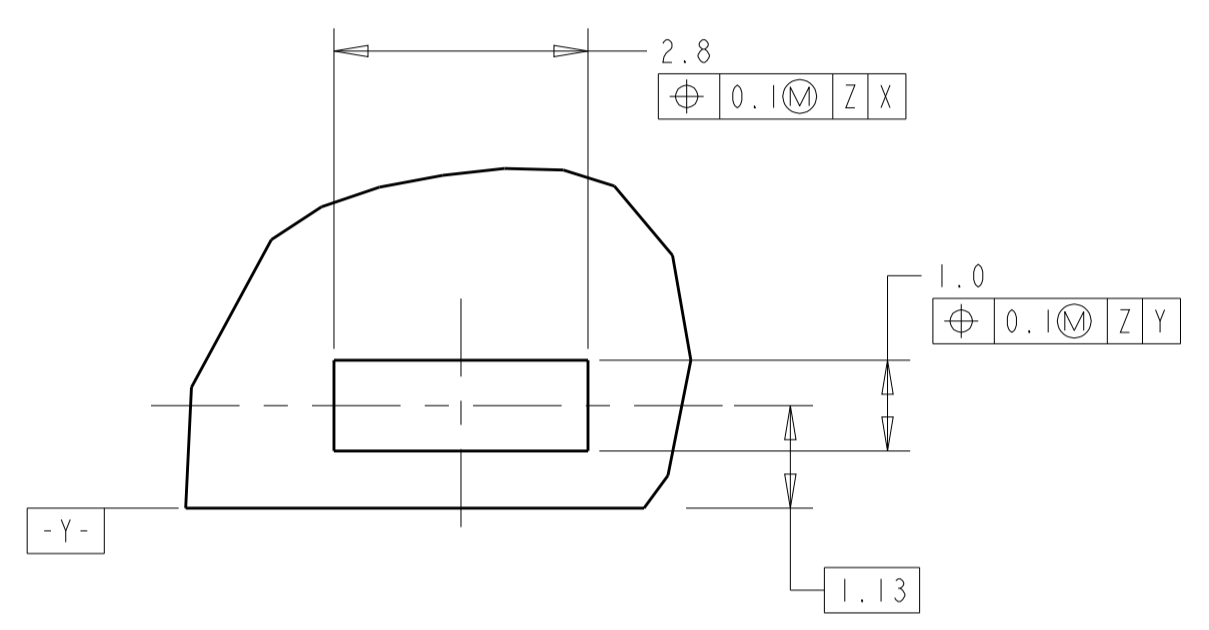
CUSTOMER DRAWING SCALE: 4:1 SHEET 1 OF 2 REV C

| REVISIONS | | | | |
|-----------|------|-------------|------|-------|
| P. | LTN. | DESCRIPTION | DATE | APVD. |
| - | - | SEE SHEET 1 | - | - |
| | | | | |
| | | | | |

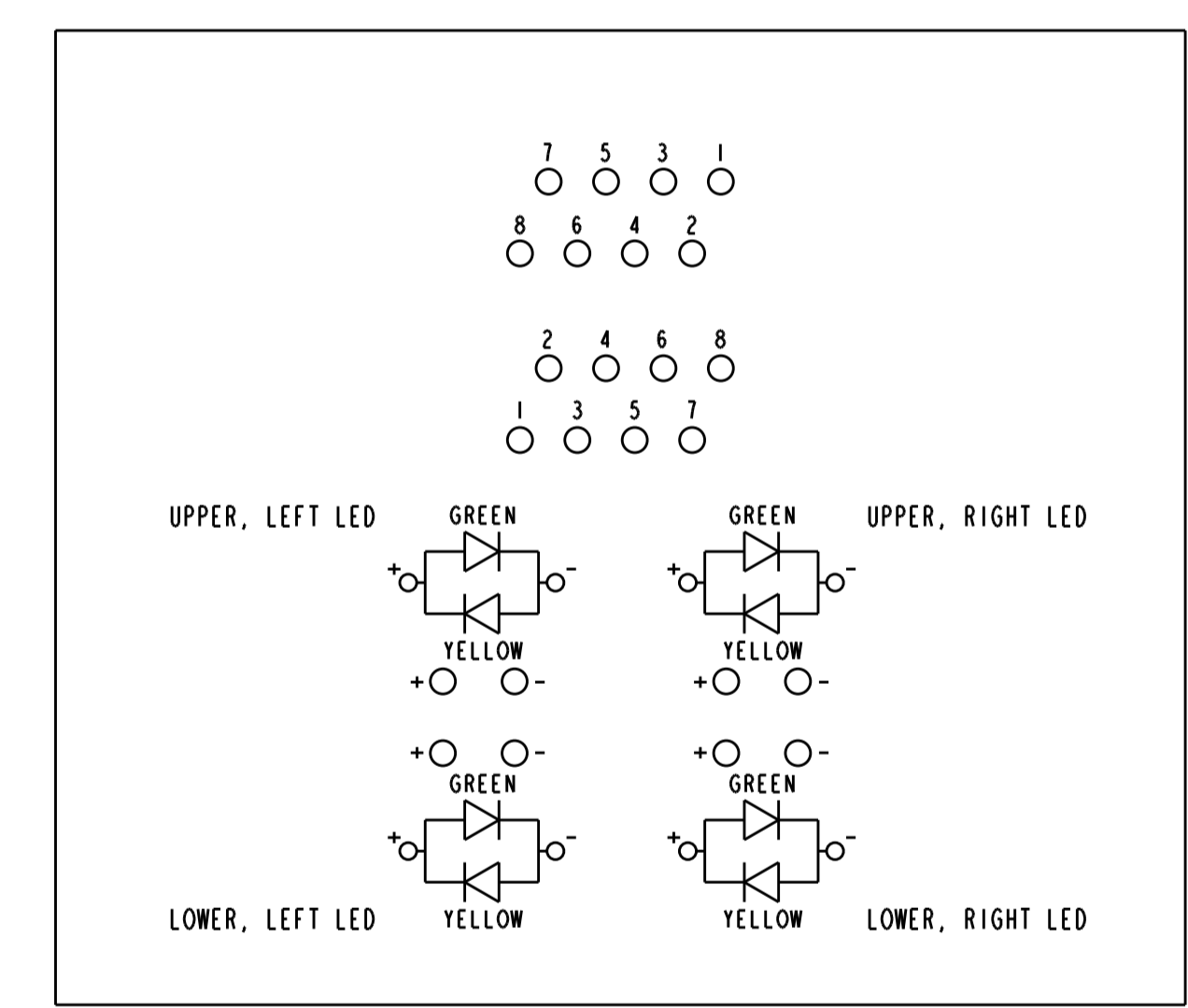


ATCA PANEL AND PRINTED CIRCUIT BOARD LAYOUT
SCALE 3:1

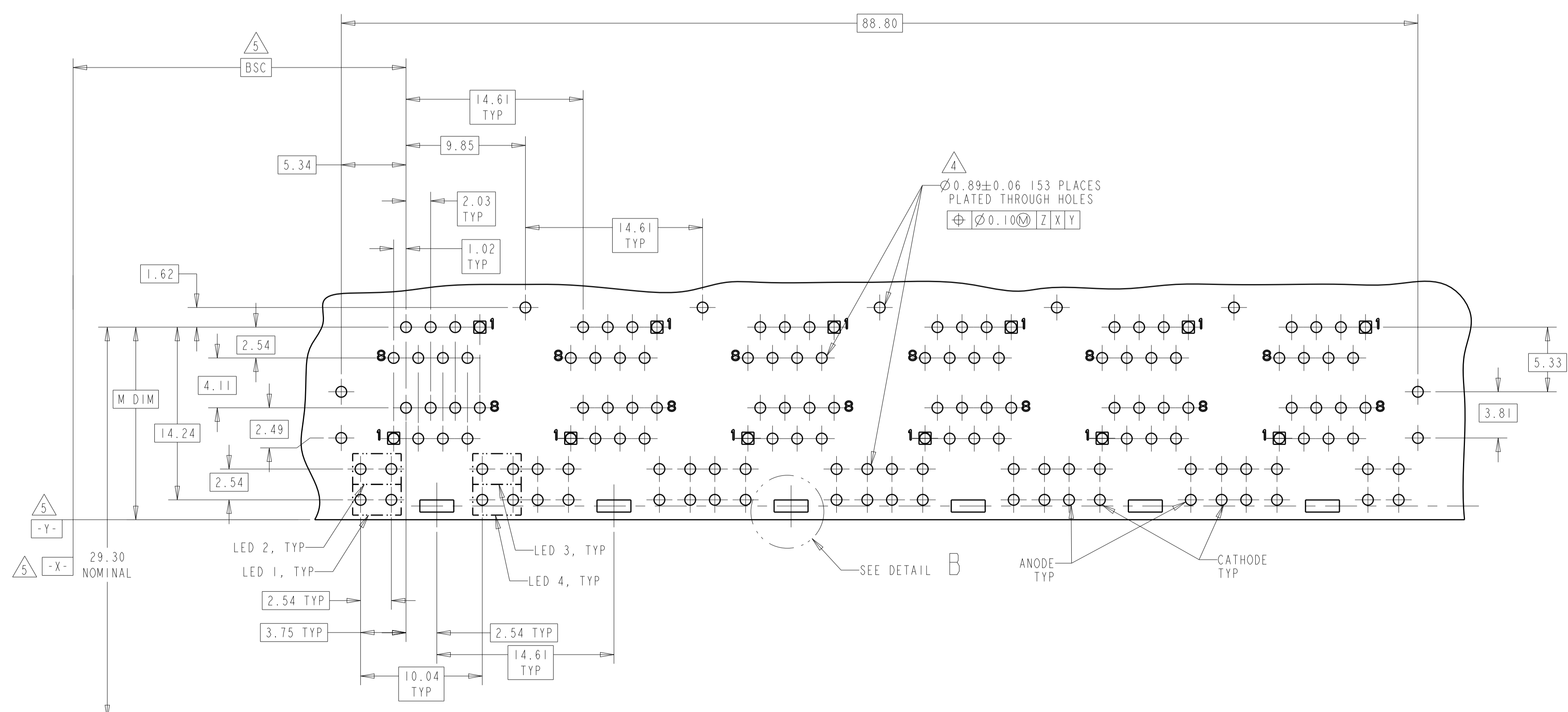
AMC PANEL AND PRINTED CIRCUIT BOARD LAYOUT
SCALE 3:1



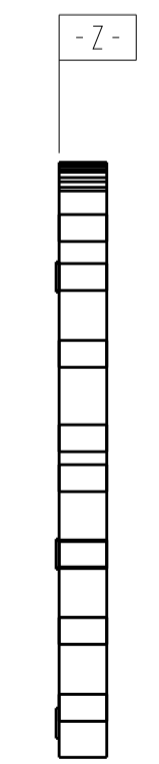
DETAIL B
SCALE 12:1
PLATED PADS REQUIRED FOR 188509-2 & -4 (PRODUCT WITH GROUNDING CLIPS)



BI-COLOR LED SCHEMATIC FOR 188509-4,5
SCALE 4:1



PC BOARD LAYOUT (COMPLIANT SIDE)



| | | | |
|--|--|--------------------------------|---|
| THIS DRAWING IS A CONTROLLED DOCUMENT. | | OWN: L.A. MAYER 28OCT2006 | STE TE Connectivity |
| DIMENSIONS: mm | | CHK: J. WESTMAN 28OCT2006 | |
| TOLERANCES UNLESS OTHERWISE SPECIFIED: | | APVD: S. FELICKINGER 28OCT2006 | NAME: STACKED MOD JACK ASSEMBLY, 2 X 6, 8 POSN, W/LEDs, RJ45, SHIELDED, PANEL GROUND, OFFSET, CAT 5 |
| 0 PLC ± | | PRODUCT SPEC: 108-1854 | |
| 1 PLC ±0.13 | | APPLICATION SPEC: 114-2160 | |
| 2 PLC ± | | WEIGHT: - | |
| 3 PLC ± | | MATERIAL: SEE NOTE 1 | SIZE: A1 00779 ©=1888509 |
| 4 PLC ± | | FINISH: SEE NOTE 1 | |
| ANGLES ±1° | | CUSTOMER DRAWING | RESTRICTED TO: - |
| SCALE: 4:1 | | SHEET: 2 OF 2 | REV: C |

X-ON Electronics

Largest Supplier of Electrical and Electronic Components

Click to view similar products for [Modular Connectors / Ethernet Connectors](#) category:

Click to view products by [TE Connectivity](#) manufacturer:

Other Similar products are found below :

[8949-H88/06BLKA/SN](#) [74441-0010/BKN](#) [MP1010RX-1000](#) [MP44RX-1000](#) [PHJ-4P4C-1-V-4](#) [PHP-6P6C-5](#) [GAX-3-66](#) [GAX-8-62](#) [GDCX-PA-66-50](#) [GDCX-PN-64](#) [GDCX-PN-66](#) [GDCX-PN-66-50](#) [GDLX-A-66](#) [GDLX-N-66](#) [GDLX-S-66](#) [GDLX-S-88K](#) [GDTX-S-88-50](#) [GDX-PA-1010](#) [GLX-N-1010M-BLK](#) [GLX-S-88M-BLK](#) [GMX-N-1010](#) [GMX-S-1010](#) [GMX-S-66](#) [GMX-SMT4-N-88](#) [GPX-2-64](#) [GSGX-N-2-88](#) [GSGX-N-4-88](#) [GSX-NS2-88-3.05](#) [GSX-NS2-88-3.05-50](#) [GSX-NS-88-3.05-50](#) [PT-108A-8C-UL](#) [PT-J951-8C](#) [PTS-J531-8CS-50UL](#) [1-1775629-2](#) [A-2014-0-4](#) [GWLX-S-88-GR](#) [GWLX-S9-88-YG](#) [DC-1021-8-WH-6](#) [1300530003](#) [1324640-4](#) [RJ11FTVC2G](#) [RJ11FTVC2N](#) [RJFTVX2SA1G](#) [132764-001](#) [1413235](#) [MP88X-1000](#) [MPS88RX-5000](#) [E5288-S000K3-L](#) [E5908-15A242-L](#) [155302-001](#)