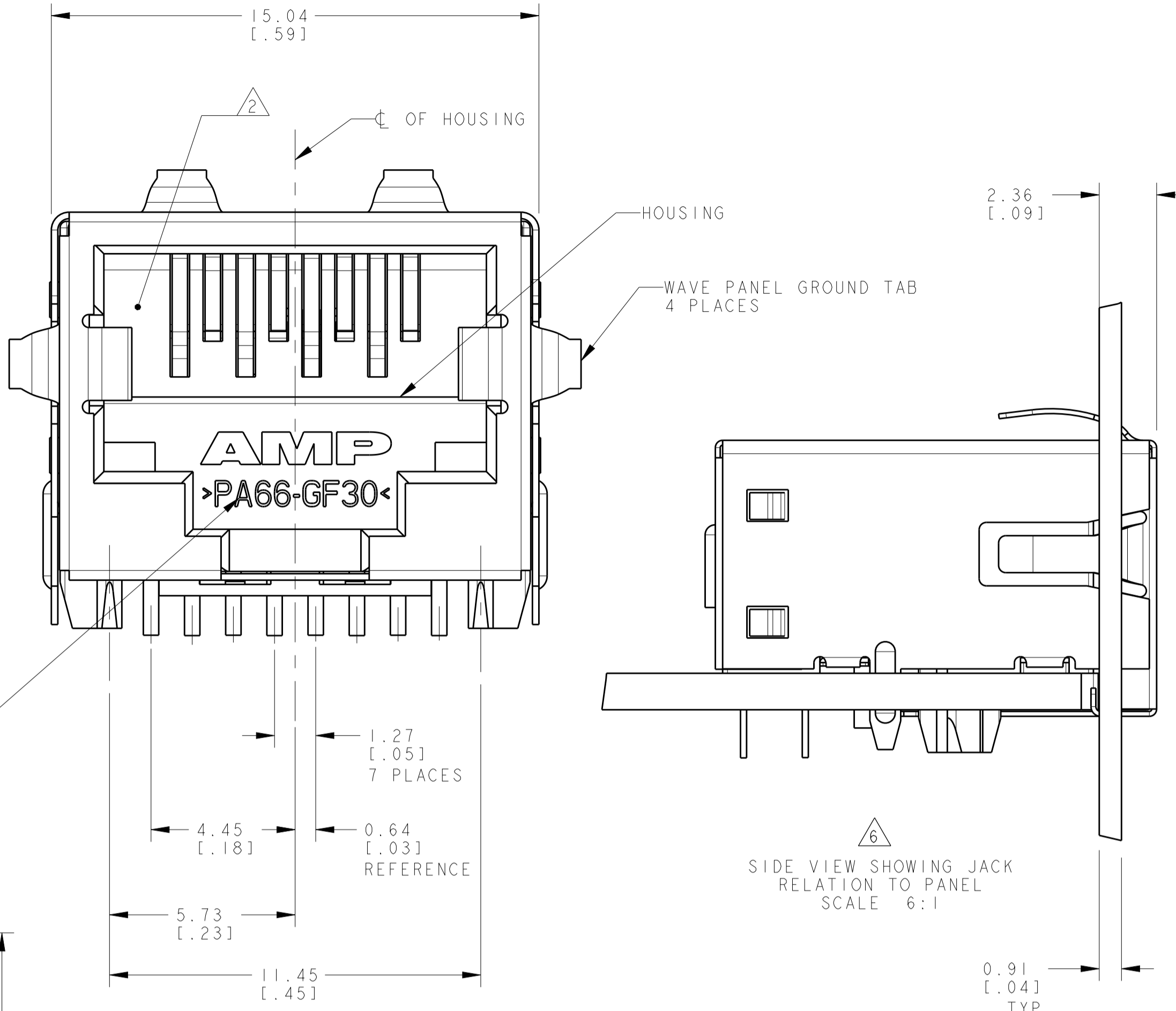
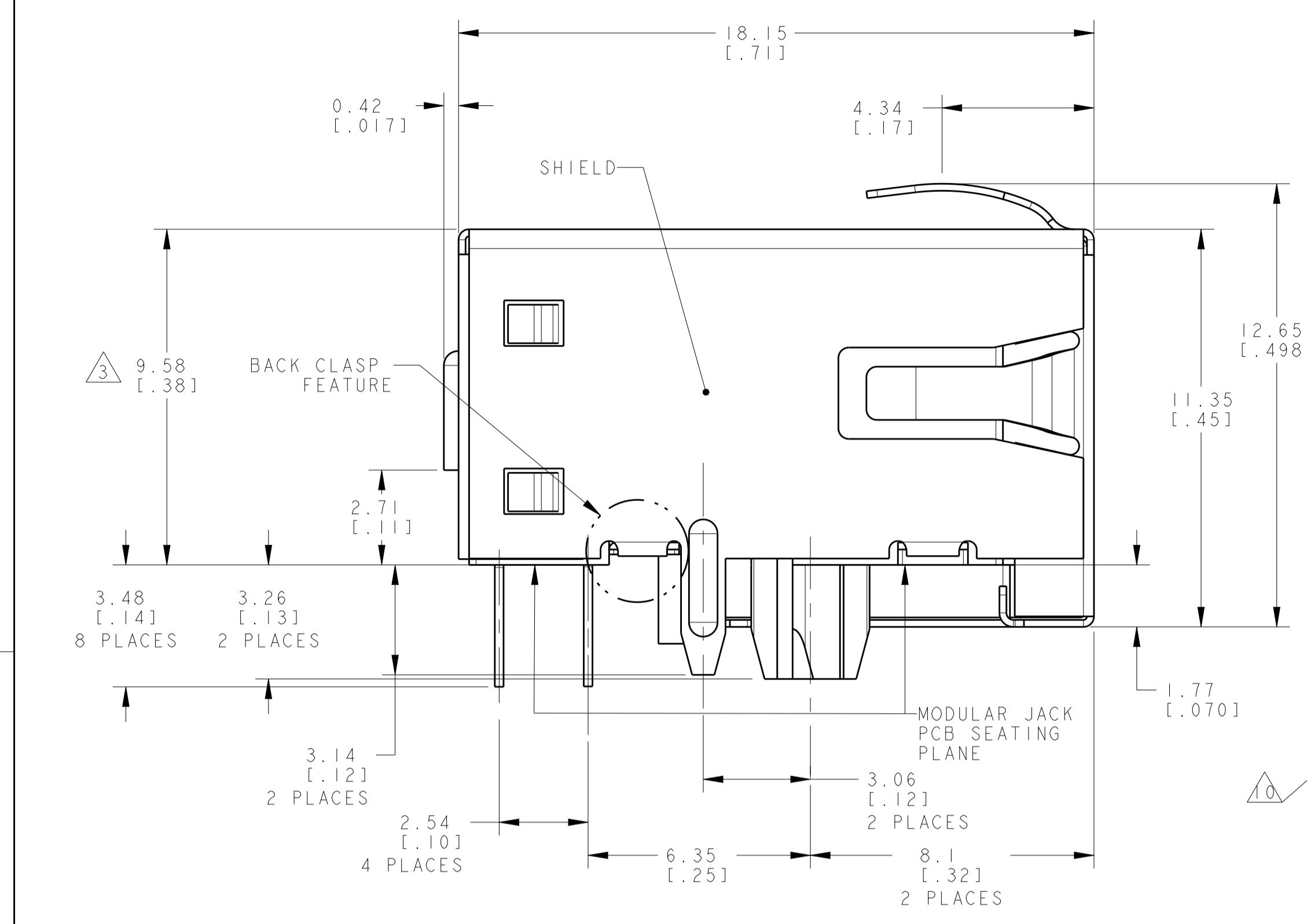
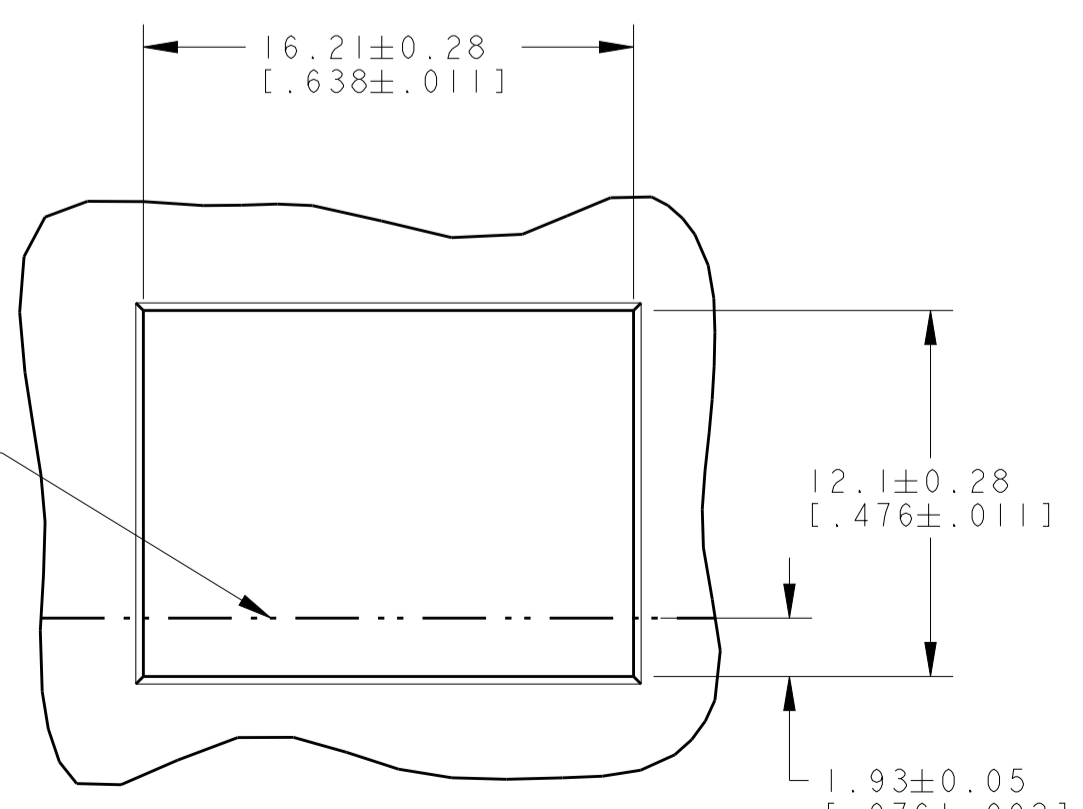
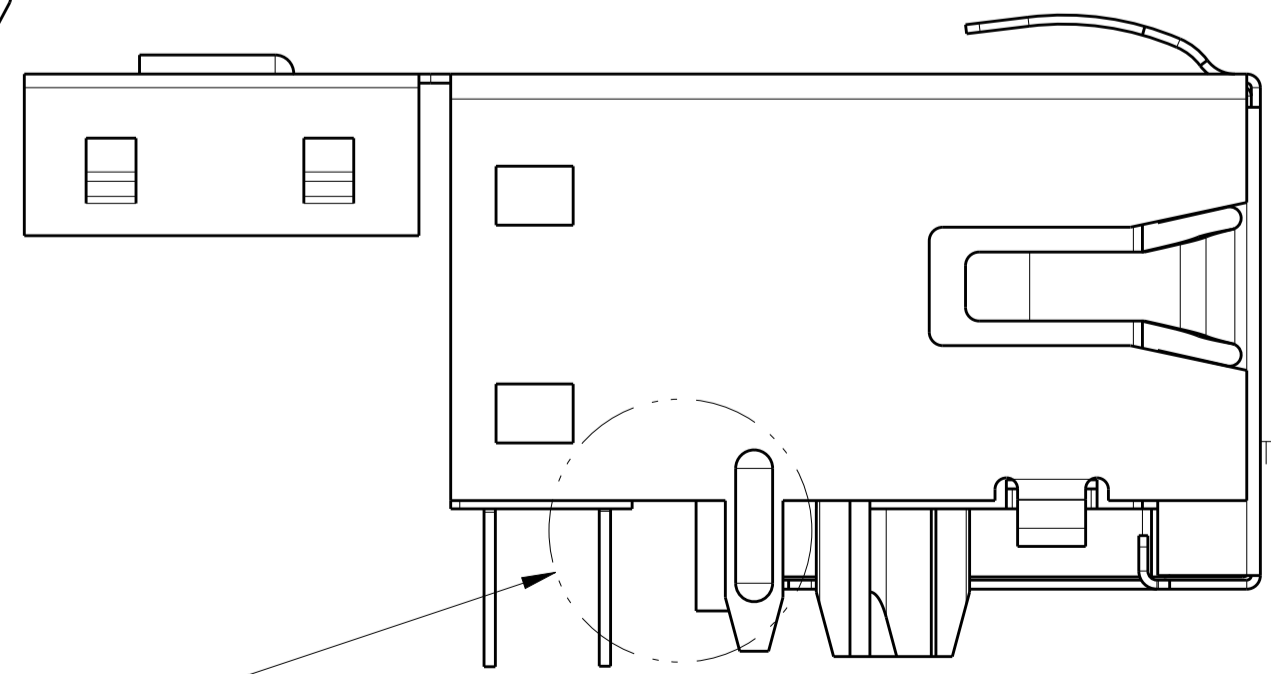
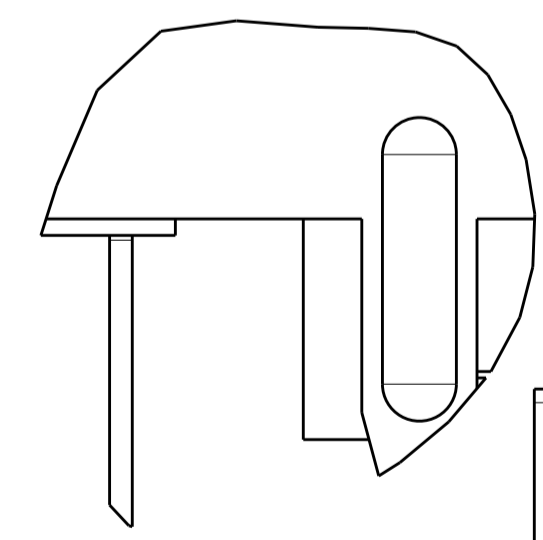
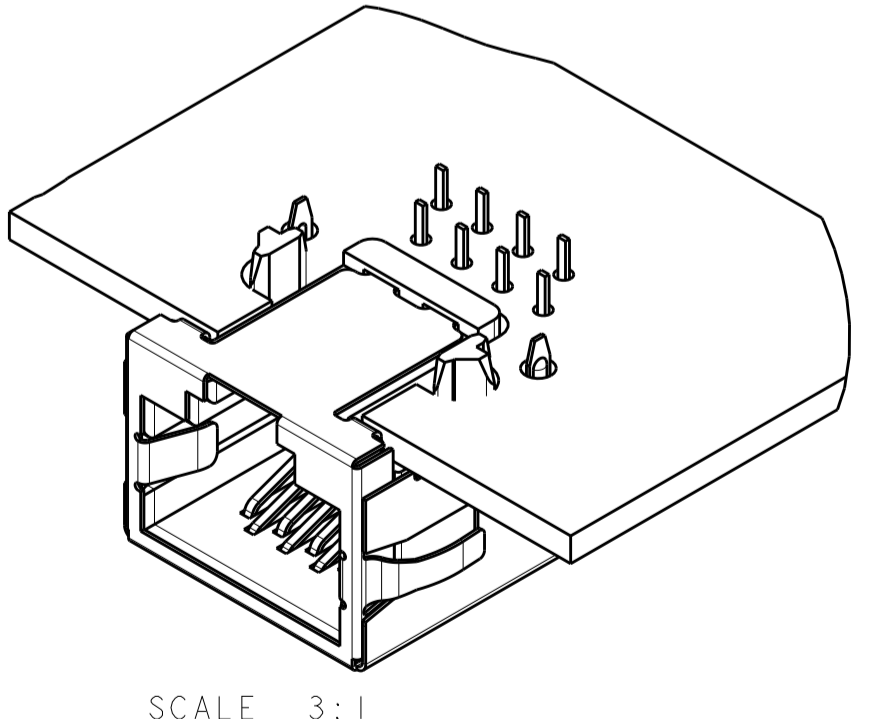
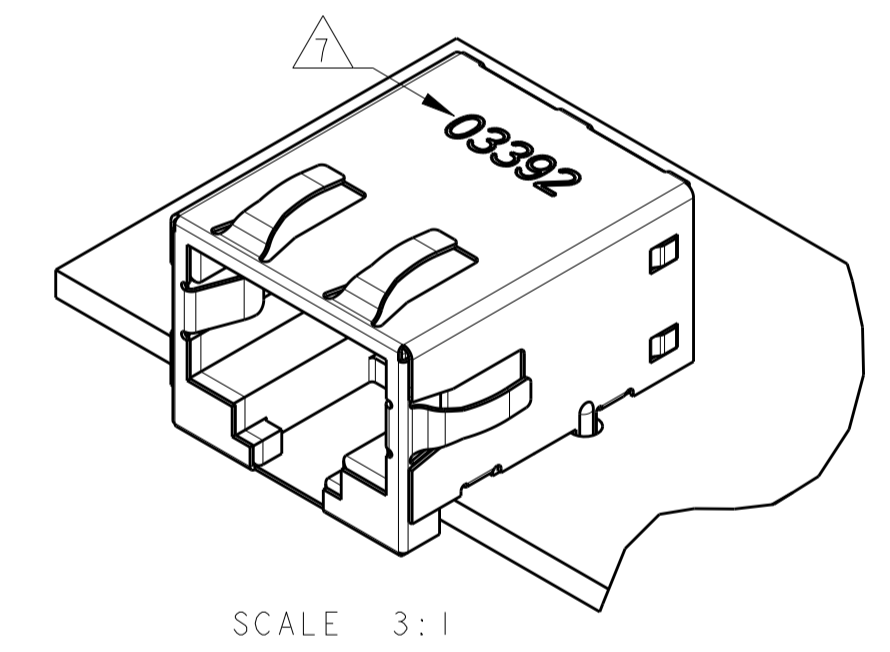
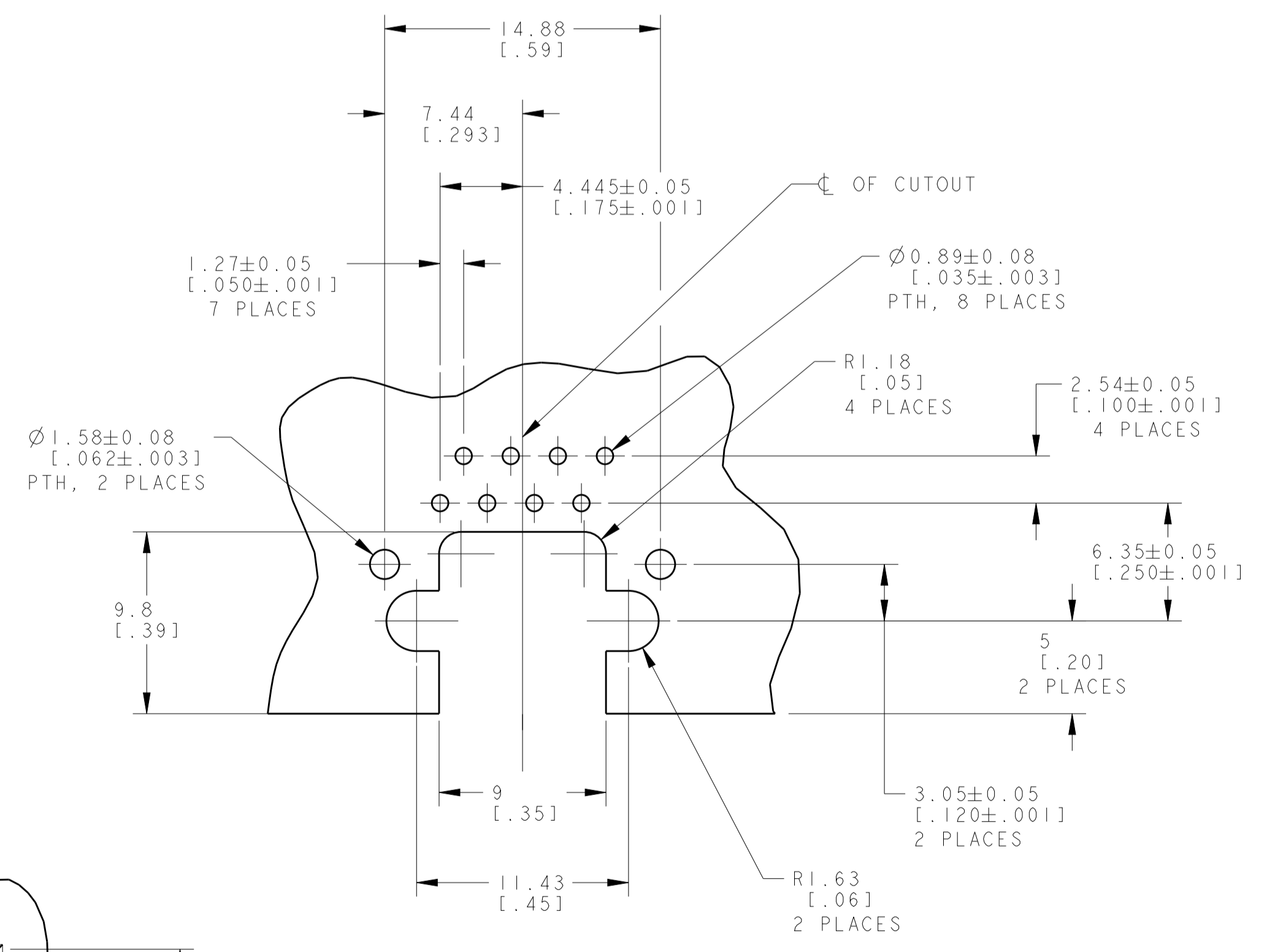
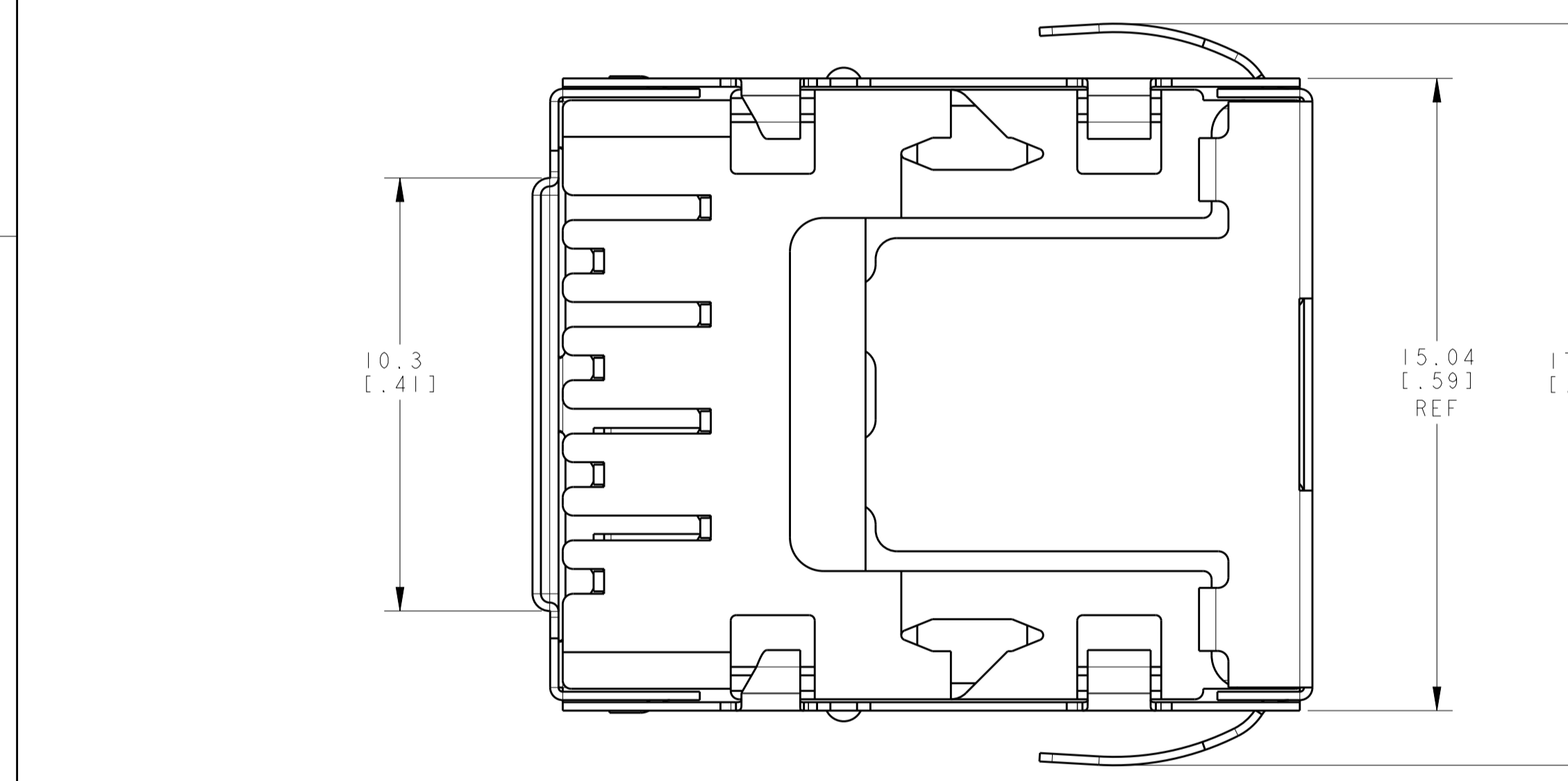


REVISIONS				
P.	LTN.	DESCRIPTION	DATE	OWN. APVD.
C		REVISE PER ECO-14-015233	27APR2015	LL SH
D		REVISE PER ECO-17-005794	23FEB2016	LL SH



- △ MATERIAL: HOUSING - HIGH TEMPERATURE NYLON, BLACK, UL 94V-0  
 TERMINALS - 0.25[.01] THICK PHOS BRONZE PLATED WITH  
 3.81µm[.000150] MINIMUM THICK MATTE TIN IN  
 SOLDER AREA, 1.27µm[.000050] MINIMUM GOLD IN  
 LOCALIZED PLATE AREA. ENTIRE TERMINAL PLATED WITH  
 1.27µm[.000050] MINIMUM THICK NICKEL.  
 SHIELD - 0.1[.0039] MIN THICK COPPER ZINC ALLOY,  
 PREPLATED WITH 2.0-4.0 µm (.000079-.000157) THICK  
 BRIGHT TIN OVER 1.27 µm (.000050) MIN. THICK NICKEL.
- △ JACK CAVITY CONFORMS TO FCC RULES AND REGULATIONS  
 PART 68, SUBPART F.
- △ THIS DIMENSION REPRESENTS THE TOTAL HEIGHT OF THE  
 CONNECTOR FROM THE TOP OF THE PC BOARD.
- 4. PACKAGED 66 ASSEMBLIES PER PVC TRAY, XX PER BOX.
- 5. DIELECTRIC WITHSTANDING VOLTAGE BETWEEN SHIELD  
 AND CONTACT IS 1500 VAC (RMS) PER IEEE 802.3.
- △ SEE TYCO PN 1116062-1 FOR IEEE 1386 MEZZANINE PCI  
 CARD APPLICATIONS. PN 1658869-1 IS NOT COMPATIBLE  
 WITH IEEE 1386 BEZEL.
- △ MANUFACTURING DATE CODE:  
 ORIENTED AND LOCATED APPROXIMATELY AS SHOWN.  
 LASER PRINTING. TEXT HEIGHT APPROX. 2MM.  
 FIRST 2 DIGITS = LAST 2 DIGITS OF YEAR  
 NEXT 2 DIGITS = MANUFACTURING WORK WEEK  
 LAST DIGIT = DAY OF WEEK WITH SUNDAY = 1
- △ MATERIAL: HOUSING - HIGH TEMPERATURE NYLON, BLACK, UL 94V-0  
 TERMINALS - 0.25[.01] THICK PHOS BRONZE PLATED WITH  
 3.81µm[.000150] MINIMUM THICK MATTE TIN IN  
 SOLDER AREA, 1.27µm[.000050] MINIMUM GOLD IN  
 LOCALIZED PLATE AREA. ENTIRE TERMINAL PLATED WITH  
 1.27µm[.000050] MINIMUM THICK NICKEL.  
 SHIELD - 0.1[.0039] MIN THICK COPPER ZINC ALLOY,  
 PLATED WITH 1.27 µm (.000050)MIN. THICK NICKEL AND  
 2.03 µm (.000080) MIN. THICK HOT TIN DIP ON PCB GROUND TABS.
- △ MATERIAL: HOUSING - LCP, NATURE, UL94V-0.  
 OTHER MATERIAL SAME AS NOTE 8.
- △ >LCP-GF30< MARK ONLY FOR 1888542-4.
- △ THE PN 1888542-4 SHALL MEET LOW BR/CL/F AS DEFINED IN TEC-138-702.



SCALE 6:1  
 P/N: 1888542-3, -4  
 FEATURE SAME AS 1888542-2  
 EXCEPT AS SHOWN WITHOUT  
 BACK CLASP FEATURE

SUGGESTED PANEL CUTOUT  
 SCALE 4:1

THIS DRAWING IS A CONTROLLED DOCUMENT.		OWN: BRIAN KUHNLYZ & MAYER	DATE: 07JUNE2006	REV: 1
DIMENSIONS: mm [INCHES]		CHK: J. WESTMAN	DATE: 07JUNE2006	REV: 1
TOLERANCES UNLESS OTHERWISE SPECIFIED:		APVD: S. FLICKINGER	DATE: 07JUNE2006	REV: 1
0 PLC	±	PRODUCT SPEC		
1 PLC	±	APPLICATION SPEC		
2 PLC	±	108-1163		
3 PLC	±	114-2048		
4 PLC	±	114-2048		
ANGLES	±	WEIGHT: 3.49 grams		
MATERIAL: SEE TABLE	FINISH: SEE TABLE	CUSTOMER DRAWING		
		NAME: MODULAR JACK ASSEMBLY, 8 POSITION, SHIELDED, 10mm, WAVE PANEL GROUND TABS		RESTRICTED TO
		SIZE: A1		SCALE: 3:1
		CAGE CODE: 1888542		SHEET 1 OF 1
		REV: D		

## X-ON Electronics

Largest Supplier of Electrical and Electronic Components

*Click to view similar products for [Modular Connectors / Ethernet Connectors](#) category:*

*Click to view products by [TE Connectivity](#) manufacturer:*

Other Similar products are found below :

[8949-H88/06BLKA/SN](#) [74441-0010/BKN](#) [MP1010RX-1000](#) [MP44RX-1000](#) [PHJ-4P4C-1-V-4](#) [PHP-6P6C-5](#) [GAX-3-66](#) [GAX-8-62](#) [GDCX-PA-66-50](#) [GDCX-PN-64](#) [GDCX-PN-66](#) [GDCX-PN-66-50](#) [GDLX-A-66](#) [GDLX-N-66](#) [GDLX-S-66](#) [GDLX-S-88K](#) [GDTX-S-88-50](#) [GDX-PA-1010](#) [GLX-N-1010M-BLK](#) [GLX-S-88M-BLK](#) [GMX-N-1010](#) [GMX-S-1010](#) [GMX-S-66](#) [GMX-SMT4-N-88](#) [GPX-2-64](#) [GSGX-N-2-88](#) [GSGX-N-4-88](#) [GSX-NS2-88-3.05](#) [GSX-NS2-88-3.05-50](#) [GSX-NS-88-3.05-50](#) [PT-108A-8C-UL](#) [PT-J951-8C](#) [PTS-J531-8CS-50UL](#) [1-1775629-2](#) [A-2014-0-4](#) [GWLX-S-88-GR](#) [GWLX-S9-88-YG](#) [DC-1021-8-WH-6](#) [1300530003](#) [1324640-4](#) [RJ11FTVC2G](#) [RJ11FTVC2N](#) [RJFTVX2SA1G](#) [132764-001](#) [1413235](#) [MP88X-1000](#) [MPS88RX-5000](#) [E5288-S000K3-L](#) [E5908-15A242-L](#) [155302-001](#)