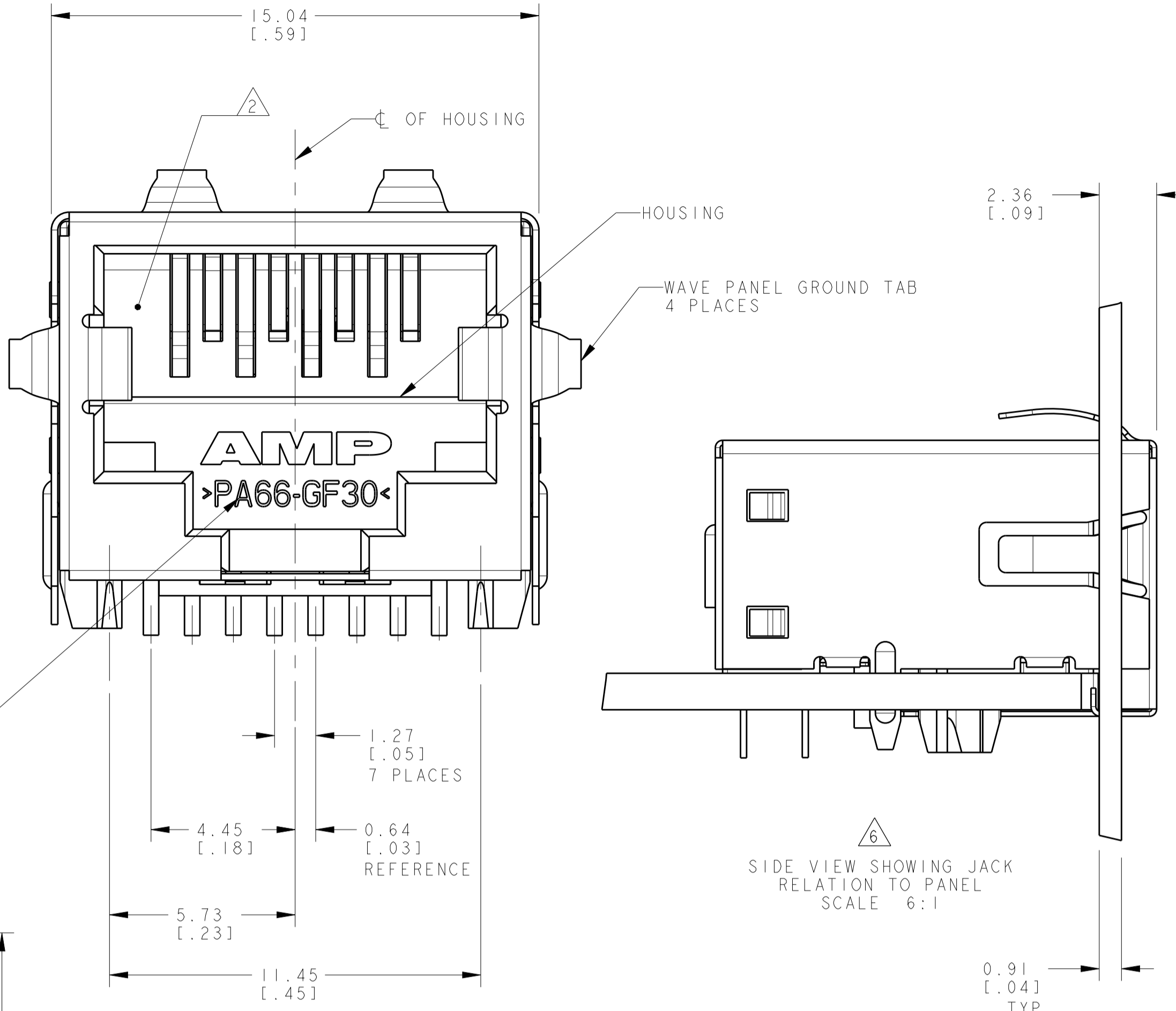
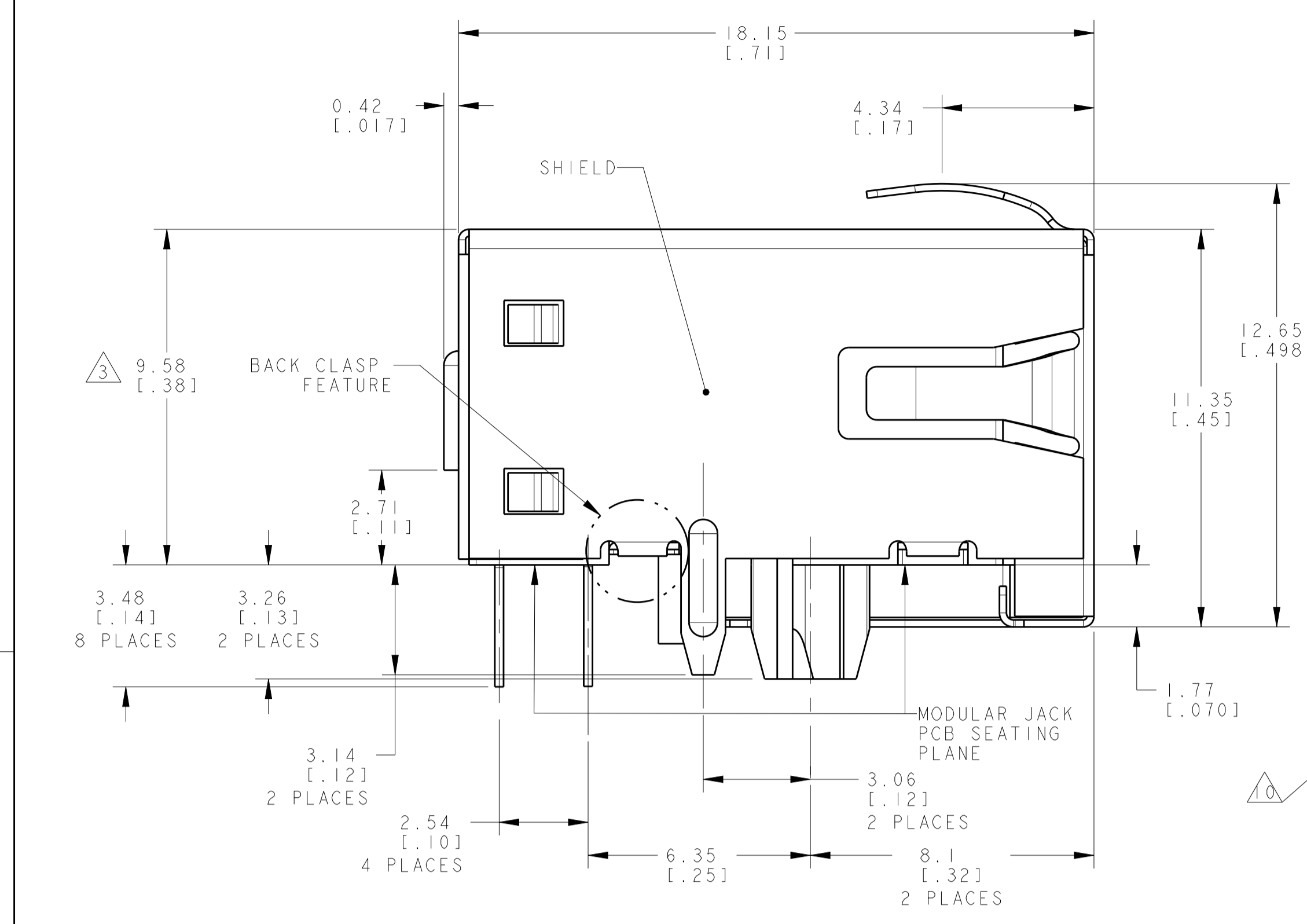
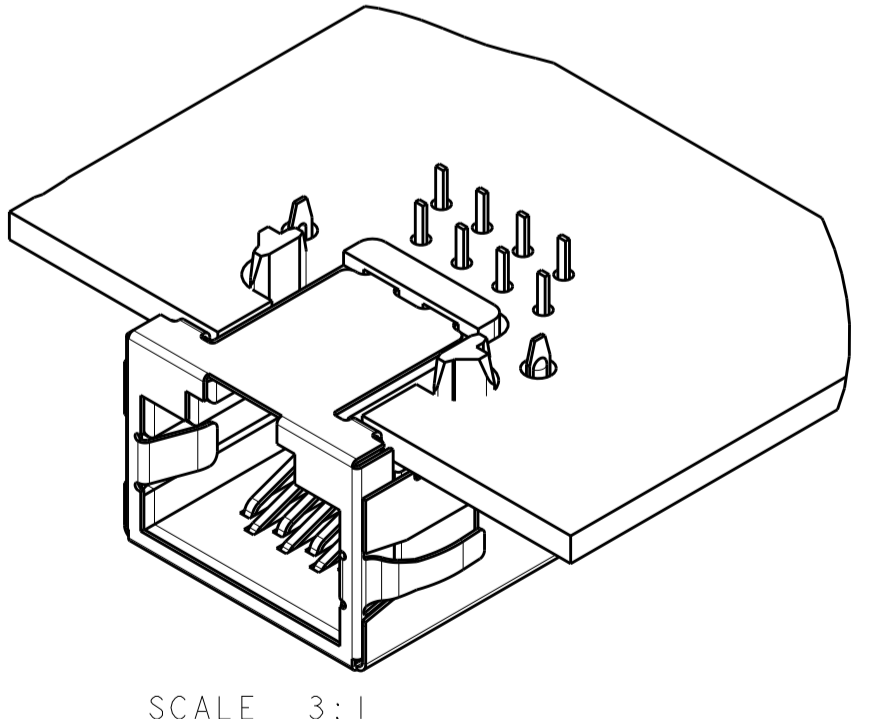
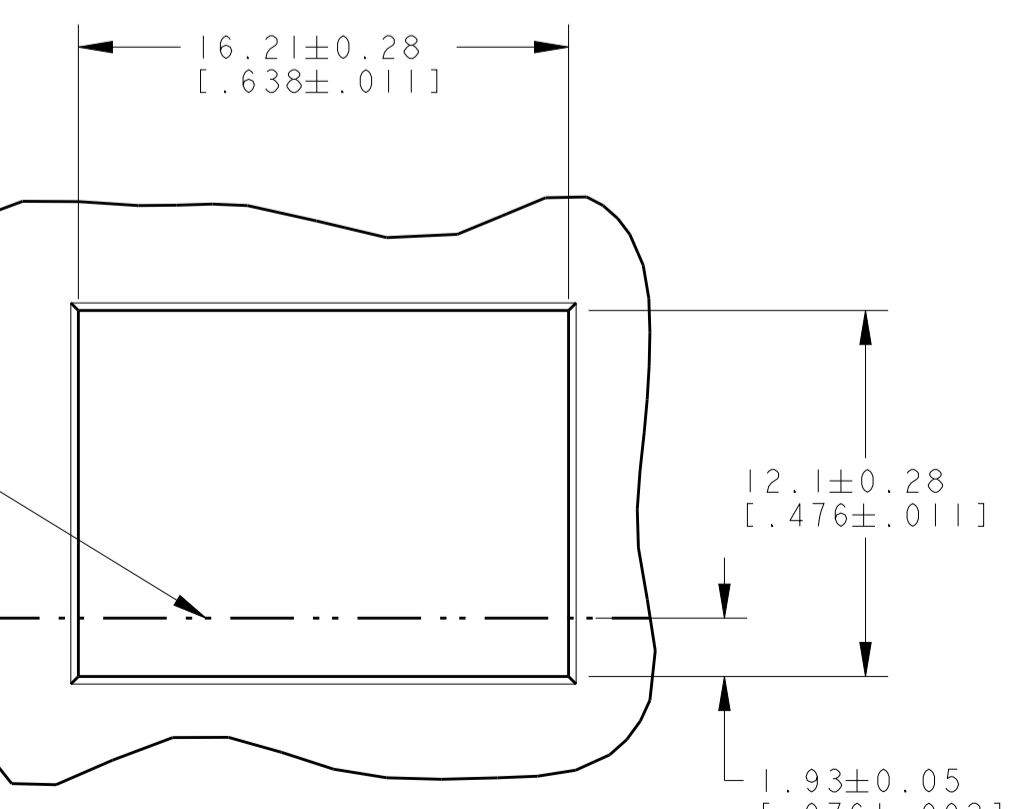
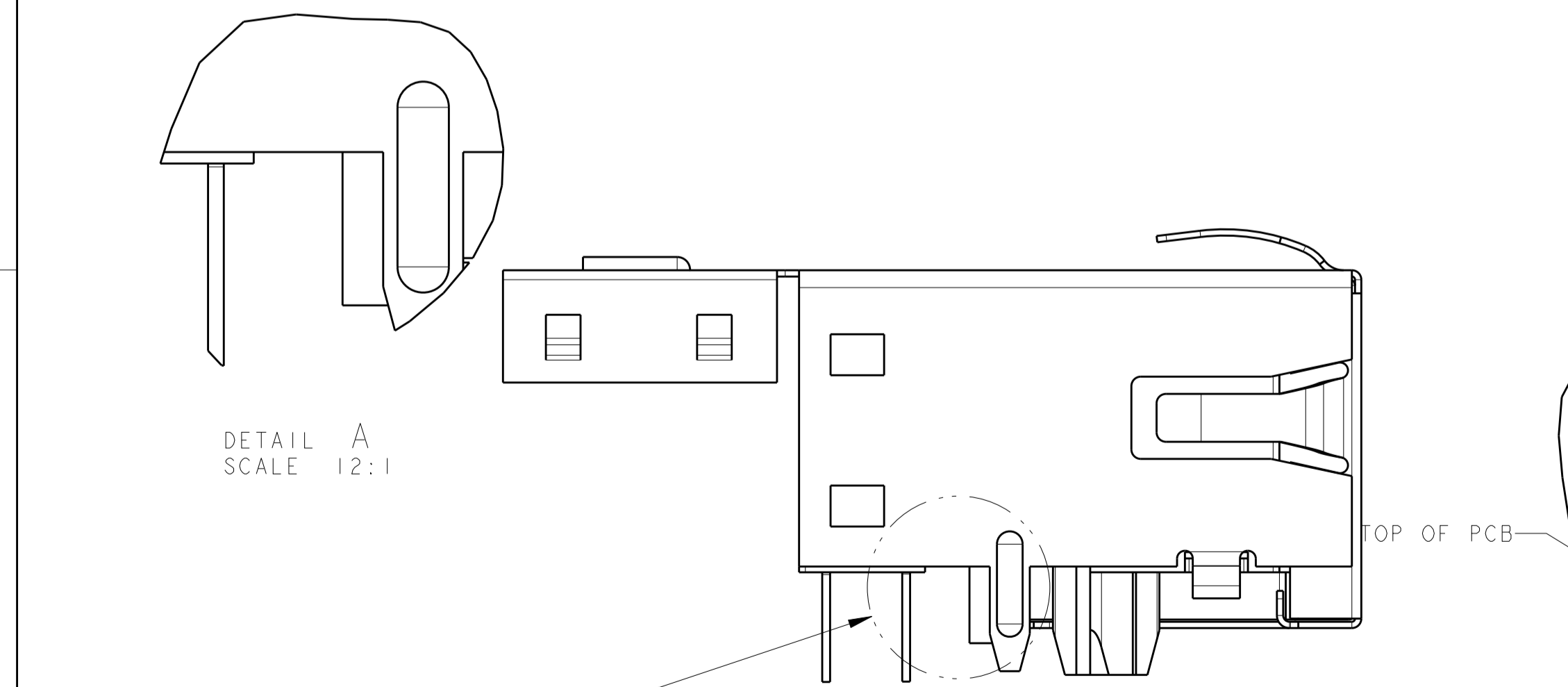
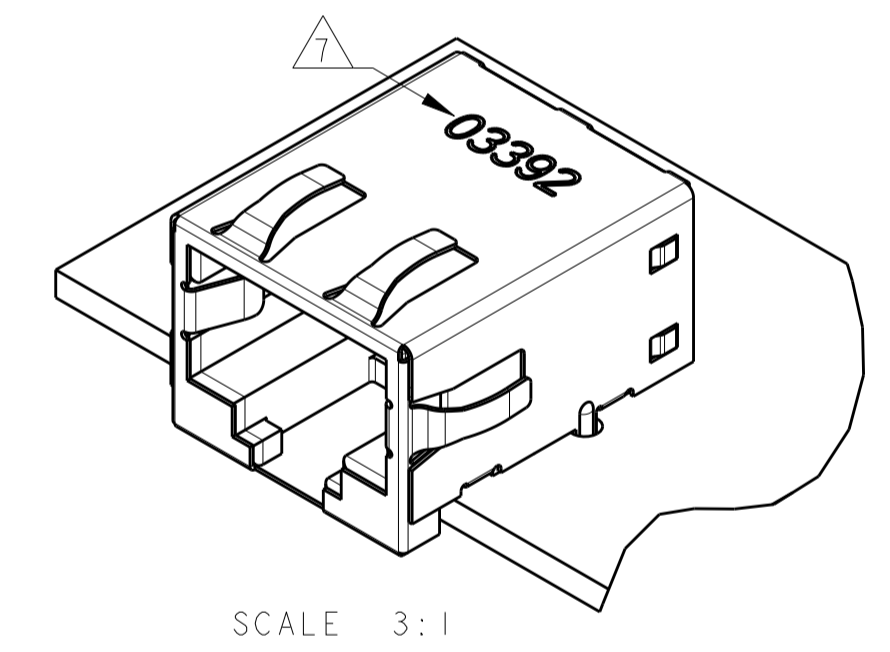
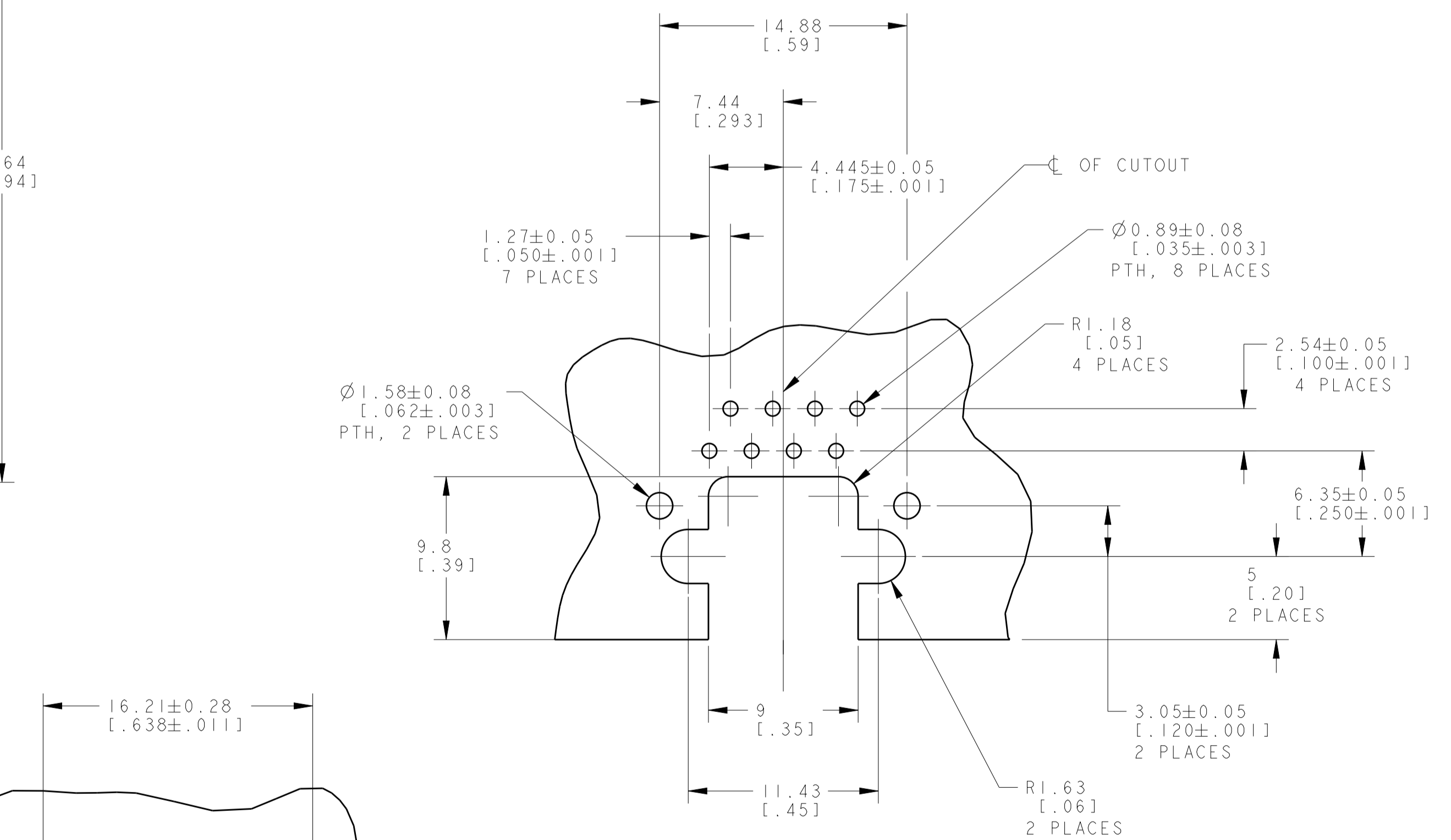
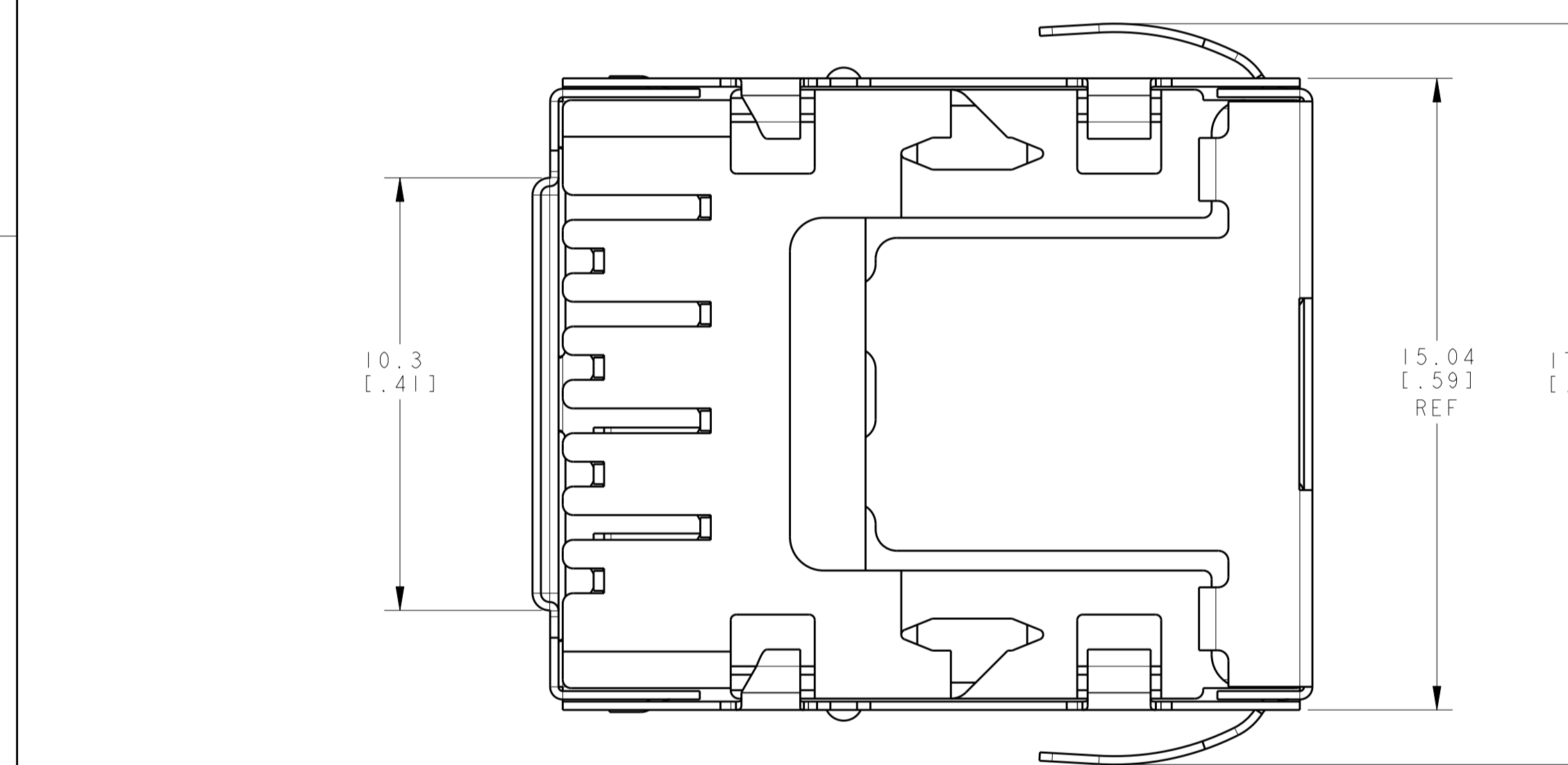


REVISIONS				
P.	LTN.	DESCRIPTION	DATE	APP'D.
C		REVISE PER ECO-14-015233	27APR2015	LL SH
D		REVISE PER ECO-17-005794	23FEB2016	LL SH



- △ MATERIAL: HOUSING - HIGH TEMPERATURE NYLON, BLACK, UL 94V-0
 TERMINALS - 0.25[.01] THICK PHOS BRONZE PLATED WITH
 3.81µm[.000150] MINIMUM THICK MATTE TIN IN
 SOLDER AREA, 1.27µm[.000050] MINIMUM GOLD IN
 LOCALIZED PLATE AREA. ENTIRE TERMINAL PLATED WITH
 1.27µm[.000050] MINIMUM THICK NICKEL.
 SHIELD - 0.1[.0039] MIN THICK COPPER ZINC ALLOY,
 PREPLATED WITH 2.0-4.0 µm (.000079-.000157) THICK
 BRIGHT TIN OVER 1.27 µm (.000050) MIN. THICK NICKEL.
- △ JACK CAVITY CONFORMS TO FCC RULES AND REGULATIONS
 PART 68, SUBPART F.
- △ THIS DIMENSION REPRESENTS THE TOTAL HEIGHT OF THE
 CONNECTOR FROM THE TOP OF THE PC BOARD.
- 4. PACKAGED 66 ASSEMBLIES PER PVC TRAY, XX PER BOX.
- 5. DIELECTRIC WITHSTANDING VOLTAGE BETWEEN SHIELD
 AND CONTACT IS 1500 VAC (RMS) PER IEEE 802.3.
- △ SEE TYCO PN 1116062-1 FOR IEEE 1386 MEZZANINE PCI
 CARD APPLICATIONS. PN 1658869-1 IS NOT COMPATIBLE
 WITH IEEE 1386 BEZEL.
- △ MANUFACTURING DATE CODE:
 ORIENTED AND LOCATED APPROXIMATELY AS SHOWN.
 LASER PRINTING. TEXT HEIGHT APPROX. 2MM.
 FIRST 2 DIGITS = LAST 2 DIGITS OF YEAR
 NEXT 2 DIGITS = MANUFACTURING WORK WEEK
 LAST DIGIT = DAY OF WEEK WITH SUNDAY = 1
- △ MATERIAL: HOUSING - HIGH TEMPERATURE NYLON, BLACK, UL 94V-0
 TERMINALS - 0.25[.01] THICK PHOS BRONZE PLATED WITH
 3.81µm[.000150] MINIMUM THICK MATTE TIN IN
 SOLDER AREA, 1.27µm[.000050] MINIMUM GOLD IN
 LOCALIZED PLATE AREA. ENTIRE TERMINAL PLATED WITH
 1.27µm[.000050] MINIMUM THICK NICKEL.
 SHIELD - 0.1[.0039] MIN THICK COPPER ZINC ALLOY,
 PLATED WITH 1.27 µm (.000050) MIN. THICK NICKEL AND
 2.03 µm (.000080) MIN. THICK HOT TIN DIP ON PCB GROUND TABS.
- △ MATERIAL: HOUSING - LCP, NATURE, UL94V-0.
 OTHER MATERIAL SAME AS NOTE 8.
- △ >LCP-GF30< MARK ONLY FOR 1888542-4.
- △ THE PN 1888542-4 SHALL MEET LOW BR/CL/F AS DEFINED IN TEC-138-702.



SCALE 6:1
 P/N: 1888542-3, -4
 FEATURE SAME AS 1888542-2
 EXCEPT AS SHOWN WITHOUT
 BACK CLASP FEATURE

SUGGESTED PANEL CUTOUT
 SCALE 4:1

THIS DRAWING IS A CONTROLLED DOCUMENT.		OWN: 01JUNE2006		DRAWN: 01JUNE2006	
DIMENSIONS: mm [INCHES]		TOLERANCES UNLESS OTHERWISE SPECIFIED:		APVD: 01JUNE2006	
0 PLC	±	0 PLC	±	NAME: MODULAR JACK ASSEMBLY, 8 POSITION, SHIELDED, 10mm, WAVE PANEL GROUND TABS	
1 PLC	±	1 PLC	±	PRODUCT SPEC: 108-1163	
2 PLC	±	2 PLC	±	APPLICATION SPEC: 114-2048	
3 PLC	±	3 PLC	±	SIZE: A1	
4 PLC	±	4 PLC	±	WEIGHT: 3.49 grams	
5 PLC	±	5 PLC	±	CAGE CODE: 1888542	
6 PLC	±	6 PLC	±	CUSTOMER DRAWING	
7 PLC	±	7 PLC	±	SCALE: 3:1	
8 PLC	±	8 PLC	±	SHEET: 1 OF 1	
9 PLC	±	9 PLC	±	REV: D	

X-ON Electronics

Largest Supplier of Electrical and Electronic Components

Click to view similar products for [Modular Connectors / Ethernet Connectors](#) category:

Click to view products by [TE Connectivity](#) manufacturer:

Other Similar products are found below :

[RJE231881317T](#) [MP1010RX-1000](#) [MP44RX-1000](#) [GAX-3-66](#) [GAX-8-62](#) [93606-0253](#) [GD-A-44](#) [GDCX-PA-66-50](#) [GDCX-PN-64](#) [GDCX-PN-66](#) [GDCX-PN-66-50](#) [GDLX-A-66](#) [GDLX-A-88](#) [GDLX-N-66](#) [GDLX-S-66](#) [GDLX-S-88K](#) [GDTX-S-88-50](#) [GDX-PA-1010](#) [GLX-N-1010M-BLK](#) [GLX-S-88M-BLK](#) [GMX-N-1010](#) [GMX-S-1010](#) [GMX-S-66](#) [GMX-SMT2-N-1010](#) [GMX-SMT2-N-64-50](#) [GMX-SMT2-N-88](#) [GMX-SMT2-S6-88](#) [GMX-SMT4-N-88](#) [GPX-2-64](#) [GRT1-BT1-5](#) [GSGX-N-2-88](#) [GSX-NS2-88-3.05](#) [GSX-NS2-88-3.05-50](#) [GSX-NS-88-3.05-30](#) [GSX-NS-88-3.05-50](#) [GSX-NS-88-3.68](#) [1-1775629-2](#) [GWLX-S-88-GR](#) [GWLX-S9-88-YG](#) [1300500326](#) [1300500227](#) [1300530003](#) [1300570002](#) [1324640-4](#) [RJ11FTVC2G](#) [RJ11FTVC2N](#) [RJFTVX2SA1G](#) [132764-001](#) [1400000](#) [1413235](#)