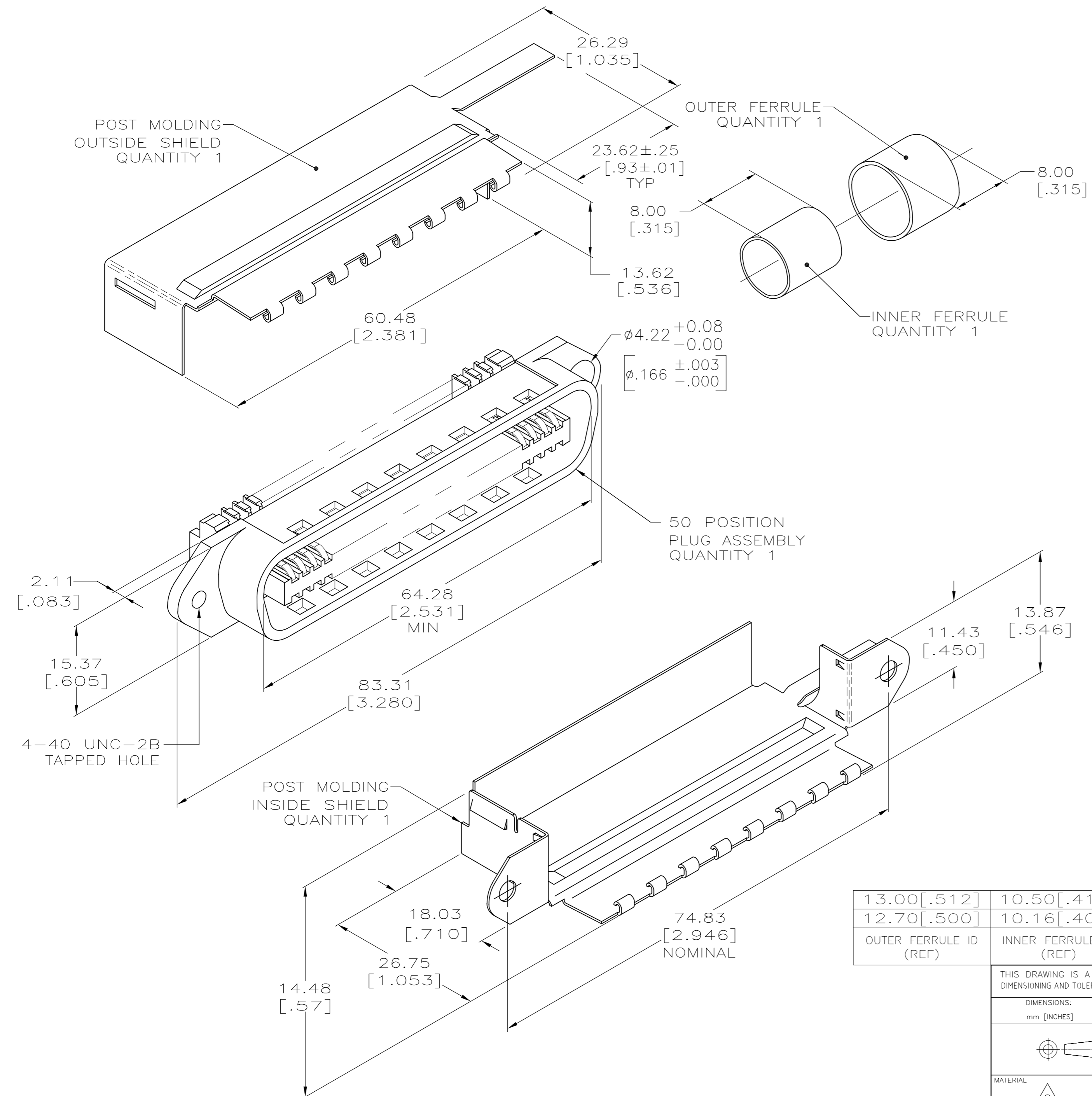


THIS DRAWING IS UNPUBLISHED. RELEASED FOR PUBLICATION
 © COPYRIGHT - By - ALL RIGHTS RESERVED.

LOC		DIST		REVISIONS			
P	LTR	DESCRIPTION		DATE	DWN	APVD	
GP	00	D1	REVISED PER ECO-12-017315	03OCT2012	CJV	PAR	



- THIS KIT SHIPPED NOT ASSEMBLED.
- MATERIAL/FINISH**
 PLUG HOUSING: POLYPHENYLENE OXIDE, BLACK.
 TERMINALS: HIGH STRENGTH COPPER ALLOY PLATED WITH EITHER 0.76µm [.000030] MINIMUM GOLD OR GOLD FLASH OVER PALLADIUM NICKEL PLATE, 0.76µm [.000030] MIN TOTAL ON MATING SURFACE. 1.27µm [.000050] MINIMUM NICKEL UNDERPLATE OVER ENTIRE TERMINAL.
 SHIELDS: BRIGHT NICKEL PLATED CARBON STEEL.
 FERRULES: BRASS.
- WIRE SIZE: 24 OR 26 AWG SOLID OR 24 AWG 7 STRANDS COPPER CONDUCTORS. MAXIMUM INSULATION DIAMETER OF 1.14[.045] IS ACCEPTABLE FOR MOST APPLICATIONS.
- CENTER-TO-CENTER SPACING OF TERMINALS IS 2.16 [.085] NOMINAL.
- BULK PACKAGED 500 KITS PER CONTAINER.
- DIMENSIONS ARE MAXIMUM UNLESS OTHERWISE SPECIFIED.

13.00 [.512]	10.50 [.413]	BLACK	B	3	5	1888591-2
12.70 [.500]	10.16 [.400]	BLACK	B	3	5	1888591-1
OUTER FERRULE ID (REF)	INNER FERRULE ID (REF)	HOUSING COLOR	SLOT	WIRE SIZE	PACKAGED	PART NUMBER

THIS DRAWING IS A CONTROLLED DOCUMENT. DIMENSIONING AND TOLERANCING PER ASME Y14.5M-2009

DWN	B. MCMASTER	09AUG06
CHK	W. MILLHIMES	09AUG06
APVD	W. MILLHIMES	09AUG06
PRODUCT SPEC		
APPLICATION SPEC		
WEIGHT	-	
CUSTOMER DRAWING		

TE TE Connectivity

PLUG KIT, 50 POSITION, POST MOLDING, SHIELDED, 90 DEGREE, SCREW LOCK, CHAMP

SIZE	CAGE CODE	DRAWING NO	RESTRICTED TO
A2	00779	C=1888591	-
SCALE	SHEET	REV	
2:1	1 of 1	D1	

X-ON Electronics

Largest Supplier of Electrical and Electronic Components

Click to view similar products for [Headers & Wire Housings](#) category:

Click to view products by [TE Connectivity](#) manufacturer:

Other Similar products are found below :

[95000-104TRLF](#) [10135584-644402LF](#) [DF62W-EP2022PCA](#) [95000-106TRLF](#) [DF62W-2022SCA](#) [DF62W-EP2022PC](#) [2203348](#) [DF62W-2022SC](#) [1084018](#) [1029039](#) [1084017](#) [802-10-012-10-002000](#) [1112640](#) [1112639](#) [891-007-9SS-BST1T](#) [000-34000](#) [0008550134](#) [0009482033](#) [0009507031](#) [57102-F02-18ULF](#) [57102-S06-03LF](#) [57202-S52-04LF](#) [PCN6-15S-2.5E](#) [0039019024](#) [58102-G61-06LF](#) [582553-1](#) [0009485154](#) [0009508121](#) [009176003701906](#) [0022285053](#) [0050291907](#) [018731A](#) [LY20-4P-DT1-P1E-BR](#) [02.125.8002.8](#) [60101931](#) [60598-1 \(Cut Strip\)](#) [M1625-3R/100](#) [61062-3](#) [61082-181009](#) [CSU011177004](#) [636-1427](#) [638009-1](#) [641938-9](#) [641991-4](#) [644168-1](#) [644827-2](#) [647662-1](#) [65039-019ELF](#) [65692-001LF](#) [65781-018](#)