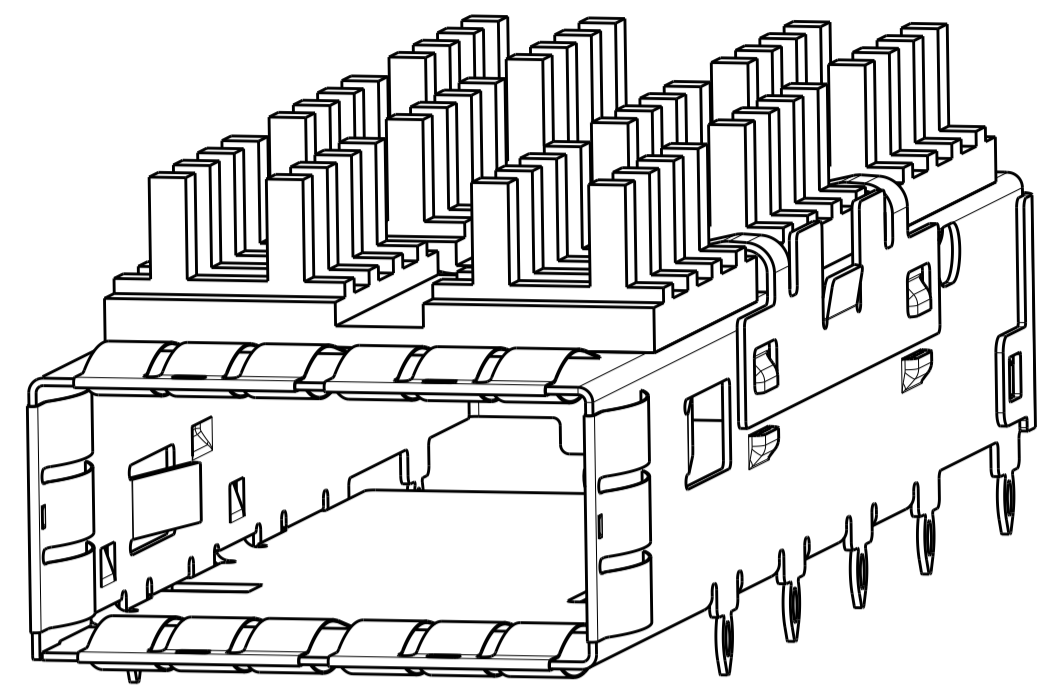
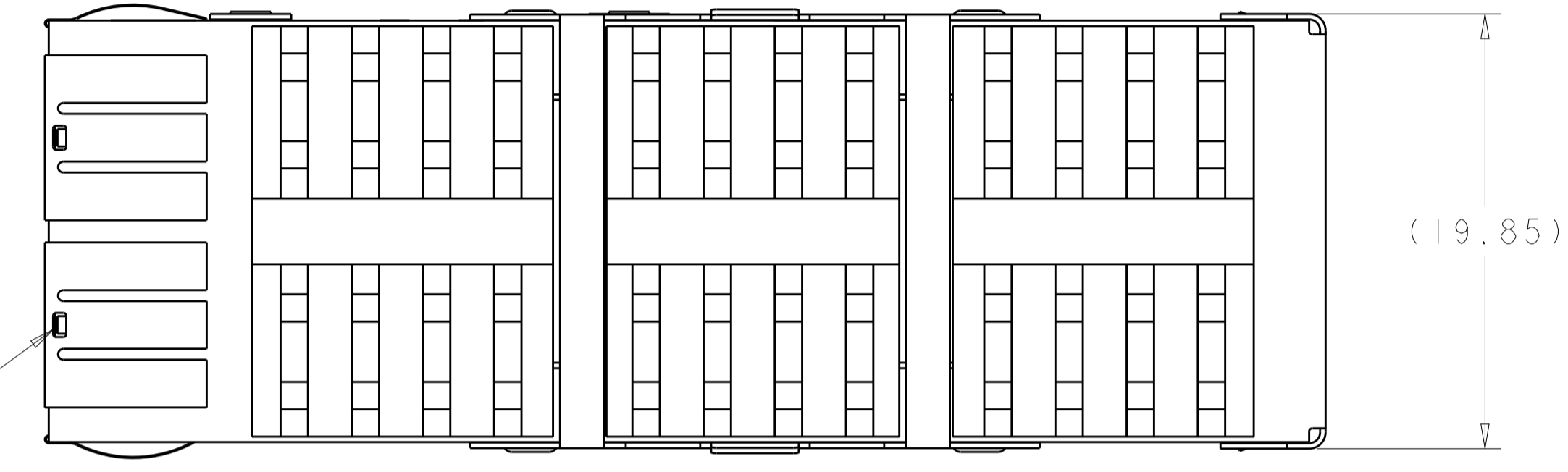


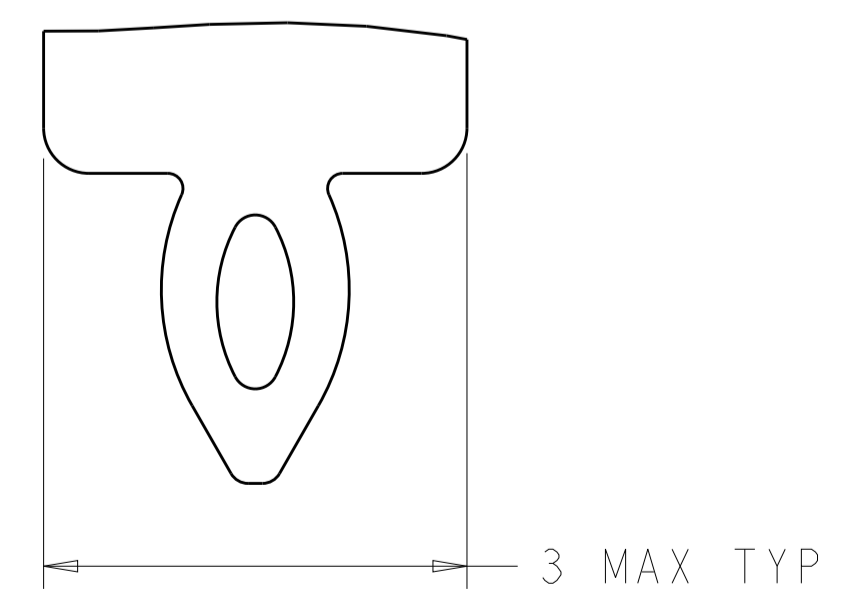
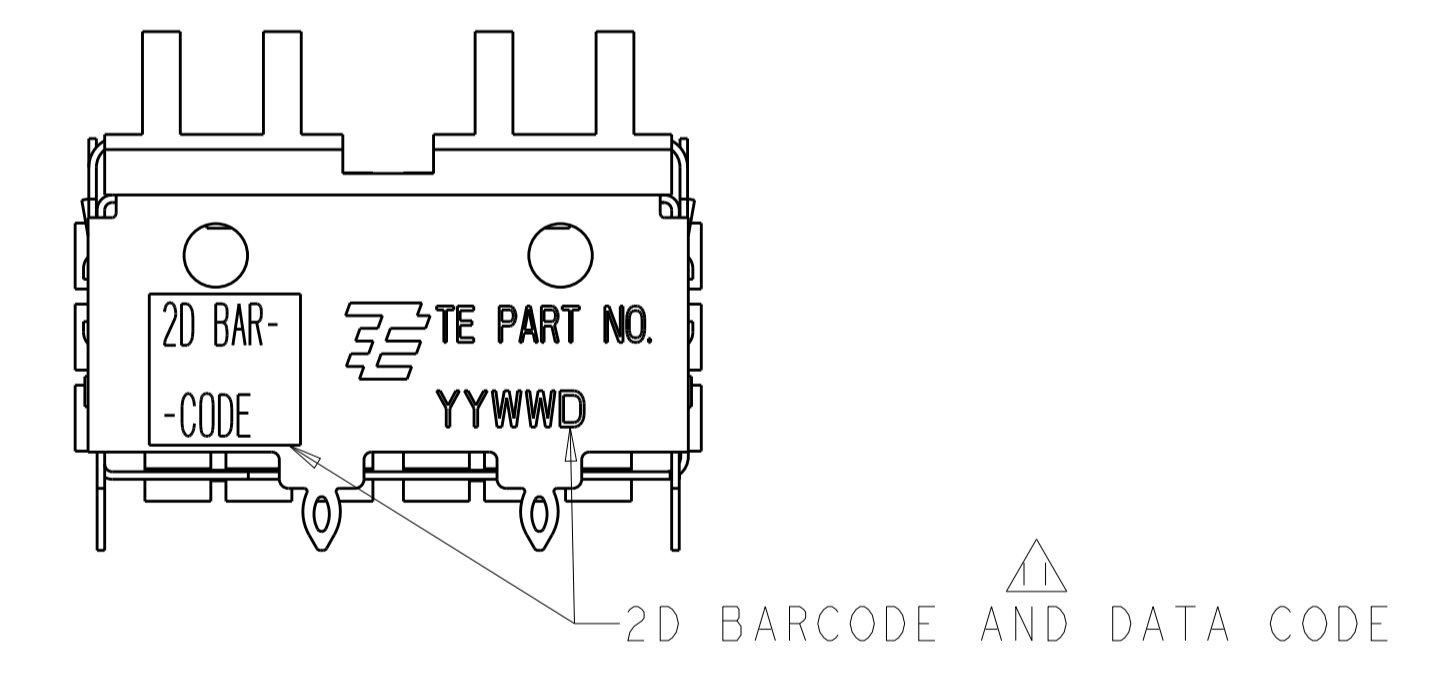
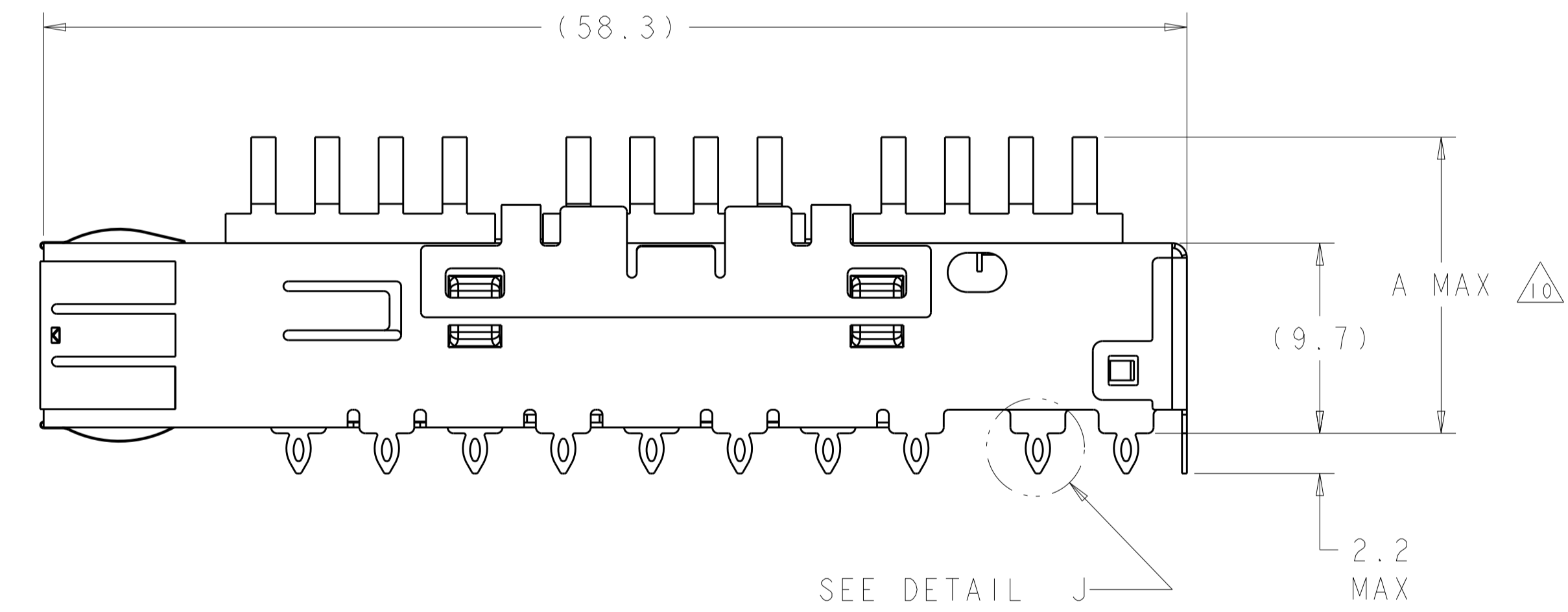
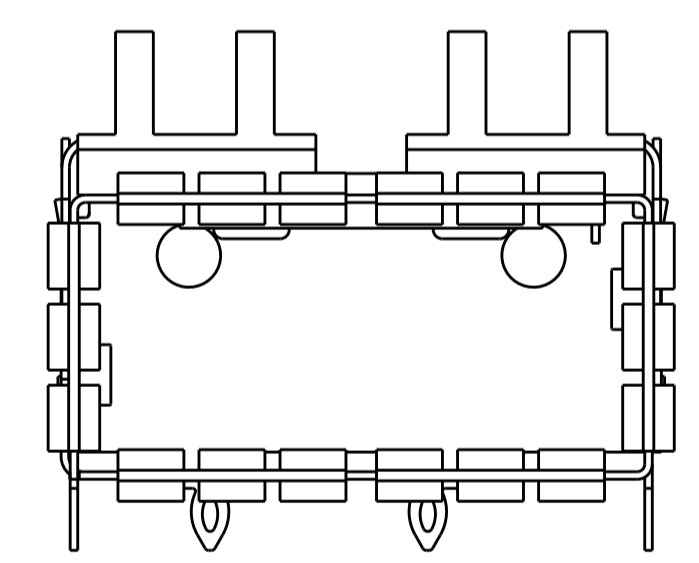
REVISIONS				
P.	LTN	DESCRIPTION	DATE	APVD
B1		REVISE PER ECO-14-006734	16MAY2014	RG MC
C		REVISE PER ECO-14-009898	16JUNE2014	RG MC
D		REVISE PER ECO-14-017735	24MAR2015	RG MC
D1		REVISED PER ECO-15-012094	20AUG2015	RG SH



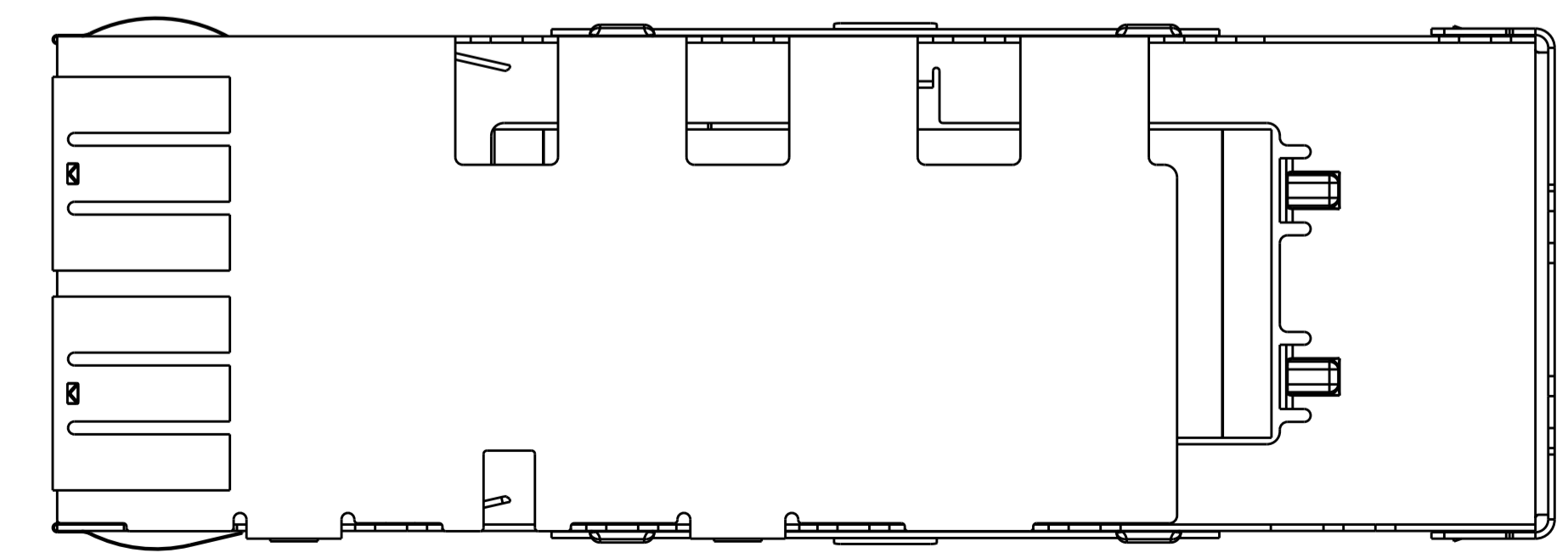
Sn42Bi58 SOLDER  
6 PLACES



- 1. CAGE MATERIAL: NICKEL SILVER, 0.25 THICK  
 HEAT SINK MATERIAL: ALUMINUM  
 HEAT SINK CLIP MATERIAL: STAINLESS STEEL  
 EMI SPRINGS MATERIAL: COPPER ALLOY
- 2. MINIMUM PITCH DIMENSION.
- 3. MATES WITH QSFP MSA COMPATIBLE TRANSCEIVER.
- 4. REFERENCE APPLICATION SPEC 114-13217 FOR RECOMMENDED DRILL HOLE DIAMETER AND PLATING THICKNESS.
- 5. DATUMS AND BASIC DIMENSIONS ESTABLISHED BY CUSTOMER.
- 6. MINIMUM PC BOARD THICKNESS:  
 SINGLE SIDED = 1.45mm (shown, pg. 4)  
 DOUBLE SIDED = 2.2mm
- 7. HEATSINK AND CLIP SHIPPED ASSEMBLED TO CAGE ASSEMBLY. CAGE ASSEMBLY MAY BE PRESSED INTO THE PCB AS SHIPPED.
- 8. DATUM -A- IS TOP SURFACE OF HOST BOARD.
- 9. SURFACE TRACES PERMITTED WITHIN THIS AREA EXCEPT WHERE CAGE STANDOFFS, SHOWN IN DETAIL J, CONTACT PC BOARD.
- 10. DIMENSION APPLIES WITH MODULE INSTALLED IN THE CAGE.
- 11. 2D BARCODE AND DATE CODE (YYWWD) MARKED ON BACK OF CAGE.
- 12. SPRING FINISH: 0.8µm MIN TIN OVER 0.8µm MIN NICKEL. NON-PLATED EDGES PERMISSIBLE.  
 HEAT SINK FINISH: 0.076 µm MIN NICKEL OR BLACK ANODIZED.
- 13. PRODUCT HAS NOT COMPLETED QUALIFICATION TESTING.



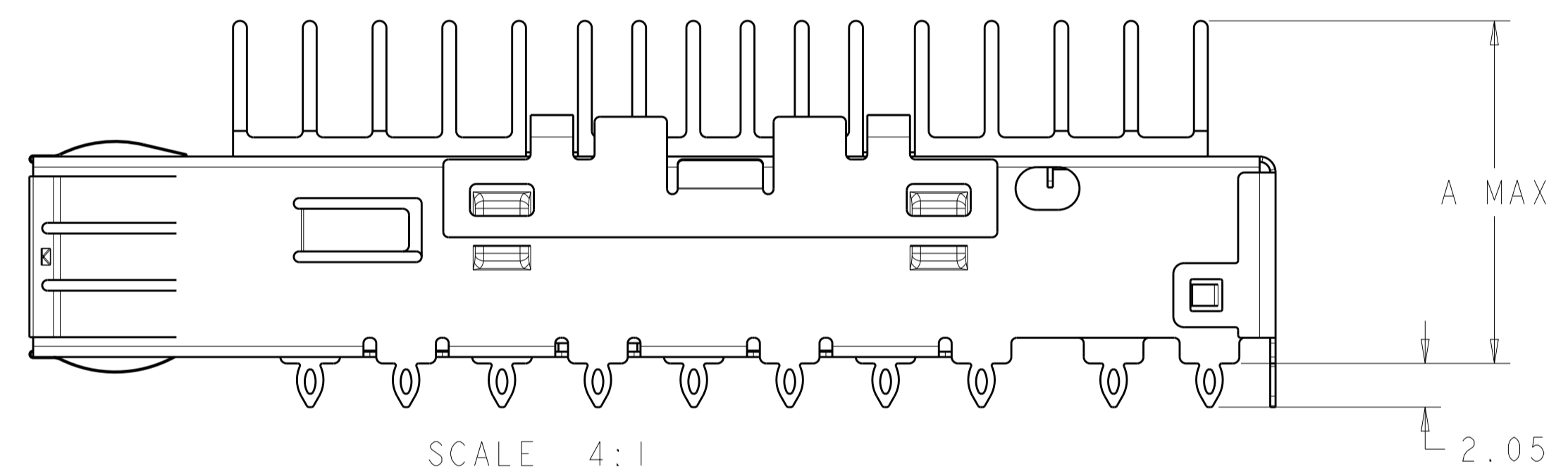
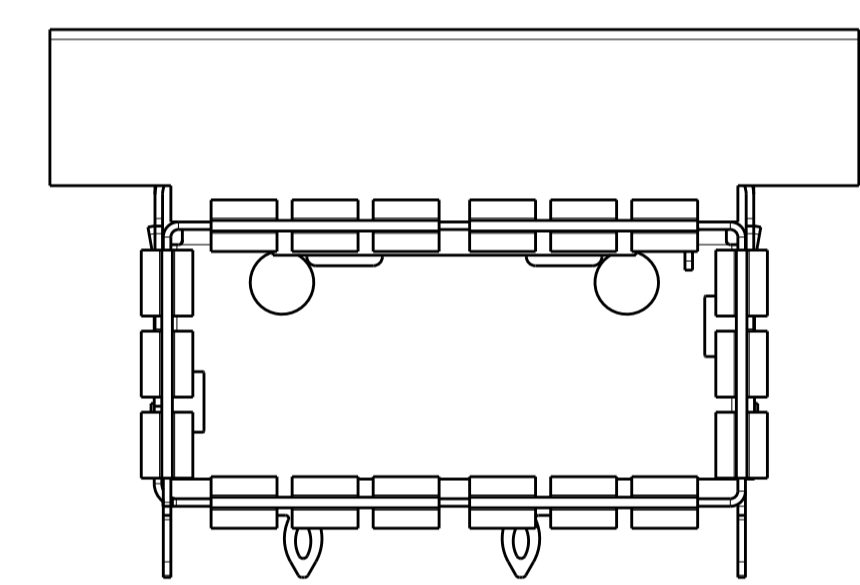
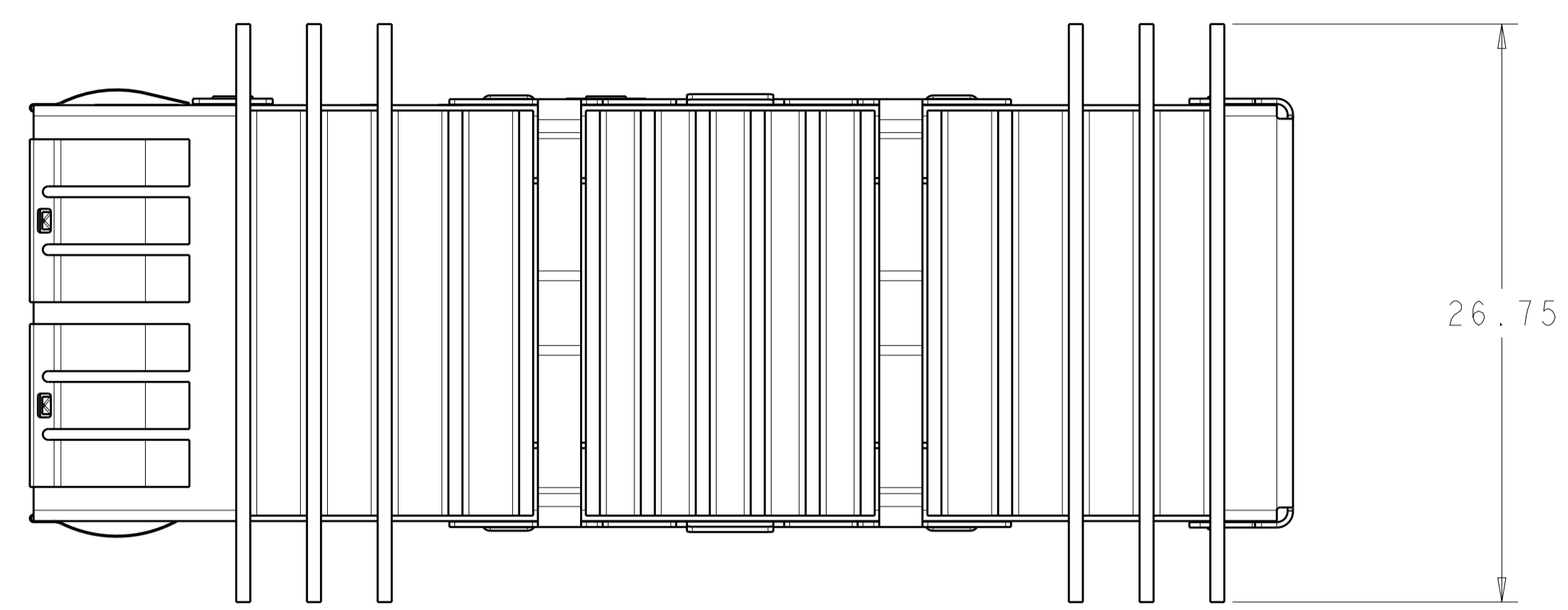
DETAIL J  
SCALE 20:1



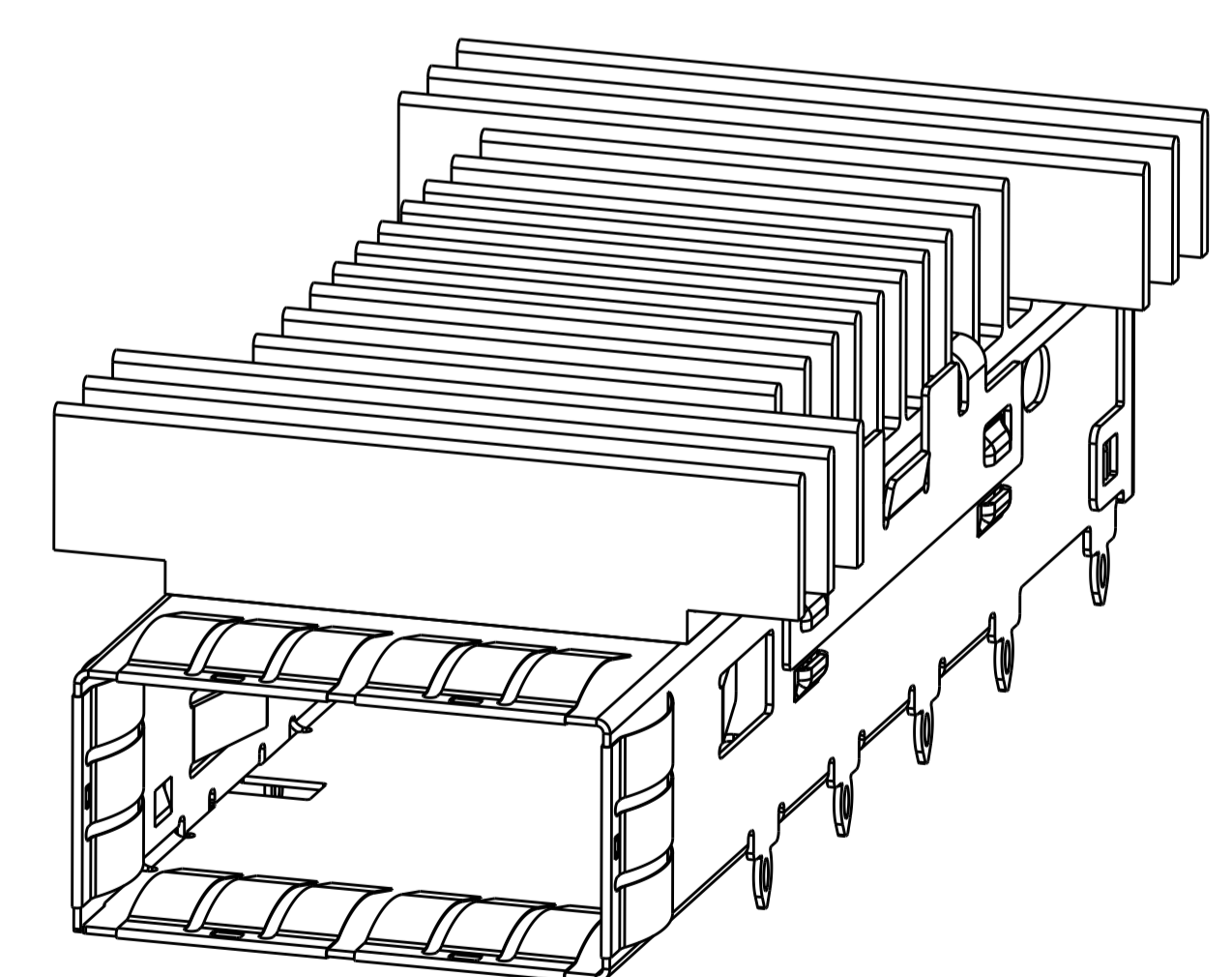
23.0	NETWORKING HEAT SINK	1888631-3
16.0	SAN HEAT SINK (SHOWN)	1888631-2
13.7	PCI HEAT SINK	1888631-1
A	DESCRIPTION	PART NUMBER

THIS DRAWING IS A CONTROLLED DOCUMENT.		OWN: B. MCMASTER OTSEP06	
DIMENSIONS: mm		CHK: E. J. BRIGHT OTSEP06	
TOLERANCES UNLESS OTHERWISE SPECIFIED:		APVD: E. J. BRIGHT OTSEP06	NAME: CAGE ASSEMBLY, THRU BEZEL, QSFP, WITH HEAT SINK PRODUCT SPEC: 108-2286 APPLICATION SPEC: 114-13217
0 PLC ±0.25		SIZE: CAGE CODE DRAWING NO: A100779C=1888631	
1 PLC ±0.13		RESTRICTED TO: -	
2 PLC ±0.10		CUSTOMER DRAWING	
3 PLC ±0.08		SCALE: 4:1	
4 PLC ±0.05		SHEET 1 OF 6	
ANGLES ±0.5		REV: D1	
FINISH: 12			

REVISIONS				
P.	LTN.	DESCRIPTION	DATE	APVD.
-	-	SEE SHEET 1	-	-



SCALE 4:1

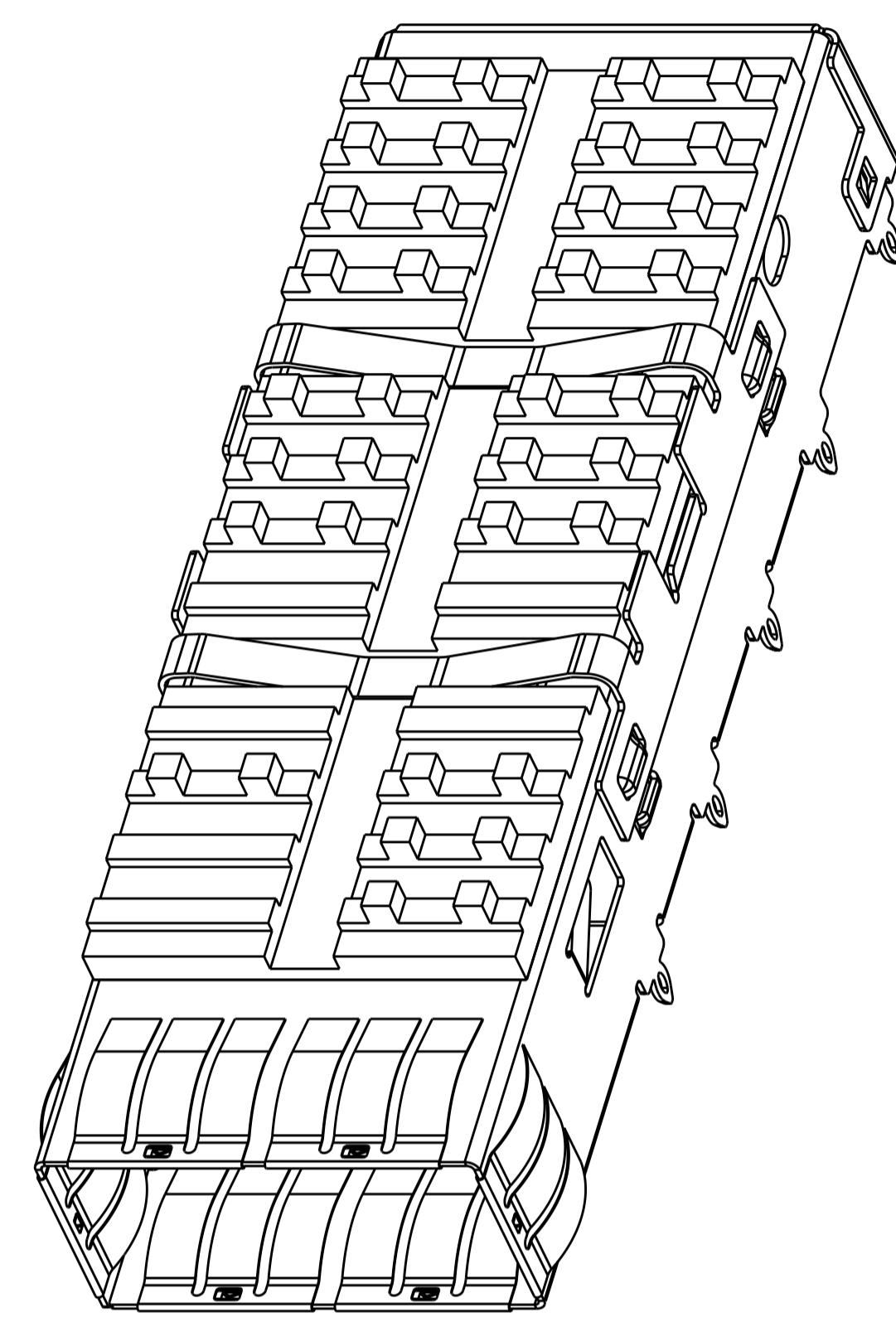


1888631-4 AS SHOWN  
 SCALE 4:1

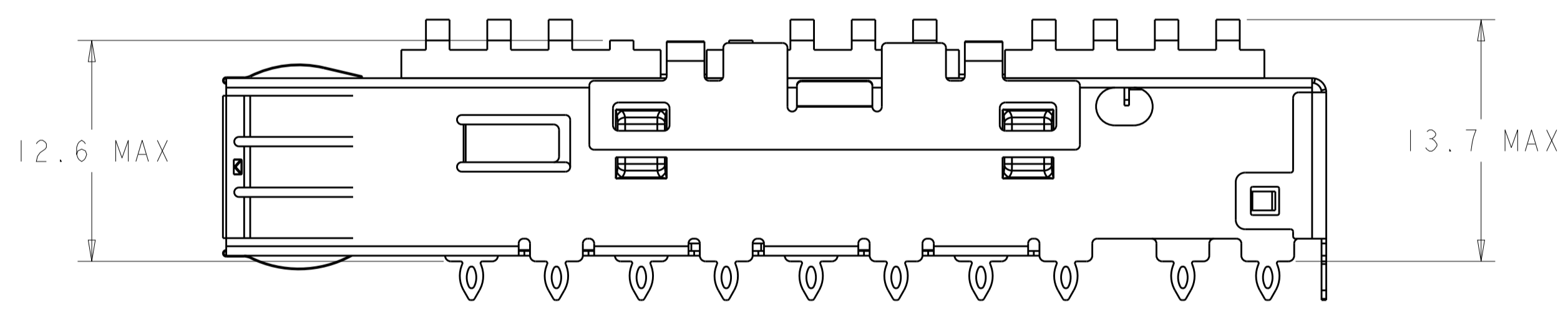
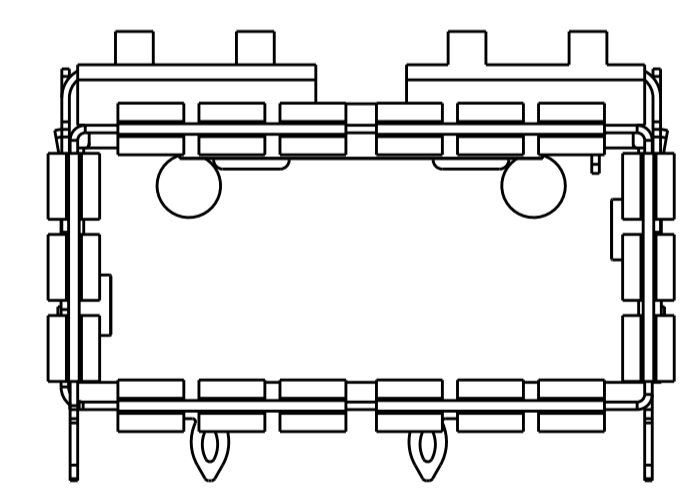
16.96	CUSTOMIZED HEAT SINK	1888631-4
A	DESCRIPTION	PART NUMBER

THIS DRAWING IS A CONTROLLED DOCUMENT.		DWN B. MCMASTER DTSEP06 CHK E. J. BRIGHT DTSEP06 APVD E. J. BRIGHT DTSEP06	TE Connectivity
DIMENSIONS: mm 	TOLERANCES UNLESS OTHERWISE SPECIFIED: 0 PLC ± 1 PLC ±0.25 2 PLC ±0.13 3 PLC ± 4 PLC ± ANGLES ± FINISH	NAME CAGE ASSEMBLY, THRU BEZEL, OSFP, WITH HEAT SINK - SIZE CAGE CODE DRAWING NO A100779C=1888631 RESTRICTED TO	
MATERIAL		PRODUCT SPEC 108-2286 APPLICATION SPEC 114-13217 WEIGHT CUSTOMER DRAWING	SCALE 4:1 SHEET 2 OF 6 REV D1

REVISIONS				
P.	LTN	DESCRIPTION	DATE	APVD
-	-	SEE SHEET 1	-	-



SCALE 4:1



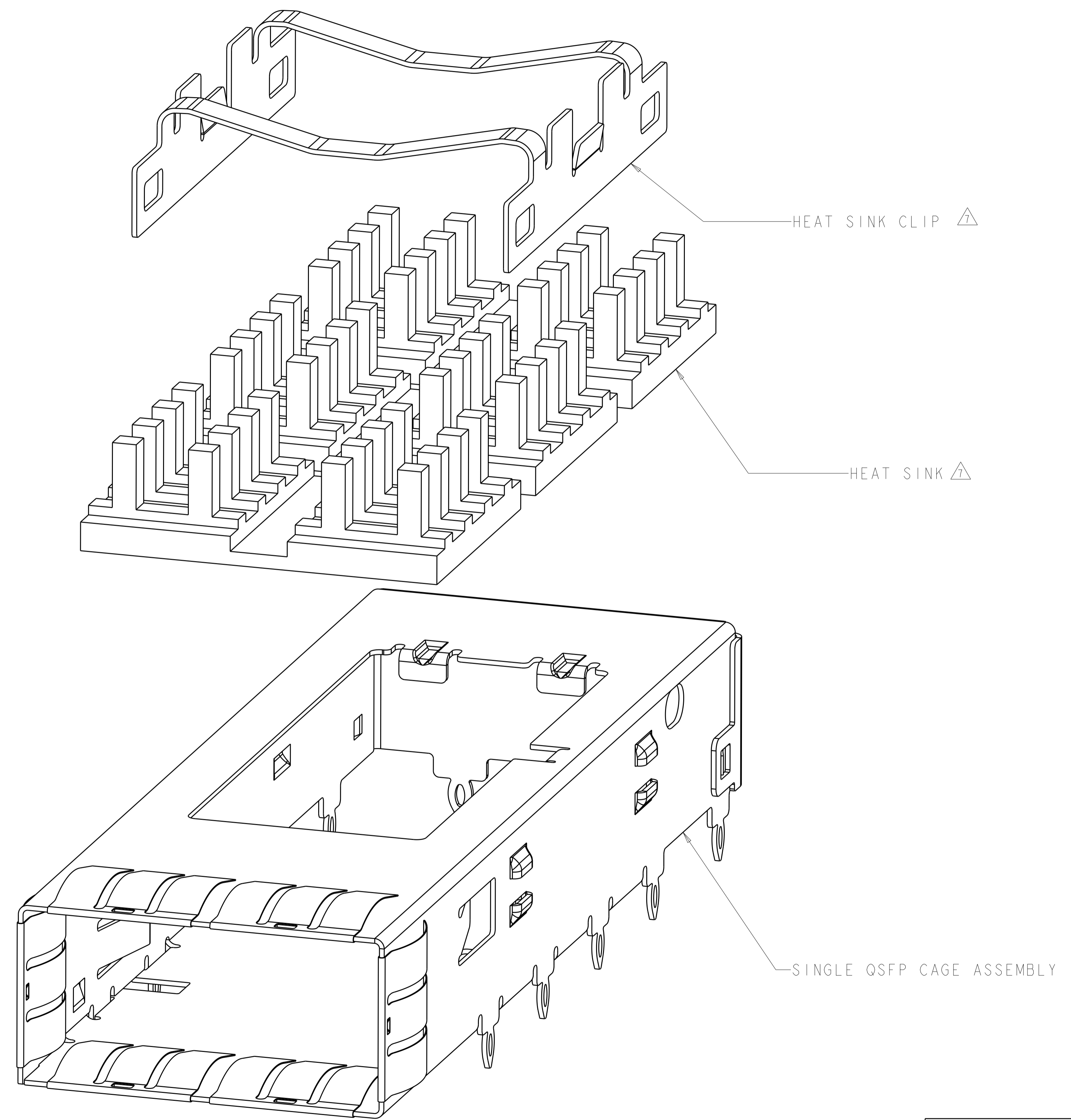
SCALE 4:1

UNSPECIFIED DIMENSIONS REFER 1888631-1


CUSTOMIZED HEAT SINK	1888631-5
DESCRIPTION	PART NUMBER

THIS DRAWING IS A CONTROLLED DOCUMENT.		DWN B. MCMASTER OTSEP06 CHK E. J. BRIGHT OTSEP06 APVD E. J. BRIGHT OTSEP06	TE Connectivity
DIMENSIONS: mm 	TOLERANCES UNLESS OTHERWISE SPECIFIED: 0 PLC ± 1 PLC ±0.25 2 PLC ±0.13 3 PLC ± 4 PLC ± ANGLES ± FINISH	NAME CAGE ASSEMBLY, THRU BEZEL, OSFP, WITH HEAT SINK PRODUCT SPEC 108-2286 APPLICATION SPEC 114-13217 WEIGHT CUSTOMER DRAWING	
MATERIAL		SCALE 4:1	SHEET 3 OF 6

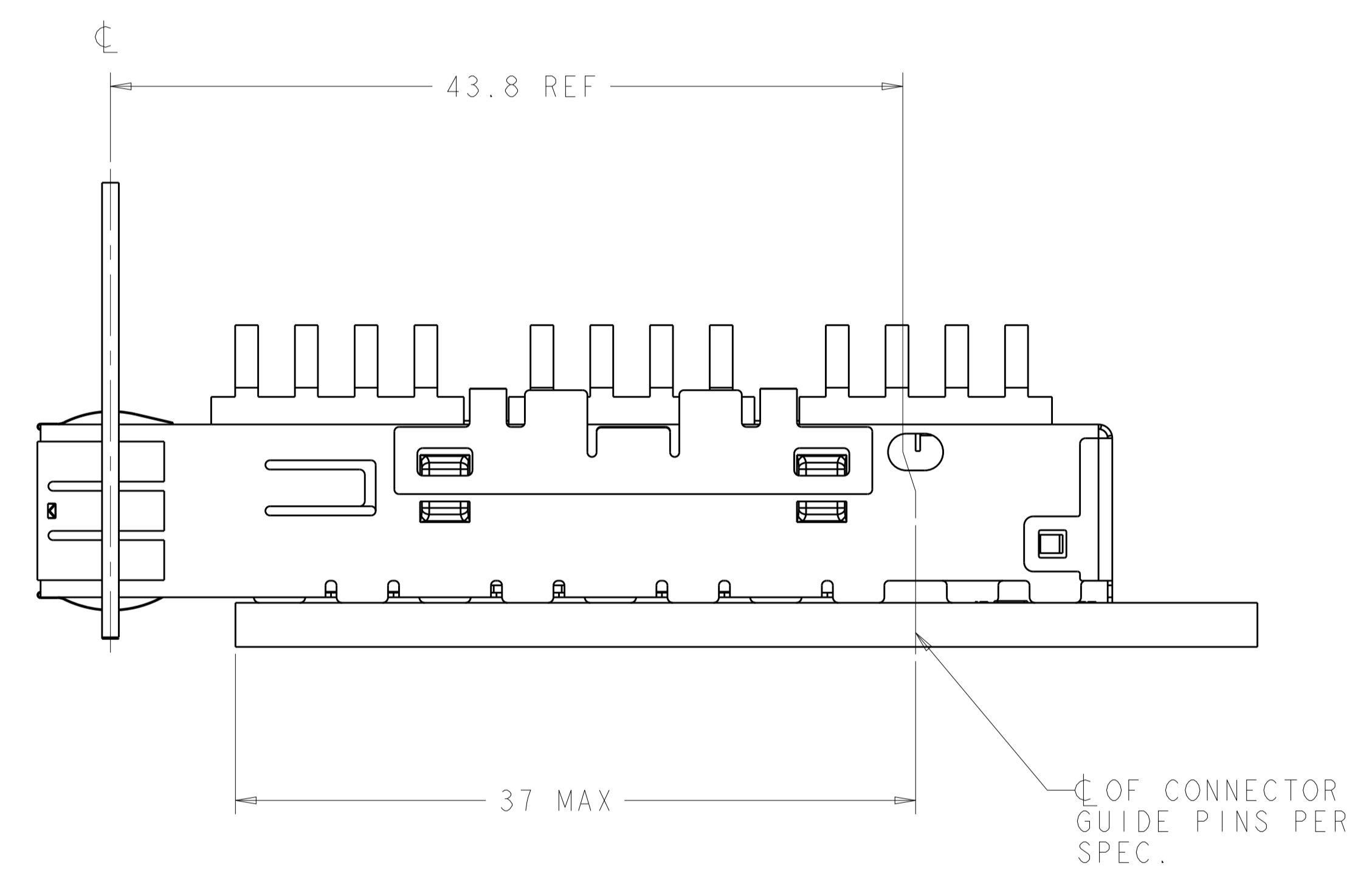
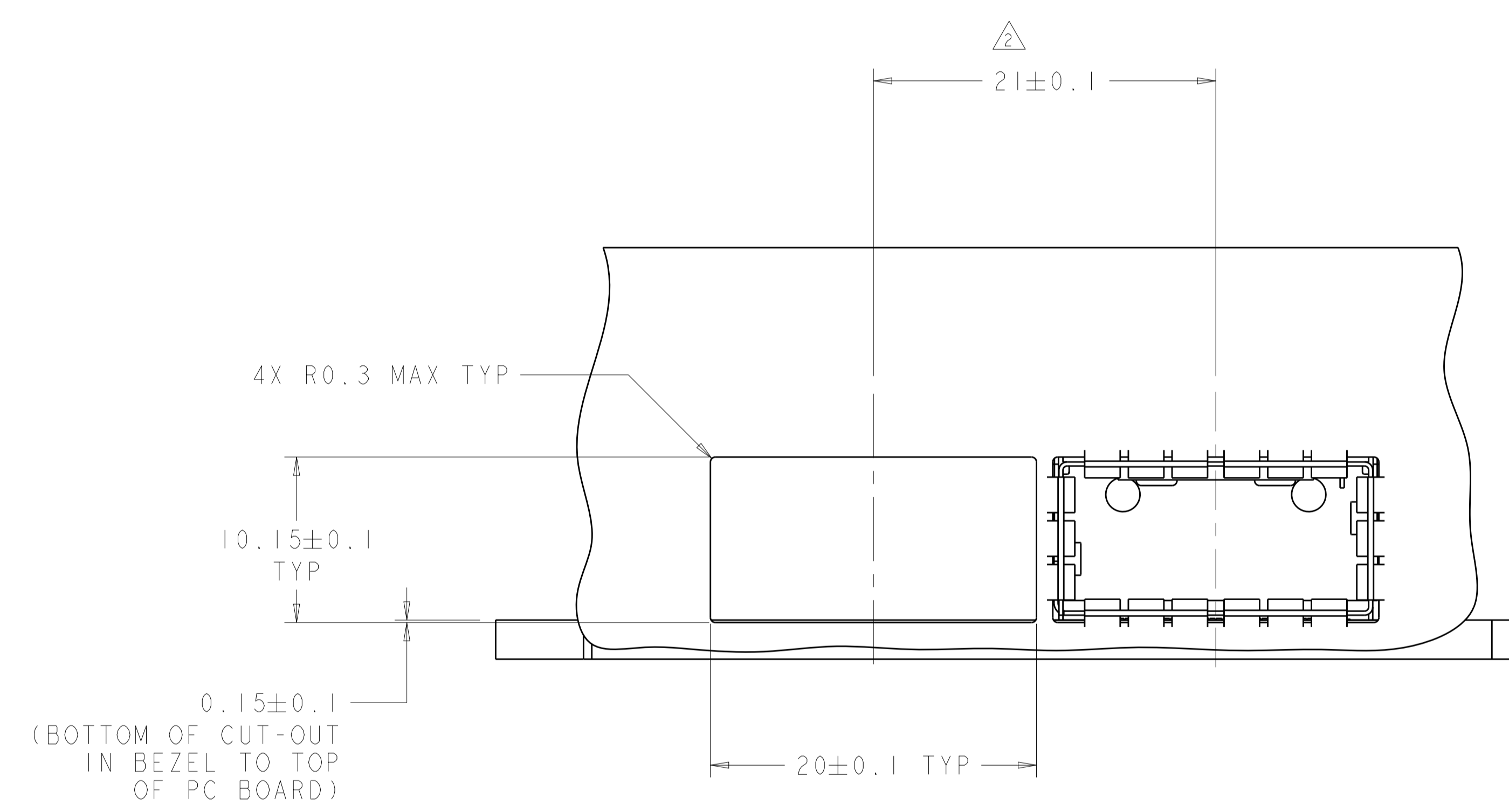
REVISIONS				
P.	LTN	DESCRIPTION	DATE	APVD
-	-	SEE SHEET 1	-	-



EXPLODED ASSEMBLY  
SCALE 8:1

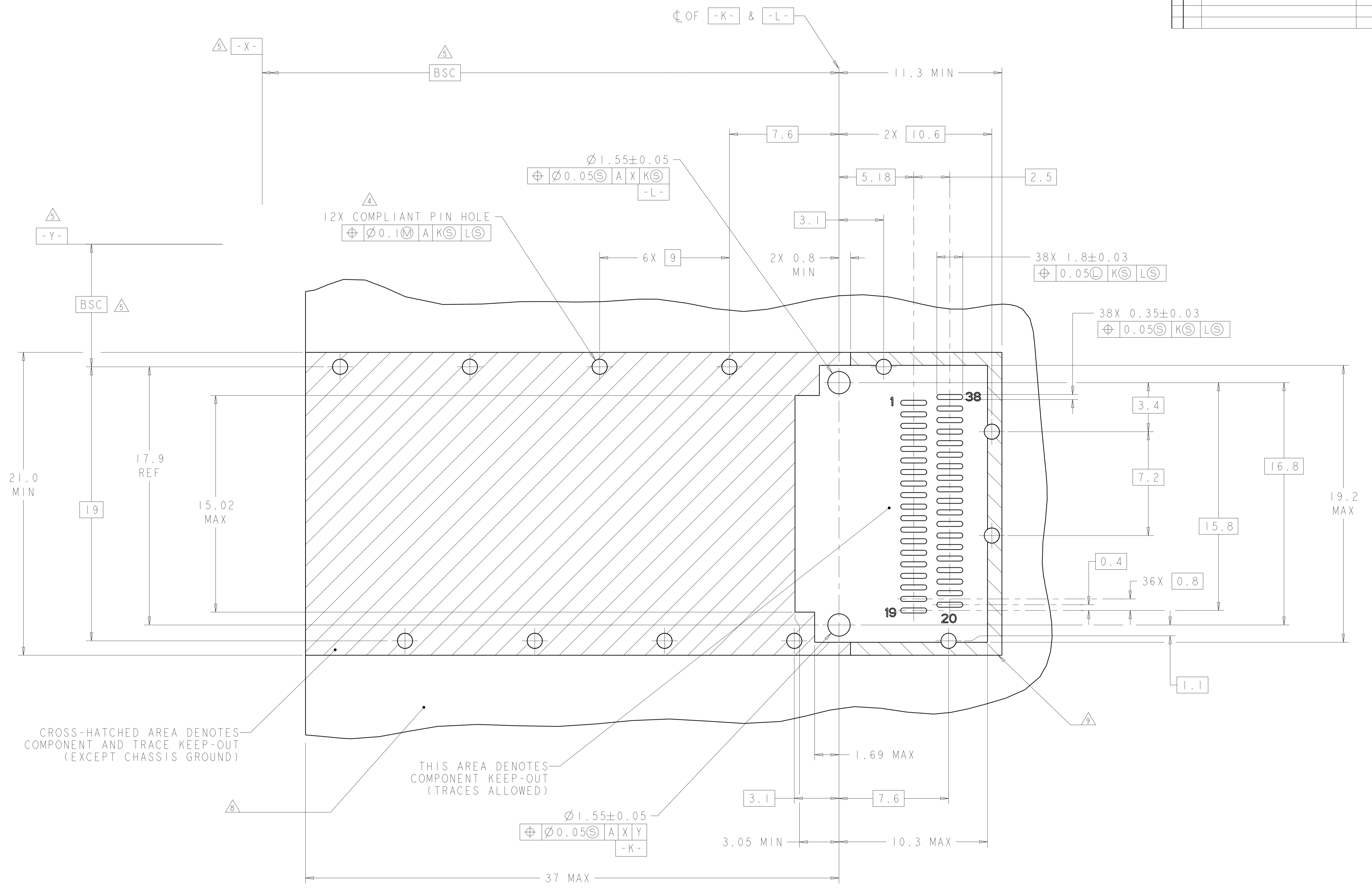
THIS DRAWING IS A CONTROLLED DOCUMENT.		OWN: B. MCMASTER OTSEP06	 TE Connectivity
DIMENSIONS: mm		CHK: E. J. BRIGHT OTSEP06	
TOLERANCES UNLESS OTHERWISE SPECIFIED:		APVD: E. J. BRIGHT OTSEP06	NAME: CAGE ASSEMBLY, THRU BEZEL, QSPF, WITH HEAT SINK
0 PLC	±	PRODUCT SPEC	SIZE: CAGE CODE DRAWING NO
1 PLC	±0.25	108-2286	RESTRICTED TO
2 PLC	±0.13	APPLICATION SPEC	A100779C=1888631
3 PLC	±	114-13217	SCALE 4:1 SHEET 4 OF 6 REV D1
4 PLC	±	WEIGHT	CUSTOMER DRAWING
ANGLES	±		
FINISH			

REVISIONS				
P.	LTN	DESCRIPTION	DATE	APVD
-	-	SEE SHEET 1	-	-



THIS DRAWING IS A CONTROLLED DOCUMENT.		DWN: B. MCMASTER OTSEP06 CHK: E. J. BRIGHT OTSEP06 APVD: E. J. BRIGHT OTSEP06	
DIMENSIONS: mm	TOLERANCES UNLESS OTHERWISE SPECIFIED: 0 PLC ± 1 PLC ±0.25 2 PLC ±0.13 3 PLC ± 4 PLC ± ANGLES ±	NAME: CAGE ASSEMBLY, THRU BEZEL, OSFP, WITH HEAT SINK PRODUCT SPEC: 108-2286 APPLICATION SPEC: 114-13217	
MATERIAL:	FINISH:	WEIGHT: CUSTOMER DRAWING	SIZE: A100779 CAGE CODE: C=1888631 SCALE: 4:1 SHEET: 5 OF 6 REV: D1

REVISIONS				
P.	LTN.	DESCRIPTION	DATE	APPD.
-	-	SEE SHEET 1	-	-



CROSS-HATCHED AREA DENOTES COMPONENT AND TRACE KEEP-OUT (EXCEPT CHASSIS GROUND)

THIS AREA DENOTES COMPONENT KEEP-OUT (TRACES ALLOWED)

RECOMMENDED PCB LAYOUT  
 SCALE 8:1

THIS DRAWING IS A CONTROLLED DOCUMENT.		OWN: B. MCMASTER OTSEP06	TE Connectivity
DIMENSIONS: mm		CHK: E. J. BRIGHT OTSEP06	
TOLERANCES UNLESS OTHERWISE SPECIFIED:		APPD: E. J. BRIGHT OTSEP06	NAME: CAGE ASSEMBLY, THRU BEZEL, OSFP, WITH HEAT SINK
0 PLC ±0.25	1 PLC ±0.13	PRODUCT SPEC: 108-2286	SIZE: A1
2 PLC ±0.13	3 PLC ±0.13	APPLICATION SPEC: 114-13217	CAGE CODE: 1888631
4 PLC ±0.13	ANGLES ±0.13	WEIGHT: -	RESTRICTED TO: -
MATERIAL: -	FINISH: -	CUSTOMER DRAWING	SCALE: 4:1 SHEET 6 OF 6 REV: D1

## X-ON Electronics

Largest Supplier of Electrical and Electronic Components

*Click to view similar products for [I/O Connectors](#) category:*

*Click to view products by [TE Connectivity](#) manufacturer:*

Other Similar products are found below :

[571763P](#) [72.250.1628.2](#) [72.250.2428.2](#) [74720-0505](#) [76.350.0729.0](#) [76871-1403](#) [FCN-244F080-G/1](#) [FCN-260A9920](#) [MP-5T180MUNNA-005](#)  
[PCR-E36PM](#) [PCS-XE26MA+](#) [G38A71314B](#) [1571250010](#) [157-22500-3](#) [MS3471L14-19P L/C](#) [91-569786-35H](#) [172501-4002](#) [172501-6002](#)  
[FCN-260C008-A/L0](#) [FCN-260C024-AL0](#) [FCN-261Z008](#) [2000314-1](#) [200331-1](#) [PCR-E36FC+](#) [PCS-E28FS+](#) [PCS-XE26SLFD+](#) [PCS-](#)  
[XE26SLFDT+](#) [G730VID08BDC24](#) [U90B2054081210](#) [UE86K842720321](#) [38113800006](#) [DP3AR020WQ1R200](#) [Z4.102.0680.0](#) [500-1040](#)  
[500-1052](#) [500-1054](#) [ZP-4008-66L](#) [0709821002](#) [10-565995-597N](#) [DX40-20P\(55\)](#) [5554841-1](#) [U90B3054061110](#) [U65-E04-4020](#)  
[ZPF000000000097891](#) [557-262M2-06C](#) [747360449](#) [10099439-003C-TRLF](#) [10137239-0021LF](#) [E9320-001-01](#) [10137239-0011LF](#)