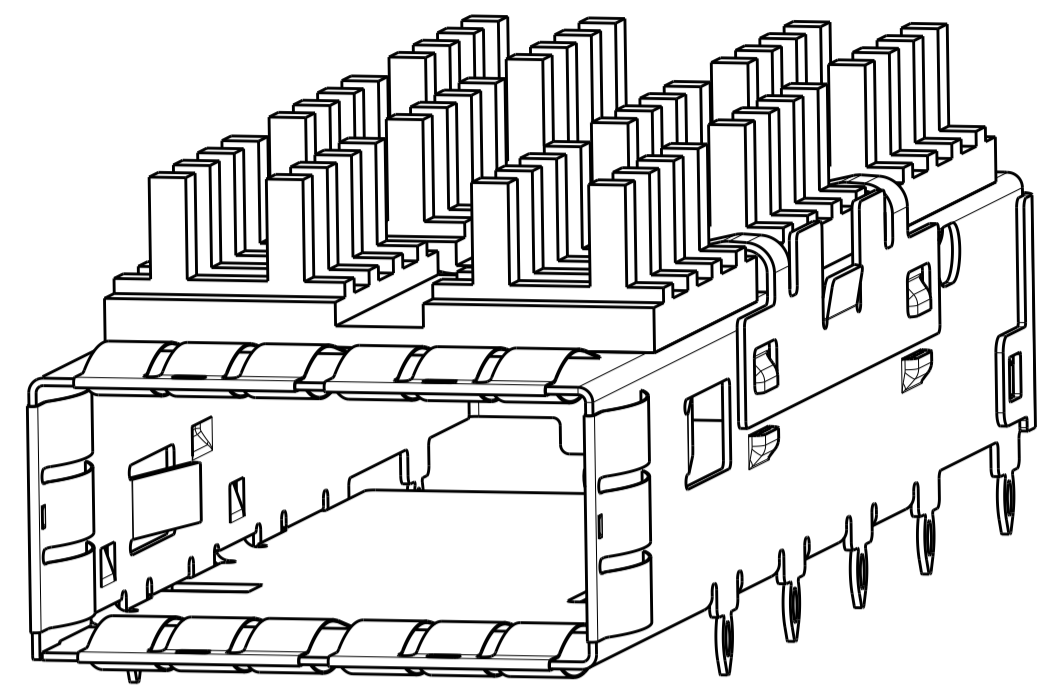
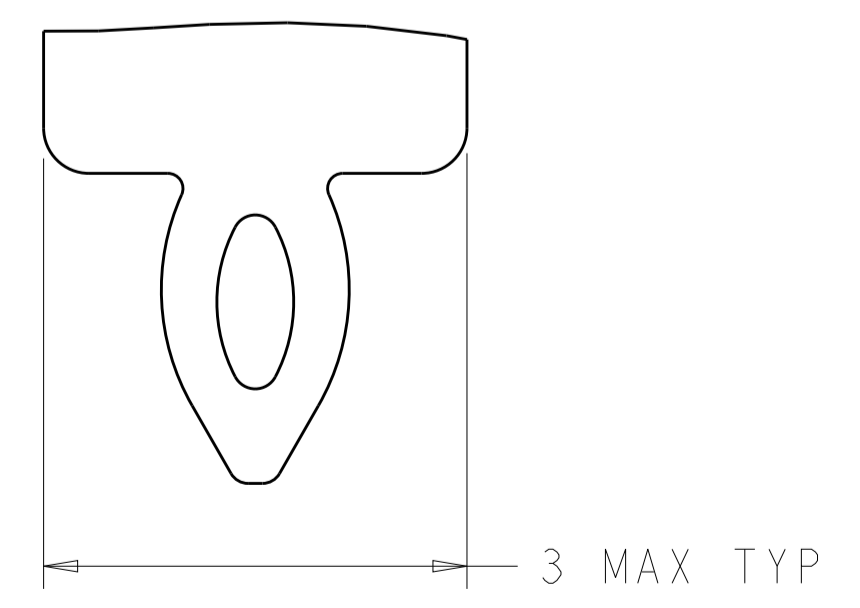
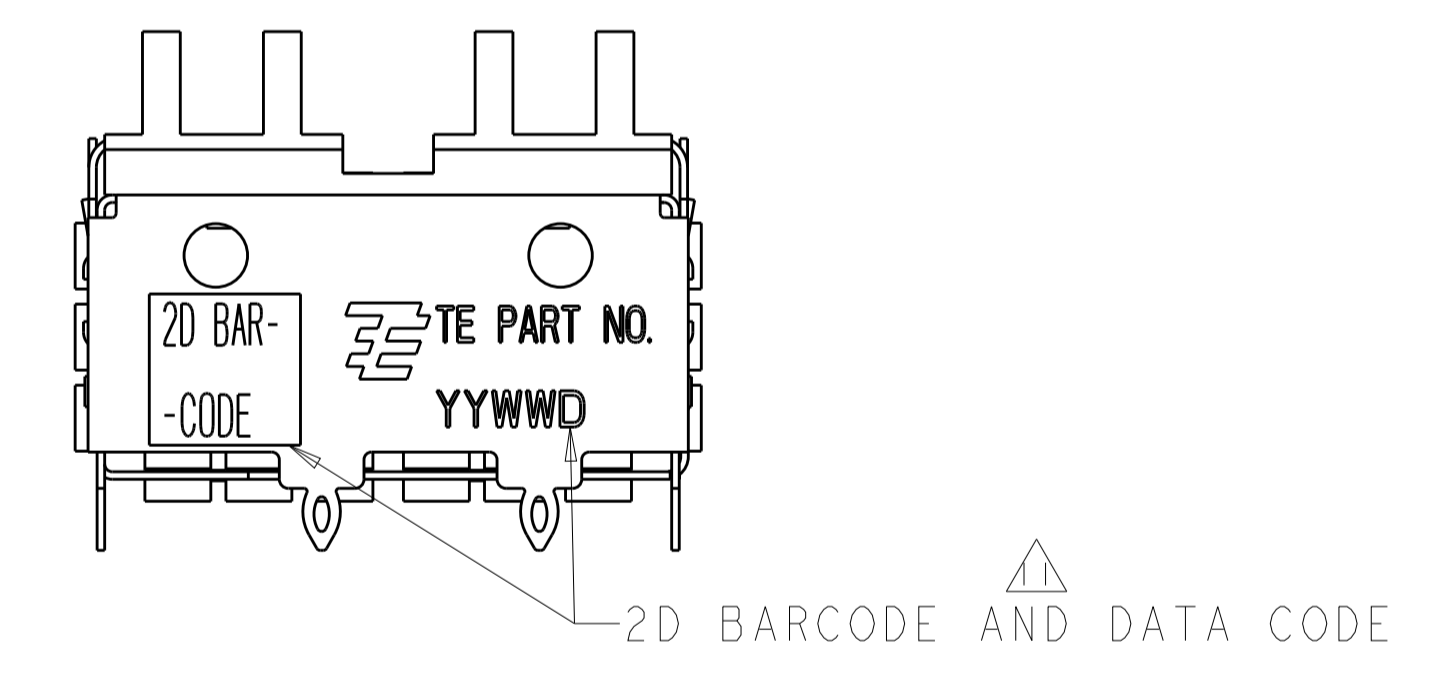
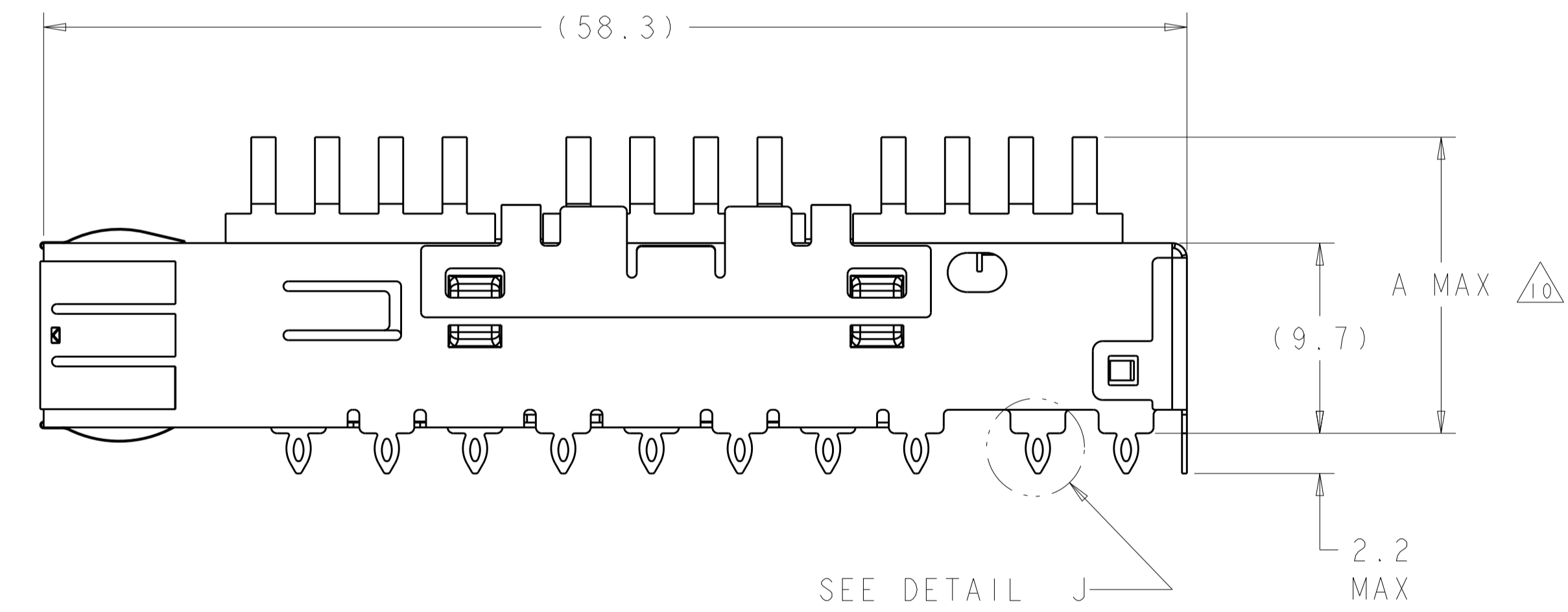
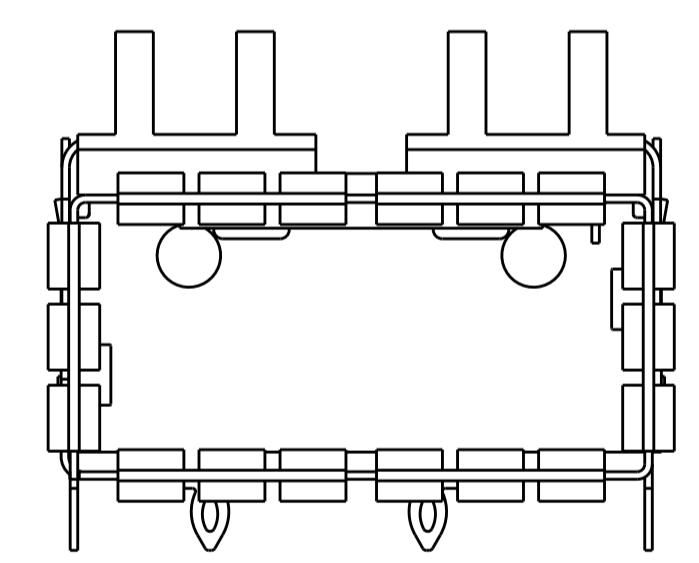
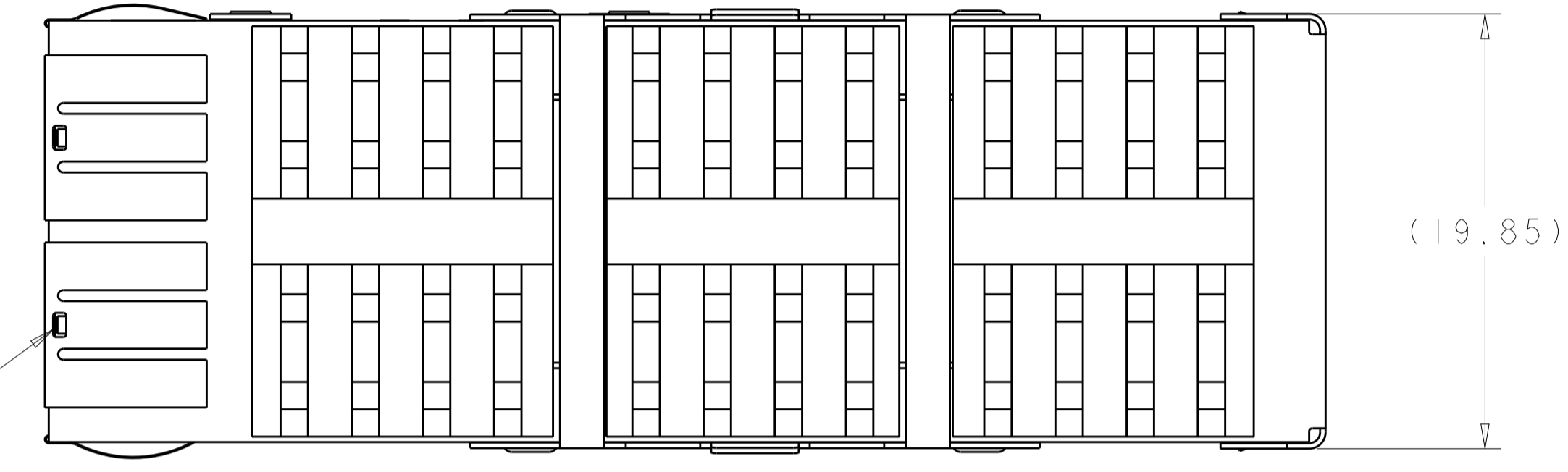


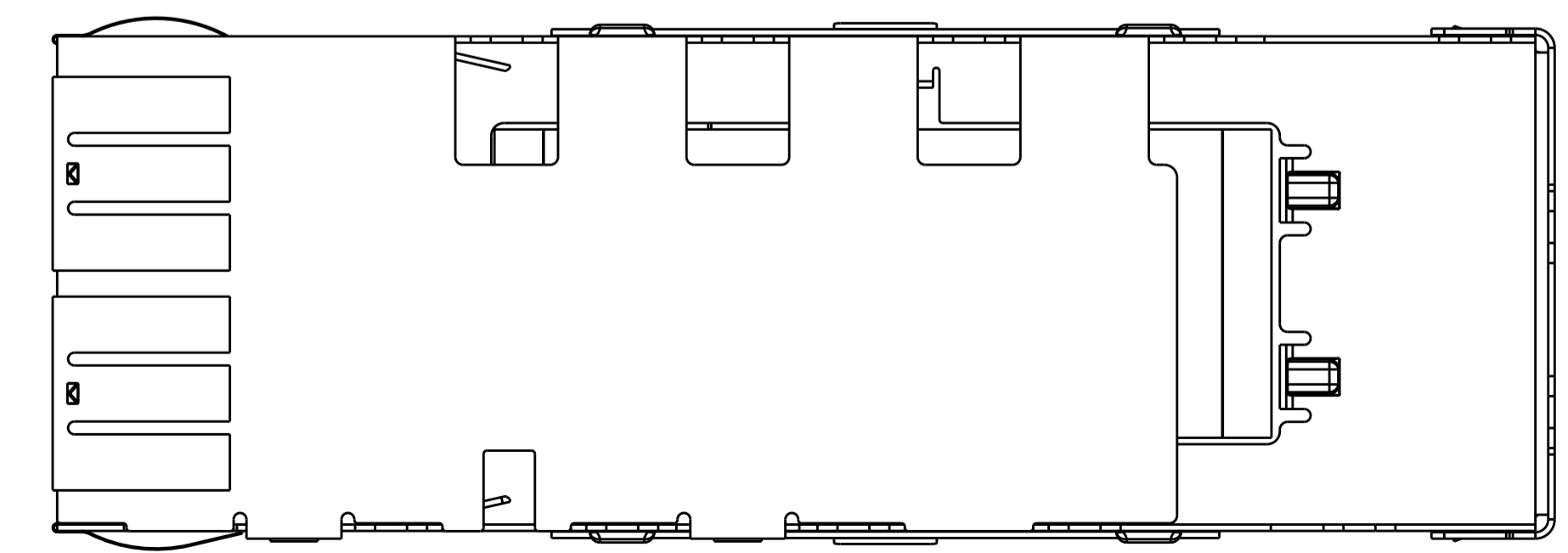
REVISIONS				
P.	LTN	DESCRIPTION	DATE	APVD
B1		REVISE PER ECO-14-006734	16MAY2014	RG MC
C		REVISE PER ECO-14-009898	16JUNE2014	RG MC
D		REVISE PER ECO-14-017735	24MAR2015	RG MC
D1		REVISED PER ECO-15-012094	20AUG2015	RG SH



Sn42Bi58 SOLDER
6 PLACES



DETAIL J
SCALE 20:1

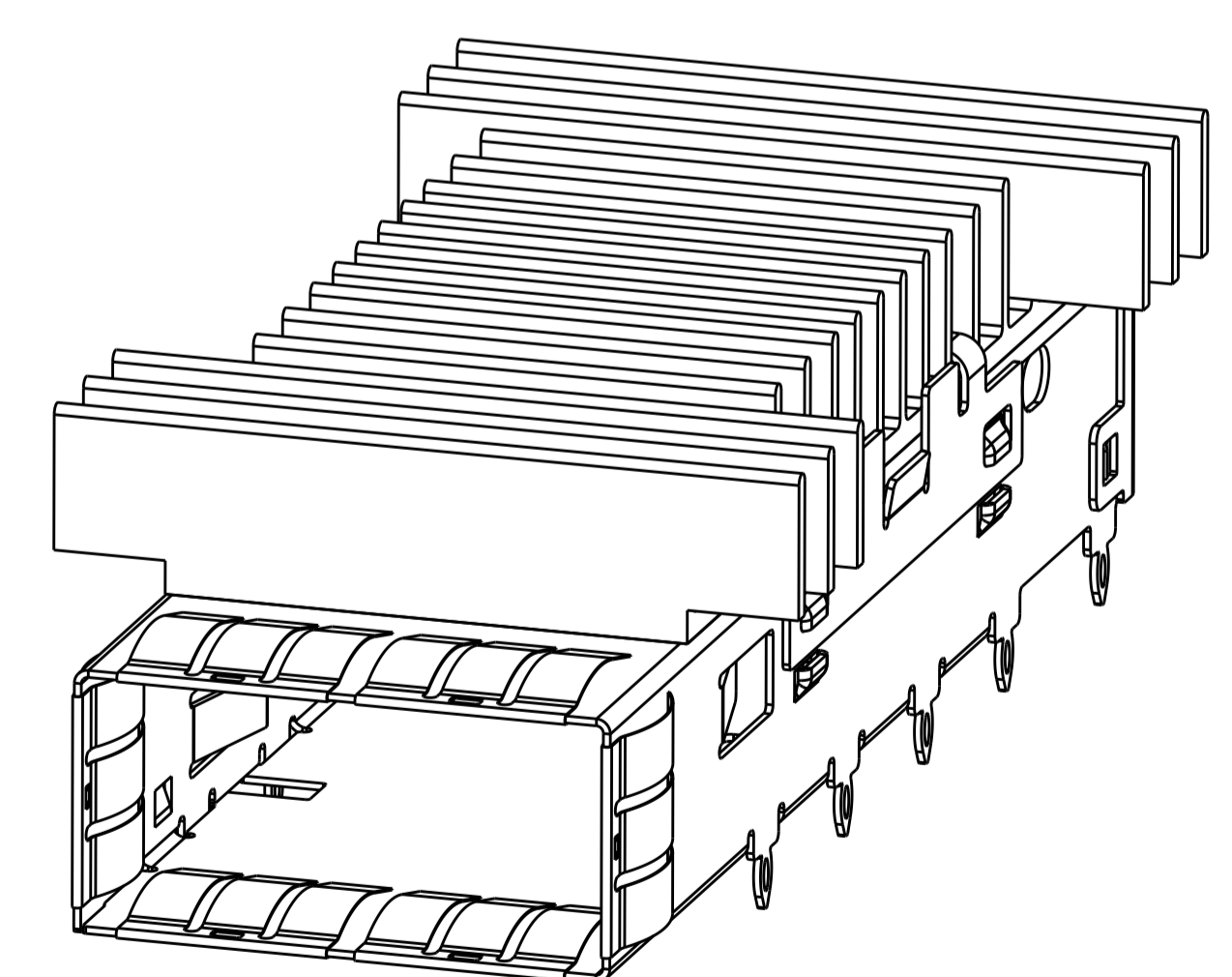
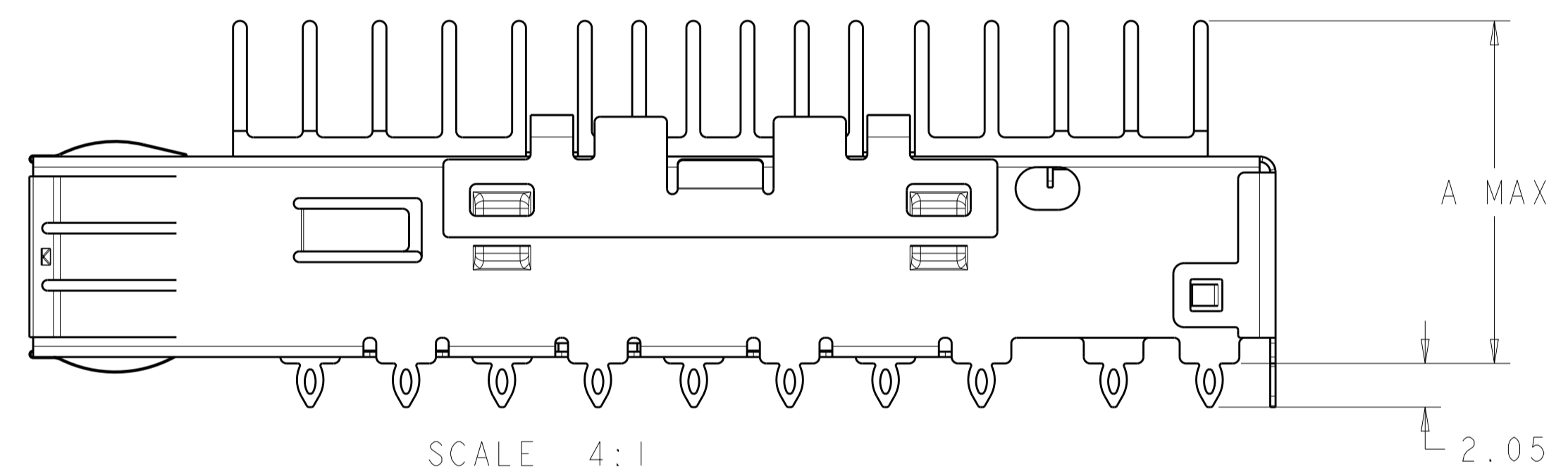
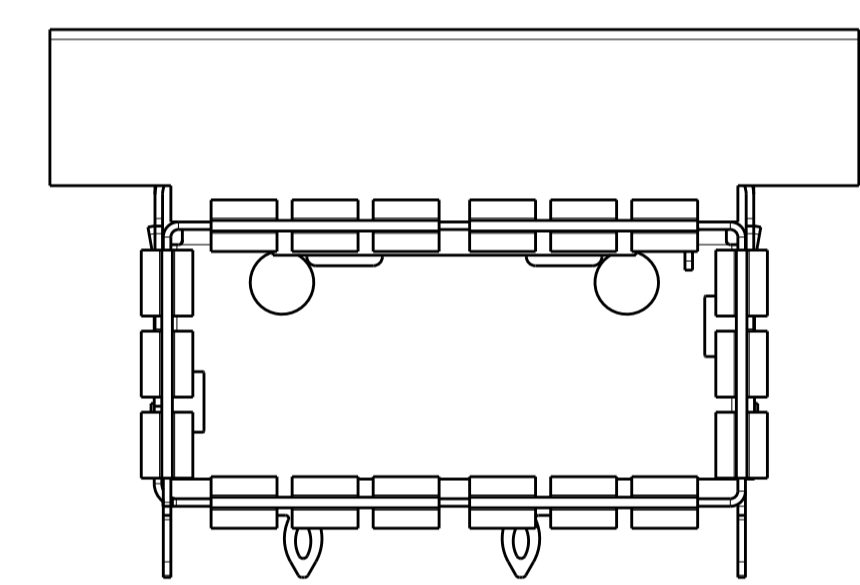
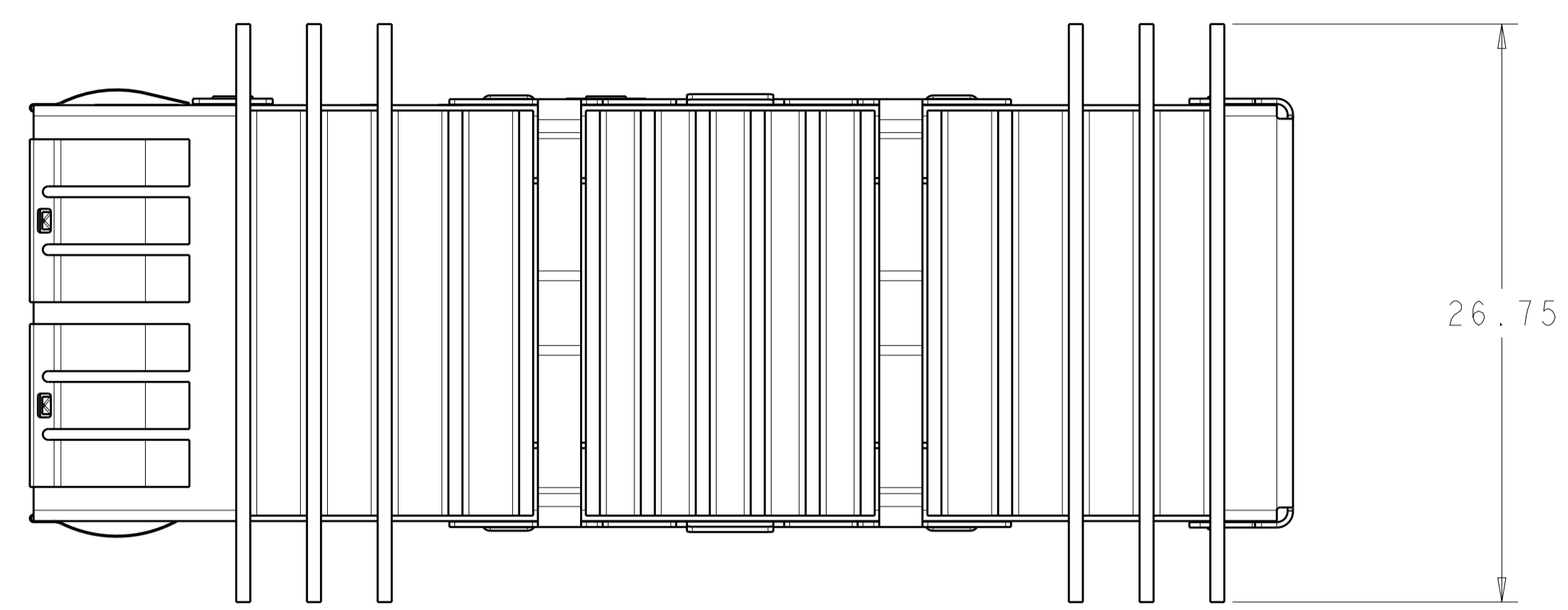


- 1. CAGE MATERIAL: NICKEL SILVER, 0.25 THICK
 HEAT SINK MATERIAL: ALUMINUM
 HEAT SINK CLIP MATERIAL: STAINLESS STEEL
 EMI SPRINGS MATERIAL: COPPER ALLOY
- 2. MINIMUM PITCH DIMENSION.
- 3. MATES WITH QSFP MSA COMPATIBLE TRANSCEIVER.
- 4. REFERENCE APPLICATION SPEC 114-13217 FOR RECOMMENDED DRILL HOLE DIAMETER AND PLATING THICKNESS.
- 5. DATUMS AND BASIC DIMENSIONS ESTABLISHED BY CUSTOMER.
- 6. MINIMUM PC BOARD THICKNESS:
 SINGLE SIDED = 1.45mm (shown, pg. 4)
 DOUBLE SIDED = 2.2mm
- 7. HEATSINK AND CLIP SHIPPED ASSEMBLED TO CAGE ASSEMBLY. CAGE ASSEMBLY MAY BE PRESSED INTO THE PCB AS SHIPPED.
- 8. DATUM -A- IS TOP SURFACE OF HOST BOARD.
- 9. SURFACE TRACES PERMITTED WITHIN THIS AREA EXCEPT WHERE CAGE STANDOFFS, SHOWN IN DETAIL J, CONTACT PC BOARD.
- 10. DIMENSION APPLIES WITH MODULE INSTALLED IN THE CAGE.
- 11. 2D BARCODE AND DATE CODE (YYWWD) MARKED ON BACK OF CAGE.
- 12. SPRING FINISH: 0.8µm MIN TIN OVER 0.8µm MIN NICKEL. NON-PLATED EDGES PERMISSIBLE.
 HEAT SINK FINISH: 0.076 µm MIN NICKEL OR BLACK ANODIZED.
- 13. PRODUCT HAS NOT COMPLETED QUALIFICATION TESTING.

23.0	NETWORKING HEAT SINK	1888631-3
16.0	SAN HEAT SINK (SHOWN)	1888631-2
13.7	PCI HEAT SINK	1888631-1
A	DESCRIPTION	PART NUMBER

THIS DRAWING IS A CONTROLLED DOCUMENT.		OWN: B. MCMASTER	OTSEP06	TE Connectivity NAME: CAGE ASSEMBLY, THRU BEZEL, QSFP, WITH HEAT SINK PRODUCT SPEC: 108-2286 APPLICATION SPEC: 114-13217 SIZE: CAGE CODE DRAWING NO: A100779 DRAWING NO: C=1888631 RESTRICTED TO:
DIMENSIONS:		CHK: E. J. BRIGHT	OTSEP06	
TOLERANCES UNLESS OTHERWISE SPECIFIED:		APVD: E. J. BRIGHT	OTSEP06	
mm		FINISH: 12		
0 PLC	±	MATERIAL: 1		
1 PLC	±0.25	CUSTOMER DRAWING		
2 PLC	±0.13	SCALE: 4:1		
3 PLC	±	SHEET: 1 OF 6		
4 PLC	±	REV: D1		
ANGLES	±			
FINISH	12			

REVISIONS				
P.	LTN	DESCRIPTION	DATE	APVD
-	-	SEE SHEET 1	-	-

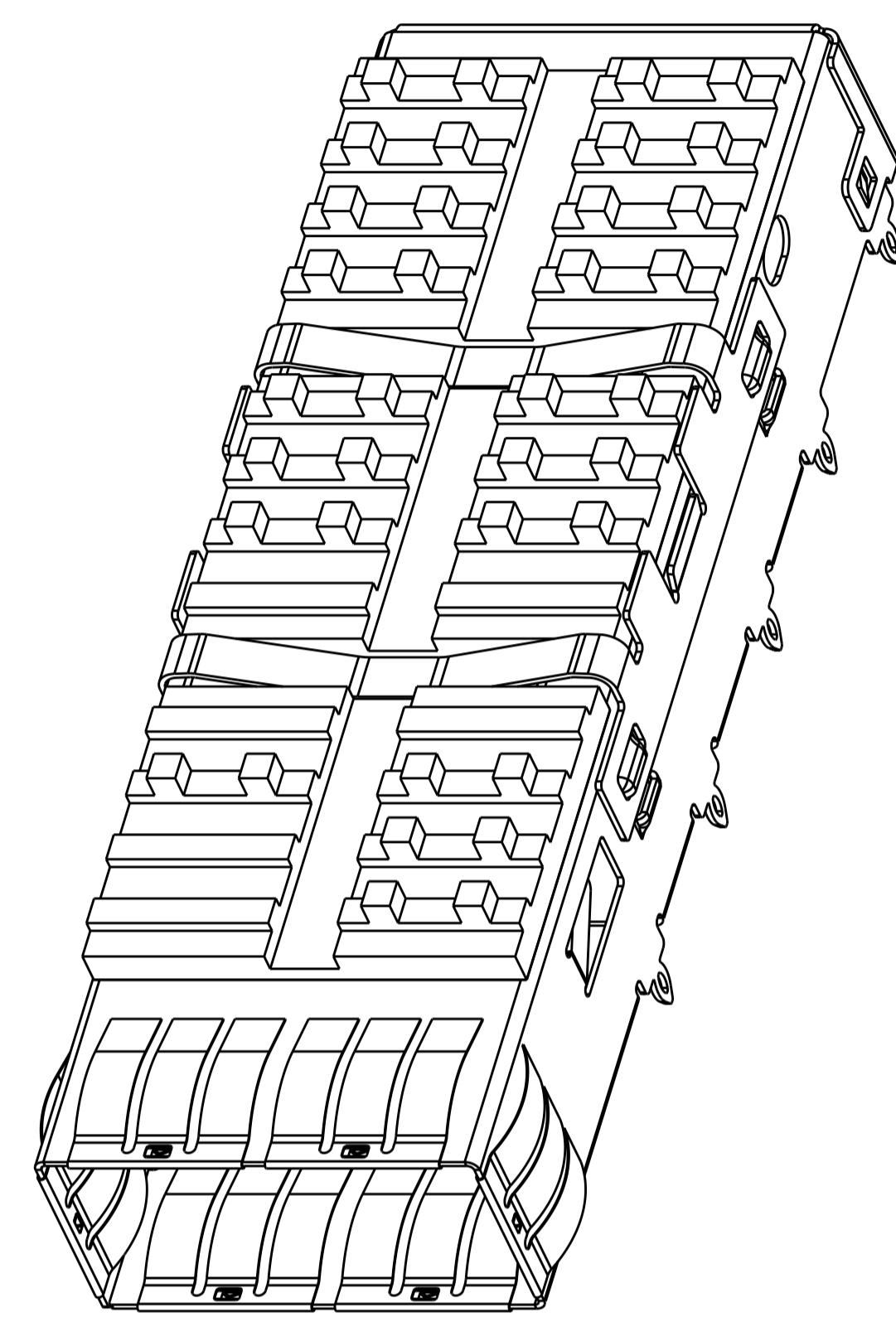


1888631-4 AS SHOWN
 SCALE 4:1

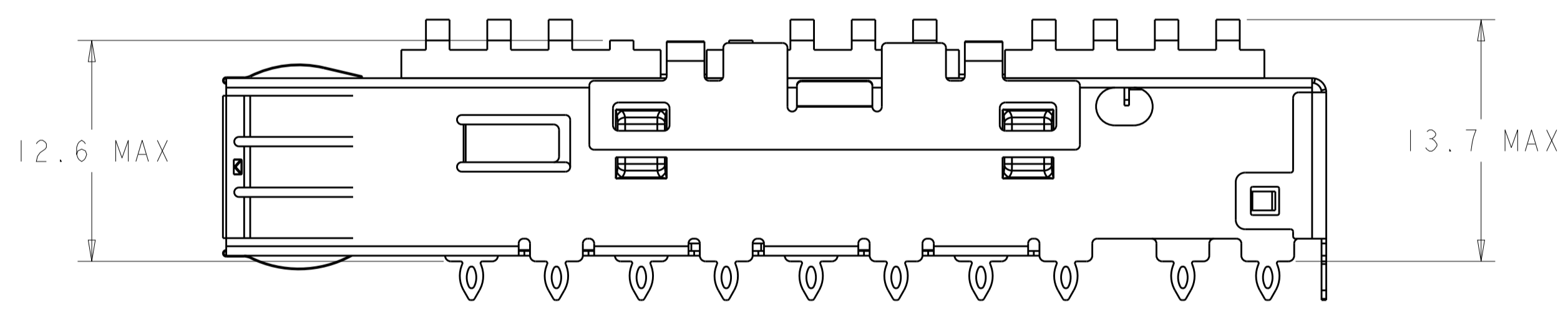
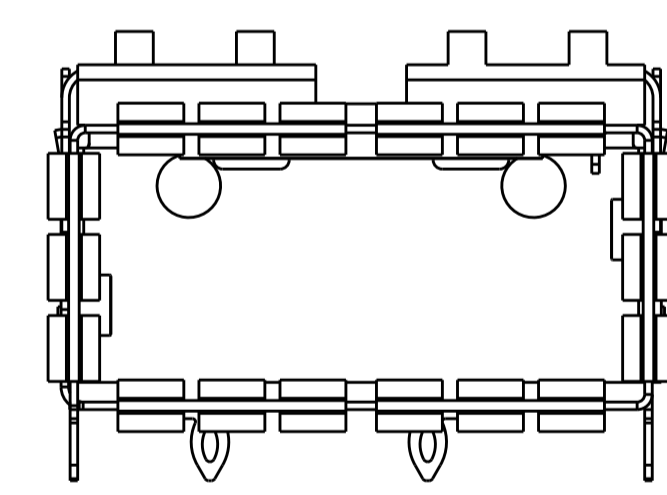
16.96	CUSTOMIZED HEAT SINK	1888631-4
A	DESCRIPTION	PART NUMBER

THIS DRAWING IS A CONTROLLED DOCUMENT.		DWN B. MCMASTER OTSEP06 CHK E. J. BRIGHT OTSEP06 APVD E. J. BRIGHT OTSEP06	TE Connectivity
DIMENSIONS: mm 	TOLERANCES UNLESS OTHERWISE SPECIFIED: 0 PLC ± 1 PLC ±0.25 2 PLC ±0.13 3 PLC ± 4 PLC ± ANGLES ± FINISH	NAME CAGE ASSEMBLY, THRU BEZEL, OSFP, WITH HEAT SINK - SIZE CAGE CODE DRAWING NO A100779C=1888631 RESTRICTED TO	
MATERIAL		PRODUCT SPEC 108-2286 APPLICATION SPEC 114-13217 WEIGHT CUSTOMER DRAWING	SCALE 4:1 SHEET 2 OF 6 REV D1

REVISIONS				
P.	LTN	DESCRIPTION	DATE	APVD
-	-	SEE SHEET 1	-	-



SCALE 4:1



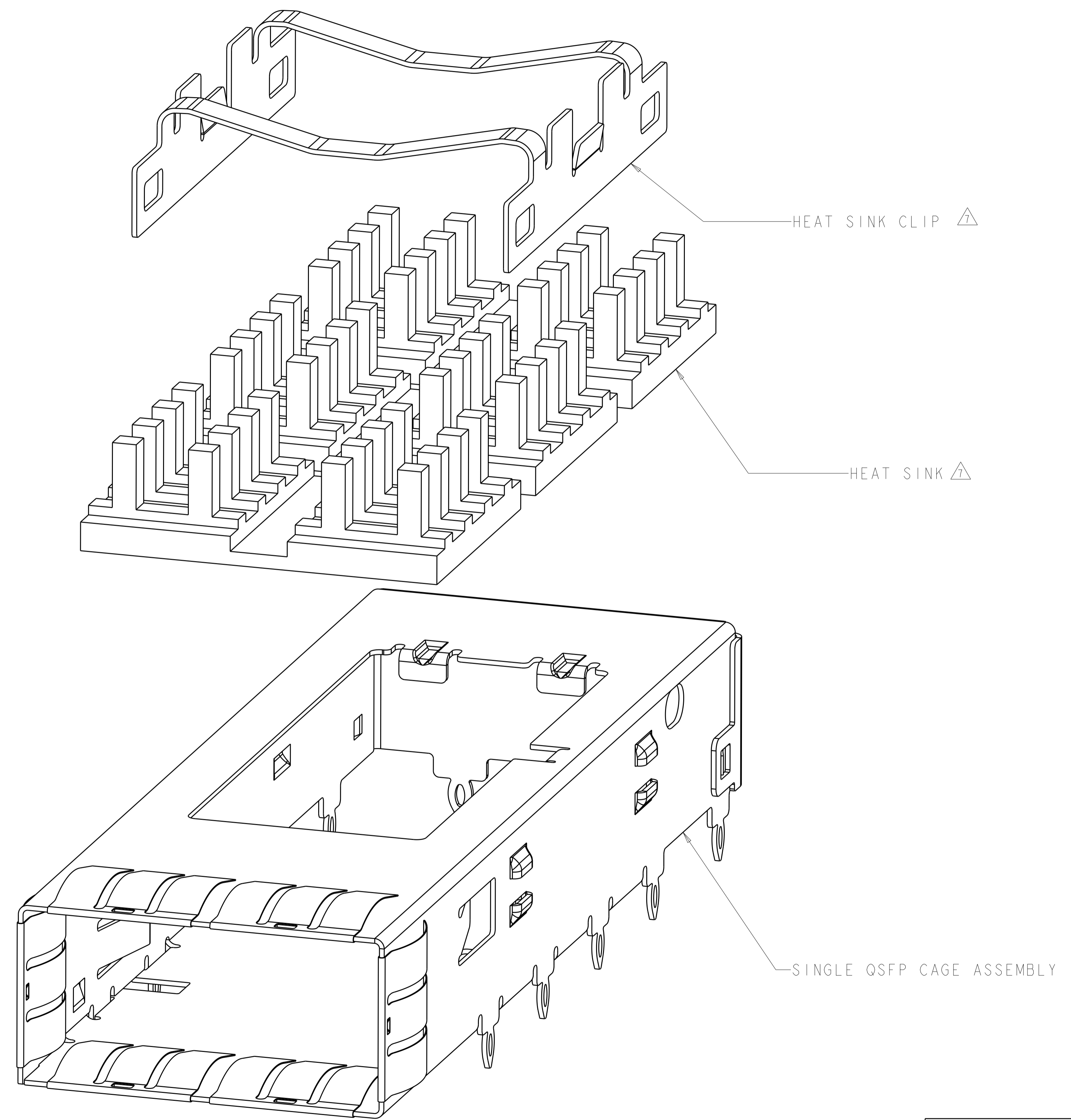
SCALE 4:1

UNSPECIFIED DIMENSIONS REFER 1888631-1


CUSTOMIZED HEAT SINK	1888631-5
DESCRIPTION	PART NUMBER

THIS DRAWING IS A CONTROLLED DOCUMENT.		DWN B. MCMASTER OTSEP06 CHK E. J. BRIGHT OTSEP06 APVD E. J. BRIGHT OTSEP06	TE Connectivity
DIMENSIONS: mm 	TOLERANCES UNLESS OTHERWISE SPECIFIED: 0 PLC ± 1 PLC ±0.25 2 PLC ±0.13 3 PLC ± 4 PLC ± ANGLES ± FINISH	NAME CAGE ASSEMBLY, THRU BEZEL, OSFP, WITH HEAT SINK PRODUCT SPEC 108-2286 APPLICATION SPEC 114-13217 WEIGHT CUSTOMER DRAWING	
MATERIAL		SCALE 4:1	SHEET 3 OF 6

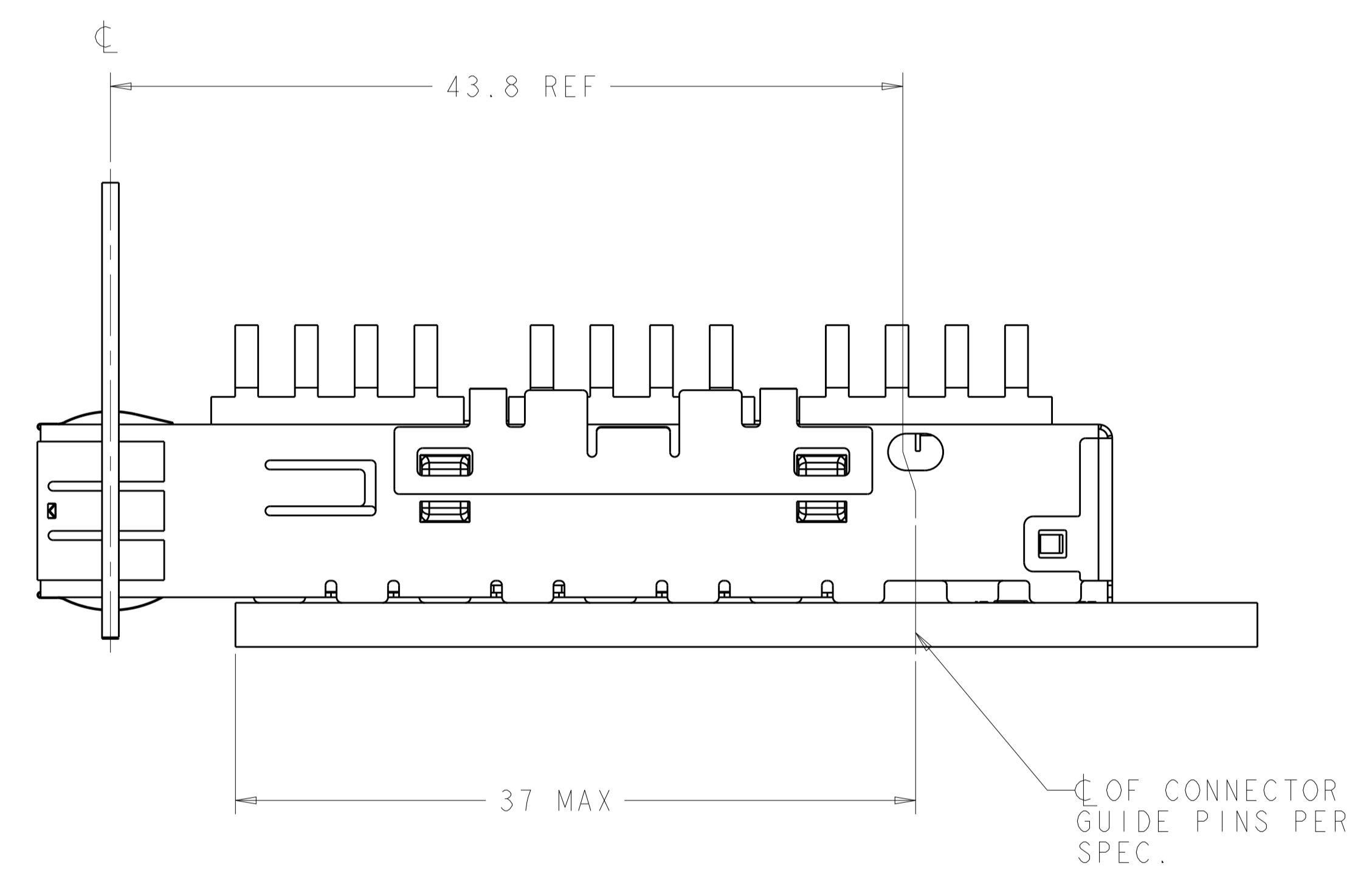
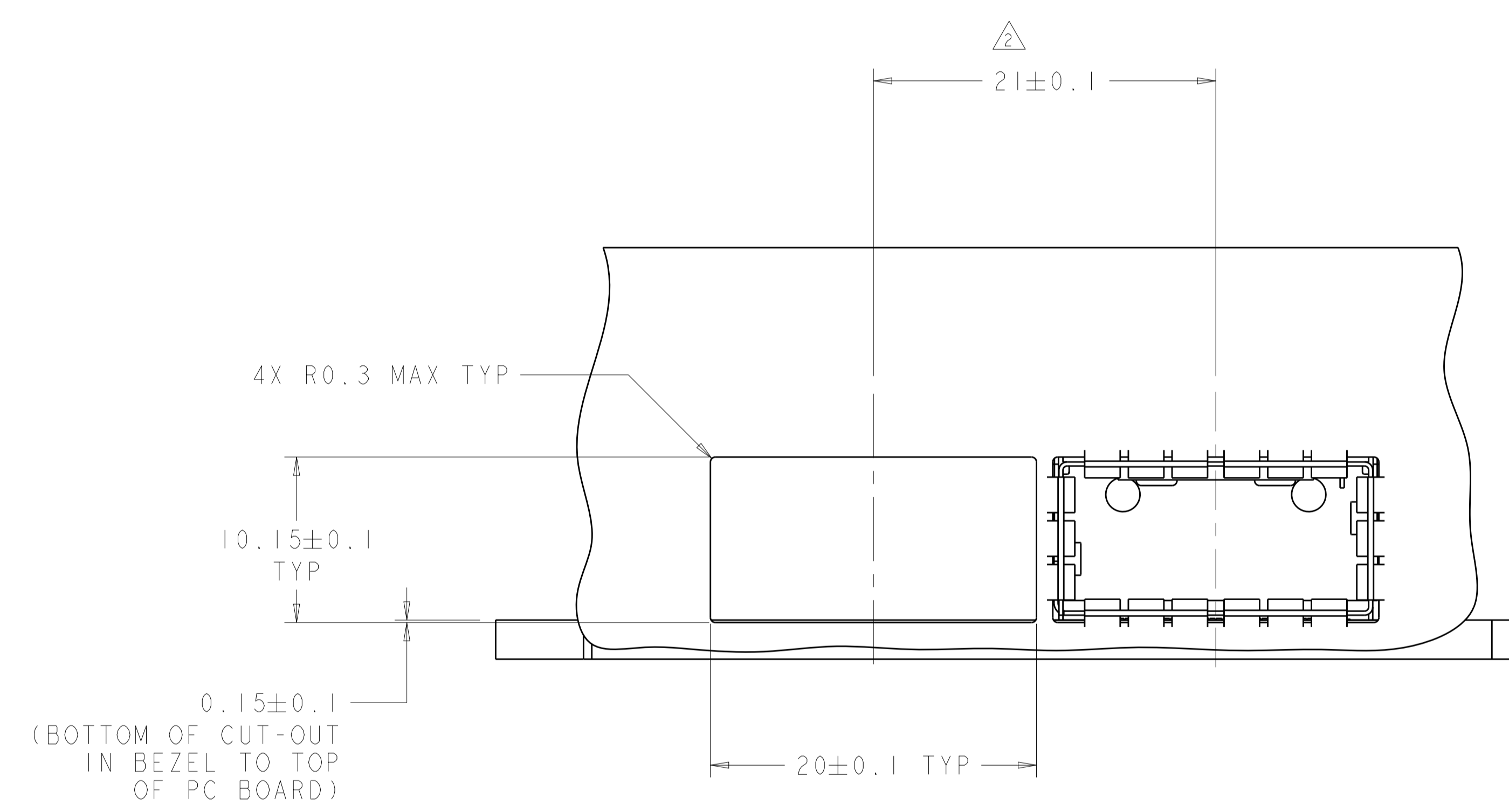
REVISIONS				
P.	LTN	DESCRIPTION	DATE	APVD
-	-	SEE SHEET 1	-	-



EXPLODED ASSEMBLY
SCALE 8:1

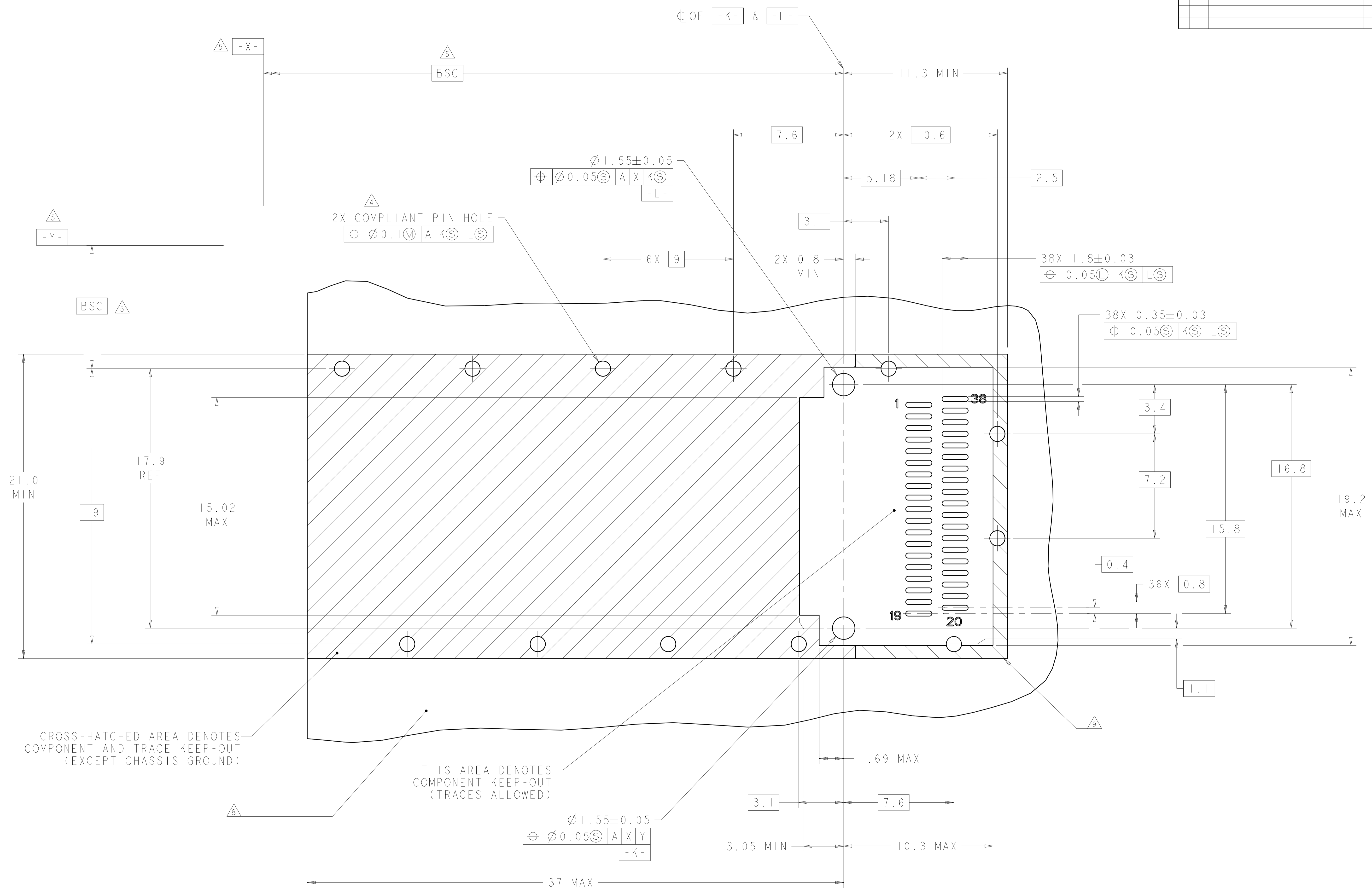
THIS DRAWING IS A CONTROLLED DOCUMENT.		OWN B. MCMASTER	DTSEP06	 TE Connectivity
DIMENSIONS: mm		CHK E. J. BRIGHT	DTSEP06	
TOLERANCES UNLESS OTHERWISE SPECIFIED:		APVD E. J. BRIGHT	DTSEP06	NAME CAGE ASSEMBLY, THRU BEZEL, QSFP, WITH HEAT SINK
0 PLC ±		PRODUCT SPEC		SIZE 108-2286
1 PLC ±0.25		APPLICATION SPEC		RESTRICTED TO
2 PLC ±0.13		114-13217		A100779C=1888631
3 PLC ±		WEIGHT		SCALE 4:1 SHEET 4 OF 6 REV D1
4 PLC ±		CUSTOMER DRAWING		
ANGLES ±				
FINISH				
MATERIAL				

REVISIONS					
P.	LTN	DESCRIPTION	DATE	DMN	APVD
-	-	SEE SHEET 1	-	-	-



THIS DRAWING IS A CONTROLLED DOCUMENT.		DMN: B. MCMASTER 0TSEP06	
DIMENSIONS: mm		CHK: E. J. BRIGHT 0TSEP06	
TOLERANCES UNLESS OTHERWISE SPECIFIED:		APVD: E. J. BRIGHT 0TSEP06	NAME: CAGE ASSEMBLY, THRU BEZEL, OSFP, WITH HEAT SINK
0 PLC ±	1 PLC ±0.25	PRODUCT SPEC: 108-2286	SIZE: A100779
2 PLC ±0.13	3 PLC ±	APPLICATION SPEC: 114-13217	CAGE CODE: C=1888631
4 PLC ±	ANGLES ±	WEIGHT: -	RESTRICTED TO: -
MATERIAL: -	FINISH: -	CUSTOMER DRAWING	SCALE: 4:1 SHEET 5 OF 6 REV: D1

REVISIONS				
P.	LTN.	DESCRIPTION	DATE	APPD.
-	-	SEE SHEET 1	-	-



CROSS-HATCHED AREA DENOTES COMPONENT AND TRACE KEEP-OUT (EXCEPT CHASSIS GROUND)

THIS AREA DENOTES COMPONENT KEEP-OUT (TRACES ALLOWED)

RECOMMENDED PCB LAYOUT
 SCALE 8:1

THIS DRAWING IS A CONTROLLED DOCUMENT.		OWN: B. MCMASTER OTSEP06	TE Connectivity
DIMENSIONS: mm		CHK: E. J. BRIGHT OTSEP06	
TOLERANCES UNLESS OTHERWISE SPECIFIED:		APPD: E. J. BRIGHT OTSEP06	NAME: CAGE ASSEMBLY, THRU BEZEL, OSFP, WITH HEAT SINK
0 PLC ±0.25	1 PLC ±0.13	PRODUCT SPEC: 108-2286	SIZE: A1
2 PLC ±0.13	3 PLC ±0.13	APPLICATION SPEC: 114-13217	CAGE CODE: 1888631
4 PLC ±0.13	ANGLES ±0.13	WEIGHT: -	RESTRICTED TO: -
MATERIAL: -	FINISH: -	CUSTOMER DRAWING	SCALE: 4:1 SHEET 6 OF 6 REV: D1

X-ON Electronics

Largest Supplier of Electrical and Electronic Components

Click to view similar products for [I/O Connectors](#) category:

Click to view products by [TE Connectivity](#) manufacturer:

Other Similar products are found below :

[571763P](#) [58098-0628](#) [72.250.1628.2](#) [72.250.2428.2](#) [74720-0505](#) [76.350.0729.0](#) [76871-1403](#) [FCN-244F080-G/1](#) [FCN-260A9920](#) [PCR-E36PM](#) [PCS-XE26MA+](#) [G38A71314B](#) [1571250010](#) [157-22500-3](#) [MS3471L14-19P L/C](#) [172501-4002](#) [172501-6002](#) [FCN-260C008-A/L0](#) [FCN-260C024-AL0](#) [FCN-261Z008](#) [2000314-1](#) [200331-1](#) [PCR-E36FC+](#) [PCS-E28FS+](#) [PCS-XE26SLFD+](#) [PCS-XE26SLFDT+](#) [G730VID08BDC24](#) [U90B2054081210](#) [38113800006](#) [DP3AR020WQ1R200](#) [Z4.102.0680.0](#) [500-1040](#) [500-1052](#) [500-1054](#) [ZP-4008-66L](#) [0709821002](#) [DX40-20P\(55\)](#) [5554841-1](#) [MS3474W18-8P-LC*](#) [U90B3054061110](#) [U65-E04-4020](#) [ZPF000000000097891](#) [747360449](#) [10099439-003C-TRLF](#) [10137239-0021LF](#) [E9320-001-01](#) [10137239-0011LF](#) [70289-001LF](#) [70.060.1028.0](#) [109029-ZZ](#)