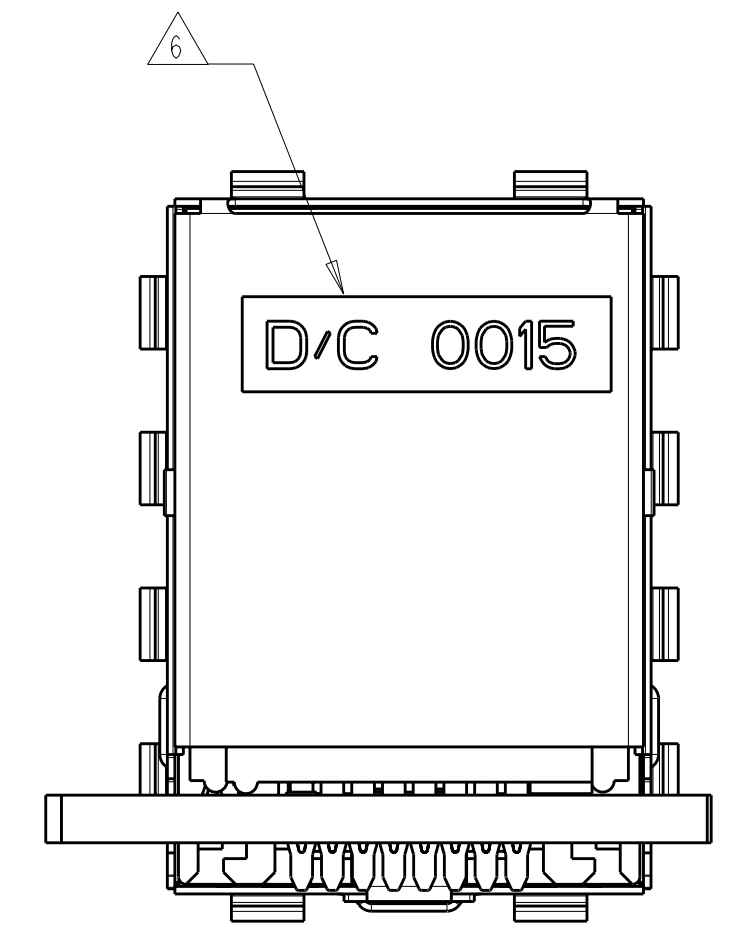
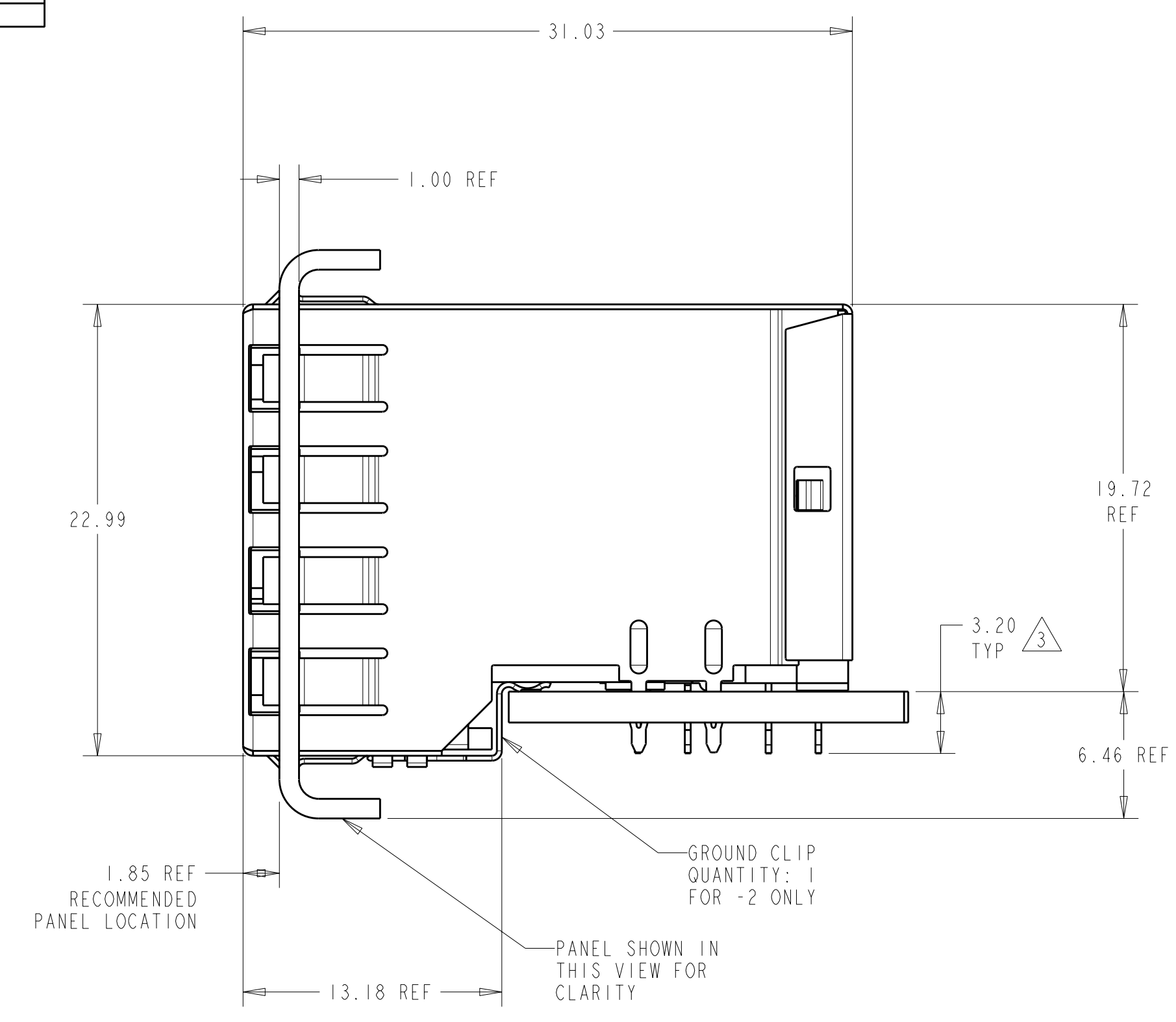
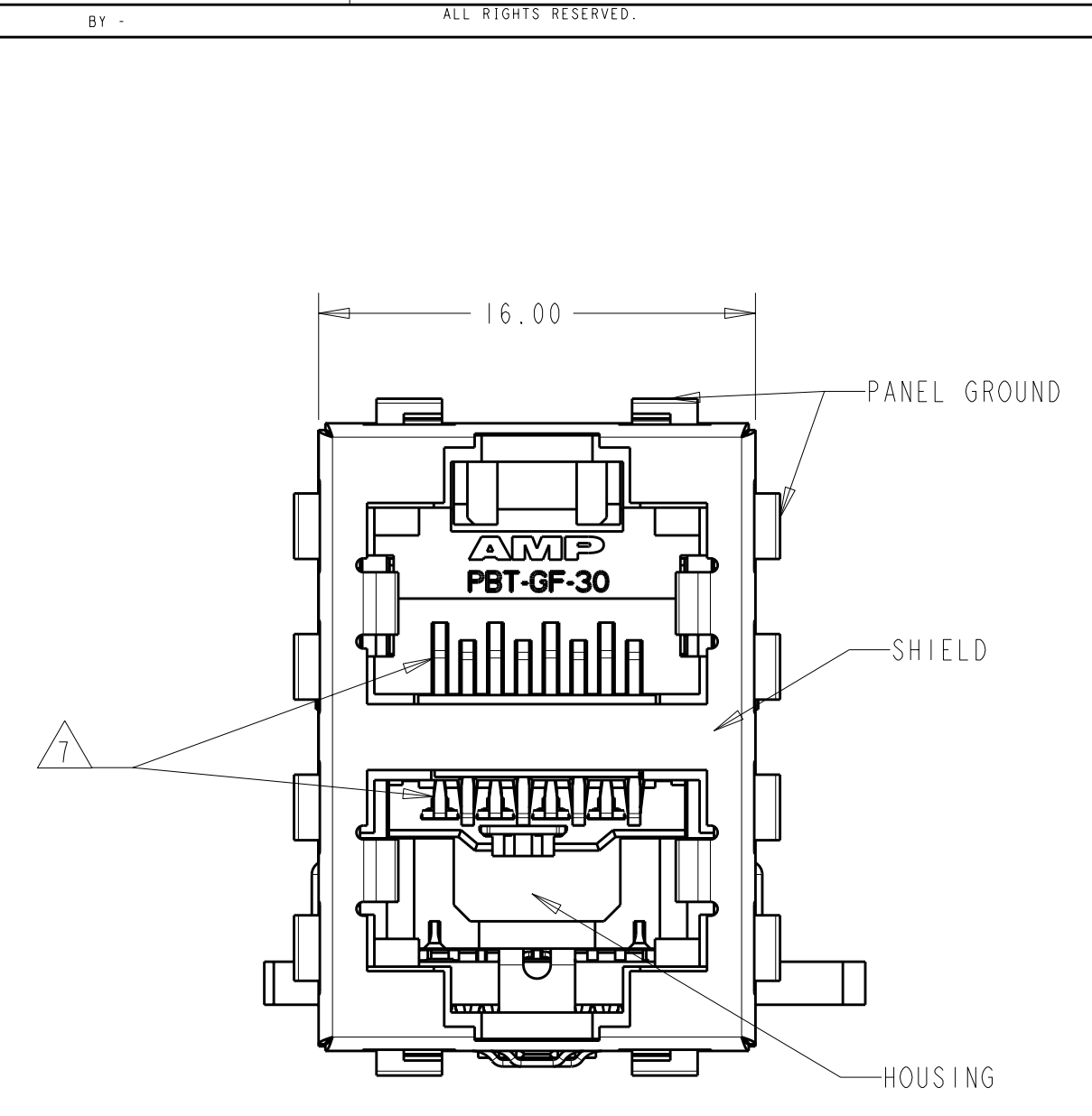
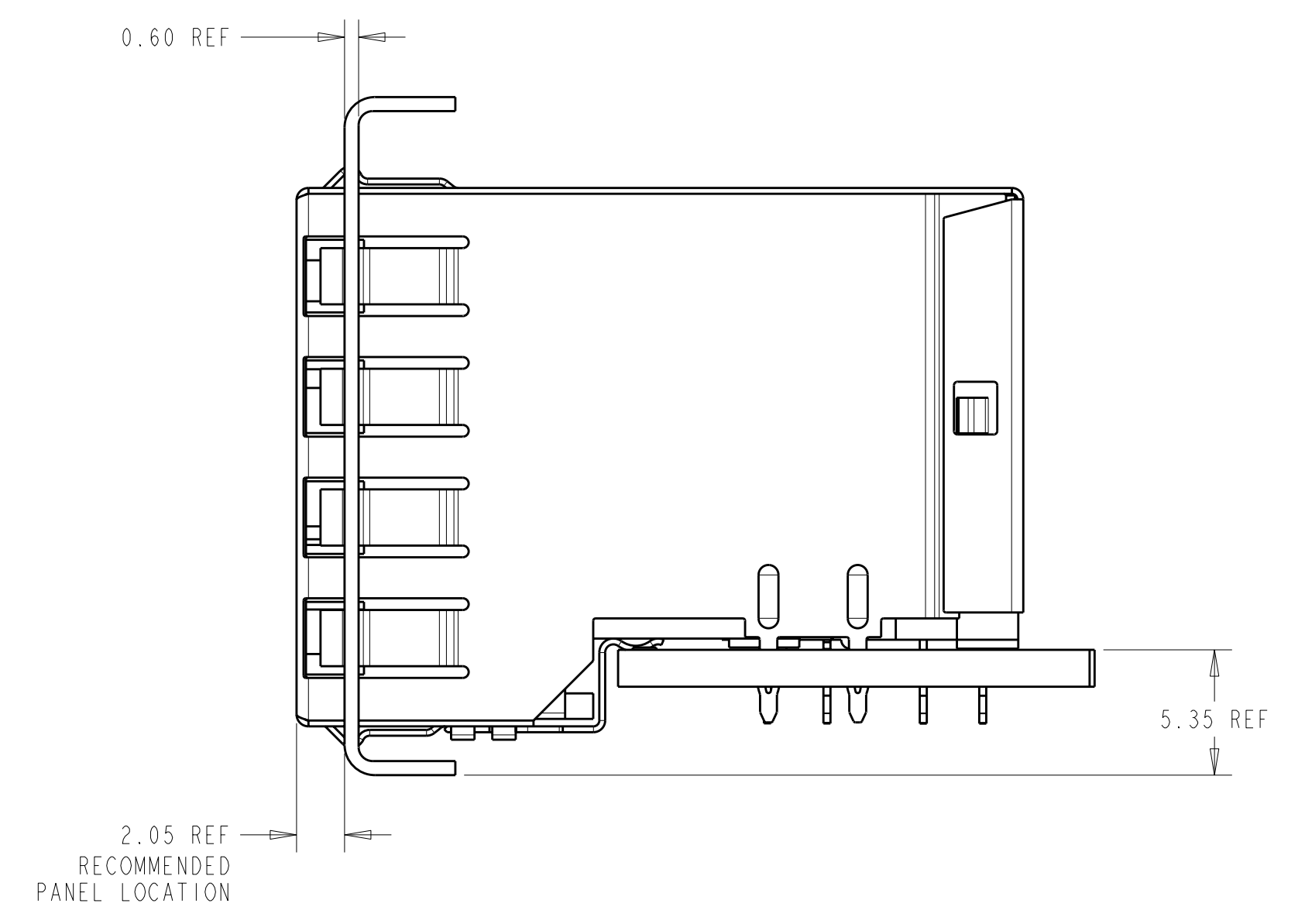


LOC	DIST	REV	DATE	BY	CHK	APP
AA	00	C2	18MAR2011	RK	HMR	



- MATERIAL: HOUSING: PBT POLYESTER, BLACK, UL 94V-0
TERMINALS: 0.33 THICK PHOSPHOR BRONZE PLATED WITH 1.27µm MINIMUM THICK HARD GOLD IN LOCALIZED AREA AND 3.81µm MINIMUM THICK TIN IN ACTION PIN COMPLIANT PIN TERMINAL AREA OVER 1.27µm MINIMUM THICK NICKEL UNDERPLATE
SHIELD: 0.25 THICK COPPER ALLOY PLATED WITH 2.03µm MINIMUM TIN OVER 1.27 µm MINIMUM NICKEL
GROUND CLIP: 0.25 THICK COPPER ALLOY PRE-PLATED WITH 2.03µm MINIMUM MATTE TIN OVER 1.27µm MINIMUM NICKEL
 - JACK CAVITY CONFORMS TO FCC RULES AND REGULATIONS, PART 68 SUBPART F.
- 3 MAXIMUM PIN LENGTH 3.40 FROM TOP SURFACE OF PC BOARD
 4 FINISH PLATED THRU HOLE DIAMETER ANNULAR RING DIAMETER 1.3 TO 1.5
 5 DATUMS AND BASIC DIMENSIONS ESTABLISHED BY CUSTOMER
 6 DATE CODE LOCATED ON REAR OF PART APPROXIMATELY AS SHOWN
 7 CONTACTS ARE NOT INTENDED TO BE ALIGNED WITH EACH OTHER

ATCA PANEL AND PRINTED CIRCUIT BOARD ASSEMBLY LAYOUT



AMC PANEL AND PRINTED CIRCUIT BOARD ASSEMBLY LAYOUT

M DIM	DESCRIPTION	PART NUMBER
15.88	WITH GROUND CLIP	1888652-2 (SHOWN)
16.13	WITHOUT GROUND CLIP	1888652-1

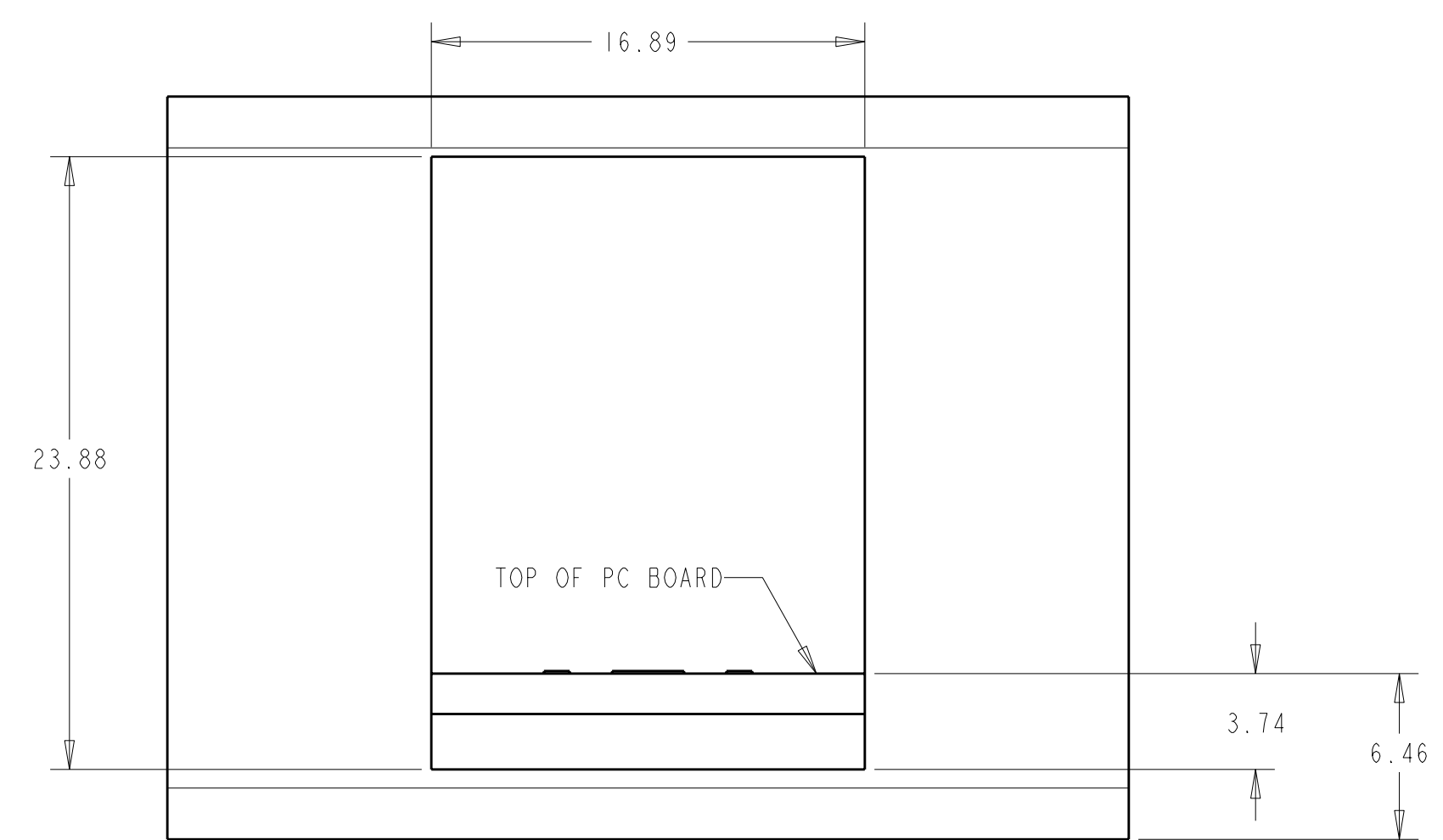
THIS DRAWING IS A CONTROLLED DOCUMENT.

DIMENSIONS: mm	TOLERANCES UNLESS OTHERWISE SPECIFIED:	DWN: L.A. MAYER 16OCT2006	CHK: J. WESTMAN 16OCT2006	APVD: S. FLICKINGER 16OCT2006	NAME: STACKED MOD JACK ASSEMBLY, 2 X 1, 2 POSN, RJ45, SHIELDED, PANEL GROUND, OFFSET, CAT 5
9 PLC ±	108-1854	PRODUCT SPEC	114-2160	SIZE: A1	CAGE CODE: 00779
3 PLC ±0.13	APPLICATION SPEC	WEIGHT	SCALE: 2:1	SHEET: 1	OF: 2
4 PLC ±	FINISH	CUSTOMER DRAWING	REV: C2		

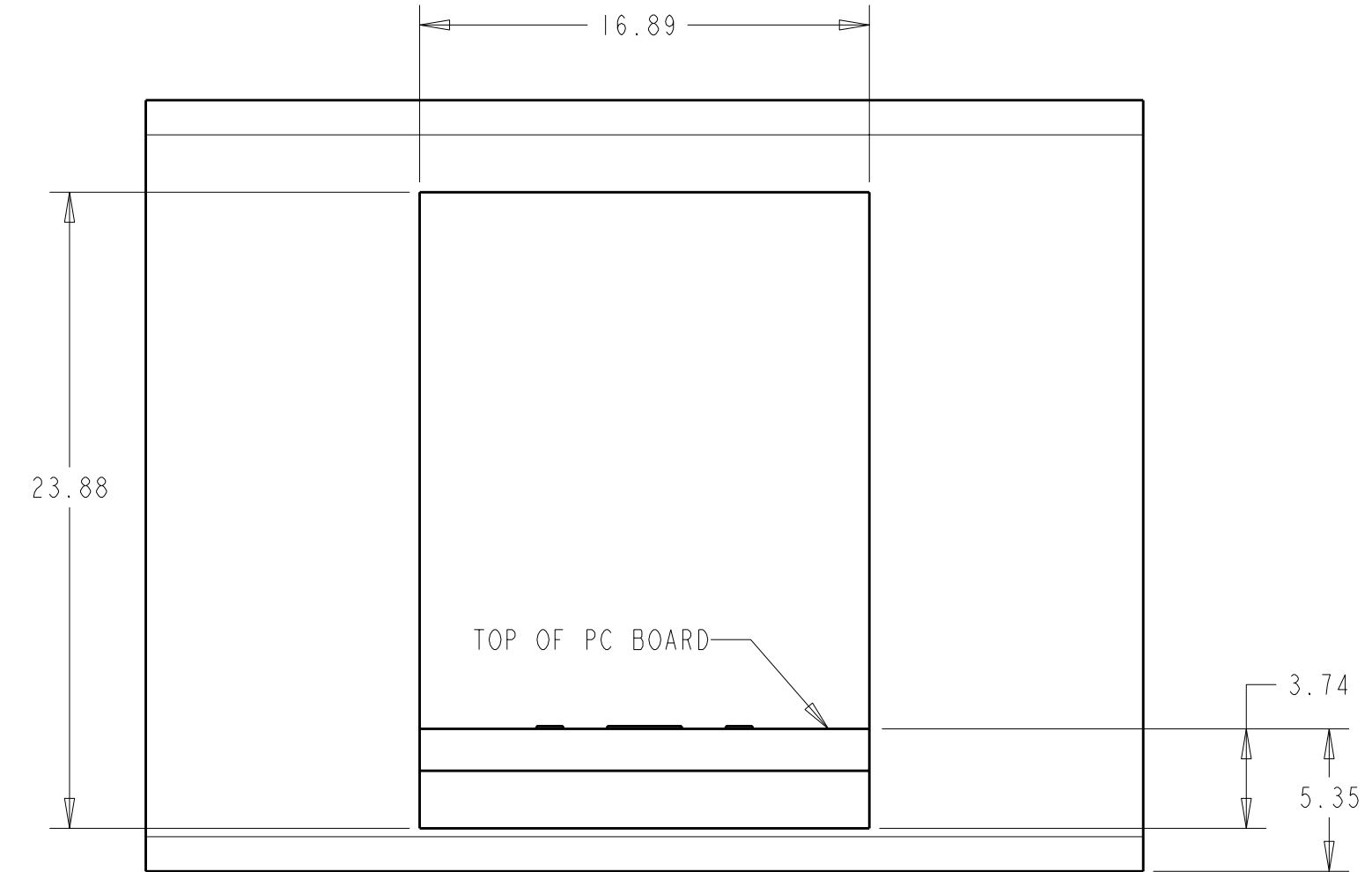
4805 (3/11) P:ENGINEER DRAWING

LOC	DIST	REV	DATE	BY	APPD
AA	00				

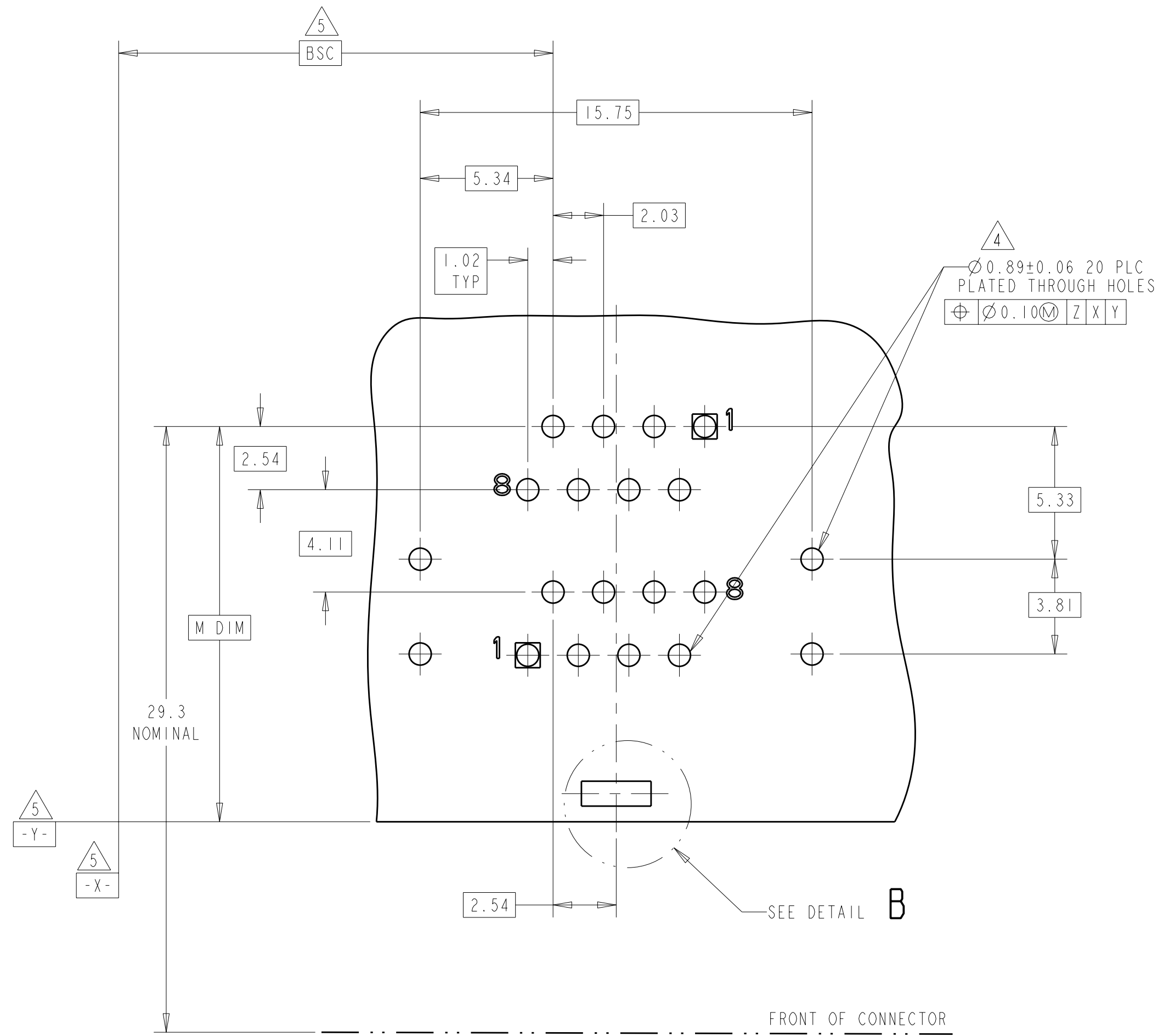
REVISIONS					
REV	DATE	DESCRIPTION	BY	APPD	REV
-	-	SEE SHEET 1	-	-	-



ATCA PANEL AND
PRINTED CIRCUIT BOARD LAYOUT

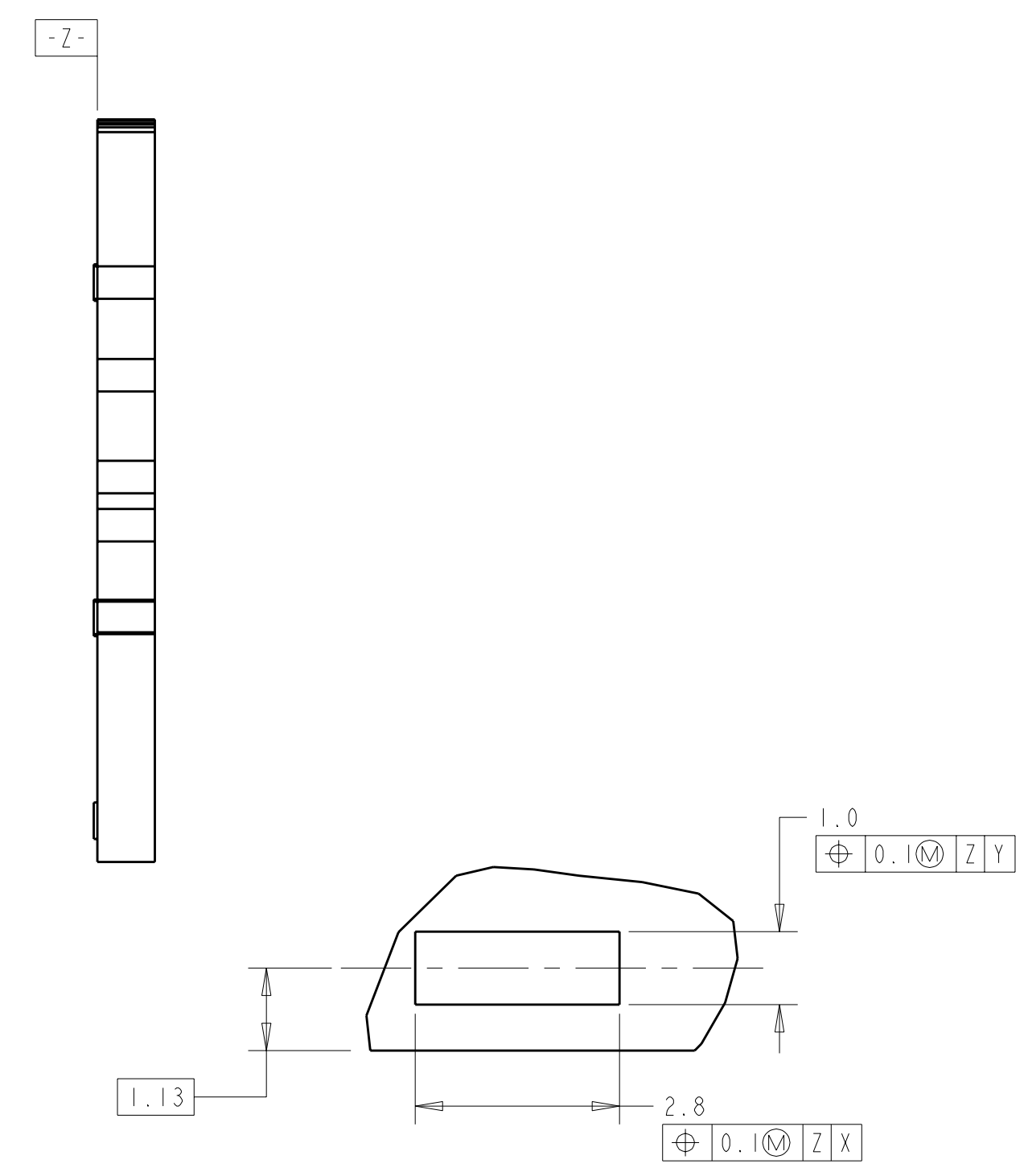


AMC PANEL AND
PRINTED CIRCUIT BOARD LAYOUT



SEE DETAIL B

FRONT OF CONNECTOR



DETAIL B
SCALE 12:1
PLATED PADS REQUIRED FOR
1888652-2 (PRODUCT WITH
GROUNDING CLIPS)

THIS DRAWING IS A CONTROLLED DOCUMENT.		DWN L. A. MAYER 16OCT2006	 TE Connectivity
DIMENSIONS: mm		CHK J. WESTMAN 16OCT2006	
		APVD S. FLICKINGER 16OCT2006	NAME STACKED MOD JACK ASSEMBLY, 2 X 1, 2 POSN, RJ45, SHIELDED, PANEL GROUND, OFFSET, CAT 5
TOLERANCES UNLESS OTHERWISE SPECIFIED:		PRODUCT SPEC 108-1854	SIZE A1
0 PLC ± 1 PLC ±0.13 2 PLC ± 3 PLC ± 4 PLC ± ANGLES ±1°		APPLICATION SPEC 114-2160	RESTRICTED TO
MATERIAL SEE NOTE 1		WEIGHT	SCALE 4:1 SHEET 2 OF 2 REV C2
		CUSTOMER DRAWING	

X-ON Electronics

Largest Supplier of Electrical and Electronic Components

Click to view similar products for [Modular Connectors / Ethernet Connectors](#) category:

Click to view products by [TE Connectivity](#) manufacturer:

Other Similar products are found below :

[8949-H88/06BLKA/SN](#) [74441-0010/BKN](#) [MP1010RX-1000](#) [MP44RX-1000](#) [PHJ-4P4C-1-V-4](#) [PHP-6P6C-5](#) [GAX-3-66](#) [GAX-8-62](#) [GDCX-PA-66-50](#) [GDCX-PN-64](#) [GDCX-PN-66](#) [GDCX-PN-66-50](#) [GDLX-A-66](#) [GDLX-N-66](#) [GDLX-S-66](#) [GDLX-S-88K](#) [GDLX-SMT-S-88](#) [GDTX-S-88-50](#) [GDX-PA-1010](#) [GLX-N-1010M-BLK](#) [GLX-S-88M-BLK](#) [GMX-N-1010](#) [GMX-S-1010](#) [GMX-S-66](#) [GMX-SMT4-N-88](#) [GPX-2-64](#) [GSGX-N-2-88](#) [GSGX-N-4-88](#) [GSX-NS2-88-3.05](#) [GSX-NS2-88-3.05-50](#) [GSX-NS-88-3.05-50](#) [PT-108A-8C-UL](#) [PT-J951-8C](#) [PTS-J531-8CS-50UL](#) [1-1775629-2](#) [A-2014-0-4](#) [GWLX-S-88-GR](#) [GWLX-S9-88-YG](#) [DC-1021-8-WH-6](#) [1300530003](#) [1324640-4](#) [RJ11FTVC2G](#) [RJ11FTVC2N](#) [RJFTVX2SA1G](#) [132764-001](#) [1413235](#) [MP88X-1000](#) [MPS88RX-5000](#) [E5288-S000K3-L](#) [E5908-15A242-L](#)