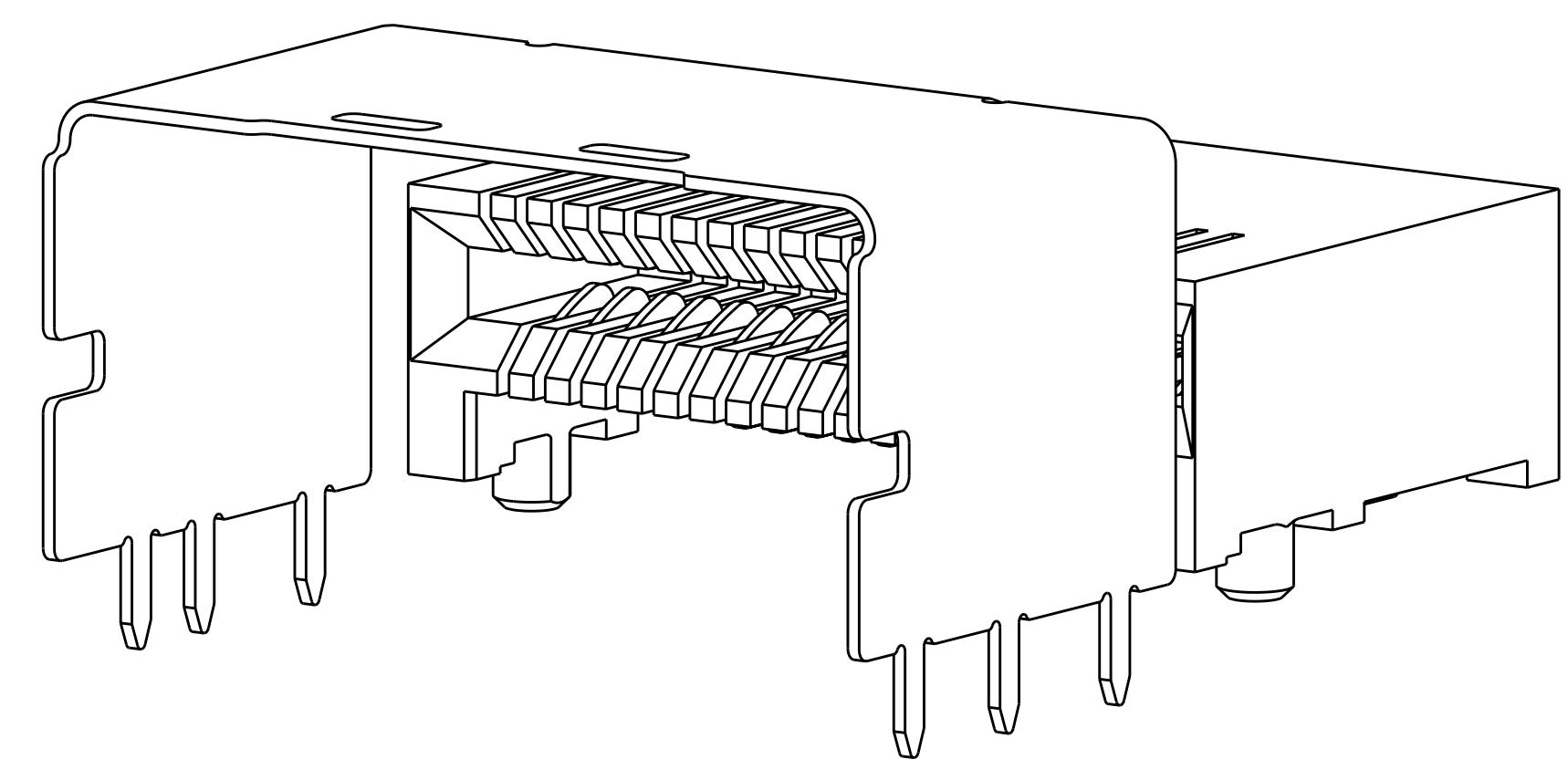
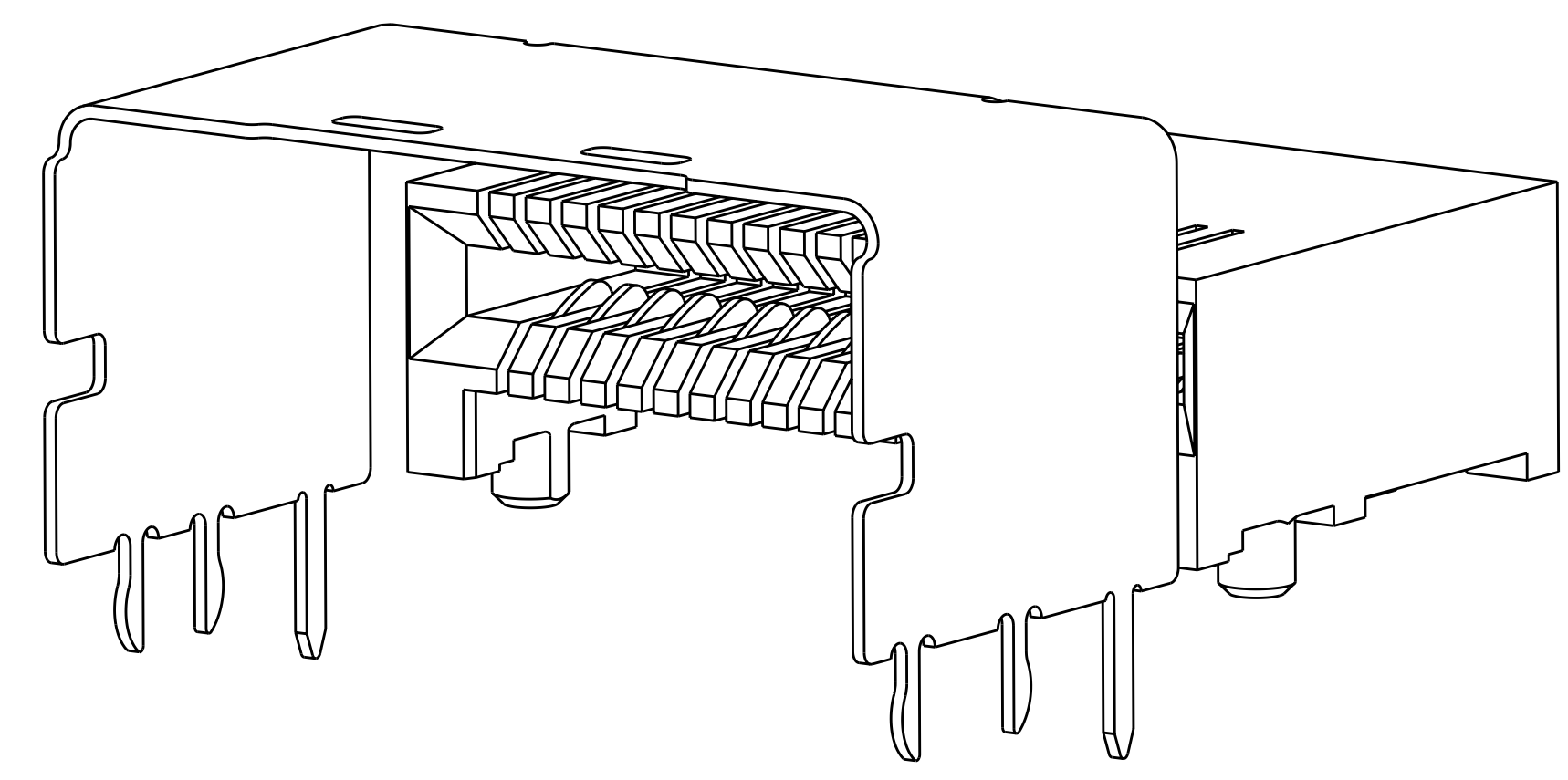


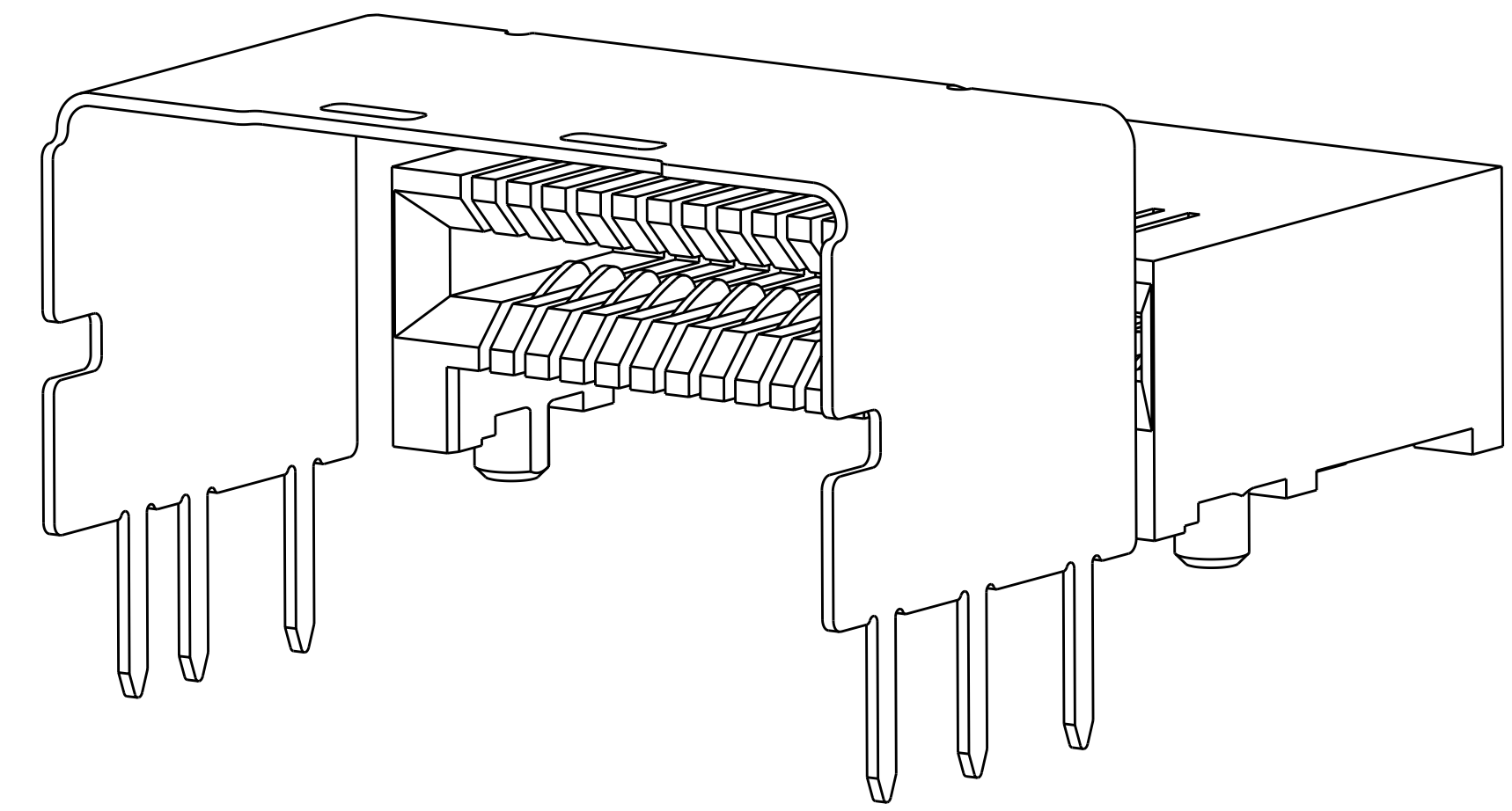
LOC	DIST	REVISIONS			
GP	00	REV	DATE	BY	APPD
		B1	08OCT2009	CR	DG
		B2	02AUG2010	JY	SY



1888861-2 AND 1888861-9
 SHOWN WITHOUT PICK AND PLACE DEVICE



1888861-4 AND 1-1888861-0
 SHOWN WITHOUT PICK AND PLACE DEVICE



1888861-8 AND 1-1888861-2
 SHOWN WITHOUT PICK AND PLACE DEVICE

△ MATERIAL: LCP, BLACK.

△ MATERIAL: PHOSPHOR BRONZE PER ASTM B 103.

△ FINISH: 0.76um MIN GOLD PLATE PER ASTM B 488, APPLIES TO INTERFACE AREA AND 2.03um MIN TIN PLATE SOLDER TAILS, ALL OVER 3.81um MIN NICKEL PLATE PER QQ-N-290.

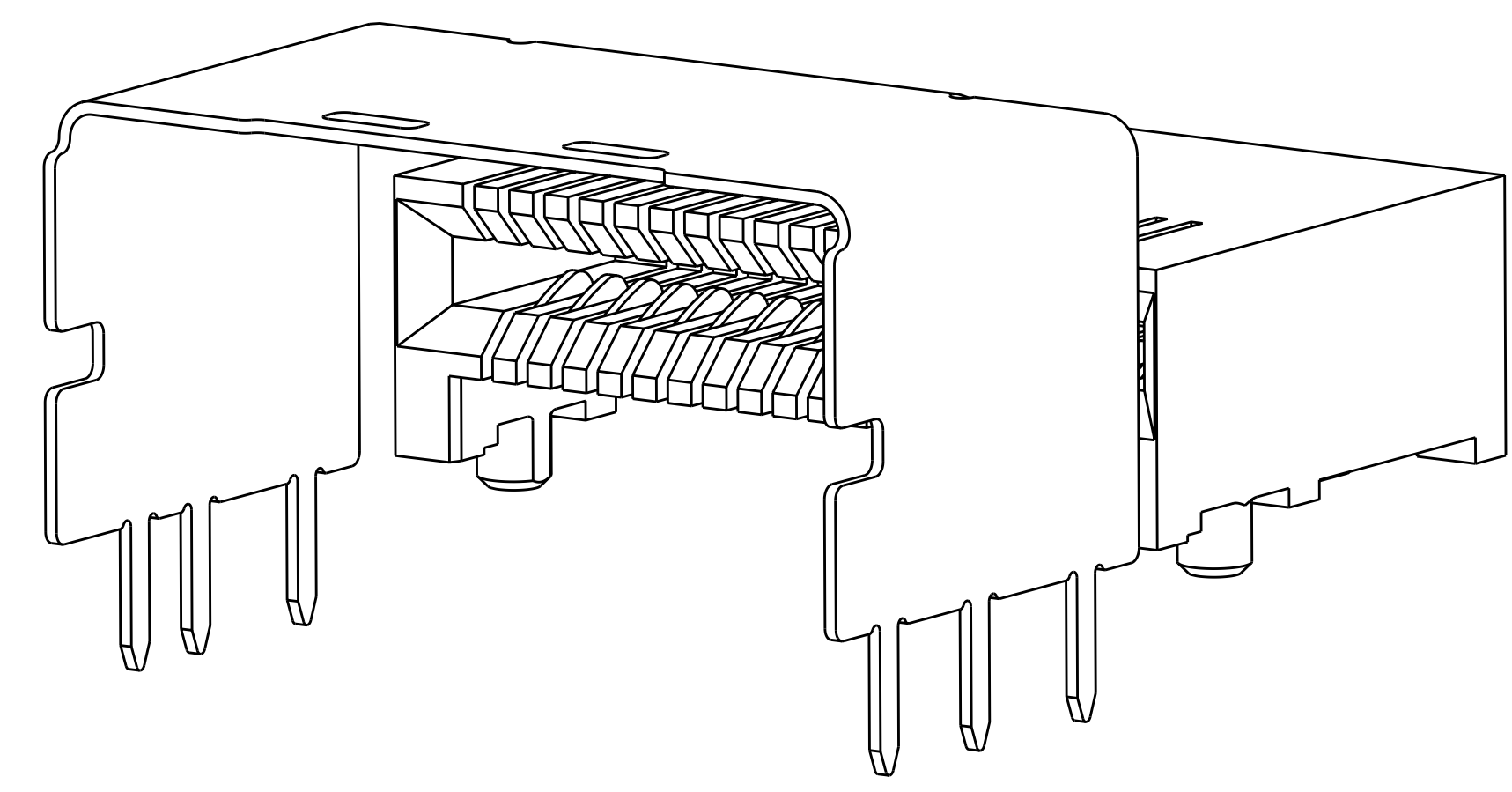
△ MATERIAL: NICKEL-SILVER PER ASTM B 122.

△ DATUM AND BASIC DIMENSION ESTABLISHED BY CUSTOMER.

6. REFER TO CUSTOMER DRAWING 1761987 FOR CONNECTOR DETAILS.

7. PACKAGED IN TAPE AND REEL PER EIA-481.

△ FINISH: 0.38um MIN GOLD PLATE PER ASTM B 488, APPLIES TO INTERFACE AREA AND 2.03um MIN TIN PLATE SOLDER TAILS, ALL OVER 3.81um MIN NICKEL PLATE PER QQ-N-290.

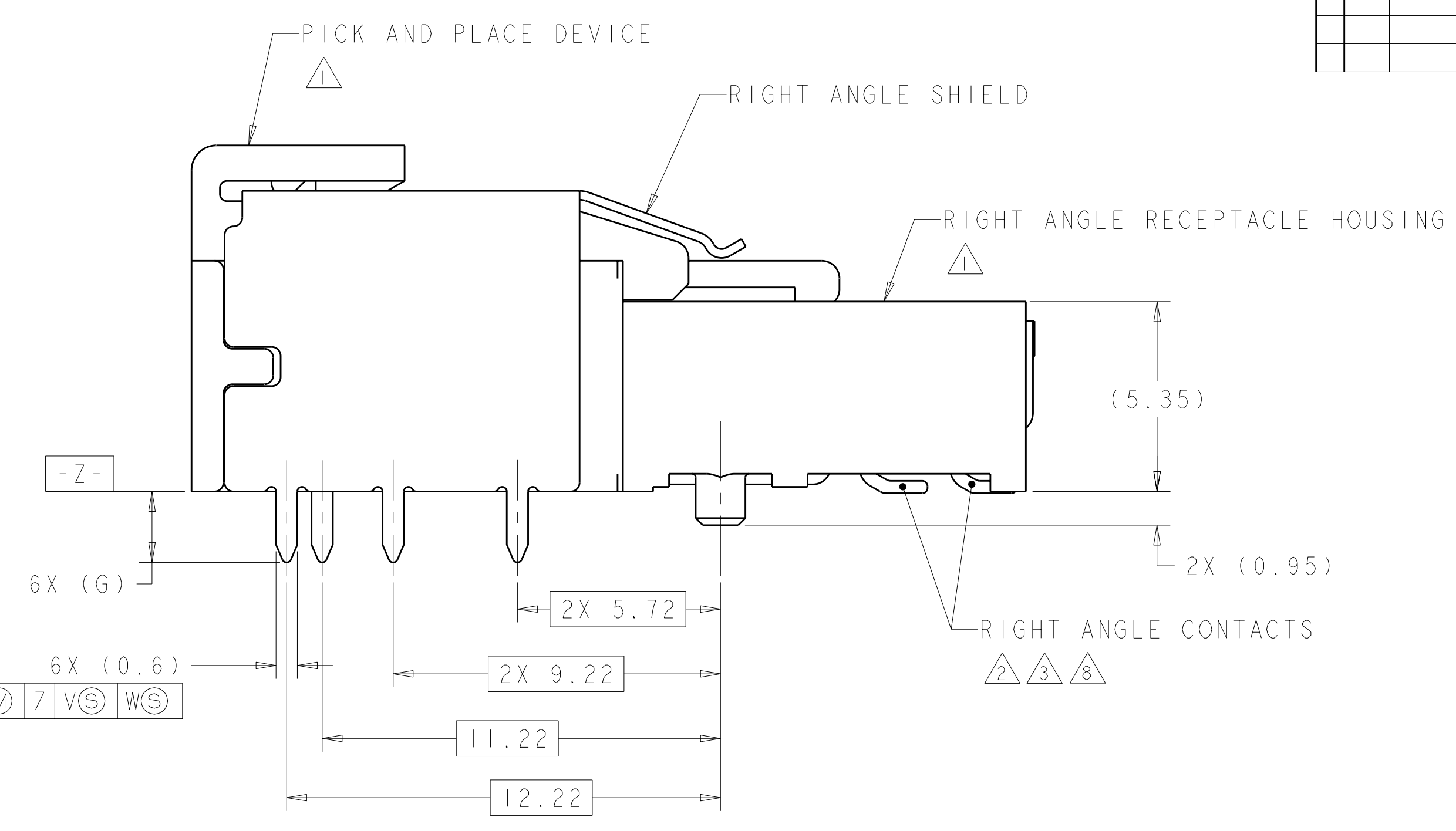
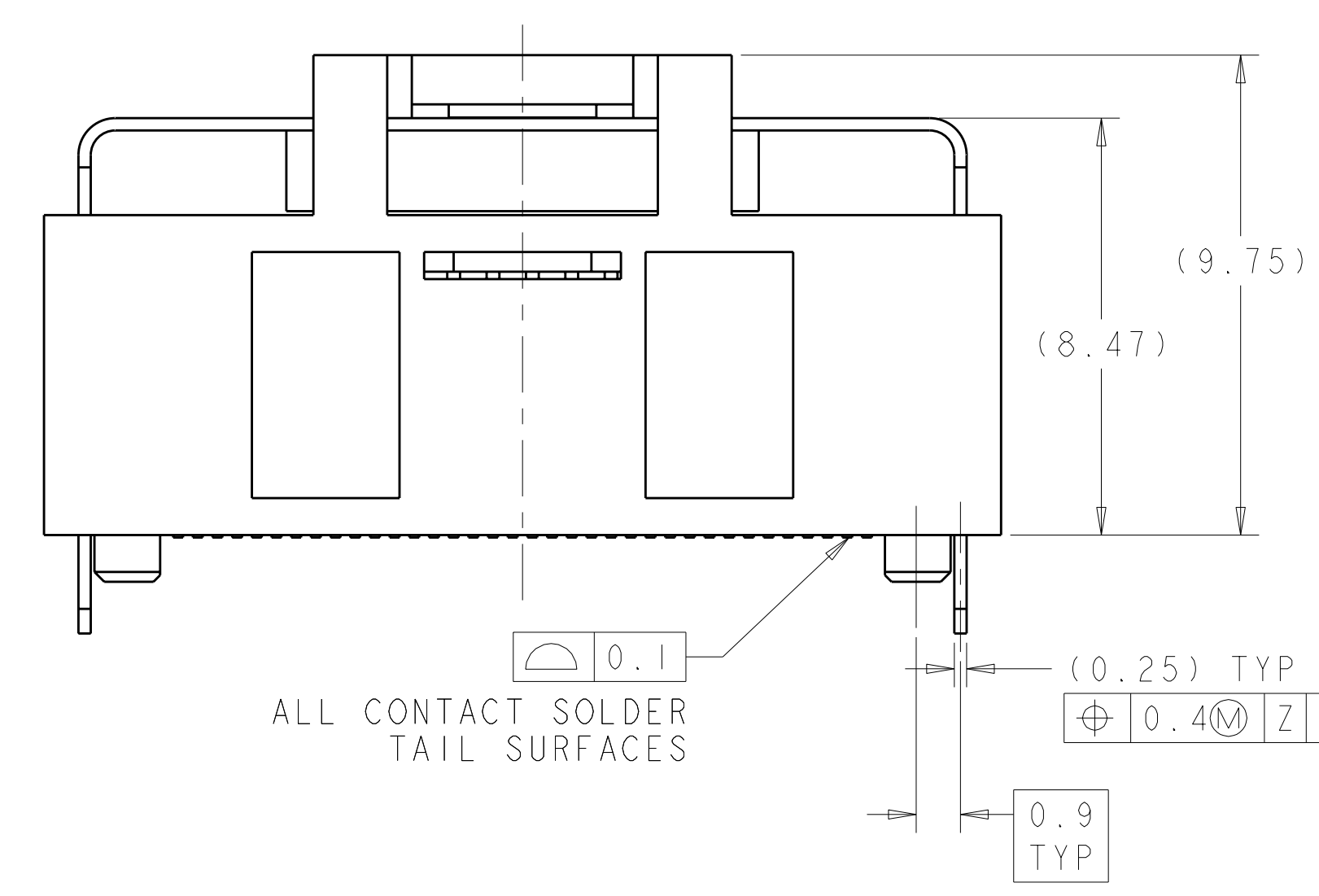


1888861-6 AND 1-1888861-1
 SHOWN WITHOUT PICK AND PLACE DEVICE

FINISH	REMARKS	G	E	D	C	B	A	POSN	PART NUMBER
△	THRU HOLE	3.5	17.8	16	16	36	18.05	36	1-1888861-2
	PRESS FIT	-	17.8	16	16	36	18.05	36	1-1888861-0
	THRU HOLE	2	17.8	16	16	36	18.05	36	1888861-9
△	THRU HOLE	3.5	17.8	16	16	36	18.05	36	1888861-8
	PRESS FIT	-	17.8	16	16	36	18.05	36	1888861-4
	THRU HOLE	2	17.8	16	16	36	18.05	36	1888861-2

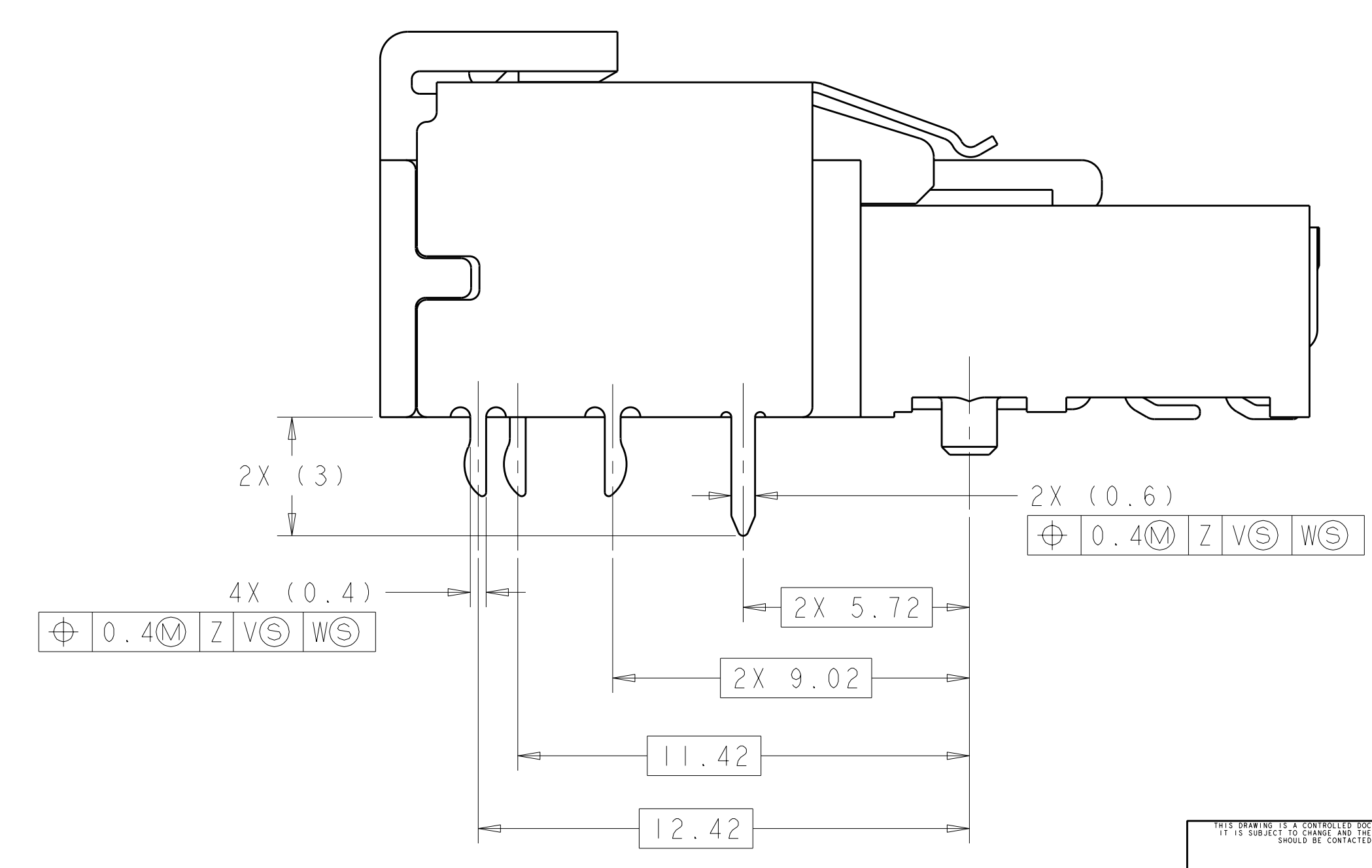
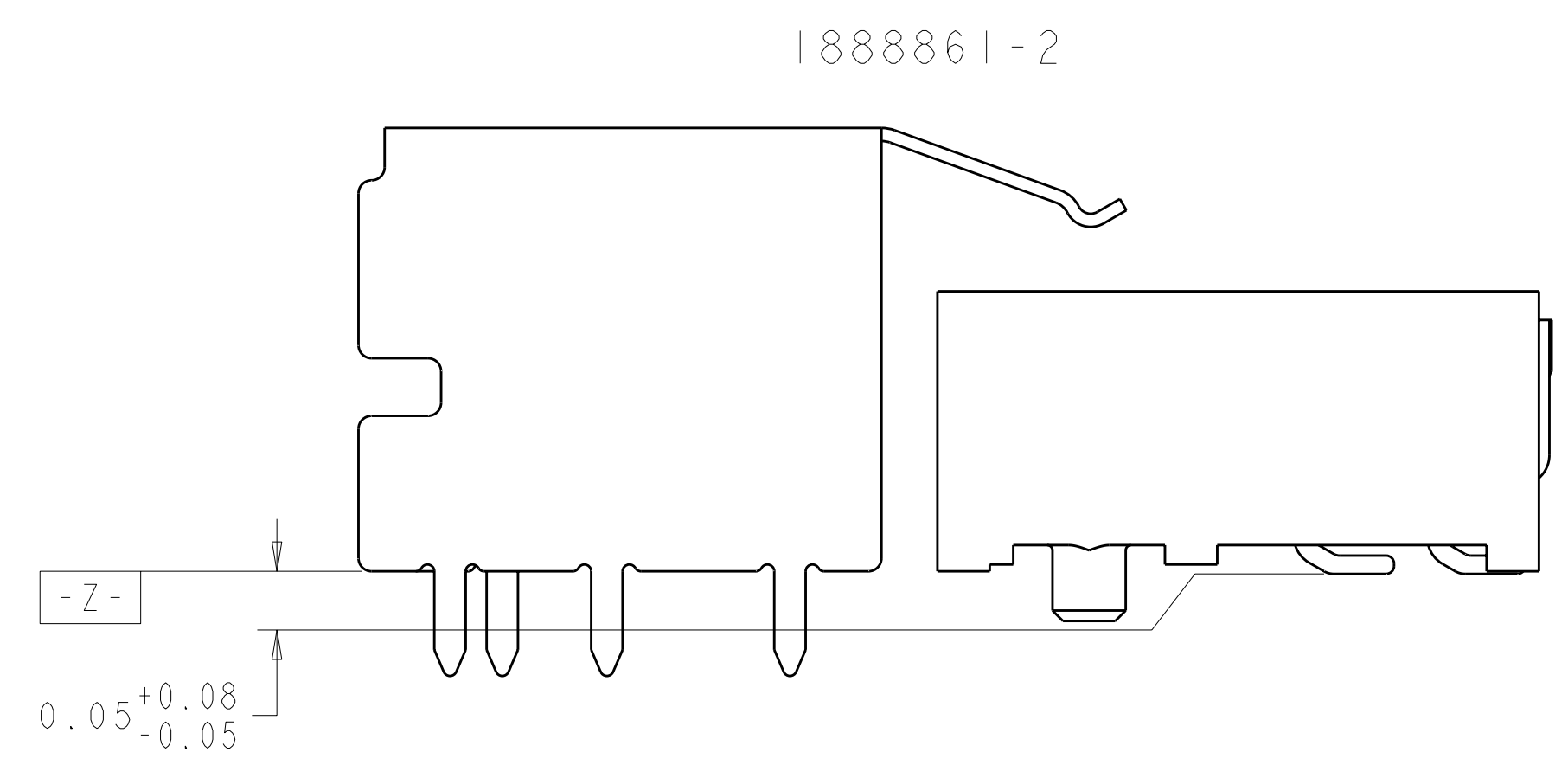
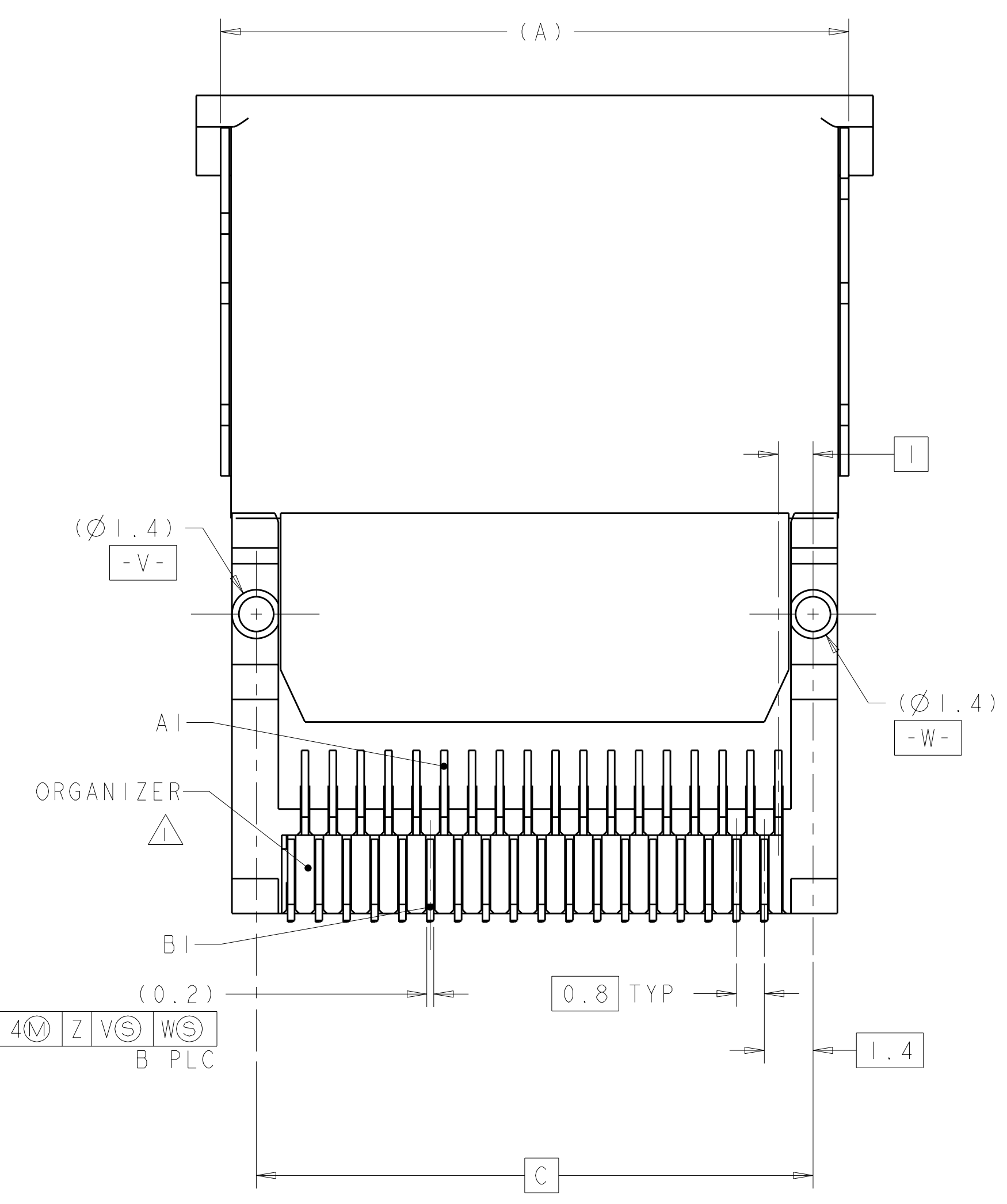
DIMENSIONS: mm 		TOLERANCES UNLESS OTHERWISE SPECIFIED: 9 PLC ± 1 PLC ± 5 PLC ± 4 PLC ± ANGLES ± FINISH ±		DWN B. MCMASTER 21FEB07 CHK D. GORENC 21FEB07 APVD D. GORENC 21FEB07		Tyco Electronics Harrisburg, PA 17105-3608	
MATERIAL SEE NOTES		FINISH SEE TABLE		NAME EVERCLEAR Mini-SAS RIGHT ANGLE, INTERNAL RECEPTACLE ASSEMBLY, WITH UNKEYED SHELL		SIZE CAGE CODE DRAWING NO. RESTRICTED TO A100779C=1888861	
CUSTOMER DRAWING				WEIGHT -		SCALE 8:1 SHEET 1 OF 3 REV B2	

LOC	DIST	REVISIONS					
GP	00	P	LTG	DESCRIPTION	DATE	DWN	APVD
		-	-	SEE SHEET 1	-	-	-



6X (0.6)

⊕ 0.4M Z V S W S



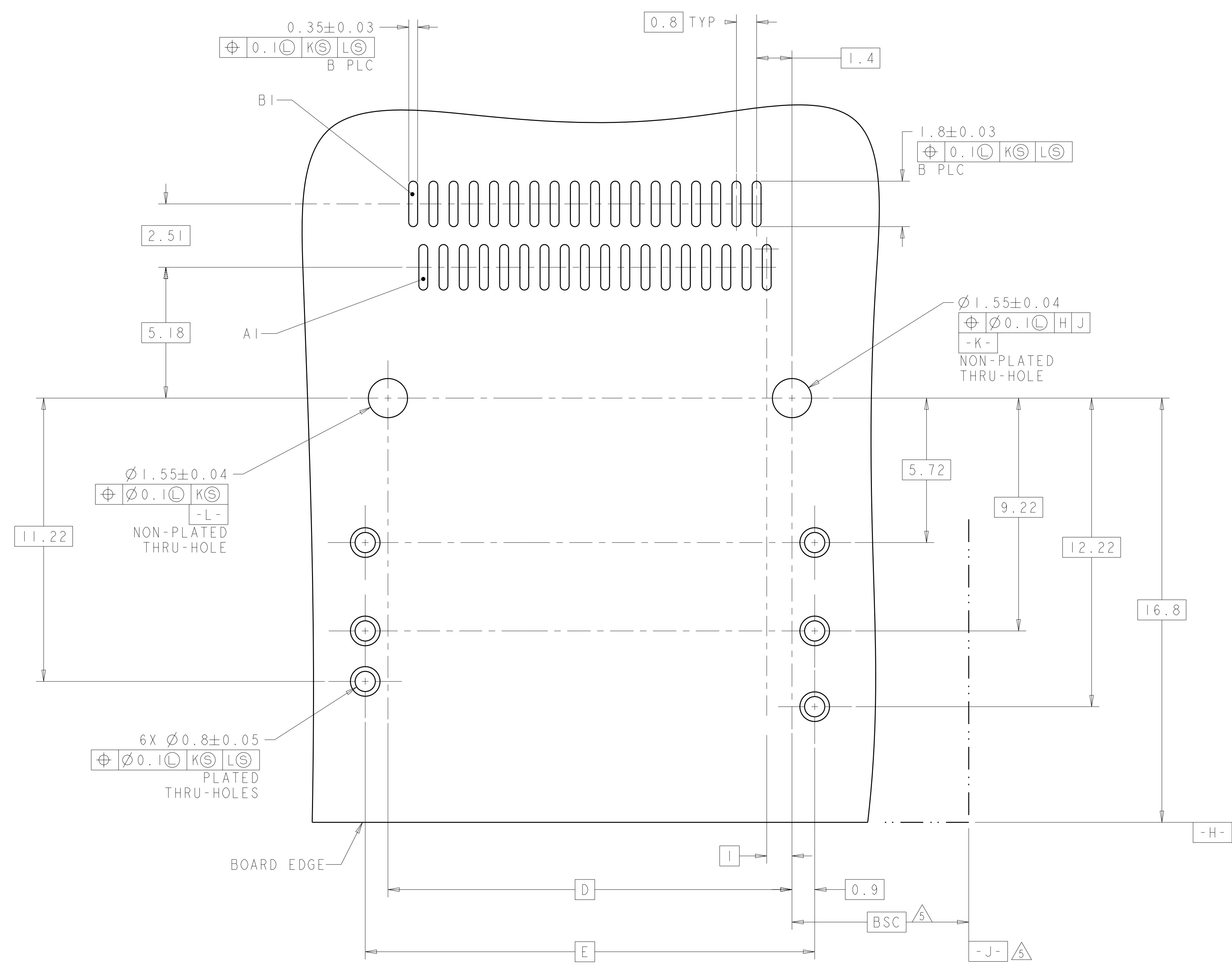
4X (0.4)

⊕ 0.4M Z V S W S

1888861-4
 SAME AS 1888861-2 EXPECT AS SHOWN

DIMENSIONS: mm 		TOLERANCES UNLESS OTHERWISE SPECIFIED: 9 PLC ± 5 PLC ± 4 PLC ± ANGLES ±		DWN B. MCMASTER 21FEB07 CHK D. GORENC 21FEB07 APVD D. GORENC 21FEB07		Tyco Electronics Harrisburg, PA 17105-3608	
MATERIAL: SEE NOTES FINISH: SEE TABLE		PRODUCT SPEC: 108-2234 APPLICATION SPEC:		NAME: EVERCLEAR Mini-SAS RIGHT ANGLE, INTERNAL RECEPTACLE ASSEMBLY, WITH UNKEYED SHELL		SIZE: CAGE CODE DRAWING NO: A100779C=1888861 RESTRICTED TO:	
CUSTOMER DRAWING		WEIGHT:		SCALE: 5:1		SHEET 2 OF 3 REV B2	

LOC	DIST	REVISIONS			
GP	00	REV	DATE	DWN	APVD
		1	SEE SHEET 1	-	-



RECOMMENDED PCB LAYOUT
 SCALE 10:1

<small>THIS DRAWING IS UNPUBLISHED. RELEASED FOR PUBLICATION 20. THIS IS SUBJECT TO CHANGE WITHOUT NOTICE AND WITHOUT LIABILITY. TOLERANCES UNLESS OTHERWISE SPECIFIED:</small>		DWN B. MCMASTER 21FEB07 CHK D. GORENC 21FEB07 APVD D. GORENC 21FEB07	Tyco Electronics Harrisburg, PA 17105-3608
DIMENSIONS: mm 	TOLERANCES UNLESS OTHERWISE SPECIFIED: 9 PLC ± 8 PLC ± 5 PLC ± 4 PLC ± ANGLES ±	NAME EVERCLEAR Mini-SAS RIGHT ANGLE, INTERNAL RECEPTACLE ASSEMBLY, WITH UNKEYED SHELL PRODUCT SPEC 108-2234 APPLICATION SPEC	SIZE CAGE CODE DRAWING NO. RESTRICTED TO A 100779 C-1888861
MATERIAL SEE NOTES	FINISH SEE TABLE	WEIGHT -	CUSTOMER DRAWING
AMP 4805 REV 31MAR2000		SCALE 5:1	SHEET 3 OF 3 REV B2

X-ON Electronics

Largest Supplier of Electrical and Electronic Components

Click to view similar products for [I/O Connectors](#) category:

Click to view products by [TE Connectivity](#) manufacturer:

Other Similar products are found below :

[571763P](#) [58098-0628](#) [72.250.1628.2](#) [72.250.2428.2](#) [74720-0505](#) [76.350.0729.0](#) [76871-1403](#) [FCN-244F080-G/1](#) [FCN-260A9920](#) [PCR-E36PM](#) [PCS-XE26MA+](#) [G38A71314B](#) [1571250010](#) [157-22500-3](#) [MS3471L14-19P L/C](#) [172501-4002](#) [172501-6002](#) [FCN-260C008-A/L0](#) [FCN-260C024-AL0](#) [FCN-261Z008](#) [2000314-1](#) [200331-1](#) [PCR-E36FC+](#) [PCS-E28FS+](#) [PCS-XE26SLFD+](#) [PCS-XE26SLFDT+](#) [G730VID08BDC24](#) [U90B2054081210](#) [38113800006](#) [DP3AR020WQ1R200](#) [Z4.102.0680.0](#) [500-1040](#) [500-1052](#) [500-1054](#) [ZP-4008-66L](#) [0709821002](#) [DX40-20P\(55\)](#) [5554841-1](#) [MS3474W18-8P-LC*](#) [U90B3054061110](#) [U65-E04-4020](#) [ZPF000000000097891](#) [747360449](#) [10099439-003C-TRLF](#) [10137239-0021LF](#) [E9320-001-01](#) [10137239-0011LF](#) [70289-001LF](#) [70.060.1028.0](#) [109029-ZZ](#)