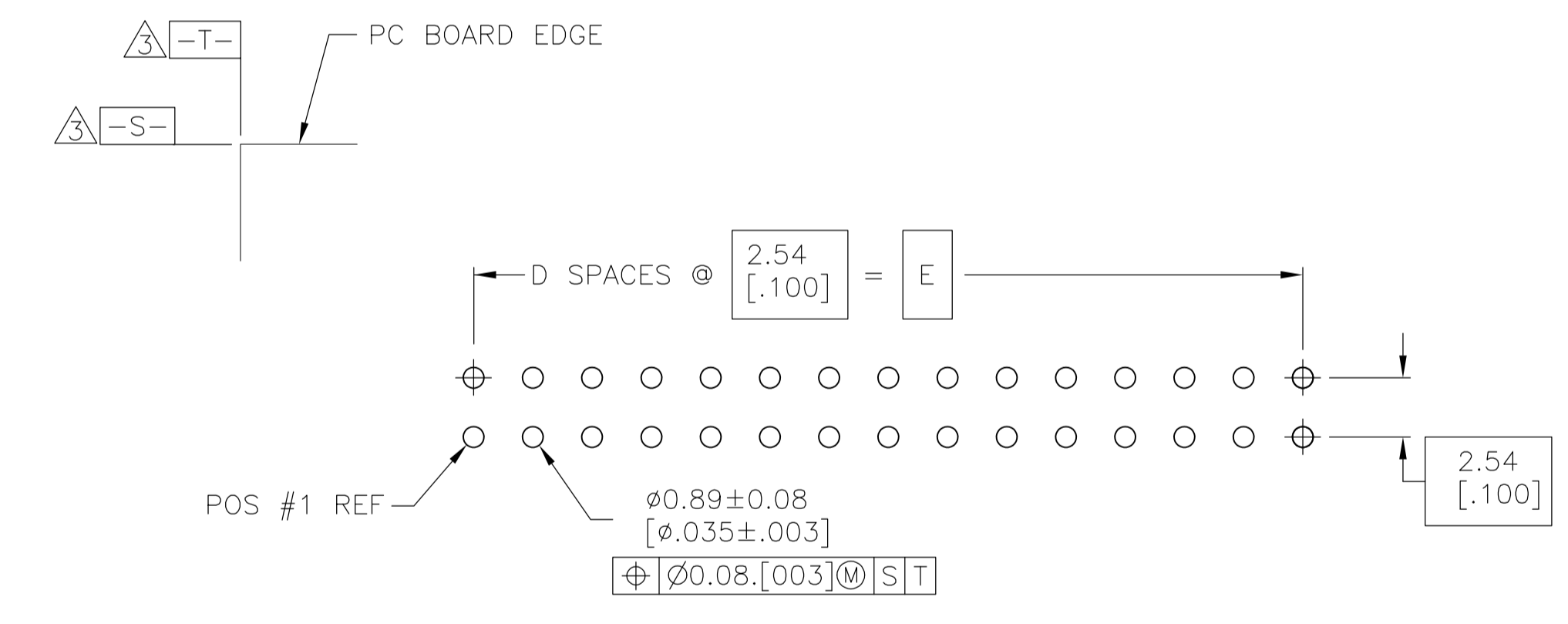
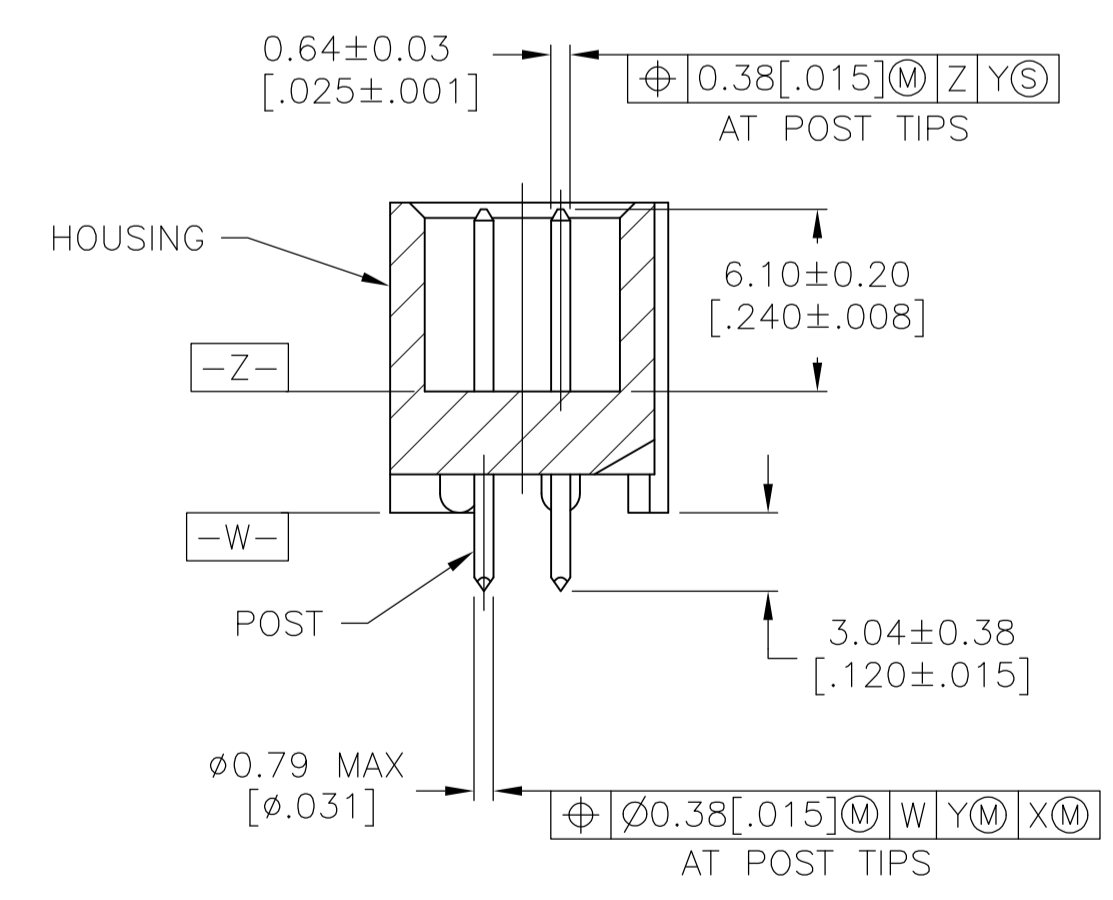
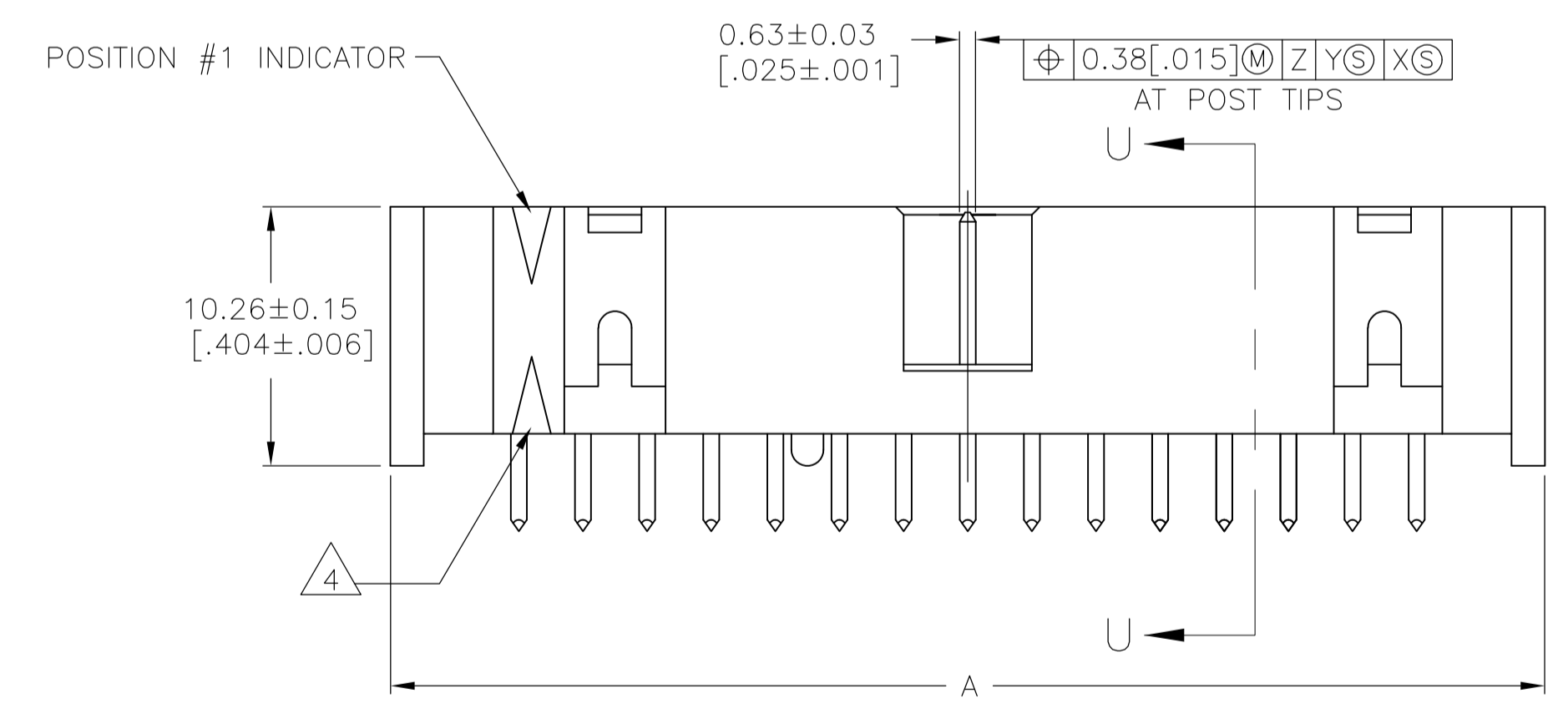
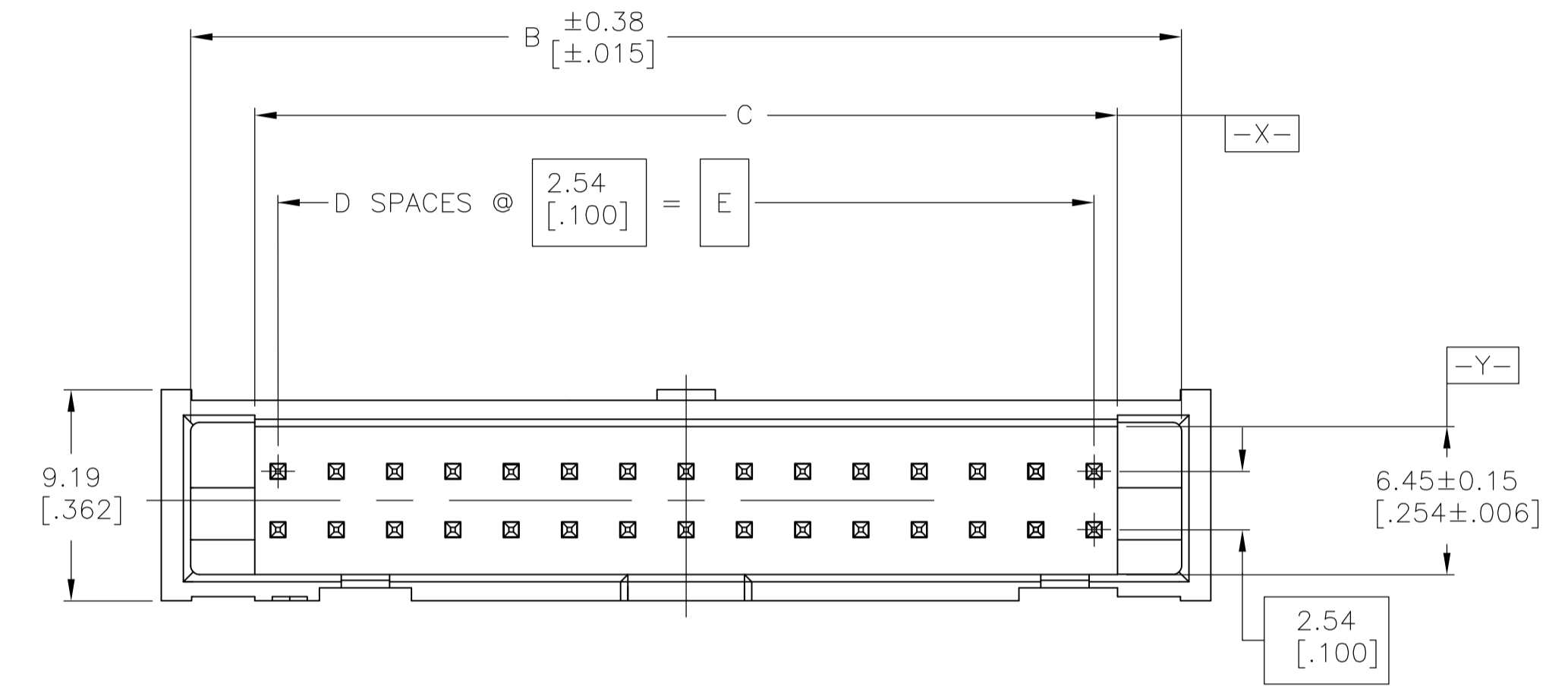


- ① HOUSING: PCT, UL94V-0, COLOR: BLACK.
POSTS: PHOSPHOR BRONZE.
- ② GOLD FLASH OVER
PALLADIUM-NICKEL PLATE, 0.00076 [0.00030] MIN TOTAL ON MATING AREA,
0.00254 [0.00100] MIN TIN PLATE ON SOLDER END, ALL OVER
0.00127 [0.00050] MIN NICKEL UNDERPLATE ON ENTIRE POST.
OR
0.00076 [0.00030] MIN GOLD PLATE ON MATING AREA,
0.00254 [0.00100] MIN TIN PLATE ON SOLDER END, ALL OVER
0.00127 [0.00050] MIN NICKEL UNDERPLATE ON ENTIRE POST.
- ③ DATUMS S & T TO BE ESTABLISHED BY CUSTOMER.
- ④ ALTERNATE LOCATION/ORIENTATION FOR POSITION #1 INDICATOR.



SECTION U-U

35.56 [1.400]	14	37.59 [1.480]	43.08 [1.696]	45.72 [1.800]	30	1888870-1
E	D	C	B	A	NO OF POS	PART NUMBER

THIS DRAWING IS A CONTROLLED DOCUMENT.		DIN B MCMASTER 30JAN07	Tyco Electronics Corporation Harrisburg, PA 17105-3608	
DIMENSIONS: mm [INCHES]	TOLERANCES UNLESS OTHERWISE SPECIFIED:	0 PLC ± -	1 PLC ± -	2 PLC ± -
		3 PLC ± 0.13[.005]	4 PLC ± -	ANGLES ± -
		Tyco Electronics Tyco Electronics Corporation Harrisburg, PA 17105-3608 NAME: HEADER ASSEMBLY, VERTICAL, LOW PROFILE, IDC		
		SIZE: A1	CAGE CODE: 00779	DRAWING NO: 1888870
		CUSTOMER DRAWING		
		SCALE: 4:1	SHEET: 1 OF 1	REV: C

X-ON Electronics

Largest Supplier of Electrical and Electronic Components

Click to view similar products for [Headers & Wire Housings](#) category:

Click to view products by [TE Connectivity](#) manufacturer:

Other Similar products are found below :

[892-18-020-10-001101](#) [58102-G61-06LF](#) [582553-1](#) [0009485154](#) [009176003701906](#) [0050291907](#) [LY20-4P-DT1-P1E-BR](#) [02.125.8002.8](#)
[609-3404](#) [61062-3](#) [61082-181009](#) [622-3653LF](#) [63453-116](#) [636-1030](#) [636-1427](#) [636-3427](#) [636-4007](#) [641938-9](#) [641991-4](#) [644827-2](#) [65817-010LF](#) [65817-015LF](#) [65863-015LF](#) [66207-023LF](#) [67095-007LF](#) [67601157](#) [68645-018](#) [68648-049](#) [70.362.1628.0](#) [70-4210](#) [70-4226B](#) [70-4853B](#) [707-5020](#) [707-5028](#) [71.350.2428.0](#) [71918-208LF](#) [71961-016LF](#) [733-134](#) [733-162](#) [754199-000](#) [760-3052](#) [787-8014-00](#) [79531-3000](#)
[FCN-360C032-B](#) [FCN-367T-T012/H](#) [FCN-723D010/2](#) [80.063.4001.1](#) [800-90-001-10-001000](#) [800-90-010-10-002000](#) [801-43-002-10-013000](#)