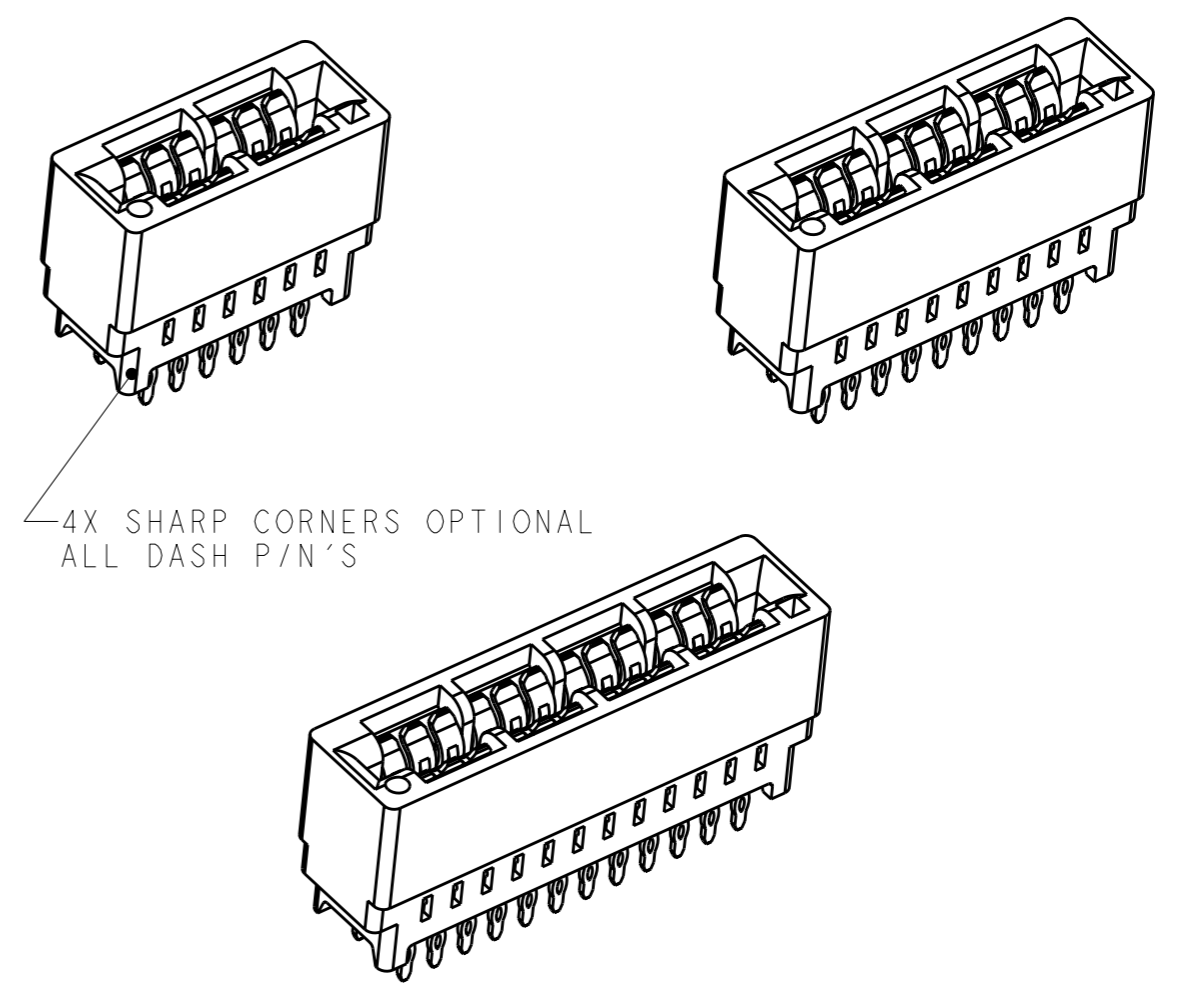


THIS DRAWING IS UNPUBLISHED. RELEASED FOR PUBLICATION 20
 © COPYRIGHT 20 BY TYCO ELECTRONICS CORPORATION. ALL RIGHTS RESERVED.

LOC	DIST	REVISIONS				
P	LTR	DESCRIPTION	DATE	DWN	APVD	
GP	00					
	D	REV PER ECO-08-005754	18MAR2008	RG	AF	
	E	REV PER ECO-08-018161	06AUG2008	RG	AF	
	F	REV PER ECO-09-007931	04MAY2009	RG	EH	

- HOUSING: GLASS FILLED POLYESTER, BLACK
CONTACT: HIGH CONDUCTIVITY COPPER ALLOY.
- NICKEL PLATE .00127 (.000050) MIN - ALL OVER
MATTE TIN PLATE .00254 (.000100) MIN - SOLDER POSTS.
GOLD PLATE .00038 [.000015] - IN MATING AREA.
- PART NUMBER AND DATE CODE MARKED IN APPROXIMATE AREA AS SHOWN, EITHER SIDE.
- SEE TYCO ELECTRONICS APPLICATION SPEC. 114-13018 FOR PCB DETAILS.



11	32.56 [1.282]	22.86 [0.900]	24	3	34.29 [1.350]	27.94 [1.100]	33.02 [1.300]	37.08 [1.460]	4	1888946-3
8	24.94 [0.982]	15.24 [0.600]	18	2	26.67 [1.050]	20.32 [0.800]	25.40 [1.000]	29.46 [1.160]	3	1888946-2
5	17.32 [0.682]	7.62 [0.300]	12	1	19.05 [0.750]	12.70 [0.500]	17.78 [0.700]	21.84 [0.860]	2	1888946-1
"J"	DIM "H"	DIM "G"	"F"	"E"	DIM "D" ±0.25 [±0.009]	DIM "C"	DIM "B" ±0.25 [±0.009]	DIM "A"	NUMBER OF POSITIONS	PART NUMBER

THIS DRAWING IS A CONTROLLED DOCUMENT FOR TYCO ELECTRONICS CORPORATION
IT IS SUBJECT TO CHANGE AND THE CONTROLLING ENGINEERING ORGANIZATION
SHOULD BE CONTACTED FOR THE LATEST REVISION.

DIMENSIONS: mm [INCHES]	TOLERANCES UNLESS OTHERWISE SPECIFIED:	DWN G. PETERS 13FEB2007	Tyco Electronics Harrisburg, PA 17105-3608
	0 PLC ±- 1 PLC ±- 2 PLC ±.013 [0.005] 3 PLC ±- 4 PLC ±- ANGLES ±2	CHK A. FRANTUM 13FEB2007	
		APVD S. FLICKINGER 13FEB2007	
		PRODUCT SPEC 108-2202	
MATERIAL NOTE 1	FINISH NOTE 2	APPLICATION SPEC 114-13018	NAME CONNECTOR ASSEMBLY, SEC 11 POWER, DUAL POSITION
		WEIGHT -	SIZE A3
		CUSTOMER DRAWING	CAGE CODE 00779
			DRAWING NO 1888946
			RESTRICTED TO -
			SCALE :
			SHEET 1
			OF 3
			REV F

4

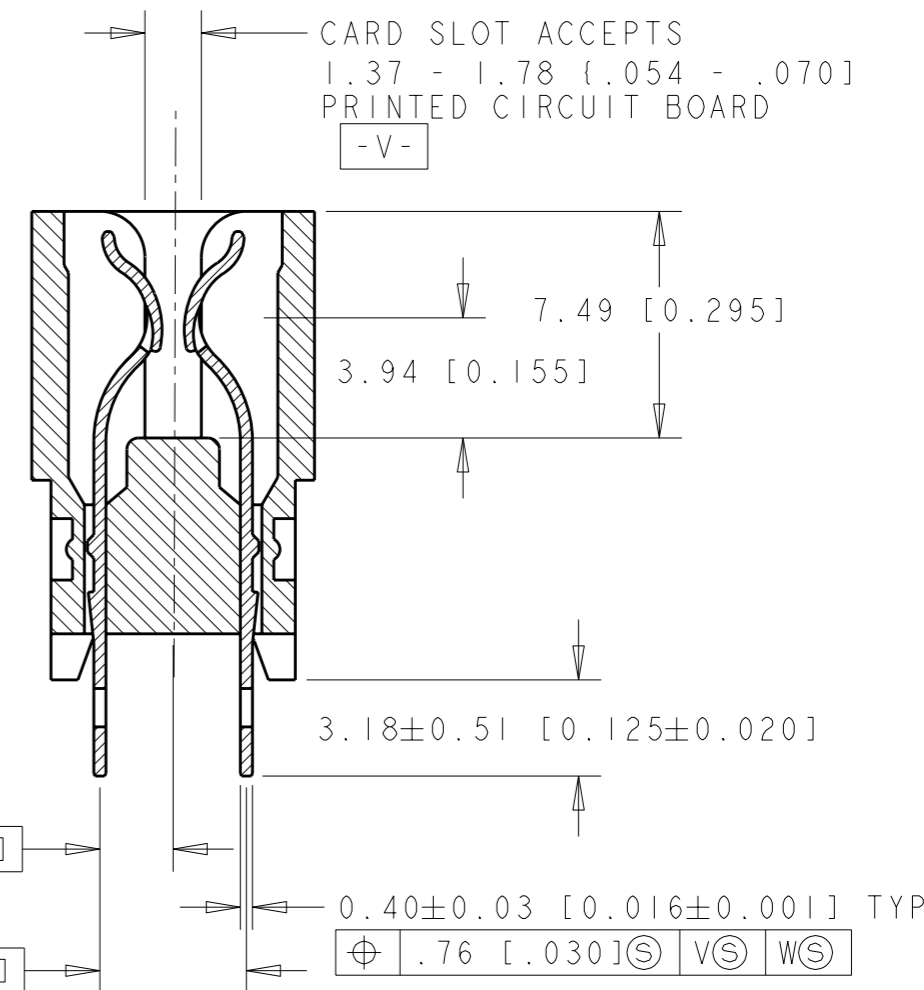
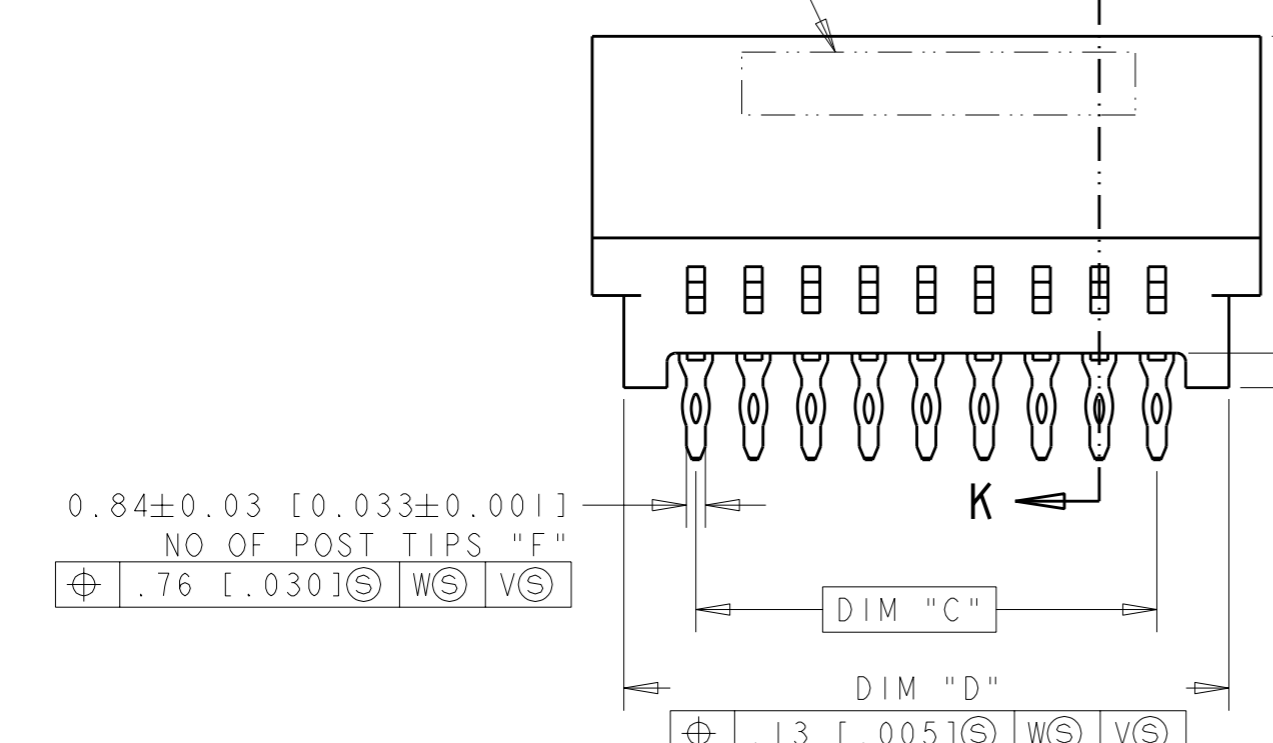
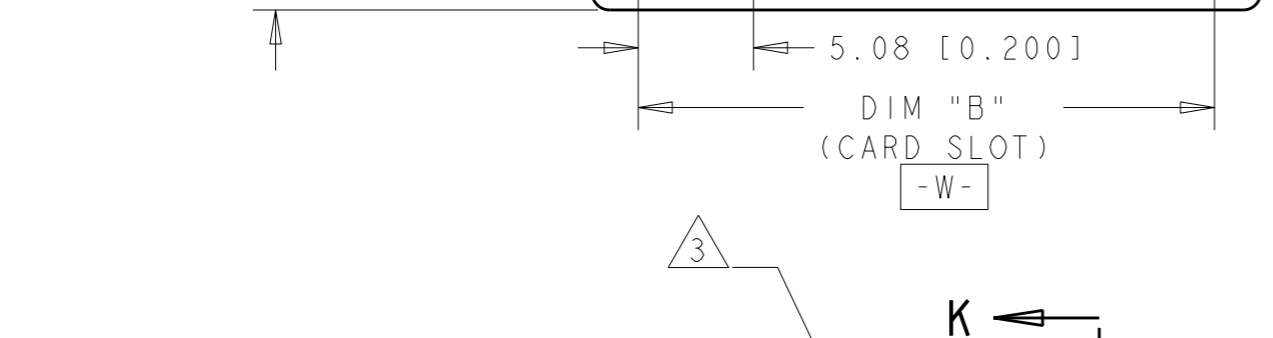
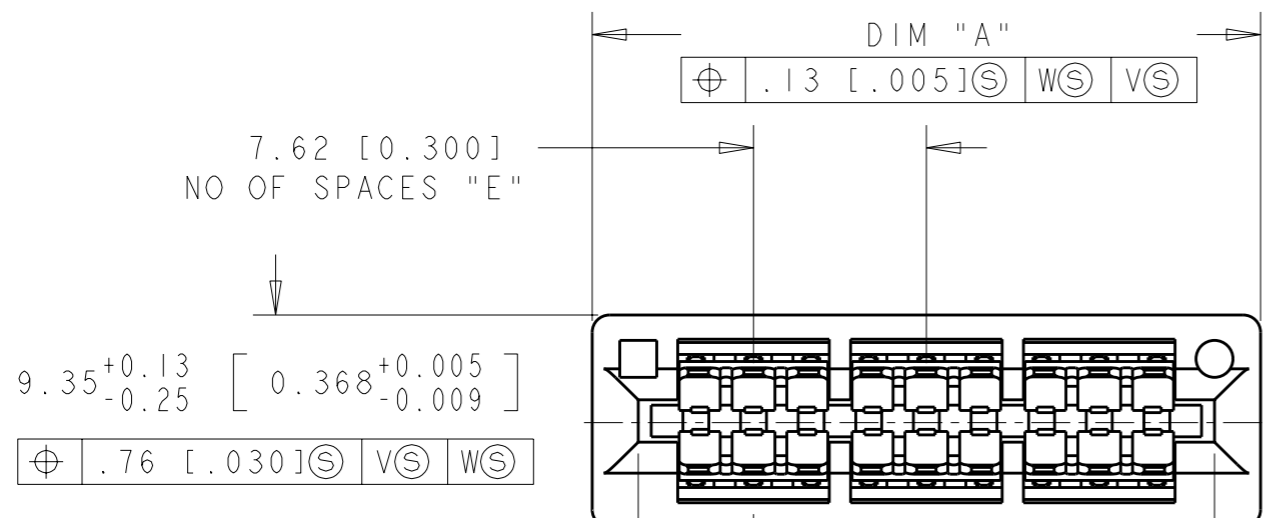
3

2

1

THIS DRAWING IS UNPUBLISHED. RELEASED FOR PUBLICATION 20
 © COPYRIGHT 20 BY TYCO ELECTRONICS CORPORATION. ALL RIGHTS RESERVED.

LOC	DIST	REVISIONS				
P	LTR	DESCRIPTION	DATE	DWN	APVD	
GP	00	-	SEE SHEET 1	-	-	

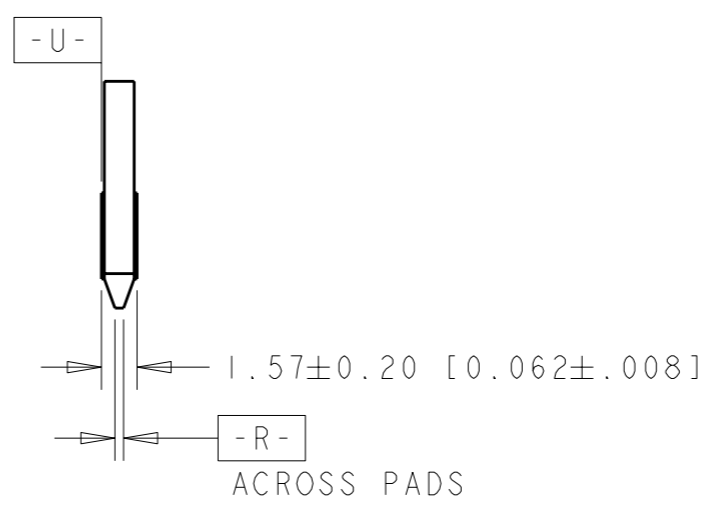
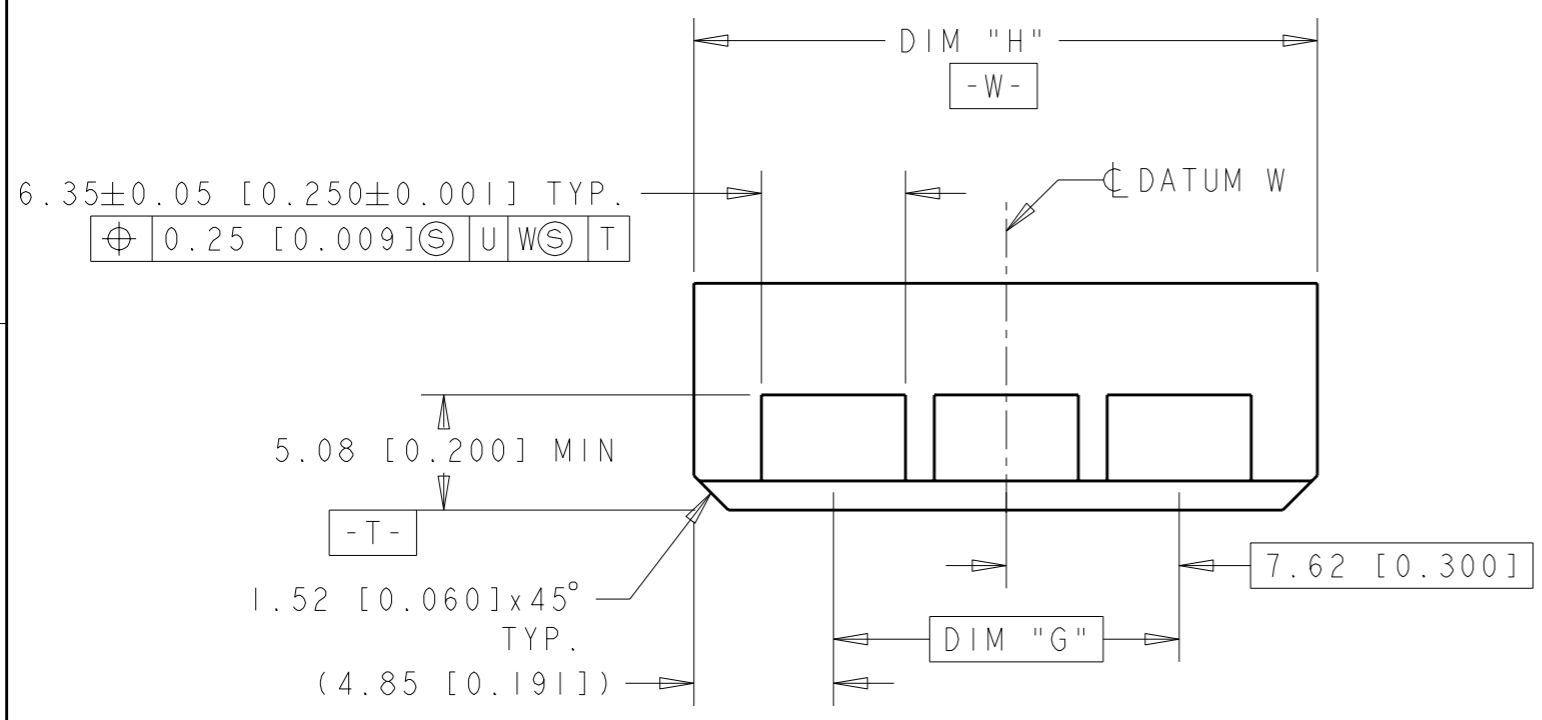


SECTION K-K
SCALE 4:1

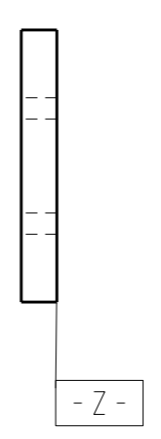
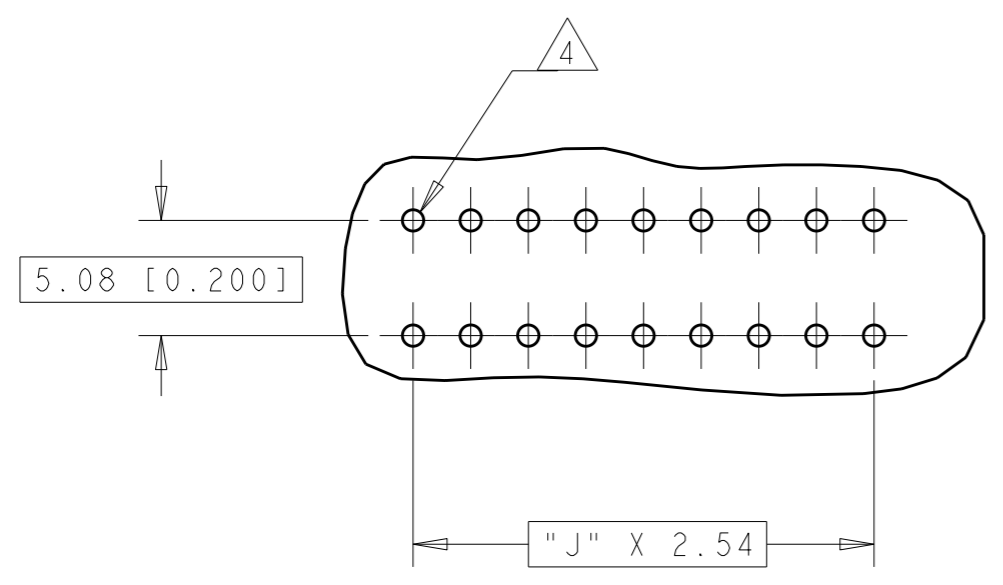
<small>THIS DRAWING IS A CONTROLLED DOCUMENT FOR TYCO ELECTRONICS CORPORATION IT IS SUBJECT TO CHANGE AND THE CONTROLLING ENGINEERING ORGANIZATION SHOULD BE CONTACTED FOR THE LATEST REVISION.</small>		DWN G. PETERS 13FEB2007 CHK A. FRANTUM 13FEB2007 APVD S. FLICKINGER 13FEB2007		tyco Tyco Electronics Electronics Harrisburg, PA 17105-3608	
DIMENSIONS: mm [INCHES]		TOLERANCES UNLESS OTHERWISE SPECIFIED: 0 PLC ±- 1 PLC ±- 2 PLC ±.013 [0.005] 3 PLC ±- 4 PLC ±- ANGLES ±2		NAME CONNECTOR ASSEMBLY, SEC II POWER, DUAL POSITION	
MATERIAL NOTE 1		FINISH NOTE 2		PRODUCT SPEC - APPLICATION SPEC - WEIGHT -	
CUSTOMER DRAWING		SCALE 1:1		SIZE A3 CAGE CODE 00779 C-1888946 SHEET 2 OF 3 REV F	

THIS DRAWING IS UNPUBLISHED. RELEASED FOR PUBLICATION 20
 © COPYRIGHT 20 BY TYCO ELECTRONICS CORPORATION. ALL RIGHTS RESERVED.

LOC	DIST	REVISIONS			
P	LTR	DESCRIPTION	DATE	DWN	APVD
GP	00	-	SEE SHEET 1	-	-



RECOMMENDED MATING BOARD CONFIGURATION
 TYPICAL BOTH SIDES



RECOMMENDED PC BOARD HOLE LAYOUT
 (VIEWED FROM CONNECTOR SIDE)

<small>THIS DRAWING IS A CONTROLLED DOCUMENT FOR TYCO ELECTRONICS CORPORATION IT IS SUBJECT TO CHANGE AND THE CONTROLLING ENGINEERING ORGANIZATION SHOULD BE CONTACTED FOR THE LATEST REVISION.</small>		DWN G.PETERS 13FEB2007 CHK A.FRANTUM 13FEB2007 APVD S.FLICKINGER 13FEB2007		Tyco Electronics Harrisburg, PA 17105-3608	
DIMENSIONS: mm [INCHES]		TOLERANCES UNLESS OTHERWISE SPECIFIED:		NAME CONNECTOR ASSEMBLY, SEC II POWER, DUAL POSITION	
		0 PLC ±- 1 PLC ±- 2 PLC ±.013 [.005] 3 PLC ±- 4 PLC ±- ANGLES ±2		PRODUCT SPEC - APPLICATION SPEC - WEIGHT -	
MATERIAL NOTE 1		FINISH NOTE 2		SIZE A3 CAGE CODE 00779 DRAWING NO C-1888946 RESTRICTED TO -	
CUSTOMER DRAWING				SCALE 1:1 SHEET 3 OF 3 REV F	

X-ON Electronics

Largest Supplier of Electrical and Electronic Components

Click to view similar products for [Standard Card Edge Connectors](#) category:

Click to view products by [TE Connectivity](#) manufacturer:

Other Similar products are found below :

[CR7E-30DB-3.96E\(72\)](#) [6364499-1](#) [6565204-6](#) [PKC-156](#) [1437274-4](#) [147889-1](#) [1489165-4](#) [EBT15622B2X](#) [1-582587-1](#) [284-0102-12100](#)
[286-0052-12101A](#) [306022901000000](#) [307-012-502-202](#) [307-056-520-300](#) [2129318-1](#) [245-062-520-350](#) [287-0032-12101](#) [306-028-525-102](#)
[307-072-526-202](#) [345-060-559-303](#) [392-008-559-201](#) [534671-1](#) [341-240-317](#) [345-044-500-300](#) [346-240-318](#) [395-100-524-300](#) [09-07-2032](#)
[10035388-802LF](#) [10115859-011LF](#) [10122859-009LF](#) [10127905-B04B24BLF](#) [530555-1](#) [5-678046-1](#) [73726-0005](#) [66308-1](#) [1-1437275-6](#)
[PEC-07-02-T-S-A](#) [346-014-520-801](#) [307-048-502-202](#) [CE100F22-9-C](#) [CE100F26-7-C](#) [CE100F28-3-D](#) [CE156F18-9-C](#) [CE156F22-5-D](#)
[CE156F22-9-C](#) [CT100F22-2-D](#) [CT100F22-3-D](#) [CT100F24-2-D](#) [CT100F24-3-D](#) [CT100F24-6-C](#)