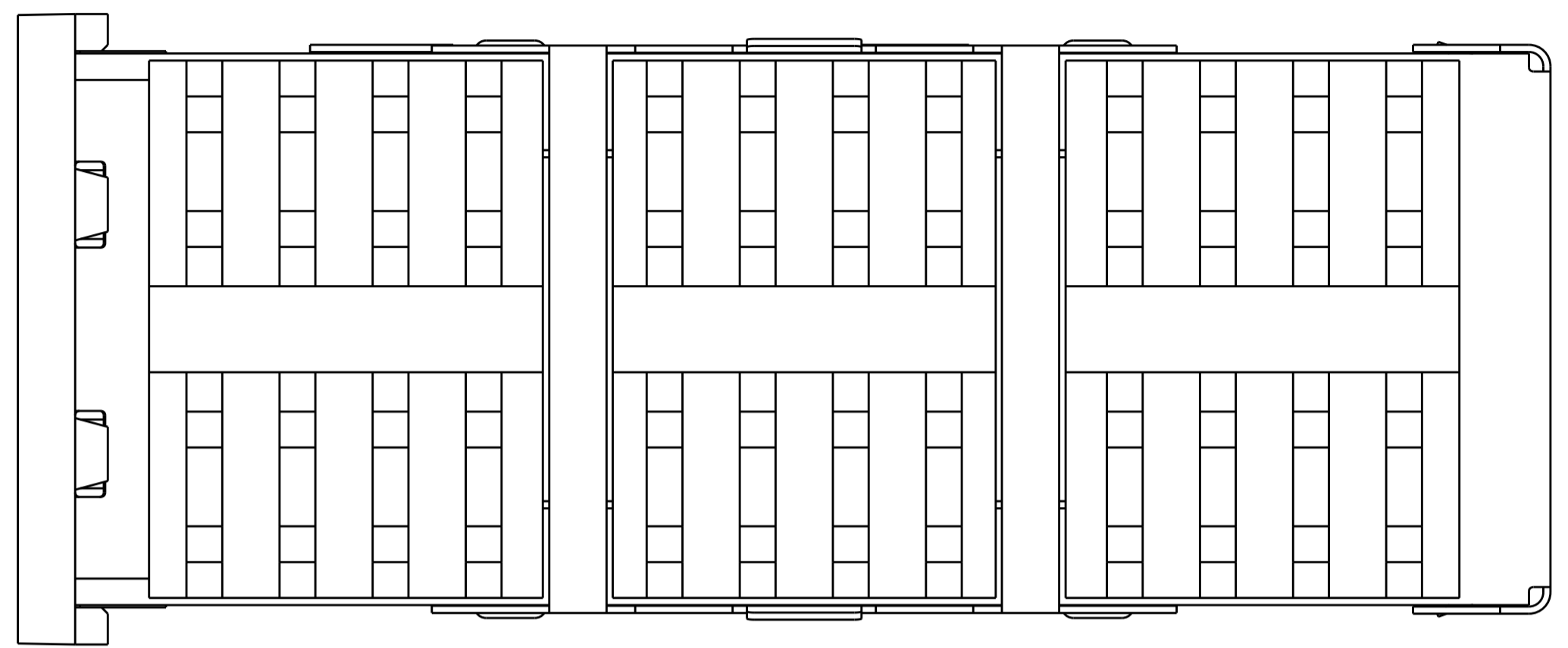
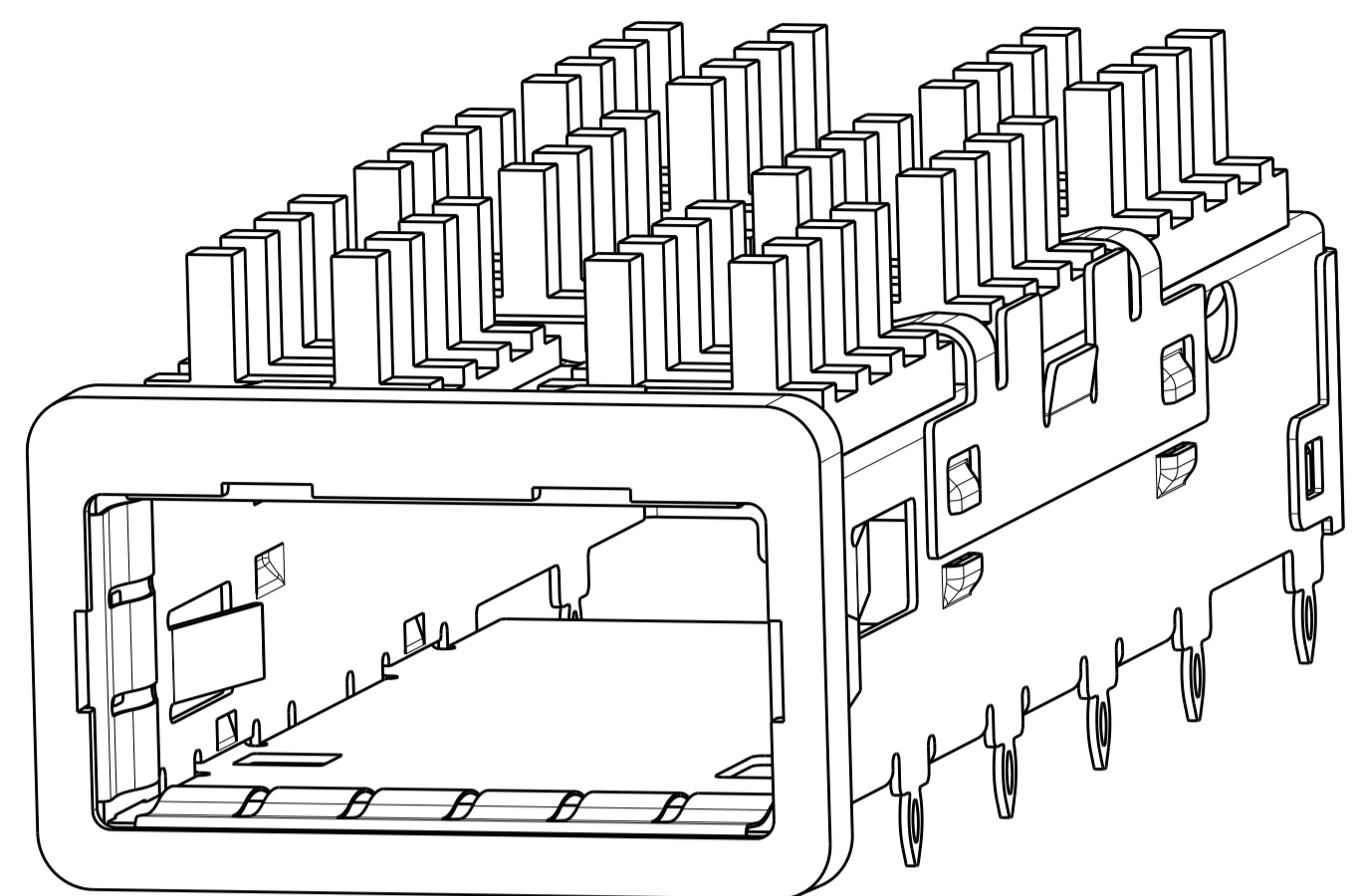
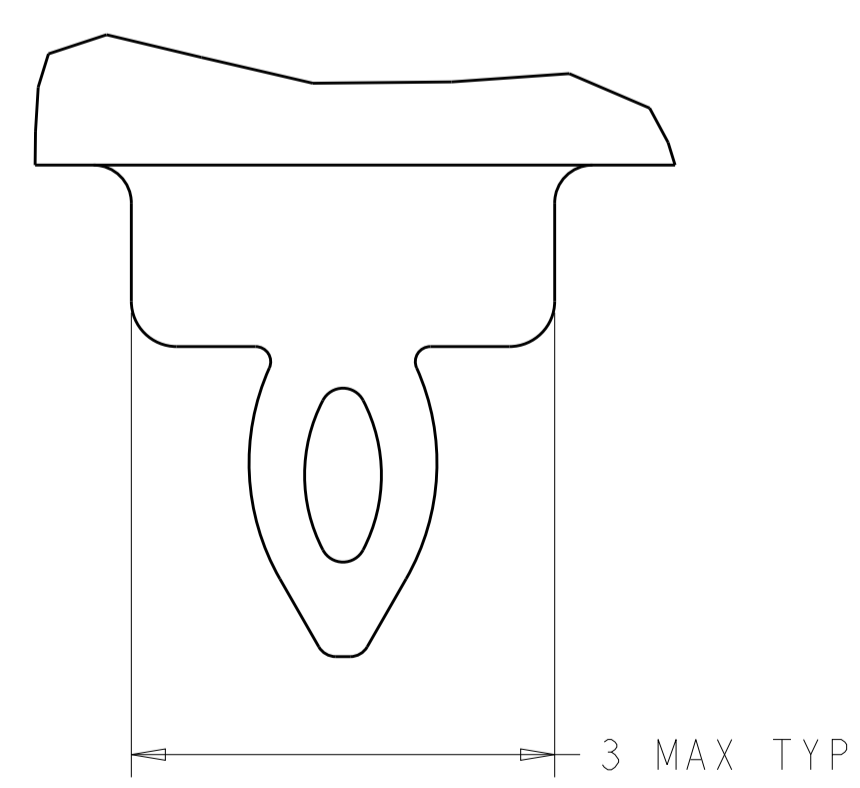
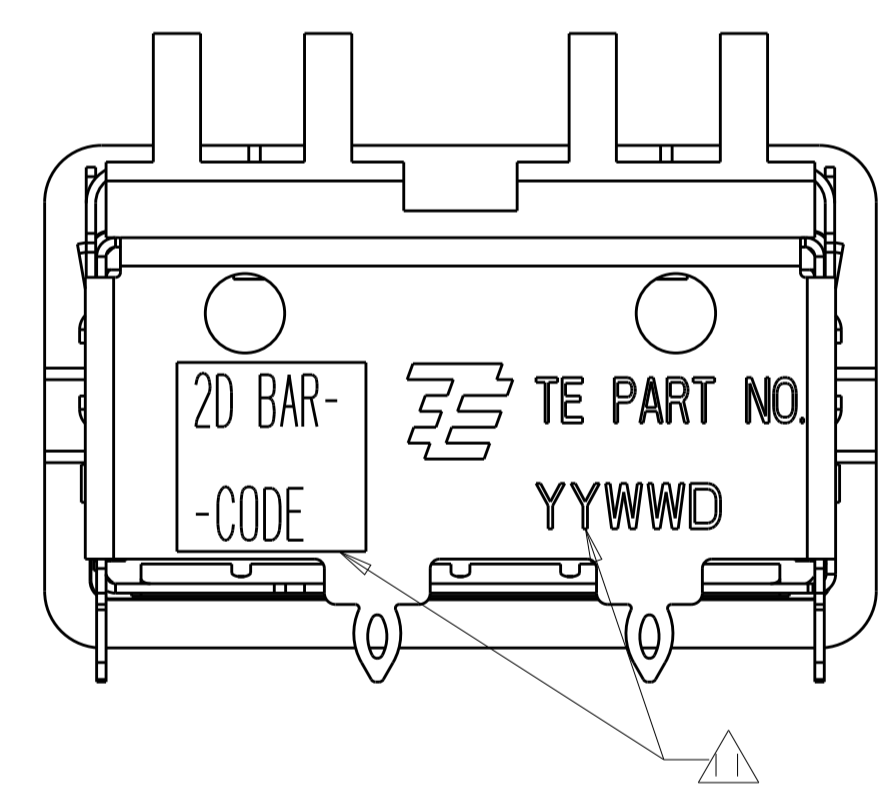
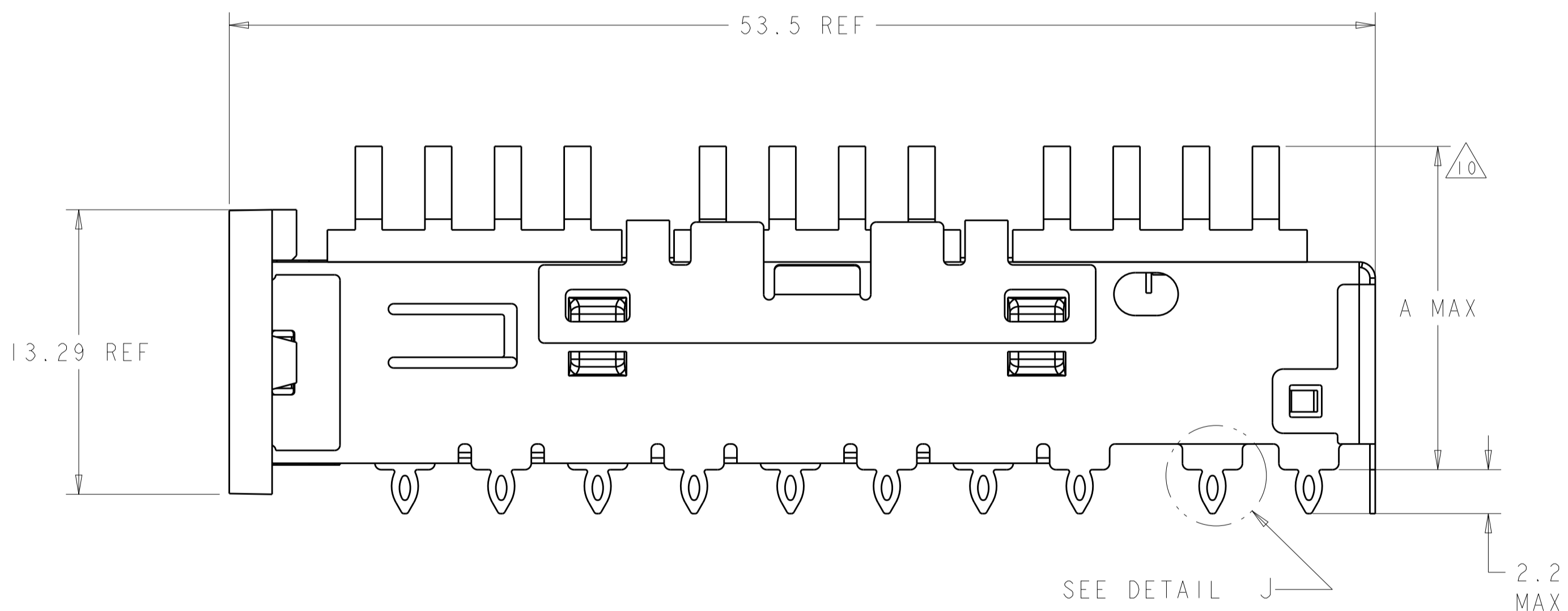
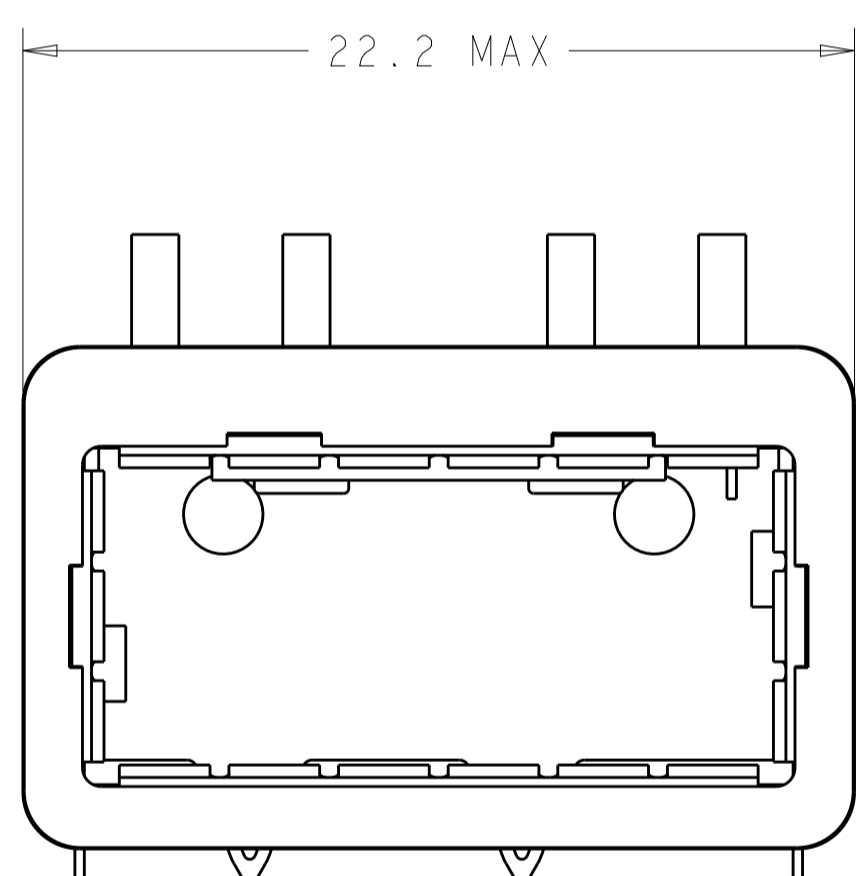


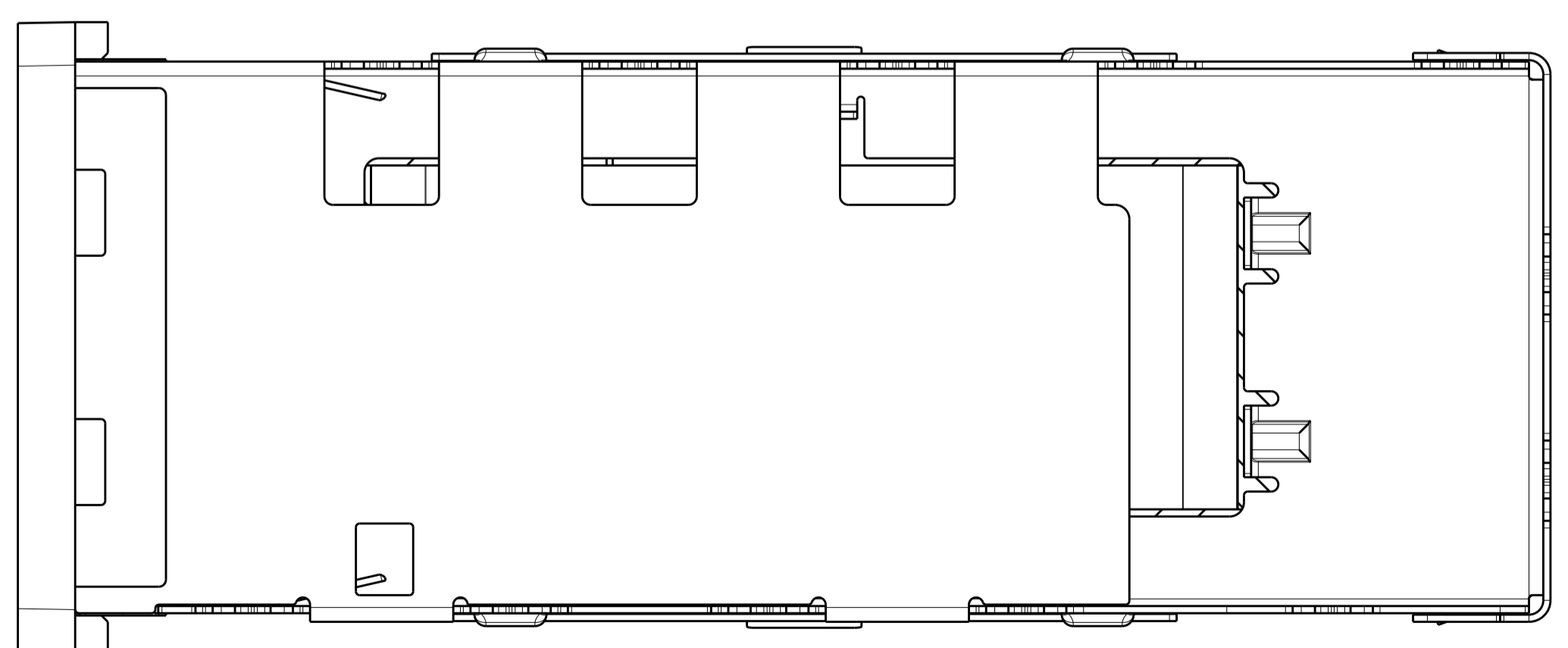
REVISIONS					
P.	LTN	DESCRIPTION	DATE	DWN	APVD
	B1	REV PER ECO-14-016878	24NOV2014	RG	MC



- 1 CAGE MATERIAL: NICKEL SILVER, 0.25 THICK
 HEAT SINK MATERIAL: ALUMINUM
 HEAT SINK CLIP MATERIAL: STAINLESS STEEL
 EMI SPRING MATERIAL: COPPER ALLOY
 FRONT FLANGE MATERIAL: ZINC ALLOY
- 2 MINIMUM PITCH DIMENSION.
- 3. MATES WITH QSFP MSA COMPATIBLE TRANSCEIVER.
- 4 REFERENCE APPLICATION SPEC 114-13218 FOR RECOMMENDED DRILL HOLE DIAMETER AND PLATING THICKNESS.
- 5 DATUMS AND BASIC DIMENSIONS ESTABLISHED BY CUSTOMER.
- 6 DIMENSION C IS THE NOMINAL THICKNESS OF CUSTOMER SUPPLIED PC BOARD,
 SINGLE SIDED PC BOARD MINIMUM THICKNESS: 1.45
 DOUBLE SIDED PC BOARD MINIMUM THICKNESS: 2.7.
- 7 HEAT SINK AND CLIP SHIPPED ASSEMBLED TO CAGE ASSEMBLY
 CAGE ASSEMBLY MAY BE PRESSED INTO THE PCB AS SHIPPED.
- 8 DATUM -A- IS TOP SURFACE OF HOST BOARD.
- 9 SURFACE TRACES PERMITTED WITHIN THIS AREA EXCEPT WHERE CAGE STANDOFFS, SHOWN IN DETAIL J, CONTACT PC BOARD.
- 10 DIMENSION APPLIES WITH MODULE INSTALLED IN THE CAGE.
- 11 2D BARCODE AND DATE CODE (YYWWD) MARKED ON BACK OF CAGE.
- 12 EMI SPRING FINISH: 2µm MIN TIN.
 FRONT FLANGE FINISH: 3µm MIN TIN OVER 1.27µm MIN NICKEL OVER 5.08µm MIN COPPER.
 HEAT SINK FINISH: 0.076µm MIN NICKEL.



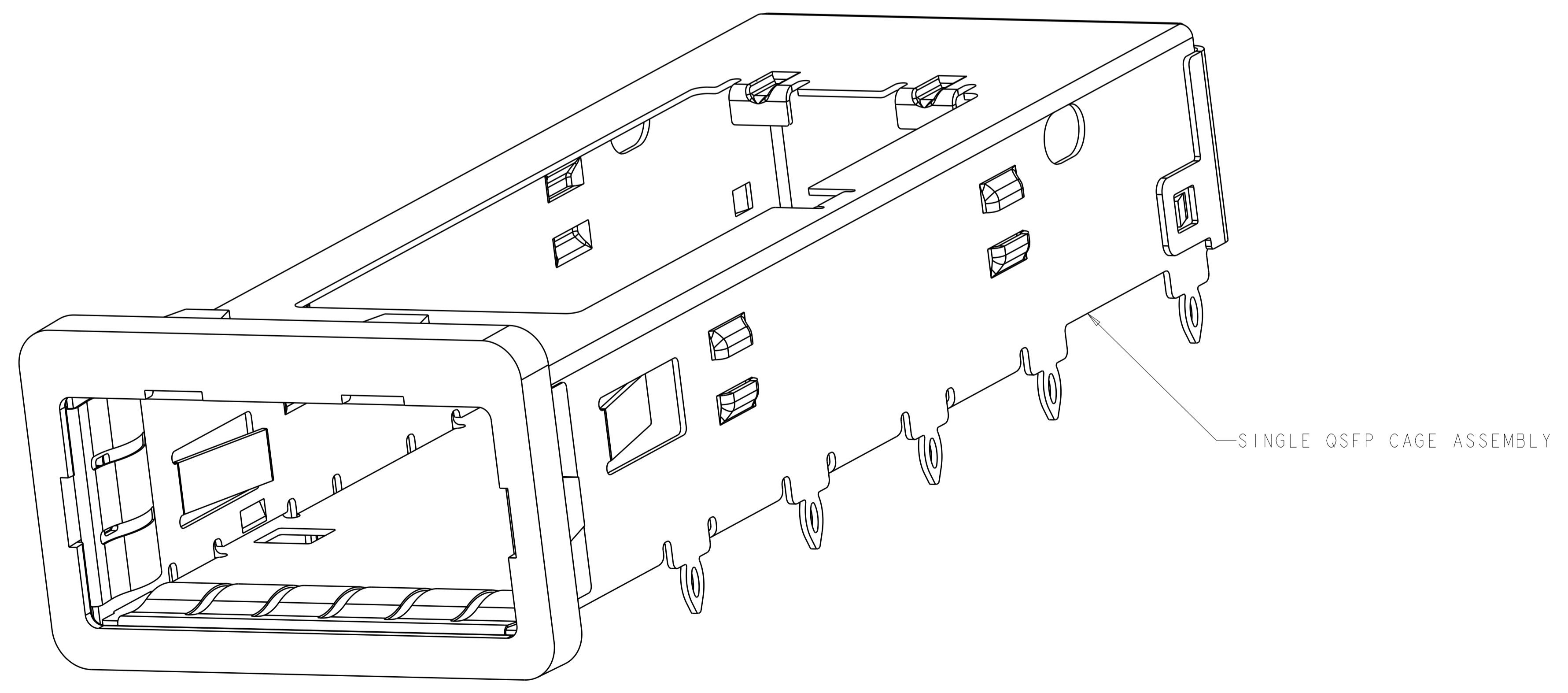
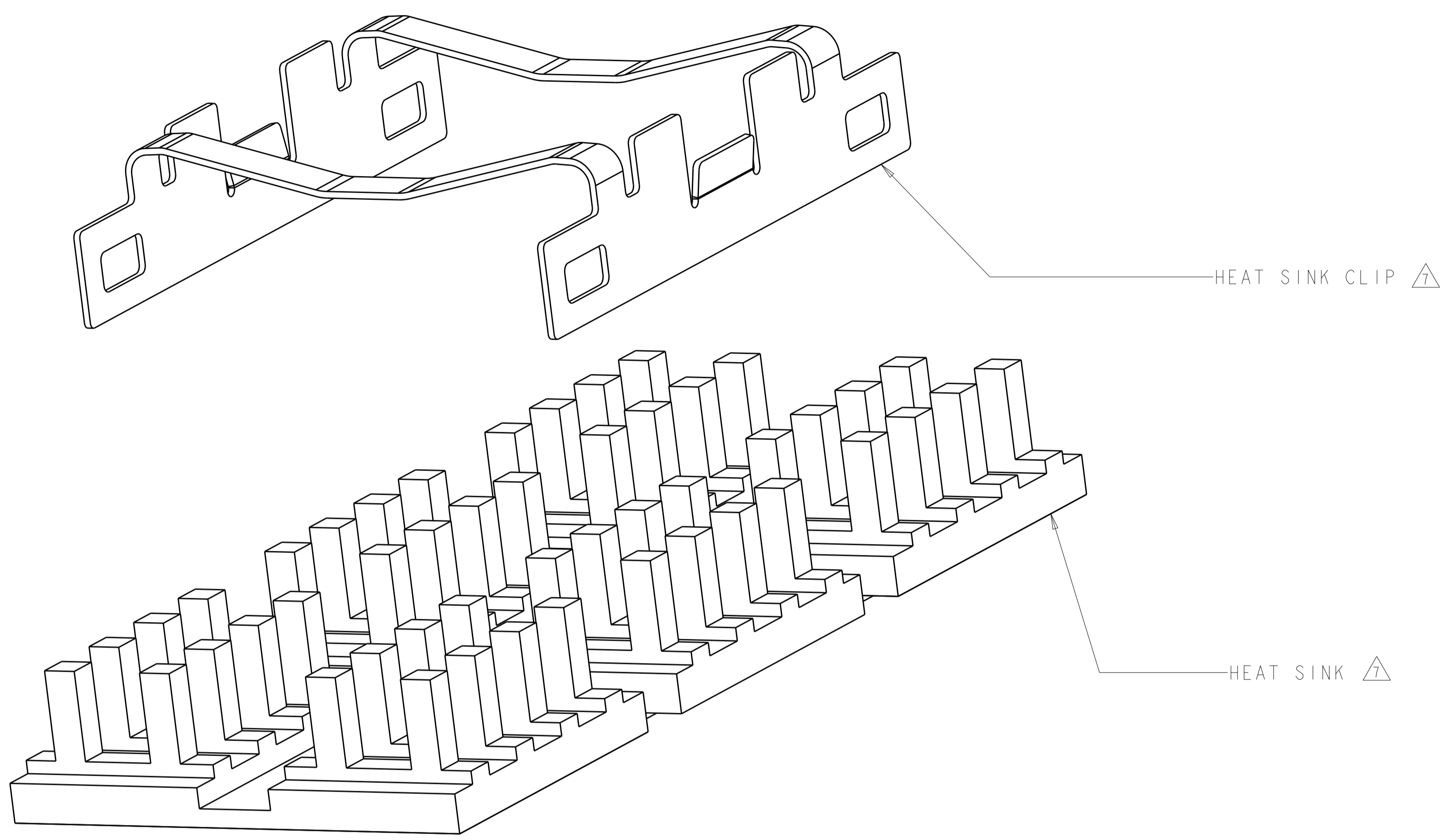
DETAIL J
 SCALE 20:1



23.0	NETWORKING HEAT SINK	1888968-3
16.0	SAN HEAT SINK (SHOWN)	1888968-2
13.7	PCI HEAT SINK	1888968-1
A	DESCRIPTION	PART NUMBER

THIS DRAWING IS A CONTROLLED DOCUMENT.		DWN C. VALENTINE 19FEB2007	TE Connectivity NAME CAGE ASSEMBLY, BEHIND BEZEL, QSFP WITH HEAT SINK
DIMENSIONS:		CHK E. BRIGHT 19FEB2007	
mm	TOLERANCES UNLESS OTHERWISE SPECIFIED:	APVD E. BRIGHT 19FEB2007	PRODUCT SPEC
0 PLC	±0.5	PRODUCT SPEC	108-2286
2 PLC	±0.13	APPLICATION SPEC	114-13218
3 PLC	±0.013	WEIGHT	-
4 PLC	±0.001	CUSTOMER DRAWING	SCALE 5:1 SHEET 1 OF 5 REV B1
ANGLES	±0.0001		
MATERIAL	FINISH		

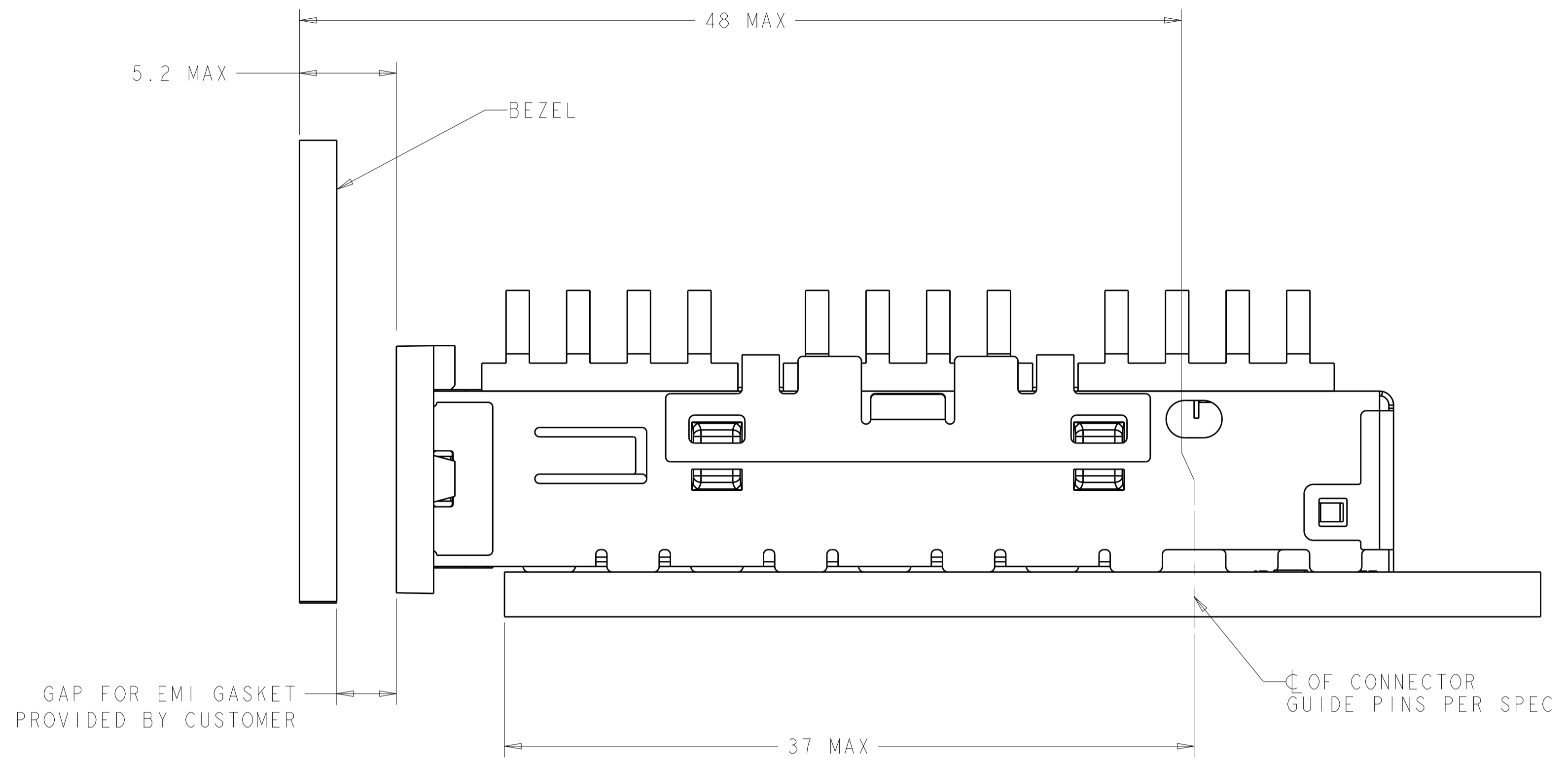
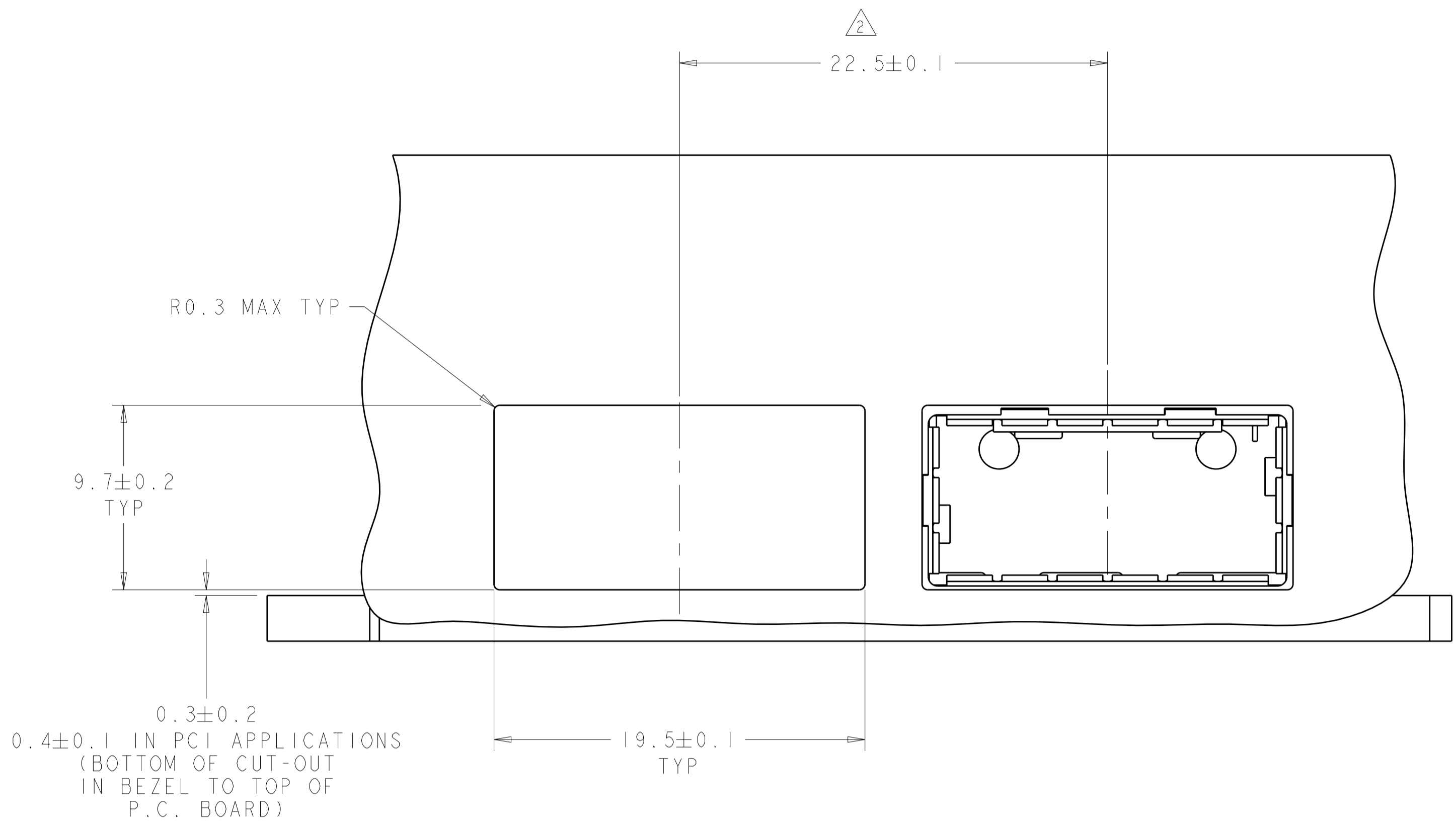
REVISIONS				
P.	LTN	DESCRIPTION	DATE	OWN APVD
-	-	SEE SHEET 1	-	-



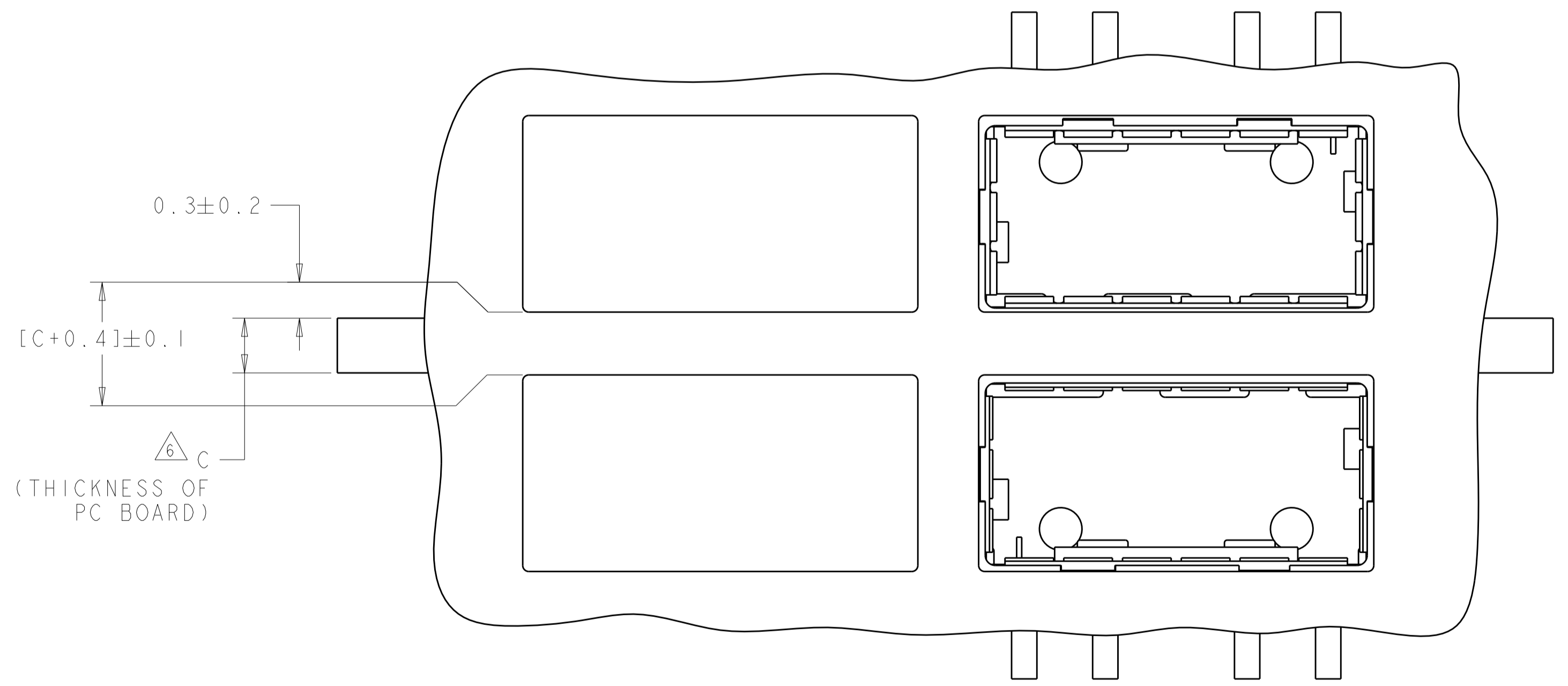
EXPLODED VIEW
 SCALE 8:1

THIS DRAWING IS A CONTROLLED DOCUMENT.		OWN C. VALENTINE 19FEB2007	TE Connectivity NAME CAGE ASSEMBLY, BEHIND BEZEL, QSFP WITH HEAT SINK PRODUCT SPEC 108-2286 APPLICATION SPEC 114-13218 WEIGHT - CUSTOMER DRAWING	SIZE A1	CAGE CODE 00779	DRAWING NO C=1888968	RESTRICTED TO -	
DIMENSIONS:	TOLERANCES UNLESS OTHERWISE SPECIFIED:	CHK E. BRIGHT 19FEB2007		APVD E. BRIGHT 19FEB2007	SCALE 5:1	SHEET 2	OF 5	REV B1
mm	0 PLC ±0.5 2 PLC ±0.13 3 PLC ±0.013 4 PLC ±0.001	FINISH						
	ANGLES ±0.0001							

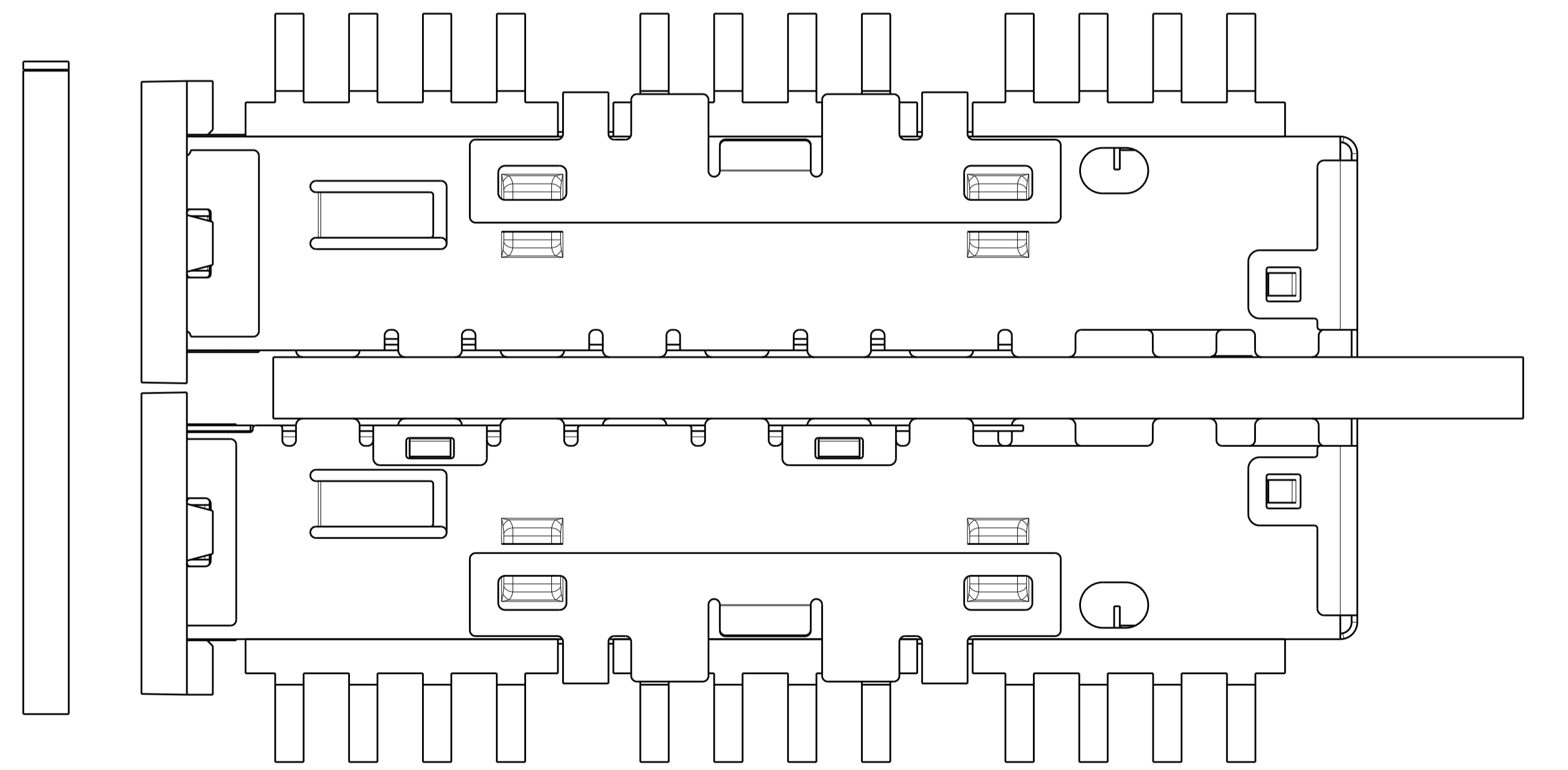
REVISIONS				
P.	LTM	DESCRIPTION	DATE	APVD
-	-	SEE SHEET 1	-	-



ONE SIDED CONFIGURATION

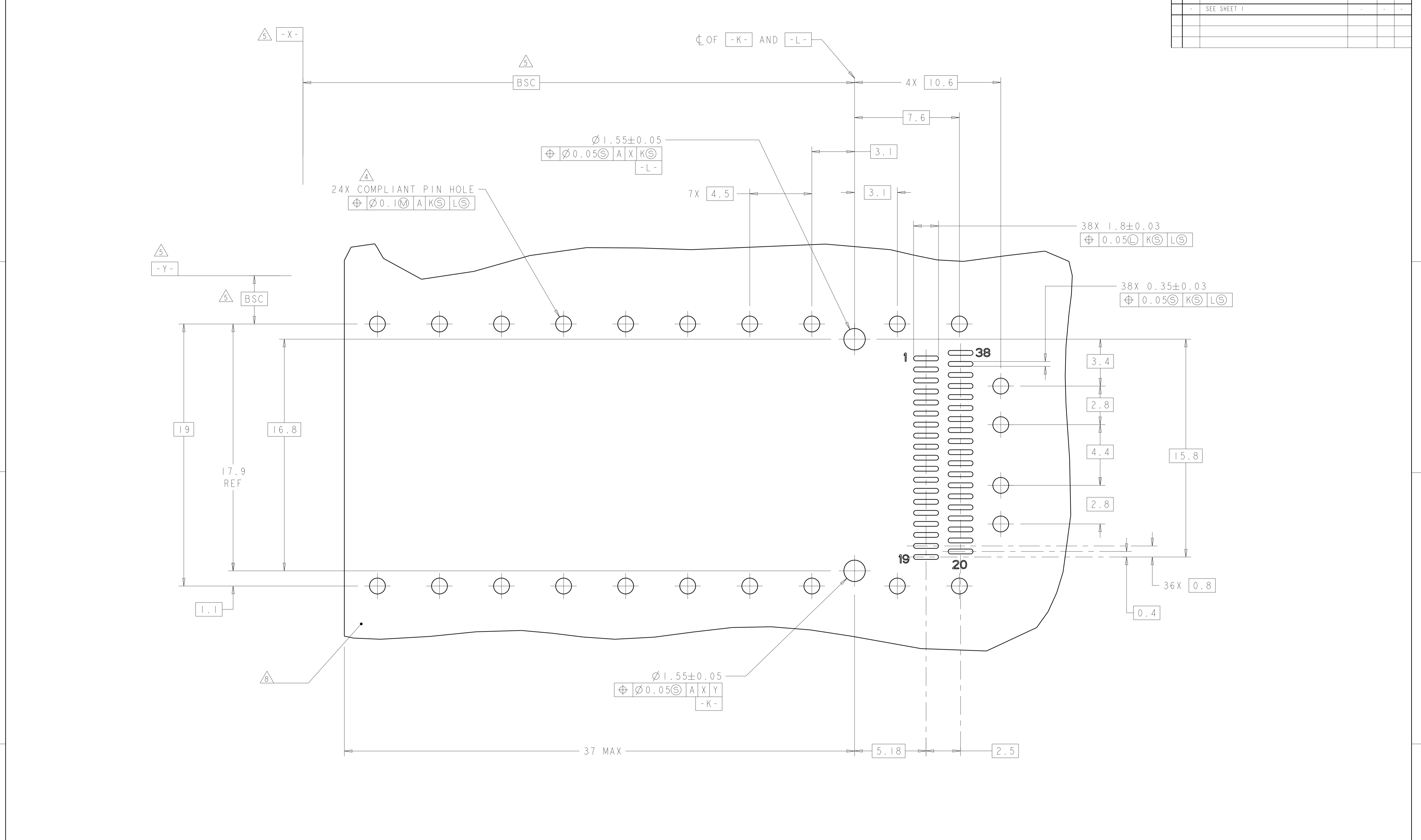


BELLY TO BELLY CONFIGURATION
 SIMILAR TO ONE SIDED EXCEPT
 WHERE NOTED



THIS DRAWING IS A CONTROLLED DOCUMENT.		DWN C. VALENTINE 19FEB2007 CHK E. BRIGHT 19FEB2007 APVD E. BRIGHT 19FEB2007	STE TE Connectivity NAME CAGE ASSEMBLY, BEHIND BEZEL, QSFP, WITH HEAT SINK PRODUCT SPEC 108-2286 APPLICATION SPEC 114-13218 WEIGHT - CUSTOMER DRAWING
DIMENSIONS: mm TOLERANCES UNLESS OTHERWISE SPECIFIED: 0 PLC ±0.5 2 PLC ±0.13 3 PLC ±0.013 4 PLC ±0.0001 ANGLES ±0.0001	FINISH - MATERIAL -	SIZE CAGE CODE DRAWING NO A100779C=1888968 SCALE 5:1 SHEET 3 OF 5 REV B1	RESTRICTED TO

REVISIONS				
P.	LTN.	DESCRIPTION	DATE	APPD.
-	-	SEE SHEET 1	-	-



RECOMMENDED PCB LAYOUT
 BELLY TO BELLY CONFIGURATION
 SEE SHEET 4 FOR KEEP OUT AREAS
 SCALE 8:1

THIS DRAWING IS A CONTROLLED DOCUMENT.		DWN C. VALENTINE 19FEB2007 CHK E. BRIGHT 19FEB2007 APPD F. BRIGHT 19FEB2007	TE Connectivity
DIMENSIONS: mm 	TOLERANCES UNLESS OTHERWISE SPECIFIED: 0 PLC ±0.5 2 PLC ±0.13 3 PLC ±0.013 4 PLC ±0.001 ANGLES ±0.001	NAME CAGE ASSEMBLY, BEHIND BEZEL, QSFP WITH HEAT SINK PRODUCT SPEC 108-2286 APPLICATION SPEC 114-13218 WEIGHT - CUSTOMER DRAWING	
MATERIAL	FINISH	SIZE CAGE CODE DRAWING NO A100779C=1888968	RESTRICTED TO SCALE 4:1 SHEET 5 OF 5 REV B1

X-ON Electronics

Largest Supplier of Electrical and Electronic Components

Click to view similar products for [I/O Connectors](#) category:

Click to view products by [TE Connectivity](#) manufacturer:

Other Similar products are found below :

[571763P](#) [58098-0628](#) [72.250.1628.2](#) [72.250.2428.2](#) [74720-0505](#) [76.350.0729.0](#) [76871-1403](#) [FCN-244F080-G/1](#) [FCN-260A9920](#) [PCR-E36PM](#) [PCS-XE26MA+](#) [G38A71314B](#) [DX40-50P\(55\)](#) [1571250010](#) [157-22500-3](#) [MS3471L14-19P L/C](#) [91-569786-35H](#) [172501-4002](#) [172501-6002](#) [FCN-260C008-A/L0](#) [FCN-260C024-AL0](#) [FCN-261Z008](#) [2000314-1](#) [200331-1](#) [PCR-E36FC+](#) [PCS-E28FS+](#) [PCS-XE26SLFD+](#) [PCS-XE26SLFDT+](#) [G730VID08BDC24](#) [U90B2054081210](#) [UE86K842720321](#) [38113800006](#) [DP3AR020WQ1R200](#) [Z4.102.0680.0](#) [500-1040](#) [500-1052](#) [500-1054](#) [ZP-4008-66L](#) [0709821002](#) [10-565995-597N](#) [DX40-20P\(55\)](#) [5554841-1](#) [MS3474W18-8P-LC*](#) [U90B3054061110](#) [U65-E04-4020](#) [ZPF000000000097891](#) [557-262M2-06C](#) [747360449](#) [10099439-003C-TRLF](#) [10137239-0021LF](#)