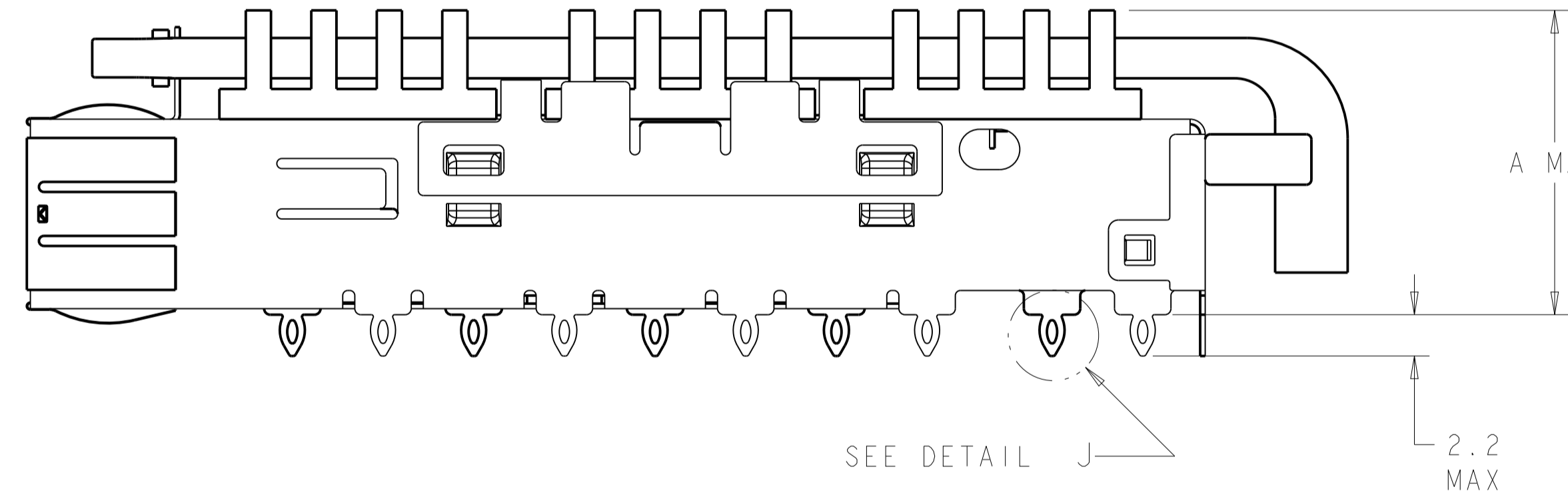
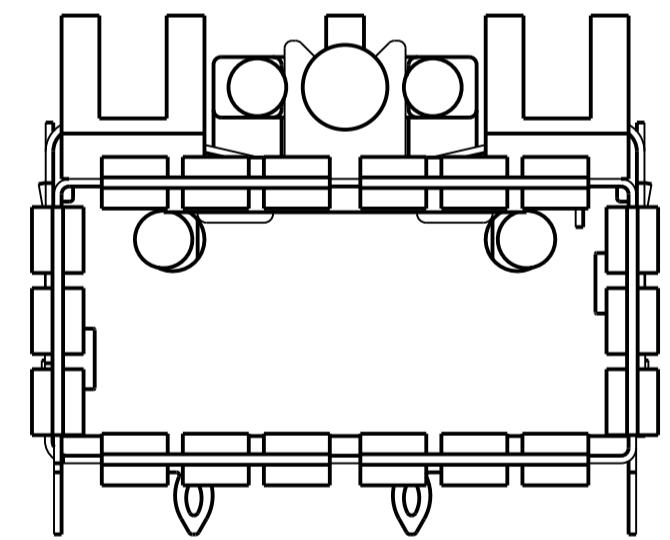
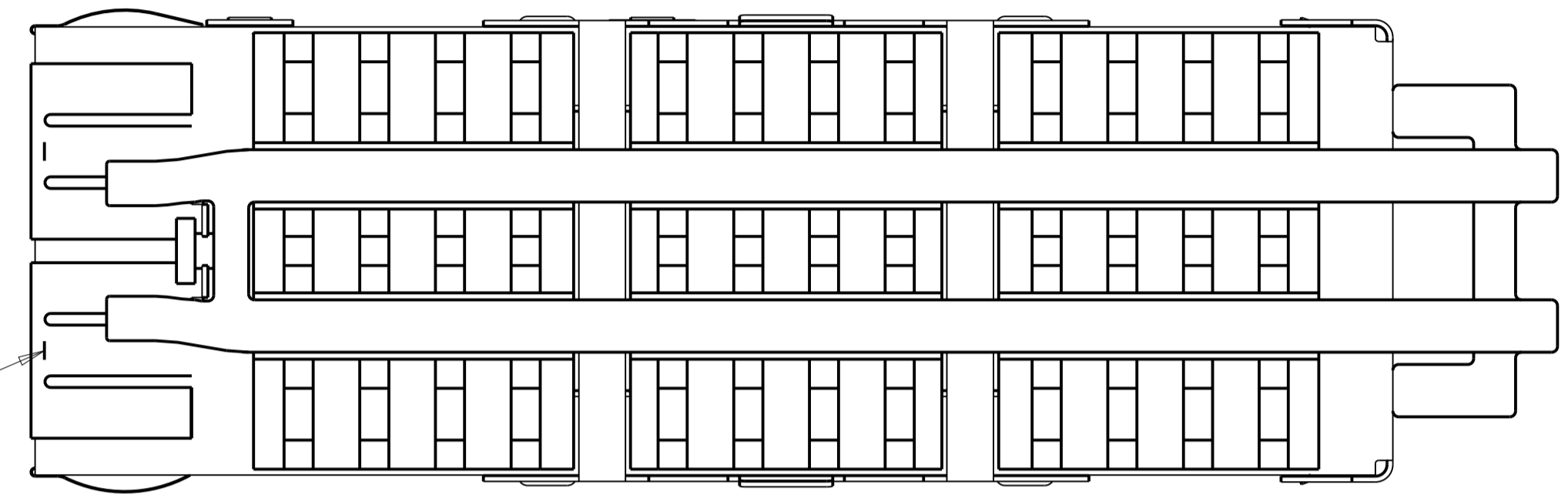


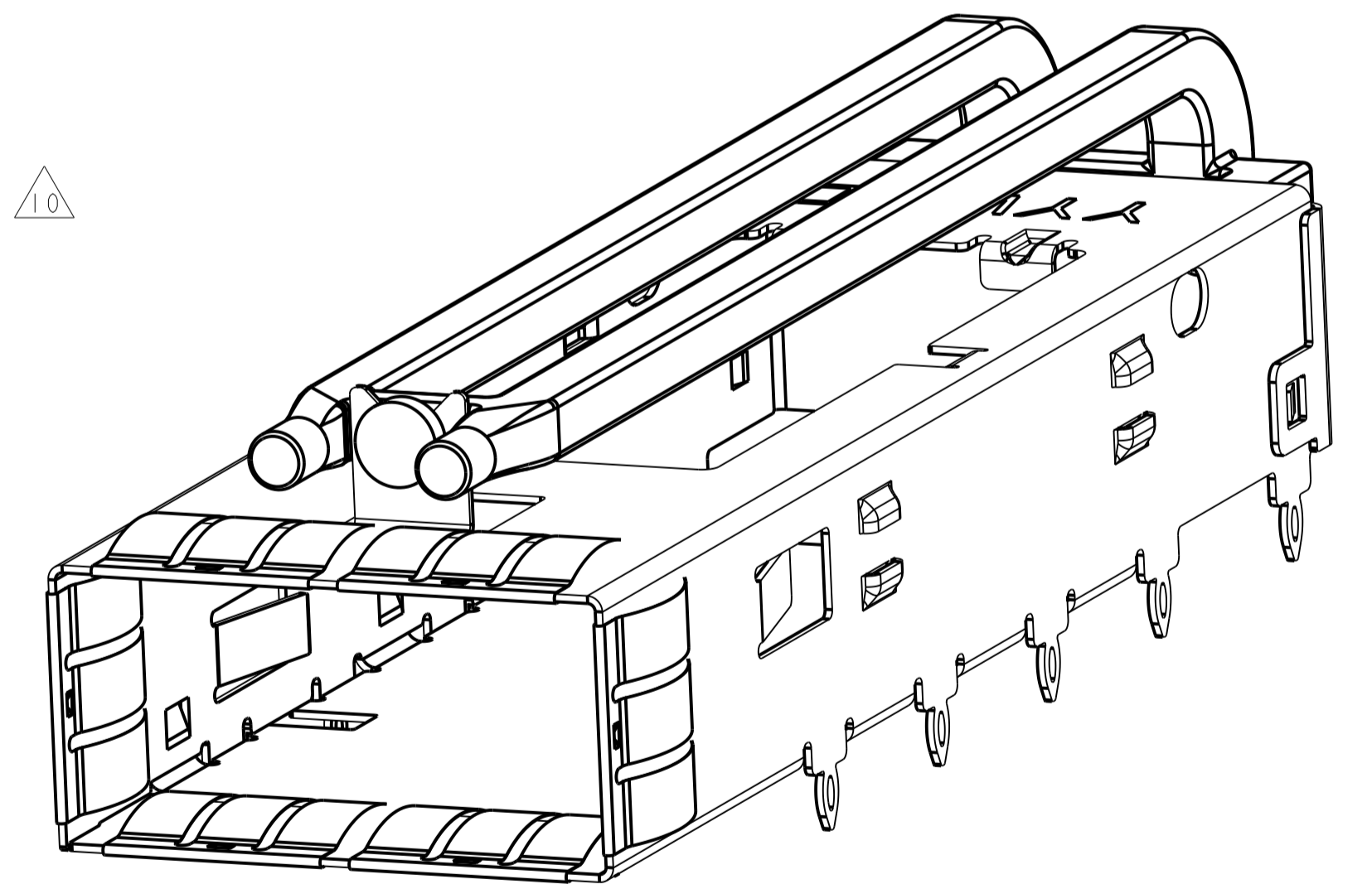
LOC	DIST	REVISIONS			
GP	00	REV	DATE	BY	CHK
		A1	08APR2011	AL	CW
		A2	18AUG2014	RG	MC

- △ MATERIAL:
 CAGE: NICKEL SILVER, 0.25 THICK
 HEAT SINK: ALUMINUM
 HEAT SINK CLIP: STAINLESS STEEL
 EMI SPRINGS: COPPER ALLOY
 LIGHT PIPE: CLEAR POLYCARBONATE.
- △ MINIMUM PITCH DIMENSION.
3. MATES WITH SFF-8436 COMPATIBLE TRANSCEIVER.
- △ REFERENCE APPLICATION SPEC 114-13217 FOR RECOMMENDED DRILL HOLE DIAMETER AND PLATING THICKNESS.
- △ DATUMS AND BASIC DIMENSIONS ESTABLISHED BY CUSTOMER.
6. MINIMUM PC BOARD THICKNESS:
 SINGLE SIDED = 1.45mm (shown, pg. 4)
 DOUBLE SIDED = 2.2mm.
- △ HEATSINK, LIGHT PIPE, AND CLIP SHIPPED ASSEMBLED TO CAGE ASSEMBLY. CAGE ASSEMBLY MAY BE PRESSED INTO THE PCB AS SHIPPED.
- △ DATUM -A- IS TOP SURFACE OF HOST BOARD.
- △ SURFACE TRACES PERMITTED WITHIN THIS LENGTH EXCEPT WHERE CAGE STANDOFFS, SHOWN IN DETAIL J, CONTACT PC BOARD.
- △ DIMENSION APPLIES WITH MODULE INSTALLED IN CAGE.
11. MAXIMUM HEIGHT OF CUSTOMER SUPPLIED LED OFF BOARD: 1.70mm.
- △ DATE CODE (YYWW) MARKED ON TOP OF CAGE AND CONCEALED BY HEAT SINK APPLIES TO CAGE ASSEMBLY ONLY.
- △ HEAT SINK AND CLIP SHIPPED ASSEMBLED TO CAGE ASSEMBLY. CAGE ASSEMBLY MAY BE PRESSED INTO THE PCB AS SHIPPED. LIGHT PIPE MUST BE ASSEMBLED BY CUSTOMER AFTER THE CAGE IS SEATED ON THE PCB.
- △ SPRING FINISH: 0.8um MIN TIN OVER 0.8um MIN NICKEL.
 HEAT SINK FINISH: NICKEL.
 NON-PLATED EDGES PERMISSIBLE.
15. PRODUCT HAS NOT COMPLETED QUALIFICATION TESTING.

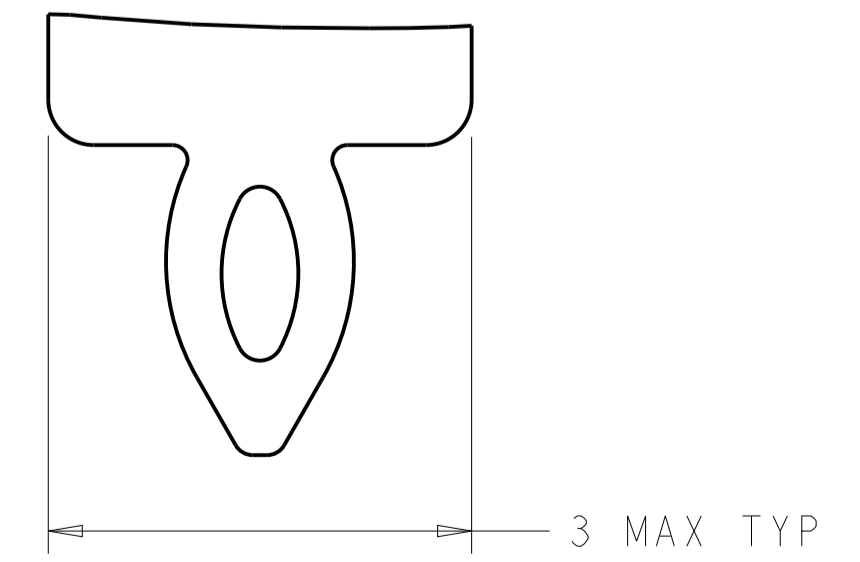
Sn42Bi58 SOLDER
 6 PLACES



SEE DETAIL J



1888971-4 AS SHOWN
 SCALE 5:1

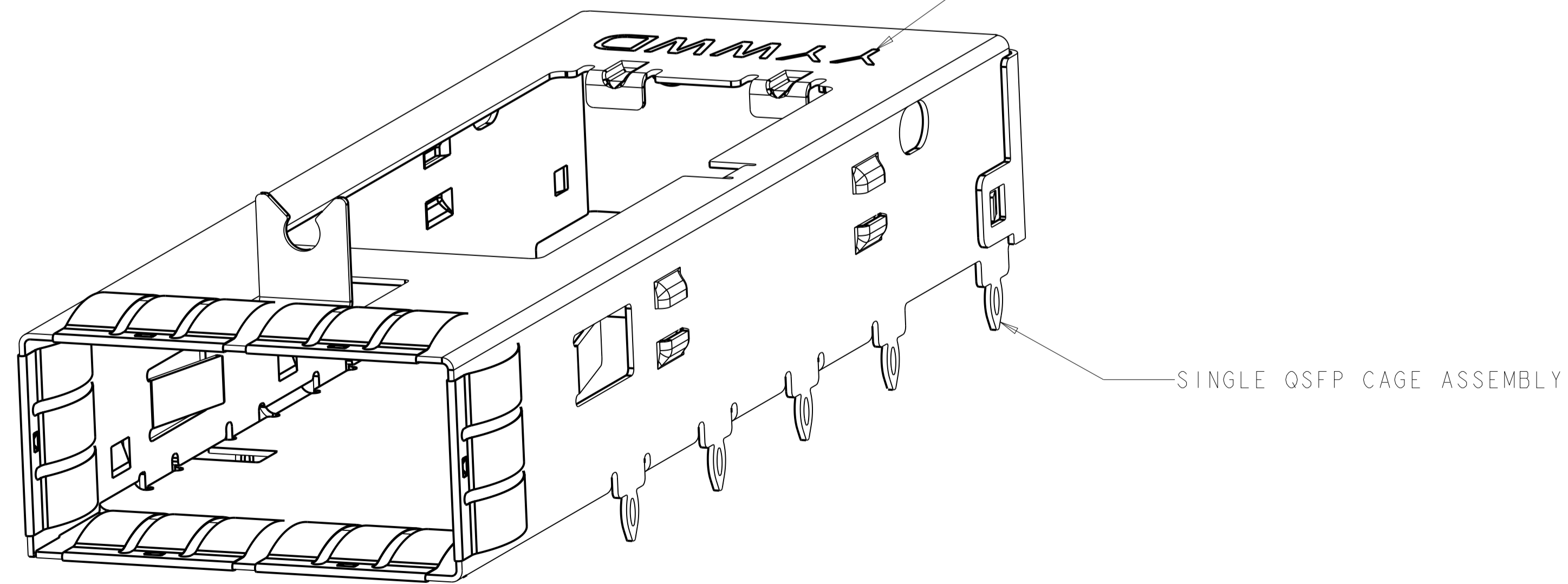
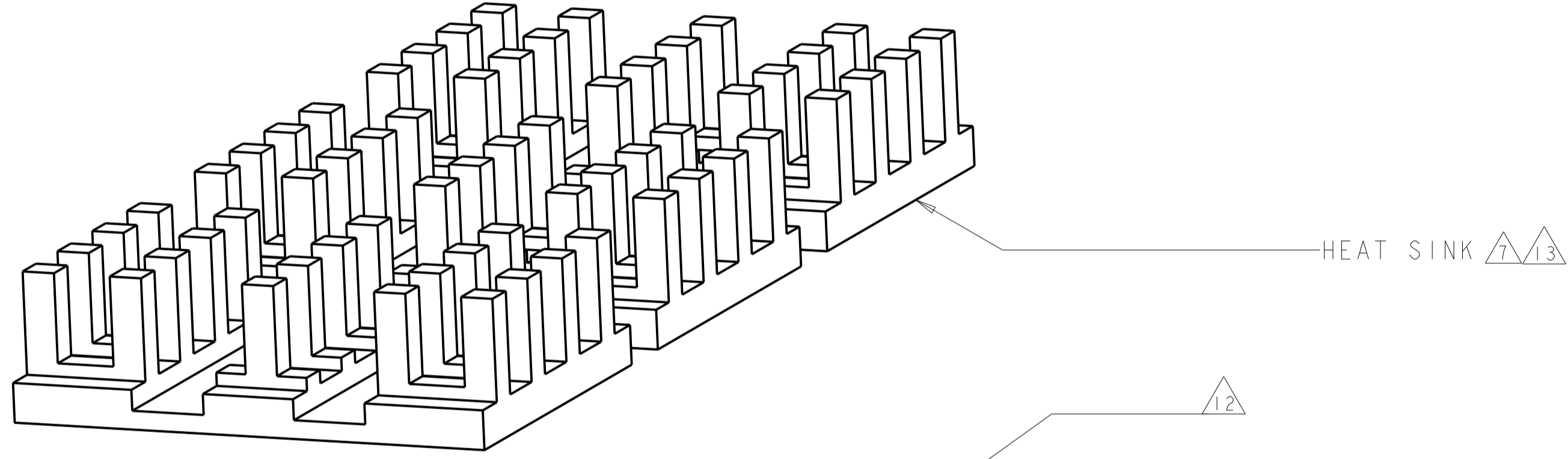
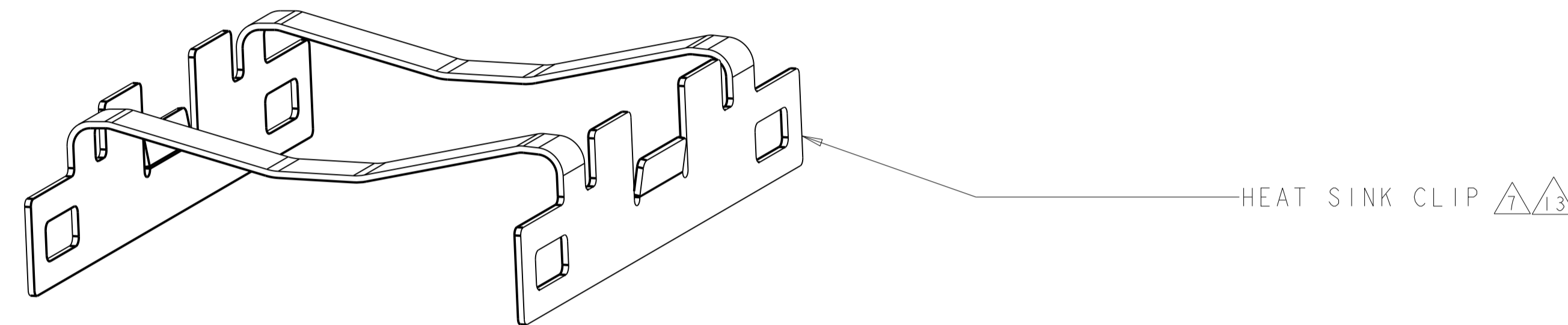
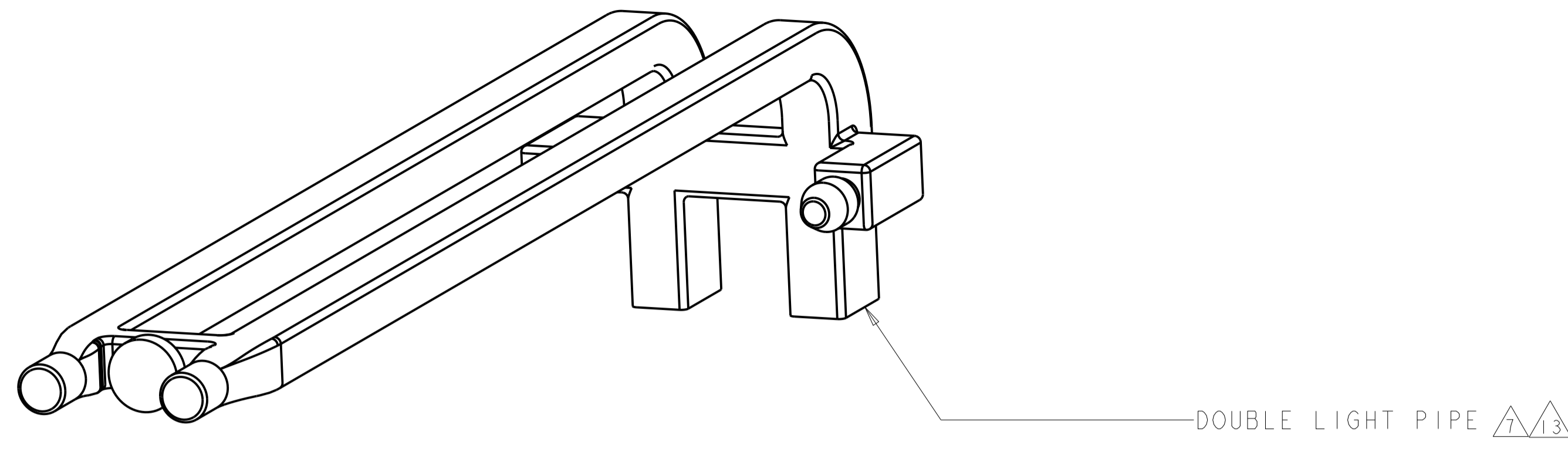


DETAIL J
 SCALE 20:1

DESCRIPTION	PART NUMBER
- NO HEAT SINK	1888971-4
13.7 PCI HEAT SINK	1888971-3
23.0 NETWORKING HEAT SINK	1888971-2
16.0 SAN HEAT SINK (SHOWN)	1888971-1

THIS DRAWING IS A CONTROLLED DOCUMENT.		OWN: C. VALENTINI 22FEB2007	TE Connectivity
DIMENSIONS: mm		CHK: E. BRIGHT 22FEB2007	
TOLERANCES UNLESS OTHERWISE SPECIFIED:		APVD: E. BRIGHT 22FEB2007	NAME: CAGE ASSEMBLY, THRU BEZEL, QSFP, W/ HEAT SINK AND DOUBLE LIGHT PIPE PRODUCT SPEC: 108-2286 APPLICATION SPEC: 114-13217
0 PLC ±0.13 2 PLC ±0.13 3 PLC ±0.13 4 PLC ±0.013 ANGLES ±0.0001		SIZE: CAGE CODE DRAWING NO: WEIGHT: A100779C=1888971	
MATERIAL: △		FINISH: △	RESTRICTED TO: -
Customer Drawing		SCALE: 4:1	SHEET 1 OF 4 REV: A2

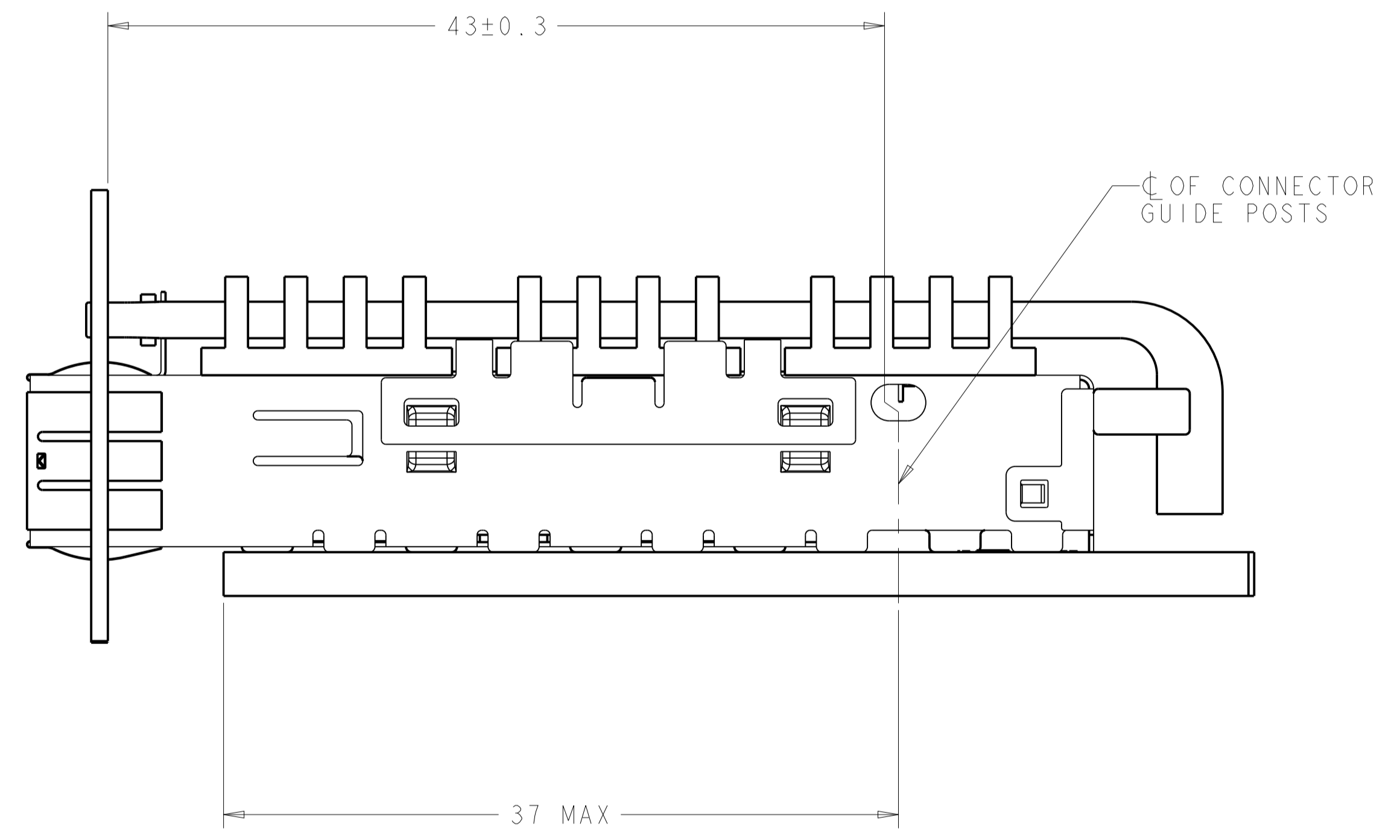
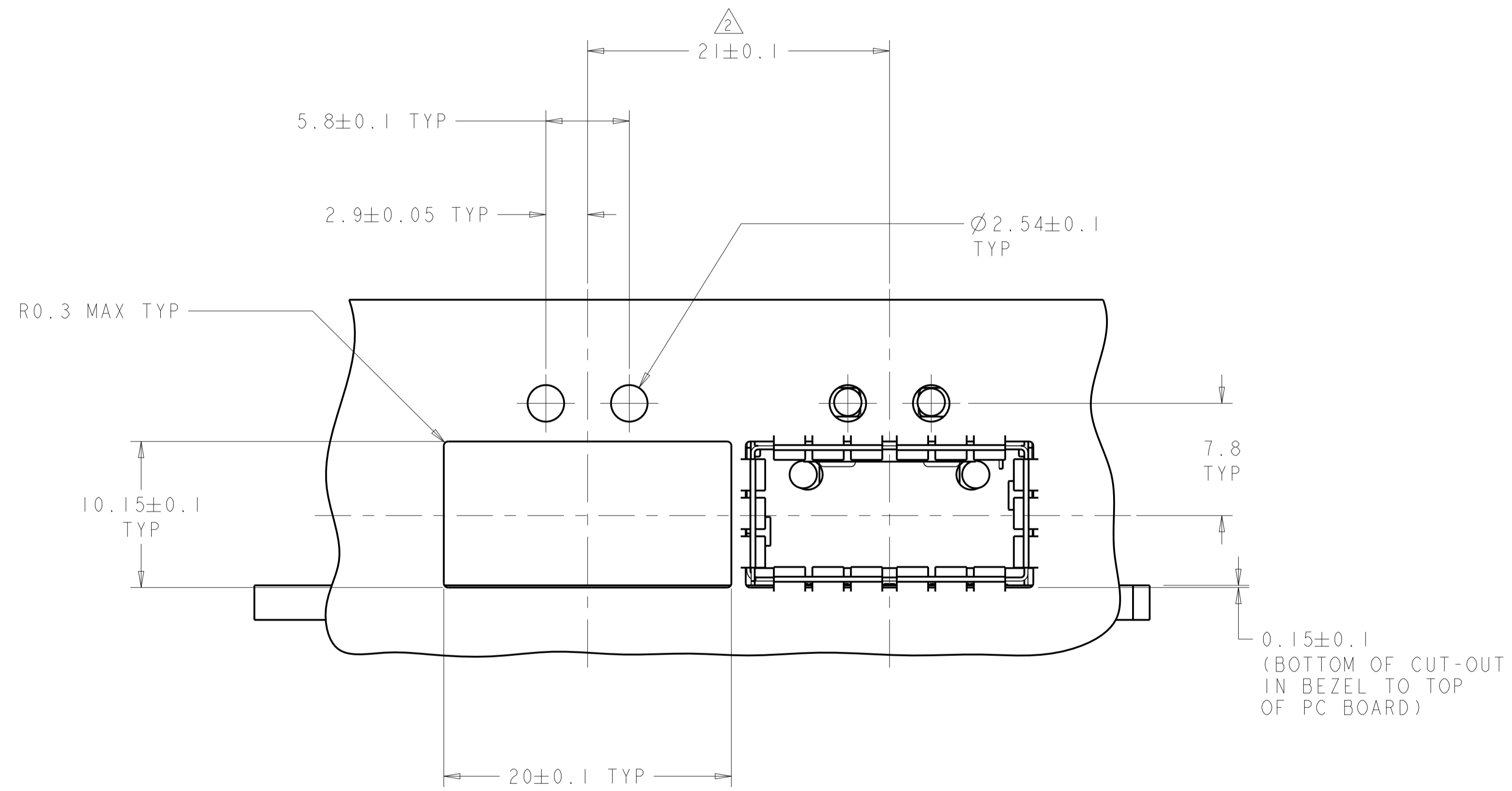
LOC		DIST		REVISONS			
GP	00	P	LTN	DESCRIPTION	DATE	DWN	APVD
		-		SEE SHEET 1	-	-	-



ISOMETRIC EXPLODED VIEW
 SCALE 6:1

THIS DRAWING IS A CONTROLLED DOCUMENT.		DWN C. VALENTINE 22FEB2007	TE Connectivity
DIMENSIONS: mm		CHK E. BRIGHT 22FEB2007	
TOLERANCES UNLESS OTHERWISE SPECIFIED: 0 PLC ± 0.13 1 PLC ± 0.13 2 PLC ± 0.13 3 PLC ± 0.13 4 PLC ± 0.013 ANGLES ± 0.0001		APVD E. BRIGHT 22FEB2007	NAME CAGE ASSEMBLY, THRU BEZEL, QSFP, W/ HEAT SINK AND DOUBLE LIGHT PIPE
		PRODUCT SPEC 108-2286	RESTRICTED TO
MATERIAL		APPLICATION SPEC 114-13217	SIZE CAGE CODE DRAWING NO A100779C=1888971
FINISH		WEIGHT	Customer Drawing
		SCALE 4:1	SHEET 2 OF 4 REV A2

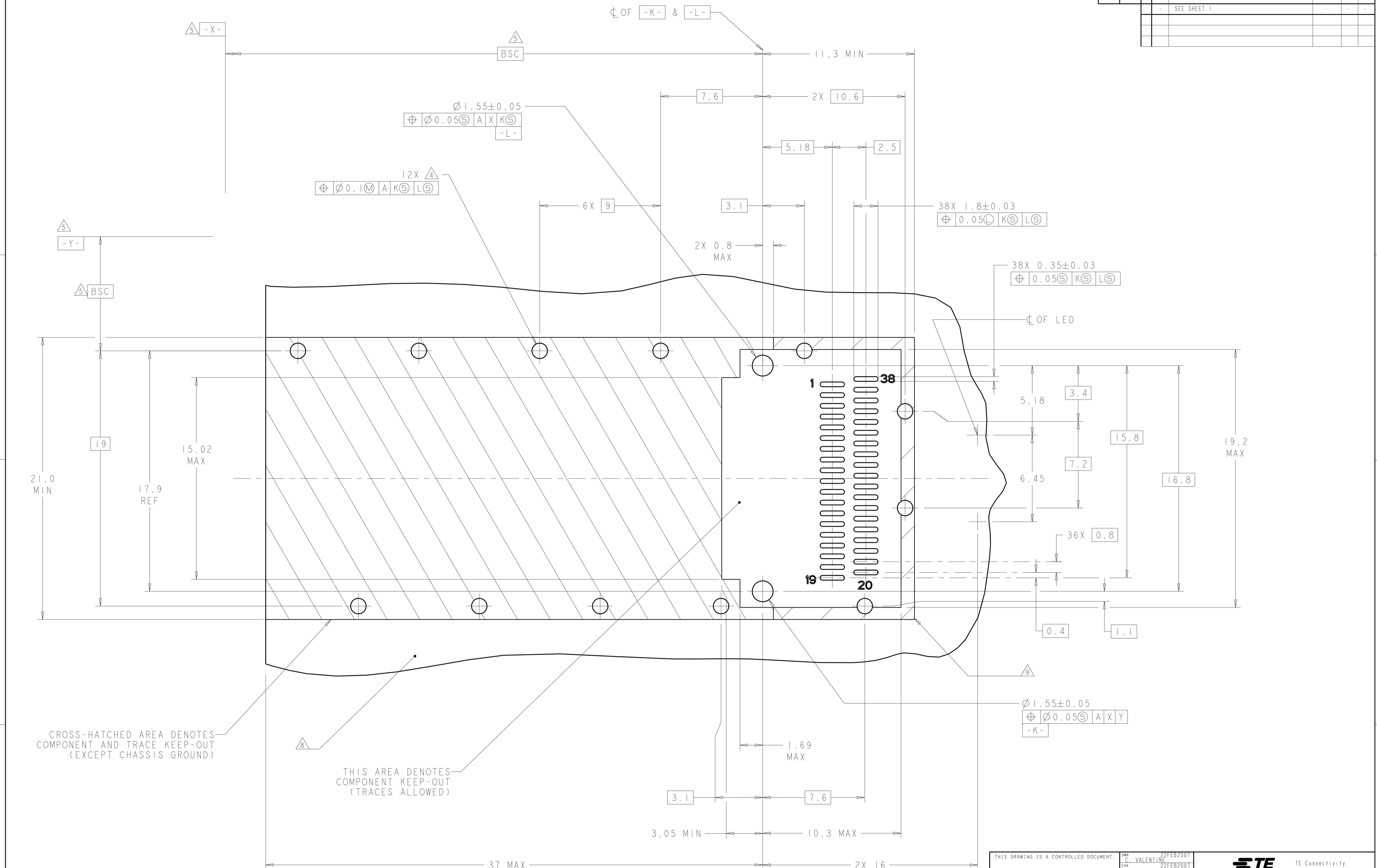
LOC	DIST	REVISIONS					
		P	LTN	DESCRIPTION	DATE	DWN	APVD
GP	00	-	-	SEE SHEET 1	-	-	-



THIS DRAWING IS A CONTROLLED DOCUMENT.		DWN C. VALENTINE 22FEB2007	TE Connectivity
DIMENSIONS: mm		CHK E. BRIGHT 22FEB2007	
TOLERANCES UNLESS OTHERWISE SPECIFIED:		APVD E. BRIGHT 22FEB2007	NAME CAGE ASSEMBLY, THRU BEZEL, QSFP, W/ HEAT SINK AND DOUBLE LIGHT PIPE
0 PLC	±0.13	PRODUCT SPEC	108-2286
1 PLC	±0.13	APPLICATION SPEC	114-13217
2 PLC	±0.13	WEIGHT	-
3 PLC	±0.013	RESTRICTED TO	-
4 PLC	±0.001	SCALE	4:1
ANGLES	±0.0001	SHEET	3 OF 4
MATERIAL	-	Customer Drawing	REV A2
FINISH	-	Customer Drawing	REV A2

LOC	DIST	REV	DATE	BY	APPV
GP	00				

REVISIONS					
REV	DATE	BY	APPV	DESCRIPTION	
-	-	-	-	SEE SHEET 1	



CROSS-HATCHED AREA DENOTES COMPONENT AND TRACE KEEP-OUT (EXCEPT CHASSIS GROUND)

THIS AREA DENOTES COMPONENT KEEP-OUT (TRACES ALLOWED)

RECOMMENDED PC BOARD LAYOUT
 SCALE 8:1

THIS DRAWING IS A CONTROLLED DOCUMENT.		OWN: C. VALENTINE 22FEB2007	TE Connectivity
DIMENSIONS: mm		CHK: E. BRIGHT 22FEB2007	
TOLERANCES UNLESS OTHERWISE SPECIFIED:		APVD: E. BRIGHT 22FEB2007	NAME: CAGE ASSEMBLY, THRU BEZEL, QSFP, W/ HEAT SINK AND DOUBLE LIGHT PIPE
0 PLC	±0.13	PRODUCT SPEC	108-2286
2 PLC	±0.13	APPLICATION SPEC	114-13217
3 PLC	±0.13	WEIGHT	A100779C=1888971
4 PLC	±0.013	Customer Drawing	SCALE 4:1 SHEET 4 OF 4 REV A2
ANGLES	±0.0001		
FINISH			

X-ON Electronics

Largest Supplier of Electrical and Electronic Components

Click to view similar products for [I/O Connectors](#) category:

Click to view products by [TE Connectivity](#) manufacturer:

Other Similar products are found below :

[571763P](#) [58098-0628](#) [72.250.1628.2](#) [72.250.2428.2](#) [74720-0505](#) [76.350.0729.0](#) [76871-1403](#) [FCN-244F080-G/1](#) [FCN-260A9920](#) [PCR-E36PM](#) [PCS-XE26MA+](#) [G38A71314B](#) [1571250010](#) [157-22500-3](#) [MS3471L14-19P L/C](#) [172501-4002](#) [172501-6002](#) [FCN-260C008-A/L0](#) [FCN-260C024-AL0](#) [FCN-261Z008](#) [2000314-1](#) [200331-1](#) [PCR-E36FC+](#) [PCS-E28FS+](#) [PCS-XE26SLFD+](#) [PCS-XE26SLFDT+](#) [G730VID08BDC24](#) [U90B2054081210](#) [38113800006](#) [DP3AR020WQ1R200](#) [Z4.102.0680.0](#) [500-1040](#) [500-1052](#) [500-1054](#) [ZP-4008-66L](#) [0709821002](#) [DX40-20P\(55\)](#) [5554841-1](#) [MS3474W18-8P-LC*](#) [U90B3054061110](#) [U65-E04-4020](#) [ZPF000000000097891](#) [747360449](#) [10099439-003C-TRLF](#) [10137239-0021LF](#) [E9320-001-01](#) [10137239-0011LF](#) [70289-001LF](#) [70.060.1028.0](#) [109029-ZZ](#)