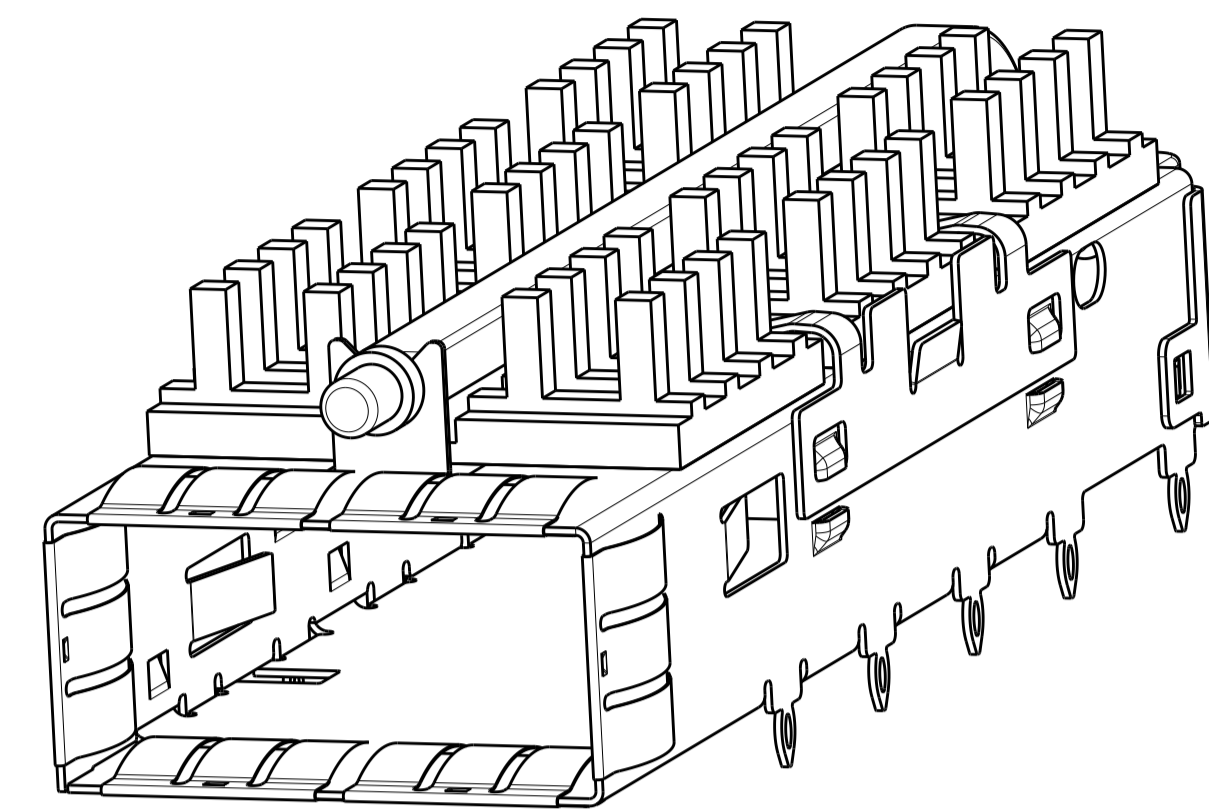
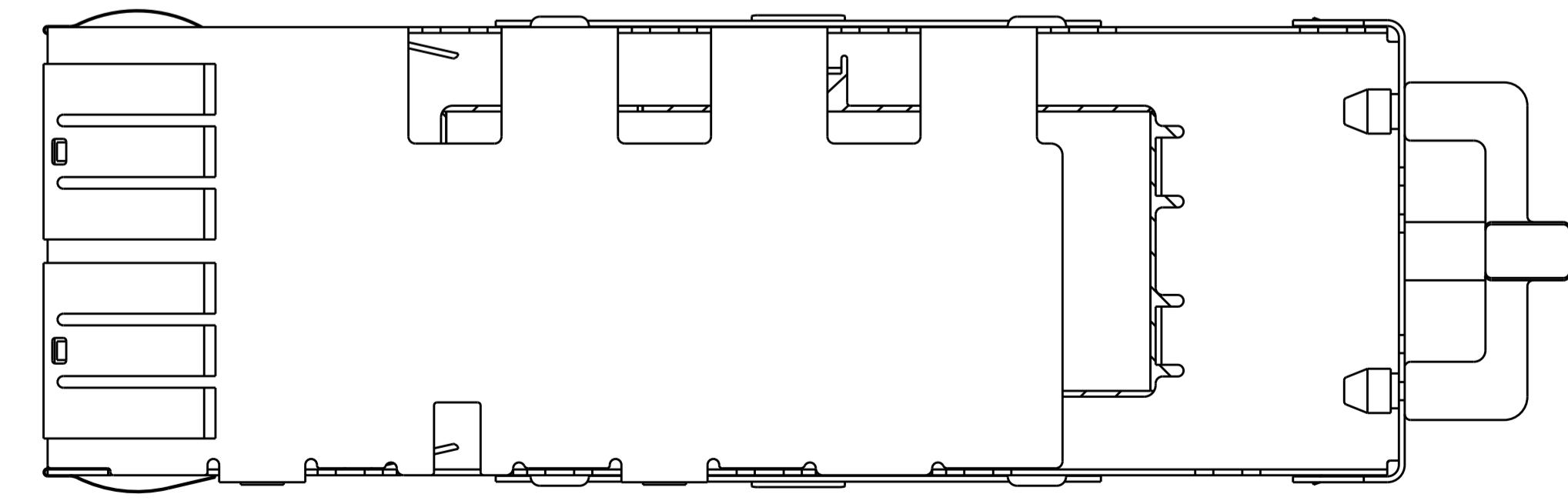
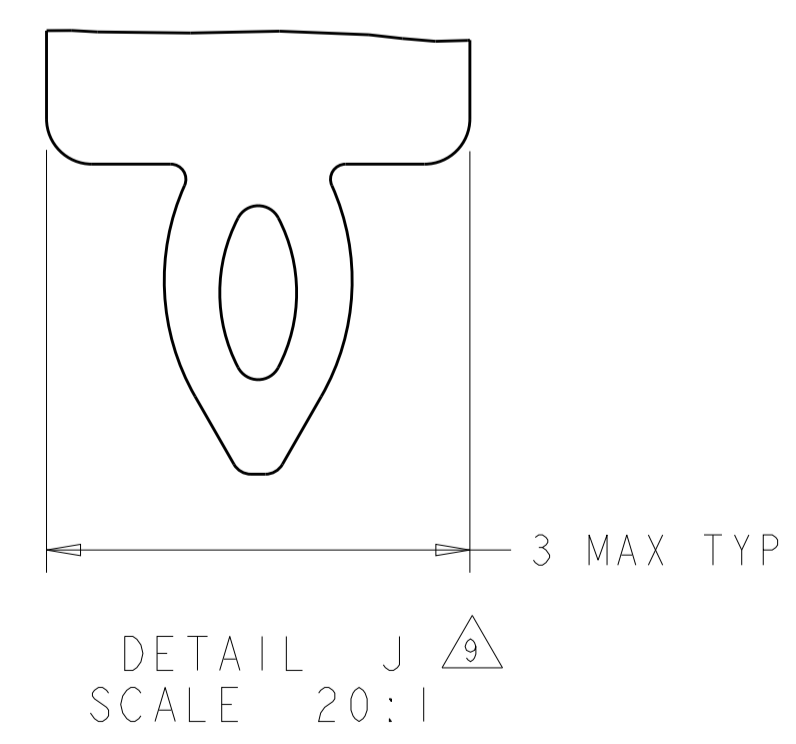
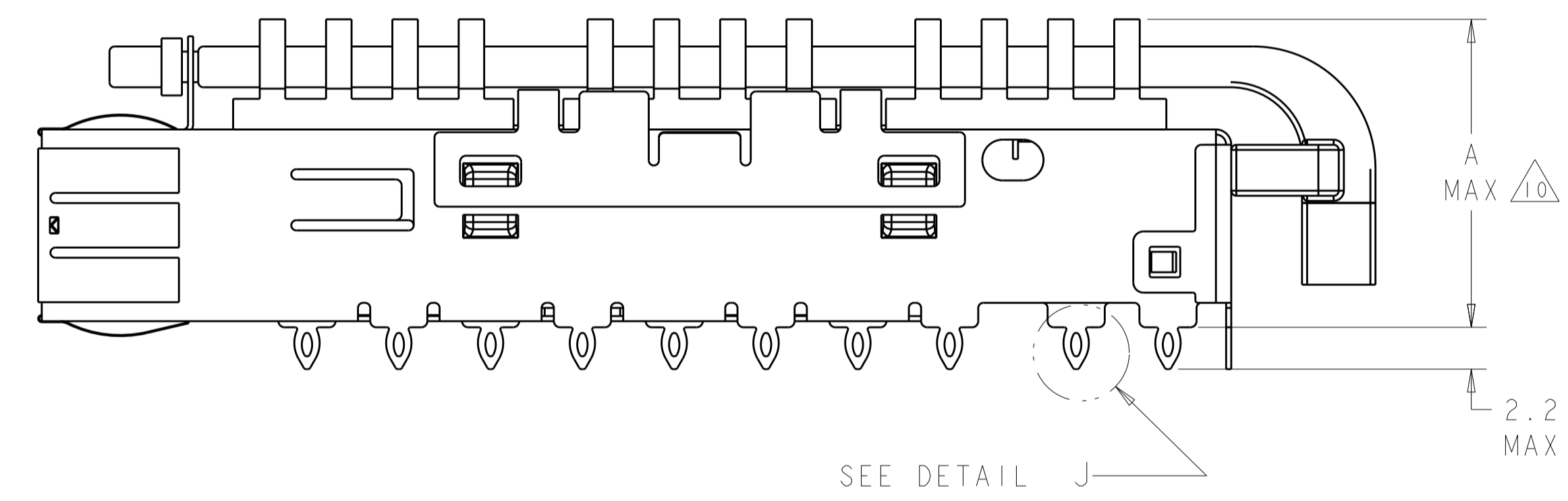
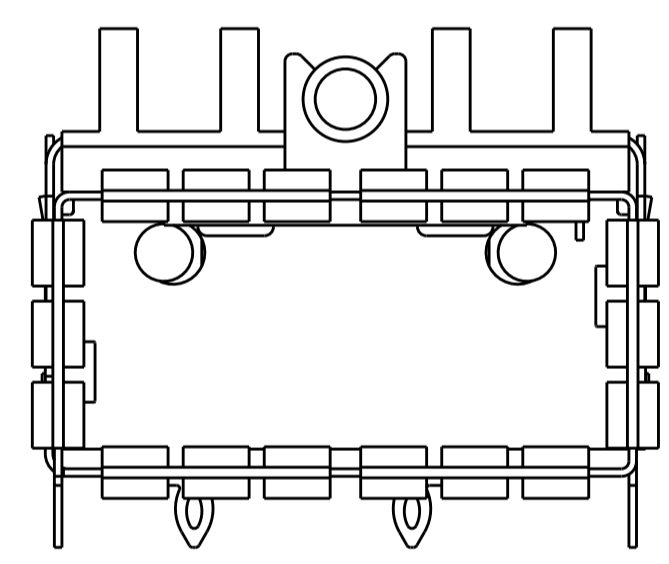
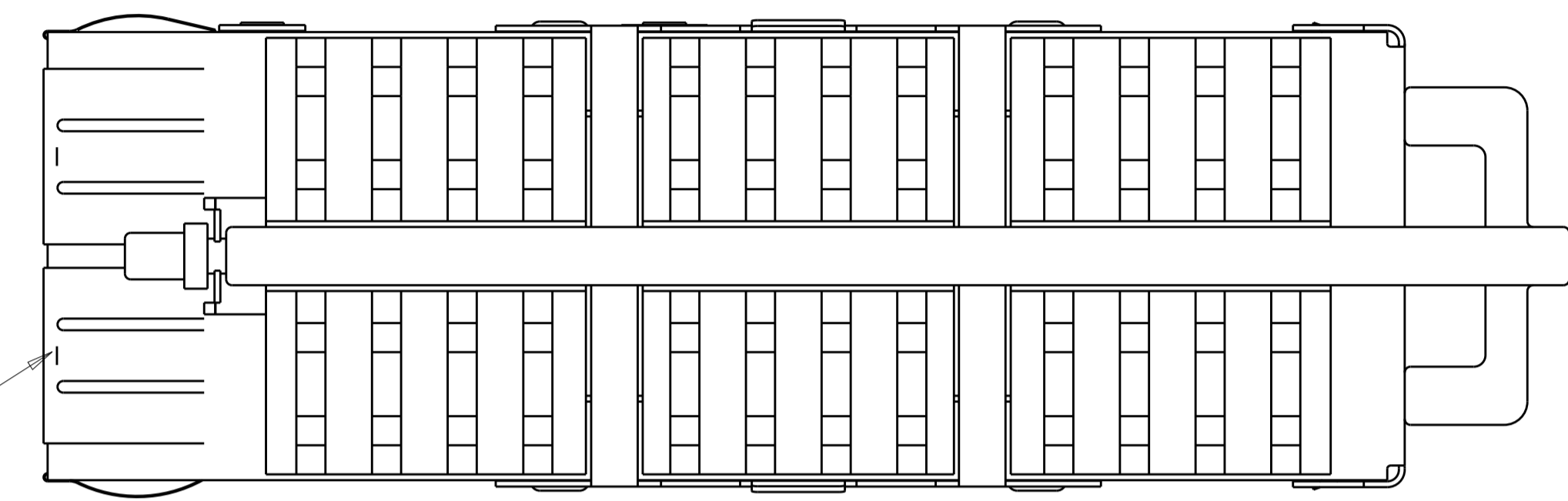


REVISIONS				
P.	LTN	DESCRIPTION	DATE	OWN APVD
B		REV PER ECO-09-020440	11SEP2009	CR JP
BI		REVISE PER ECR-15-013438	11SEP2015	RG SH



Sn42Bi58 SOLDER
6 PLACES

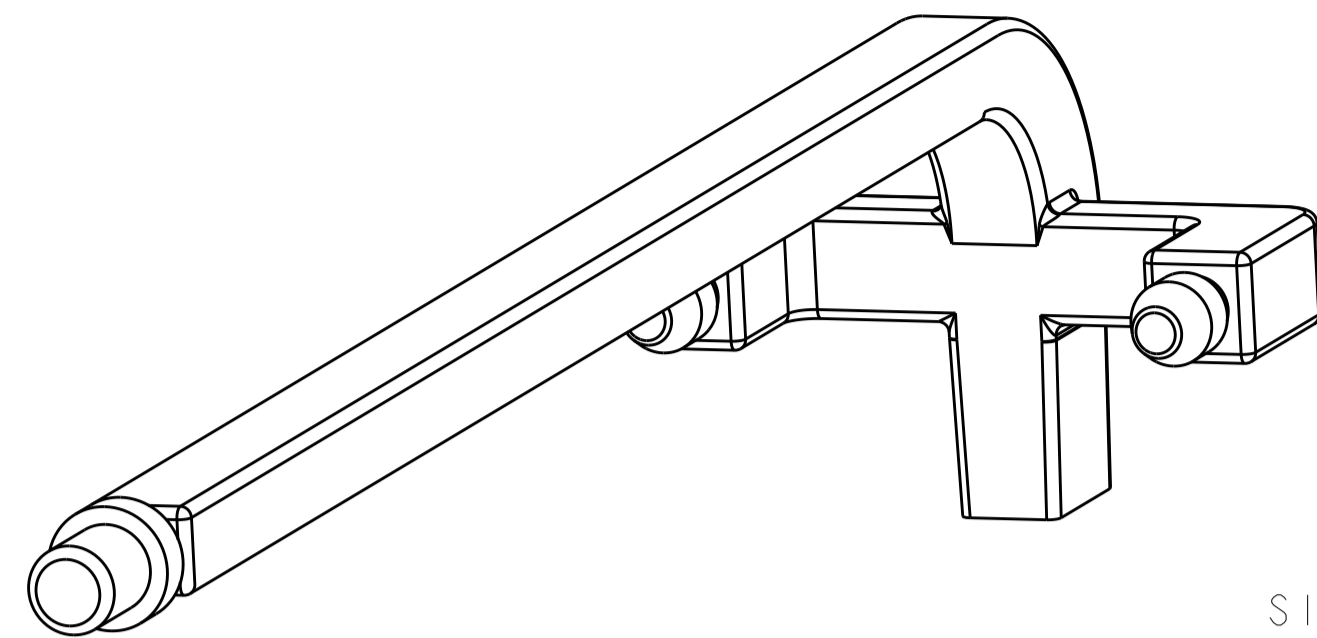


- 1. CAGE MATERIAL: NICKEL SILVER, 0.25 THICK
 HEAT SINK MATERIAL: ALUMINUM
 HEAT SINK CLIP MATERIAL: STAINLESS STEEL
 LIGHT PIPE MATERIAL: CLEAR POLYCARBONATE, UL-94V-0 RATED.
 EMI SPRING MATERIAL: COPPER ALLOY
- 2. MINIMUM PITCH DIMENSION.
- 3. MATES WITH QSFP MSA COMPATIBLE TRANSCEIVER.
- 4. REFERENCE APPLICATION SPEC 114-13217 FOR RECOMMENDED DRILL HOLE DIAMETER AND PLATING THICKNESS.
- 5. DATUMS AND BASIC DIMENSIONS ESTABLISHED BY CUSTOMER.
- 6. MINIMUM PC BOARD THICKNESS:
 SINGLE SIDED = 1.45mm (shown, pg. 4)
 DOUBLE SIDED = 2.2mm
- 7. HEAT SINK, CLIP, AND LIGHT PIPE SHIPPED ASSEMBLED TO CAGE ASSEMBLY. CAGE ASSEMBLY MAY BE PRESSED INTO THE PCB AS SHIPPED.
- 8. DATUM -A- IS TOP SURFACE OF HOST BOARD.
- 9. SURFACE TRACES PERMITTED WITHIN THIS AREA EXCEPT WHERE CAGE STANDOFFS, SHOWN IN DETAIL J, CONTACT PC BOARD.
- 10. DIMENSION APPLIES WITH MODULE INSTALLED IN THE CAGE TO TOP OF HEAT SINK.
- 11. MAXIMUM HEIGHT OF CUSTOMER SUPPLIED LED OFF PC BOARD: 1.70mm.
- 12. DATE CODE (YYWW) MARKED ON TOP OF CAGE AND CONCEALED BY HEAT SINK APPLIES TO CAGE ASSEMBLY ONLY.
- 13. SPRING FINISH: 0.8µm MIN TIN OVER 0.8µm MIN NICKEL. NON-PLATED EDGES PERMISSIBLE.
- 14. HEAT SINK AND CLIP SHIPPED ASSEMBLED TO CAGE ASSEMBLY. CAGE ASSEMBLY MAY BE PRESSED INTO THE PCB AS SHIPPED. LIGHT PIPE MUST BE ASSEMBLED BY CUSTOMER AFTER THE CAGE IS SEATED ON THE PCB.

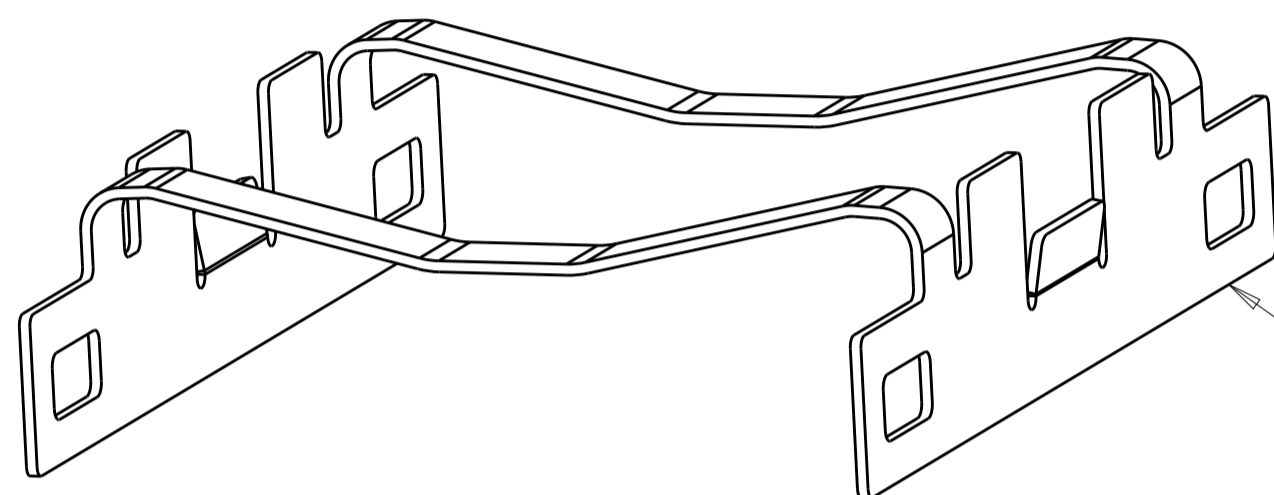
13.7	PCI HEAT SINK	1888972-3
23.0	NETWORKING HEAT SINK	1888972-2
16.0	SAN HEAT SINK (SHOWN)	1888972-1
A	DESCRIPTION	PART NUMBER

THIS DRAWING IS A CONTROLLED DOCUMENT.		OWN: C. VALENTINE 09MAR2007	TE Connectivity
DIMENSIONS: mm		CHK: E. BRIGHT 09MAR2007	
TOLERANCES UNLESS OTHERWISE SPECIFIED:		APVD: E. BRIGHT 09MAR2007	NAME: CAGE ASSEMBLY, THRU BEZEL, QSFP, W/ HEAT SINK AND SINGLE LIGHT PIPE PRODUCT SPEC: 108-2286 APPLICATION SPEC: 114-13217
0 PLC ±.5 2 PLC ±0.13 3 PLC ±0.013 4 PLC ±0.001 ANGLES ±.1		SIZE: CAGE CODE DRAWING NO WEIGHT: - CUSTOMER DRAWING	
MATERIAL: TBD		FINISH: 13	RESTRICTED TO: - A100779C=1888972 SCALE 4:1 SHEET 1 OF 4 REV BI

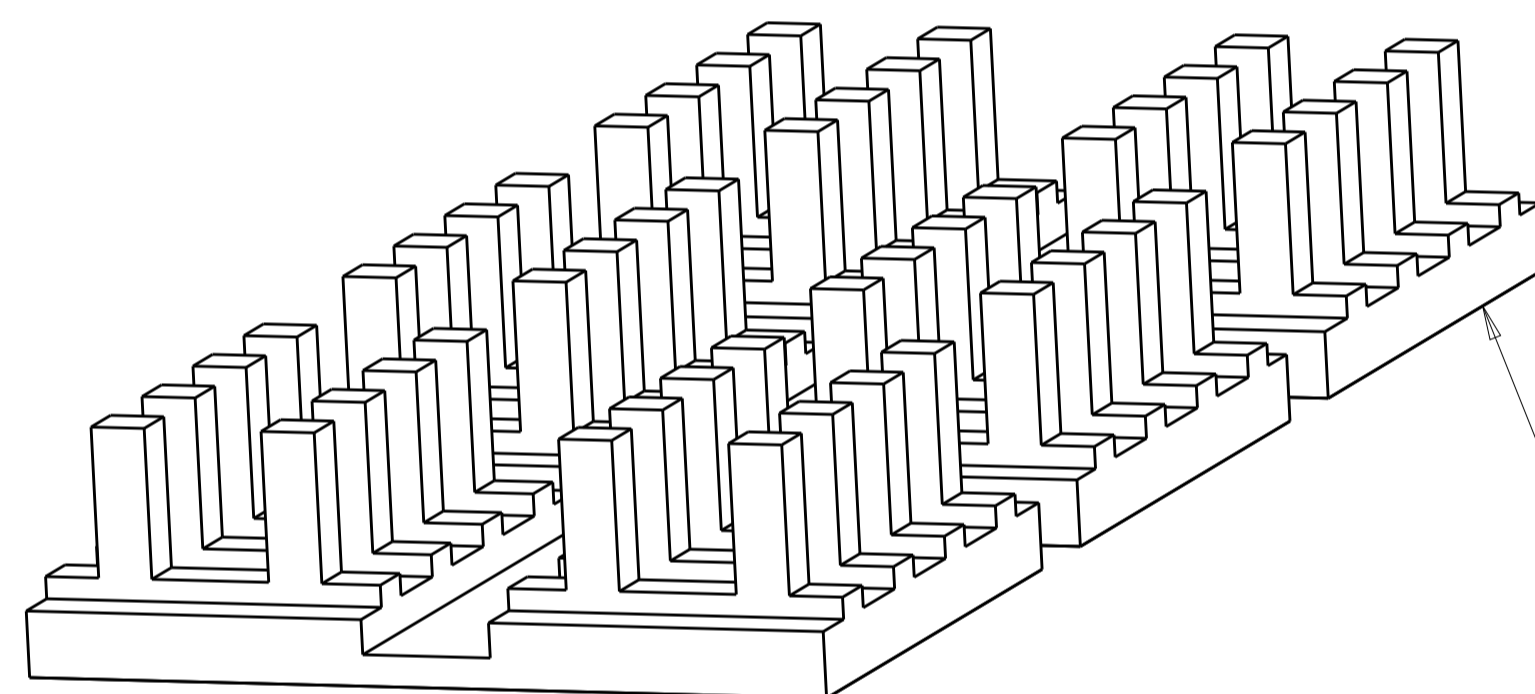
REVISIONS				
P.	LTN	DESCRIPTION	DATE	OWN APVD
-	-	SEE SHEET 1	-	-



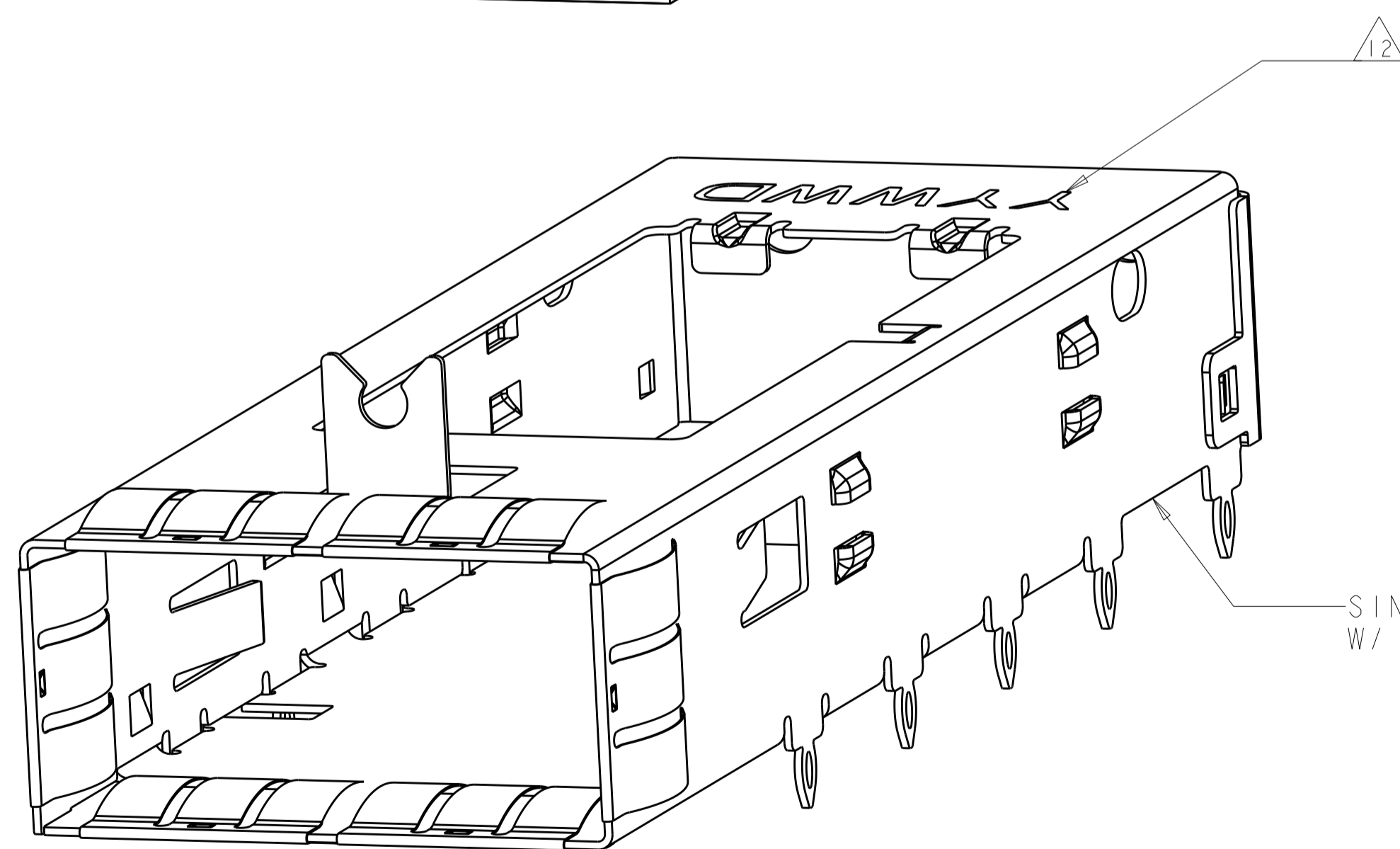
SINGLE LIGHT PIPE $\nabla 15$



HEAT SINK CLIP $\nabla 15$



HEAT SINK $\nabla 15$

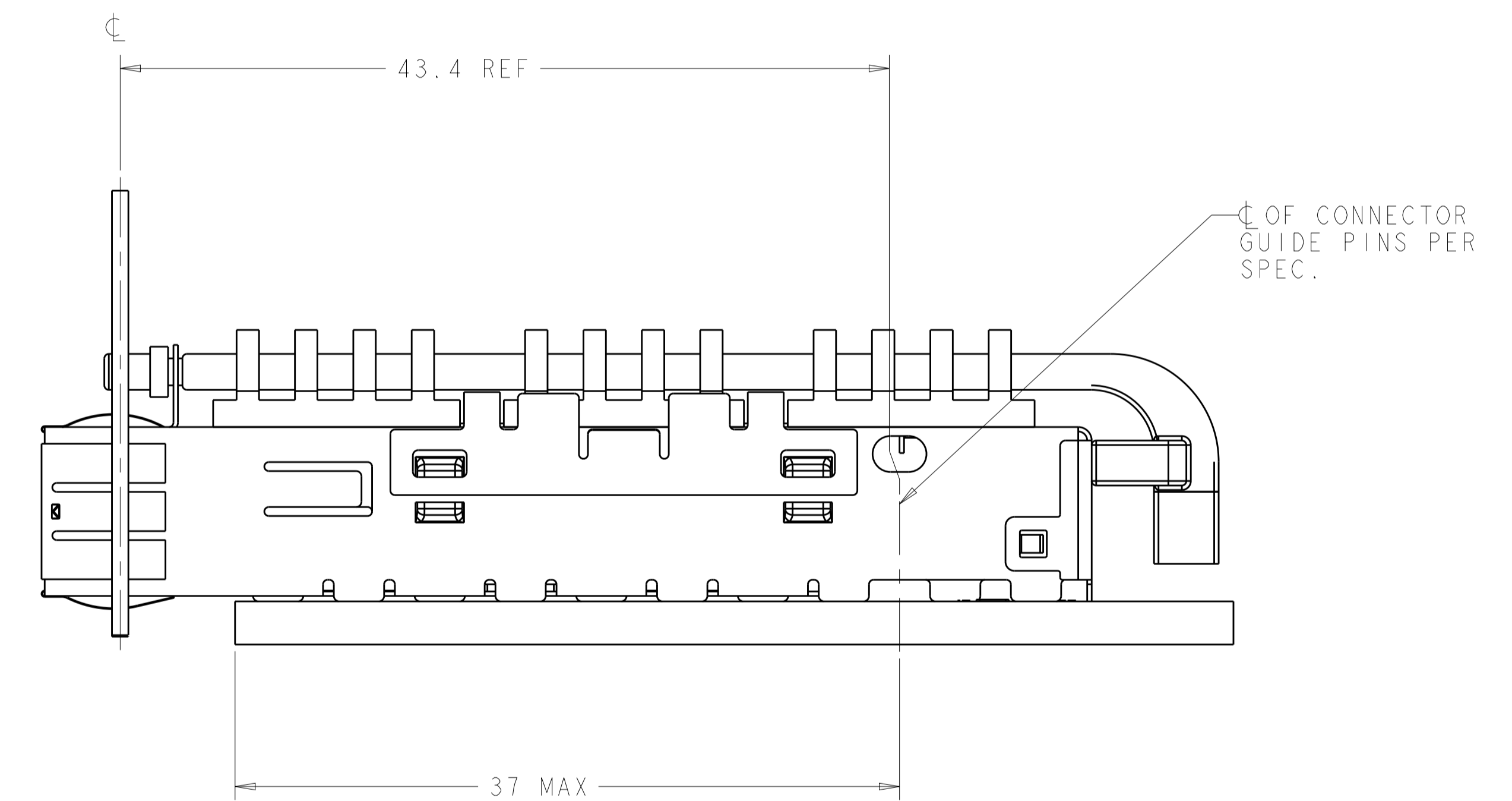
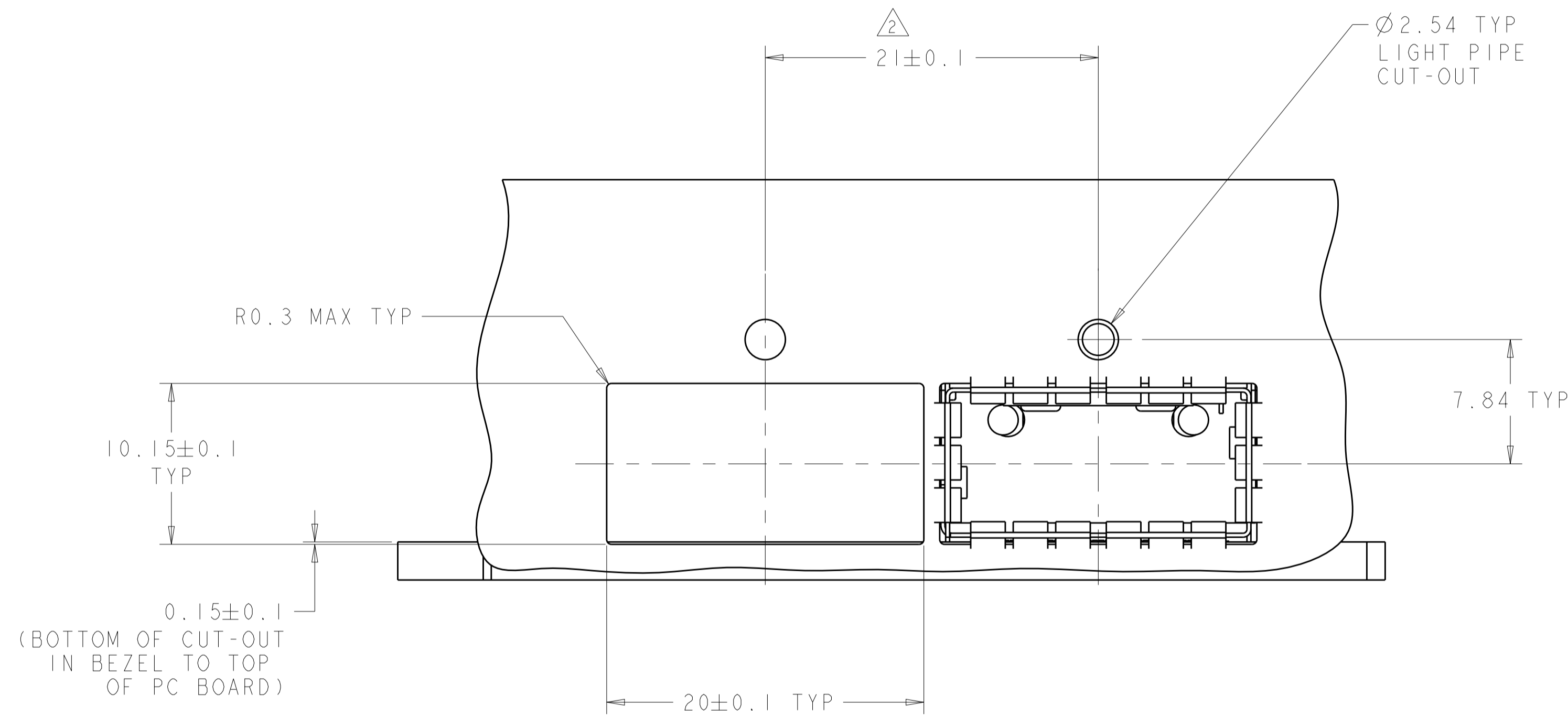


SINGLE QSFP CAGE
W/ LIGHT PIPE HOLDER $\nabla 12$

EXPLODED ISOMETRIC VIEW
SCALE 6:1

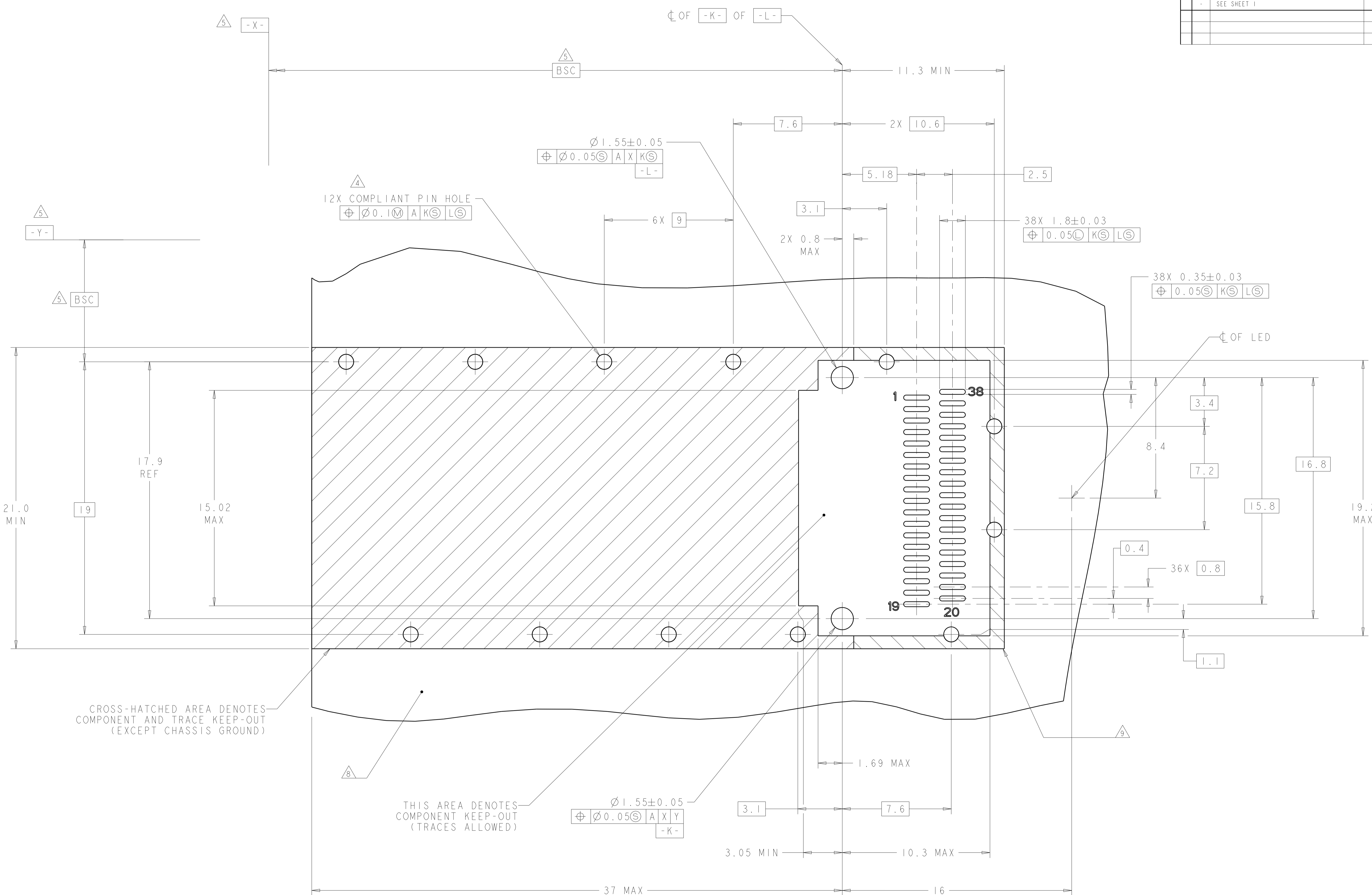
THIS DRAWING IS A CONTROLLED DOCUMENT.		OWN C. VALENTINE 09MAR2007	TE Connectivity
DIMENSIONS: mm		CHK E. BRIGHT 09MAR2007	
TOLERANCES UNLESS OTHERWISE SPECIFIED:		APVD E. BRIGHT 09MAR2007	NAME CAGE ASSEMBLY, THRU BEZEL, QSFP, W/ HEAT SINK AND SINGLE LIGHT PIPE
0 PLC	±	PRODUCT SPEC	108-2286
1 PLC	±0.5	APPLICATION SPEC	114-13217
2 PLC	±0.13	WEIGHT	-
3 PLC	±0.013	CUSTOMER DRAWING	SCALE 4:1 SHEET 2 OF 4 REV B1
4 PLC	±0.001		
ANGLES	±		
MATERIAL	TBD		
FINISH	-		

REVISIONS				
P.	LTN.	DESCRIPTION	DATE	OWN. APVD.
-	-	SEE SHEET 1	-	-



THIS DRAWING IS A CONTROLLED DOCUMENT.		OWN: C. VALENTINE 09MAR2007	TE Connectivity
DIMENSIONS: mm		CHK: E. BRIGHT 09MAR2007	
TOLERANCES UNLESS OTHERWISE SPECIFIED:		APVD: E. BRIGHT 09MAR2007	NAME: CAGE ASSEMBLY, THRU BEZEL, QSFP, W/ HEAT SINK AND SINGLE LIGHT PIPE
0 PLC	±	PRODUCT SPEC	SIZE: CAGE CODE DRAWING NO
1 PLC	±0.5	108-2286	A100779C=1888972
2 PLC	±0.13	APPLICATION SPEC	RESTRICTED TO
3 PLC	±0.013	114-13217	SCALE: 4:1 SHEET 3 OF 4 REV: B1
4 PLC	±0.001	WEIGHT: -	
ANGLES	±	CUSTOMER DRAWING	
MATERIAL: TBD	FINISH: -		

REVISIONS				
P.	LTN	DESCRIPTION	DATE	APP'D
-	SEE SHEET 1		-	-



CROSS-HATCHED AREA DENOTES COMPONENT AND TRACE KEEP-OUT (EXCEPT CHASSIS GROUND)

THIS AREA DENOTES COMPONENT KEEP-OUT (TRACES ALLOWED)

RECOMENDED PC BOARD LAYOUT
 SCALE 8:1

THIS DRAWING IS A CONTROLLED DOCUMENT.		DWN: C. VALENTINE 09MAR2007 CHK: E. BRIGHT 09MAR2007 APVD: E. BRIGHT 09MAR2007		TE Connectivity NAME: CAGE ASSEMBLY, THRU BEZEL, QSFP, W/ HEAT SINK AND SINGLE LIGHT PIPE PRODUCT SPEC: 108-2286 APPLICATION SPEC: 114-13217 WEIGHT: - SIZE: CAGE CODE DRAWING NO: A100779C=1888972 RESTRICTED TO: -
DIMENSIONS: mm TOLERANCES UNLESS OTHERWISE SPECIFIED: 0 PLC ± 1 PLC ±0.5 2 PLC ±0.13 3 PLC ±0.013 4 PLC ±0.001 ANGLES ±		MATERIAL: TBD FINISH: -		
MATERIAL: TBD FINISH: -		WEIGHT: - SIZE: CAGE CODE DRAWING NO: A100779C=1888972 RESTRICTED TO: -		
MATERIAL: TBD FINISH: -		WEIGHT: - SIZE: CAGE CODE DRAWING NO: A100779C=1888972 RESTRICTED TO: -		
CUSTOMER DRAWING				SCALE: 4:1 SHEET: 4 OF 4 REV: B1

X-ON Electronics

Largest Supplier of Electrical and Electronic Components

Click to view similar products for [I/O Connectors](#) category:

Click to view products by [TE Connectivity](#) manufacturer:

Other Similar products are found below :

[571763P](#) [72.250.1628.2](#) [72.250.2428.2](#) [74720-0505](#) [76.350.0729.0](#) [76871-1403](#) [FCN-244F080-G/1](#) [FCN-260A9920](#) [MP-5T180MUNNA-005](#)
[PCR-E36PM](#) [PCS-XE26MA+](#) [G38A71314B](#) [1571250010](#) [157-22500-3](#) [MS3471L14-19P L/C](#) [91-569786-35H](#) [172501-4002](#) [172501-6002](#)
[FCN-260C008-A/L0](#) [FCN-260C024-AL0](#) [FCN-261Z008](#) [2000314-1](#) [200331-1](#) [PCR-E36FC+](#) [PCS-E28FS+](#) [PCS-XE26SLFD+](#) [PCS-](#)
[XE26SLFDT+](#) [G730VID08BDC24](#) [U90B2054081210](#) [UE86K842720321](#) [38113800006](#) [DP3AR020WQ1R200](#) [Z4.102.0680.0](#) [500-1040](#)
[500-1052](#) [500-1054](#) [ZP-4008-66L](#) [0709821002](#) [10-565995-597N](#) [DX40-20P\(55\)](#) [5554841-1](#) [U90B3054061110](#) [U65-E04-4020](#)
[ZPF00000000097891](#) [557-262M2-06C](#) [747360449](#) [10099439-003C-TRLF](#) [10137239-0021LF](#) [E9320-001-01](#) [10137239-0011LF](#)