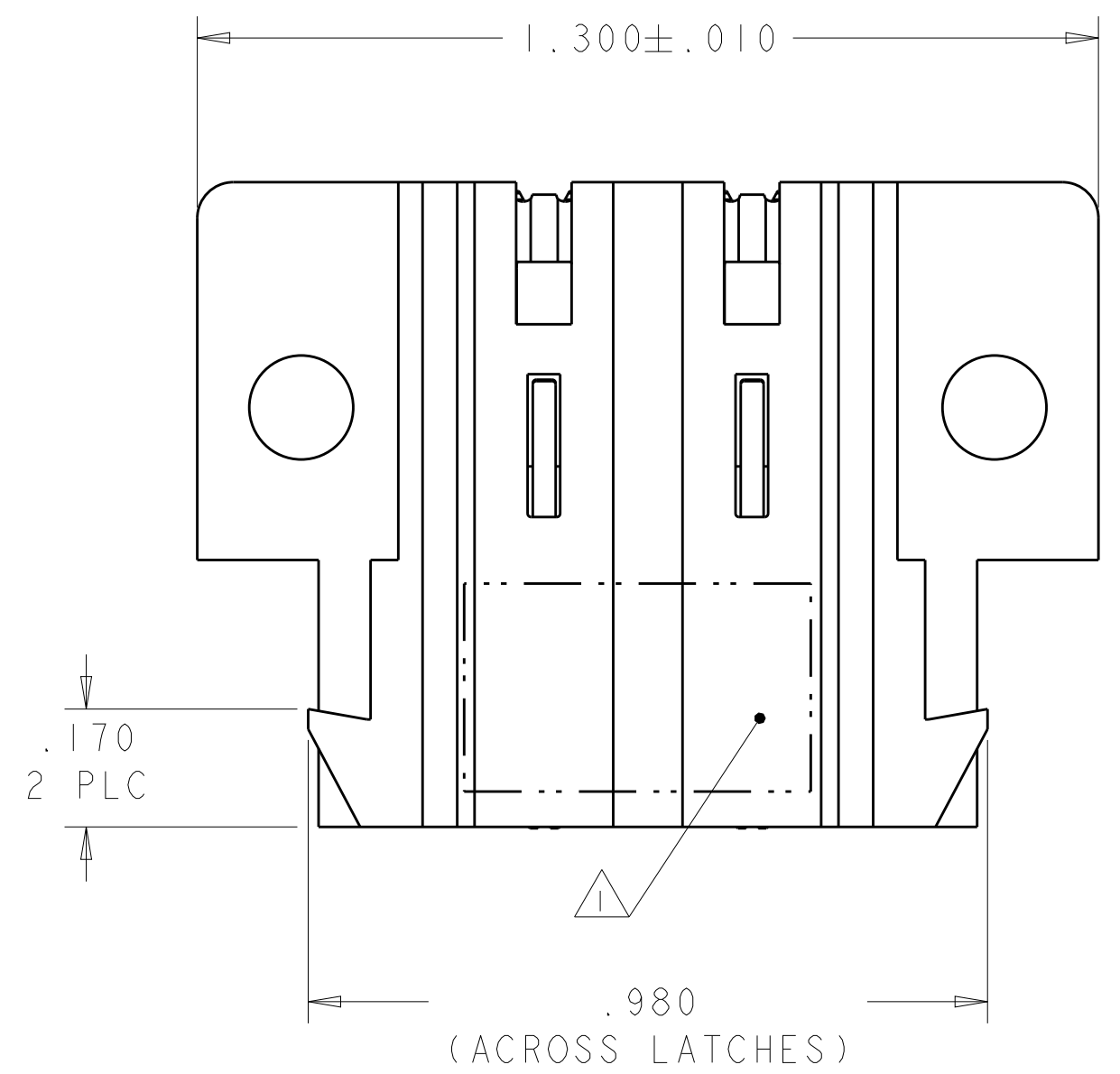
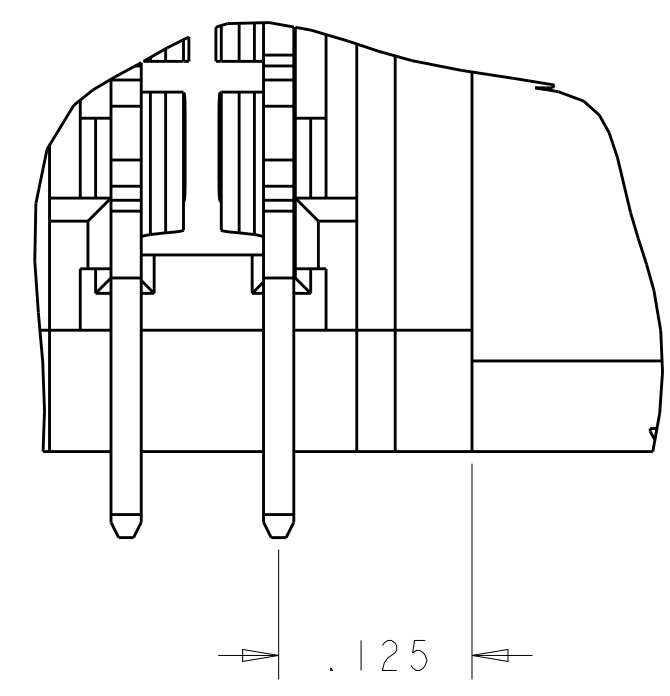
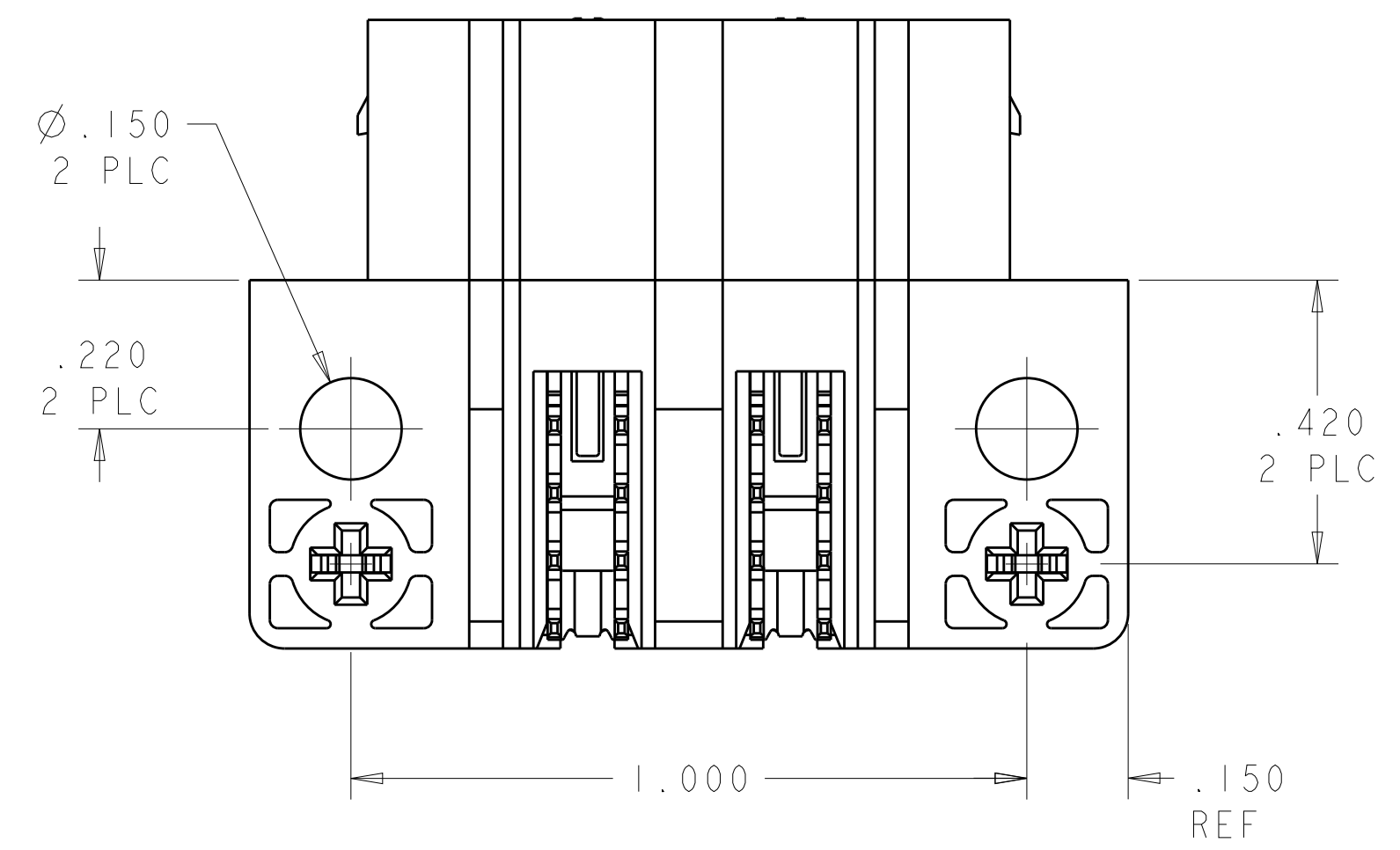
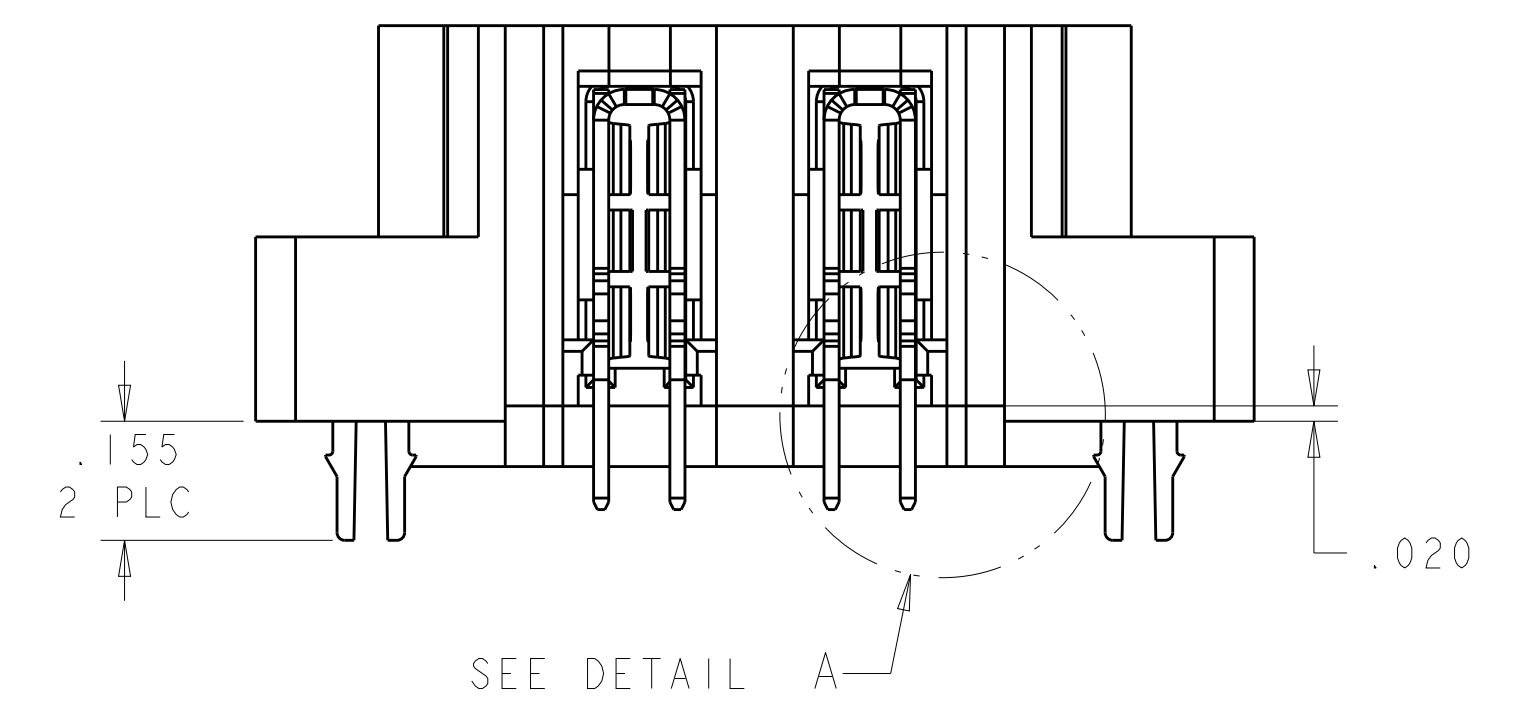
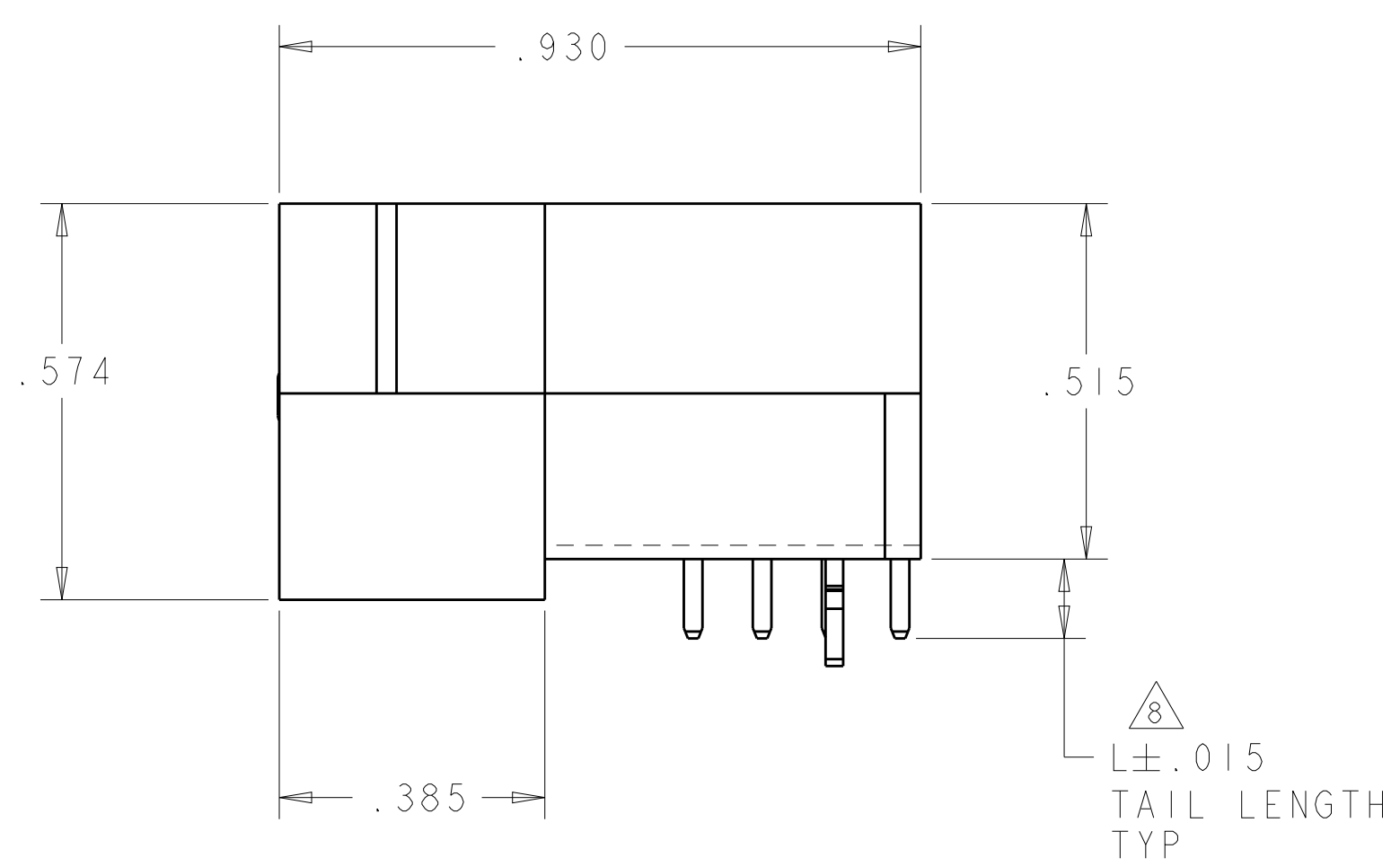
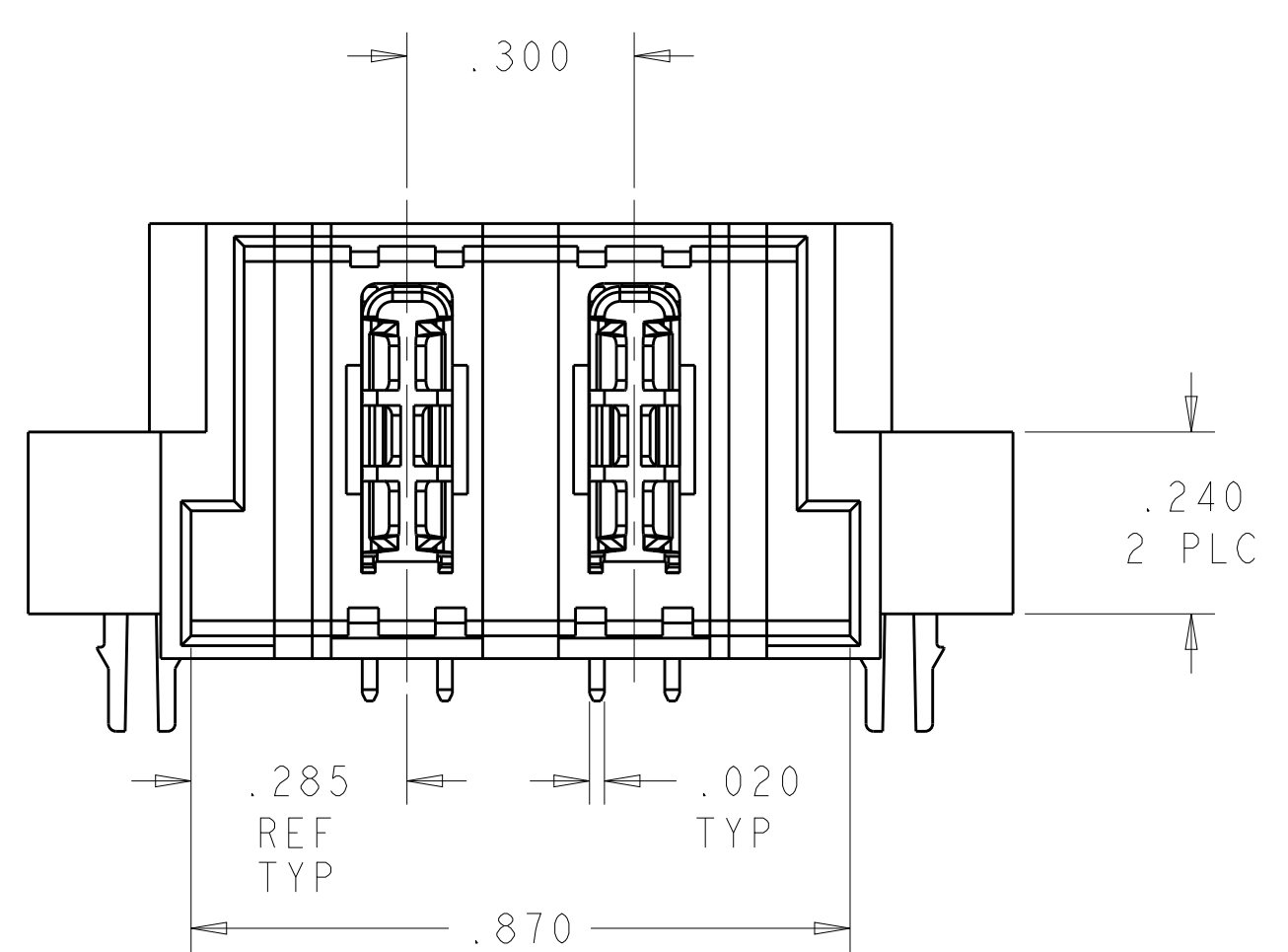


LOC	DIST	REVISIONS					
		P	LTN	DESCRIPTION	DATE	DWN	APVD
ES	00	D1		REV PER ECR-12-011257	01JUN2012	ML	SZ



- 1 "AMP" PART NUMBER AND DATE CODE TO BE MARKED IN AREA SHOWN. PARTS UNDER 2.00 INCHES LONG MAY BE MARKED ON BOTH SIDES.
- 2 MATERIAL: HOUSING - GLASS FILLED HIGH TEMP THERMO PLASTIC, UL 94 V-0
 POWER CONTACT - HIGH CONDUCTIVITY COPPER ALLOY.
- 3 CONTACT PLATING: NOBLE METAL PLATING ON CONTACT FUNCTIONAL AREA OF POWER AND SIGNAL CONTACTS.
- 4 MECHANICAL CONNECTOR KEEP OUT ZONE. WHEN PLACING CONNECTORS END-TO-END, ALLOW ADDITIONAL 0.1 CLEARANCE BETWEEN CONNECTORS FOR LATCH ACTIVATION.
- 5 DATUM AND BASIC DIMENSIONS ESTABLISHED BY CUSTOMER.
- 6 PCB - ALL HOLE DIAMETERS ARE FINISHED HOLE SIZES.
- 7 PCB - .0453 ± .0010 DRILLED HOLES PLATED WITH .0003 MIN Sn OVER .001 TO .003 Cu PLATING TO ACHIEVE A .040 DIA HOLE.
- 8 THIS TAIL LENGTH REFLECTS THE .020 HOUSING STAND-OFFS ON EACH END.



DETAIL A
 SCALE 8:1

PACKING TYPE	DESCRIPTION	PART NUMBER
TRAY	2ACP	1892109-6
TAPE & REEL	2ACP	1892109-5
TAPE & REEL	2ACP	1892109-3
TRAY	2ACP	1892109-1

THIS DRAWING IS A CONTROLLED DOCUMENT. DWN: CECILY.ZHOU 23MAR2006
 CHK: SUNY.ZHAO 23MAR2006
 APVD: SUNY.ZHAO

STE TE Connectivity

NAME: RIGHT ANGLE HEADER ASSEMBLY W/ END LATCHES W/HIGH DURABILITY POWER CONTACT MULTI-BEAM XL

PRODUCT SPEC: 108-1973
 APPLICATION SPEC: 114-13038

SIZE: 114-13038
 WEIGHT: -
 CUSTOMER DRAWING

SCALE: 4:1 SHEET 1 OF 2 REV D2

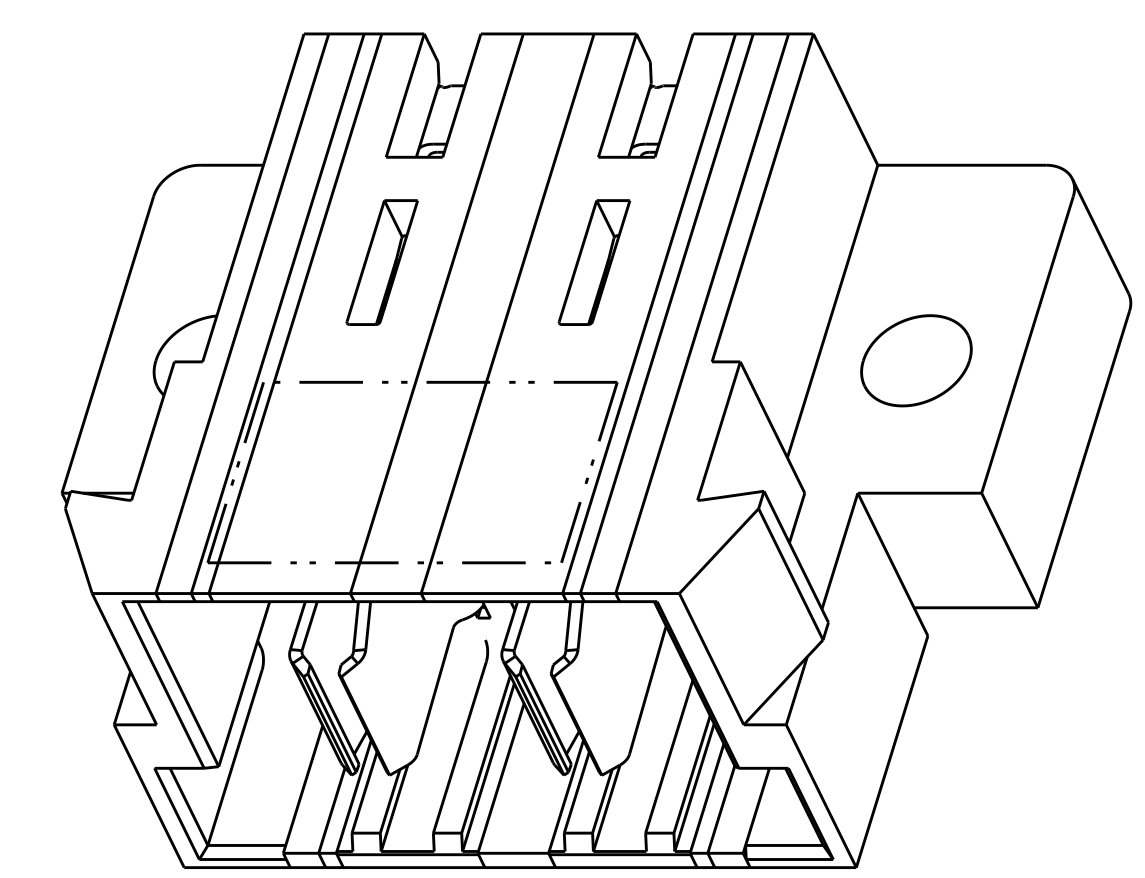
LOC		DIST		REVISIONS			
ES	00	P	LTN	DESCRIPTION	DATE	DWN	APVD
		-		SEE SHEET 1			

PART NUMBER	ROWS	POWER	
		P1	P2
1892109-1	D C B A	TM	TM
2ACP		HD	HD

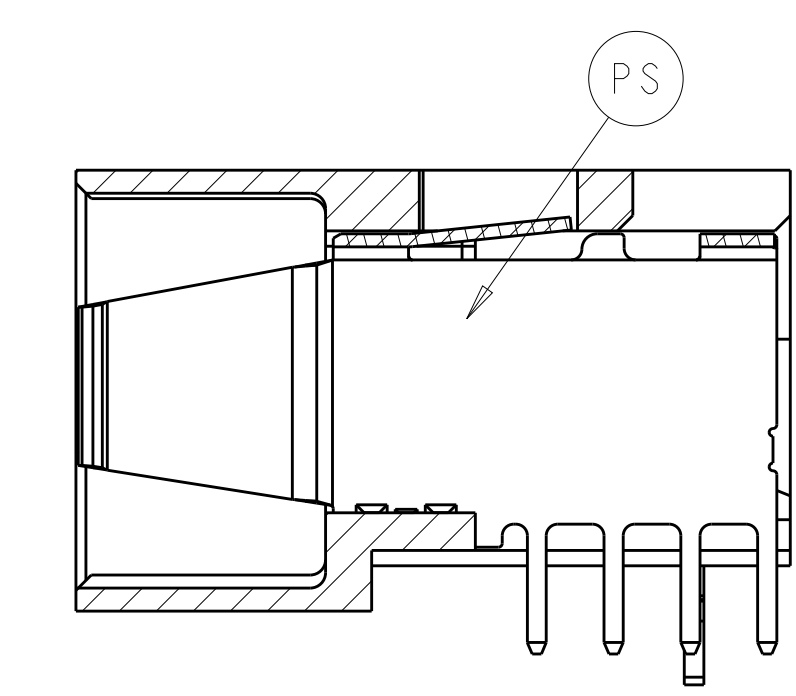
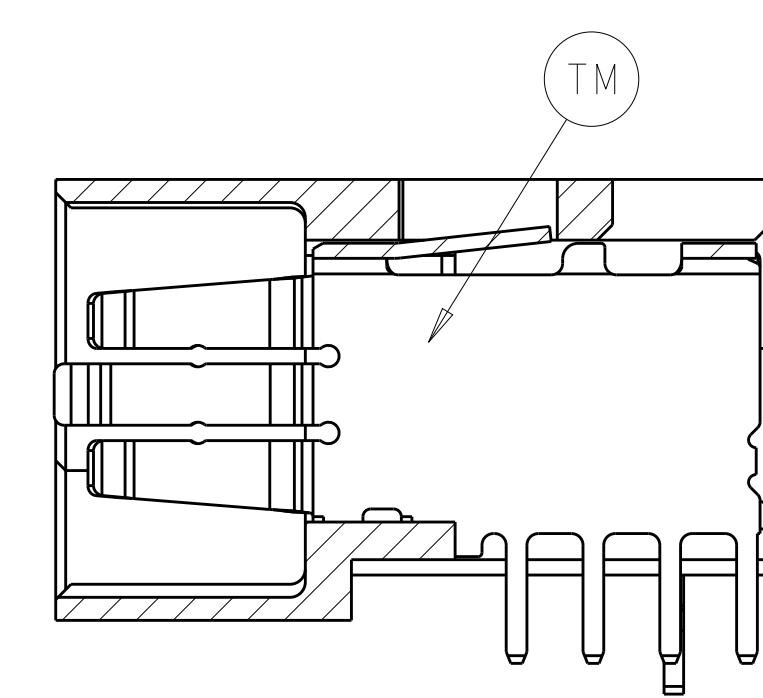
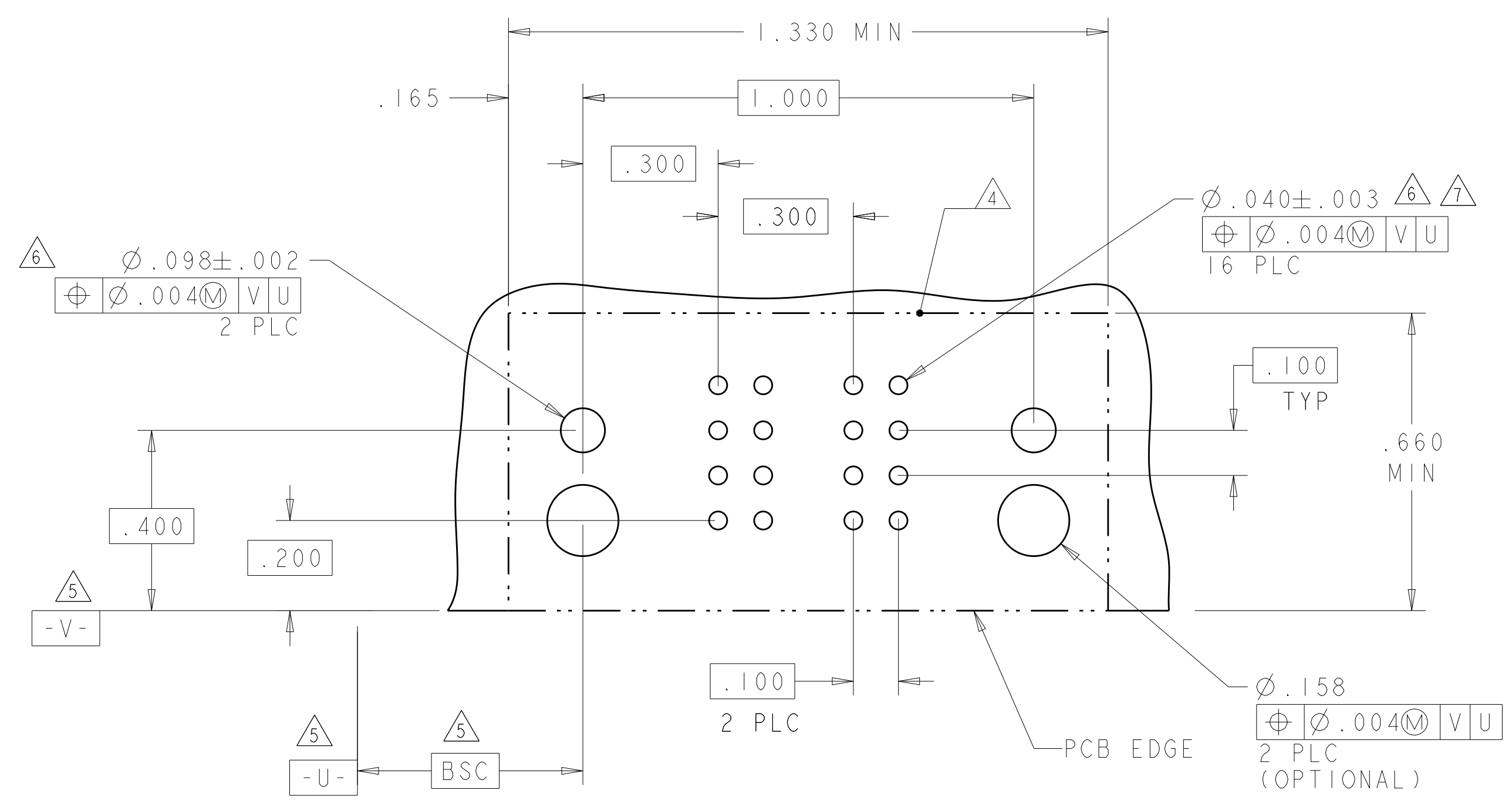
PART NUMBER	ROWS	POWER	
		P1	P2
1892109-3	D C B A	TM	TM
2ACP		HD	HD

PART NUMBER	ROWS	POWER	
		P1	P2
1892109-5	D C B A	PS	PS
2ACP		HD	HD

PART NUMBER	ROWS	POWER	
		P1	P2
1892109-6	D C B A	PS	PS
2ACP		HD	HD



PART NUMBER: 1892109-5



1892109-1 & 1892109-3 & 1892109-5 & 1892109-6 SHARE THE SAME PCB LAYOUT AS ABOVE

(C1)	PS	DUAL BEAM, L=.115
	TM	THREE BEAM, L=.115
	CODE	DESCRIPTION
		POWER CONTACT

THIS DRAWING IS A CONTROLLED DOCUMENT.		DWN: CECILY.ZHOU 23MAR2006	TE Connectivity
DIMENSIONS: INCHES		CHK: SUNY.ZHAO 23MAR2006	
TOLERANCES UNLESS OTHERWISE SPECIFIED:		APVD: SUNY.ZHAO	NAME: RIGHT ANGLE HEADER ASSEMBLY W/ END LATCHES W/HIGH DURABILITY POWER CONTACT MULTI-BEAM XL
0 PLC ±.01		PRODUCT SPEC: 108-1973	SIZE: 114-13038
1 PLC ±.01		APPLICATION SPEC: 114-13038	RESTRICTED TO: A100779
2 PLC ±.005		WEIGHT: -	SCALE: 4:1
3 PLC ±.002		CUSTOMER DRAWING	SHEET 2 OF 2
ANGLES ±.020			REV D2
FINISH: -			

X-ON Electronics

Largest Supplier of Electrical and Electronic Components

Click to view similar products for [Power to the Board](#) category:

Click to view products by [TE Connectivity](#) manufacturer:

Other Similar products are found below :

[10131318-08512GRLF](#) [6450171-4](#) [6450552-7](#) [6600323-8](#) [6643429-1](#) [6646040-2](#) [6651939-1](#) [6766604-1](#) [120959-1](#) [1393557-2](#) [1393532-2](#)
[1393532-3](#) [1393532-4](#) [1393557-1](#) [1600812-5](#) [1-6450861-2](#) [1645595-1](#) [1743490-1](#) [1744132-7](#) [1761122-1](#) [1766169-1](#) [1766250-1](#) [18362](#)
[1892109-1](#) [1-967627-6](#) [2226808-1](#) [2-6450860-5](#) [2-6450860-6](#) [2-6450870-0](#) [93003-0502](#) [953552-1](#) [1-6450161-4](#) [1-6450850-6](#) [1645526-2](#) [1-](#)
[6600130-0](#) [1743419-1](#) [1766150-1](#) [2005243-2](#) [211110-1](#) [2-6600130-2](#) [TE34-12-16P-F0](#) [51700-10201602AALF](#) [5-6450830-6](#) [5646956-4](#)
[36662-0005](#) [40585-3000](#) [4-6450830-9](#) [4-6600333-3](#) [51142-0214](#) [10125416-4050LF](#)