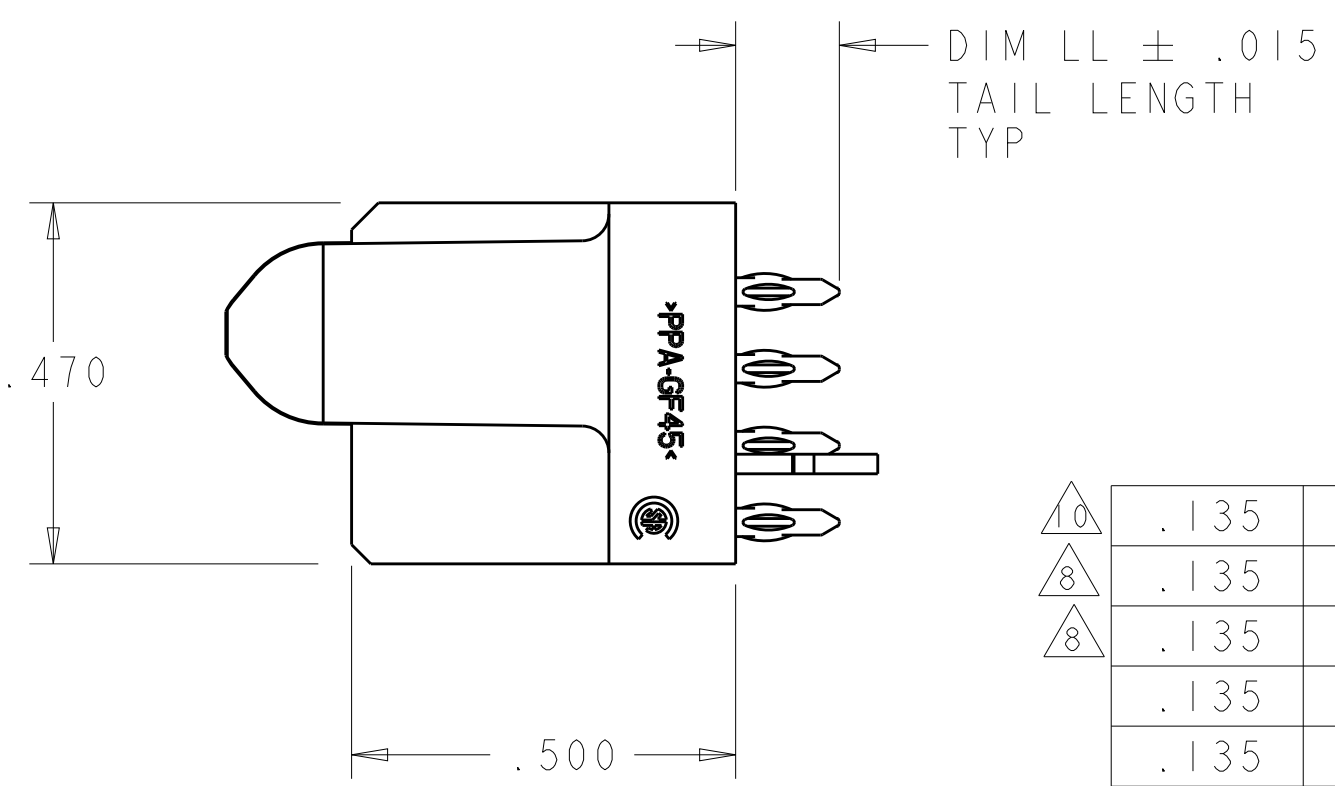
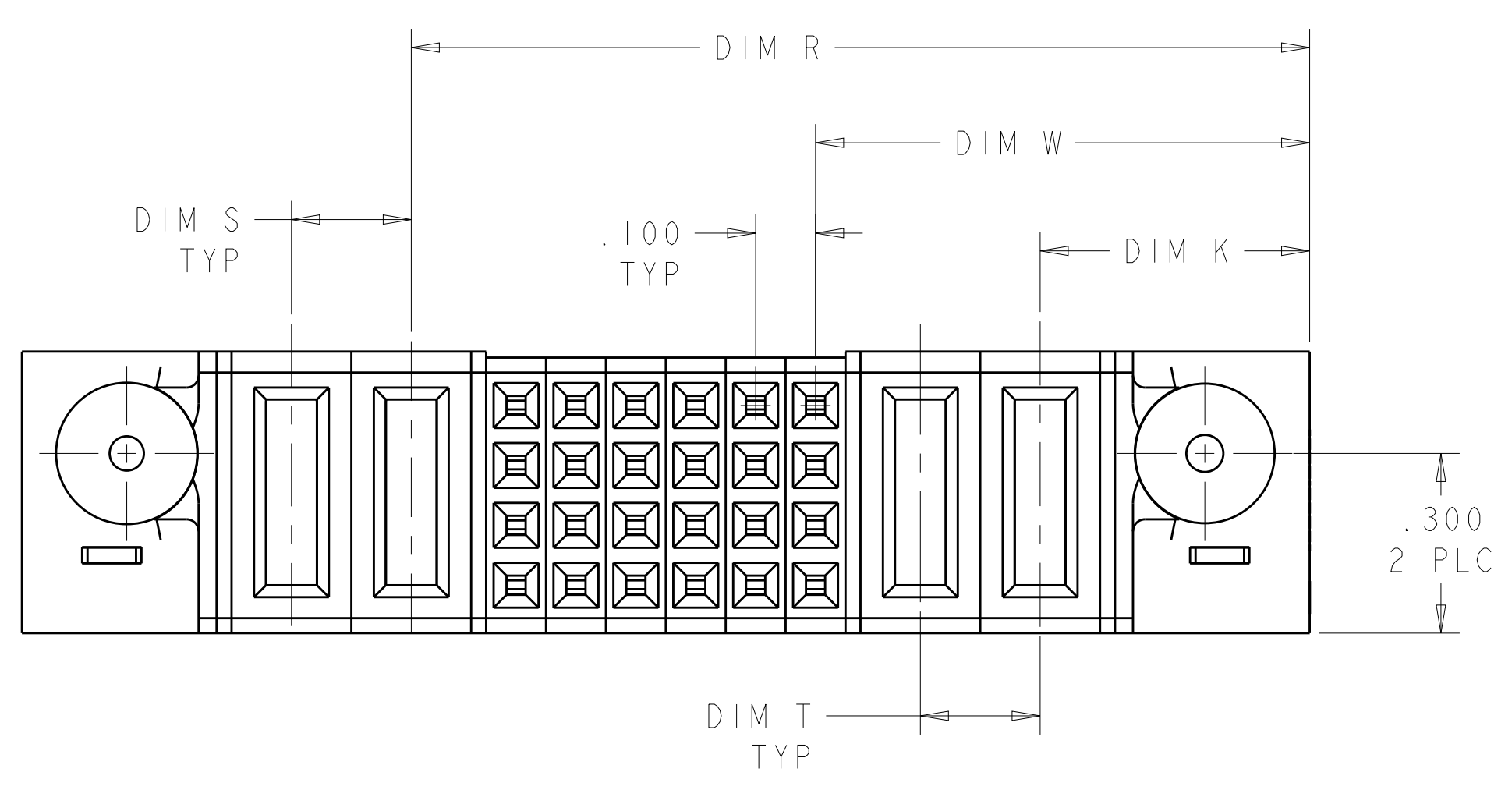
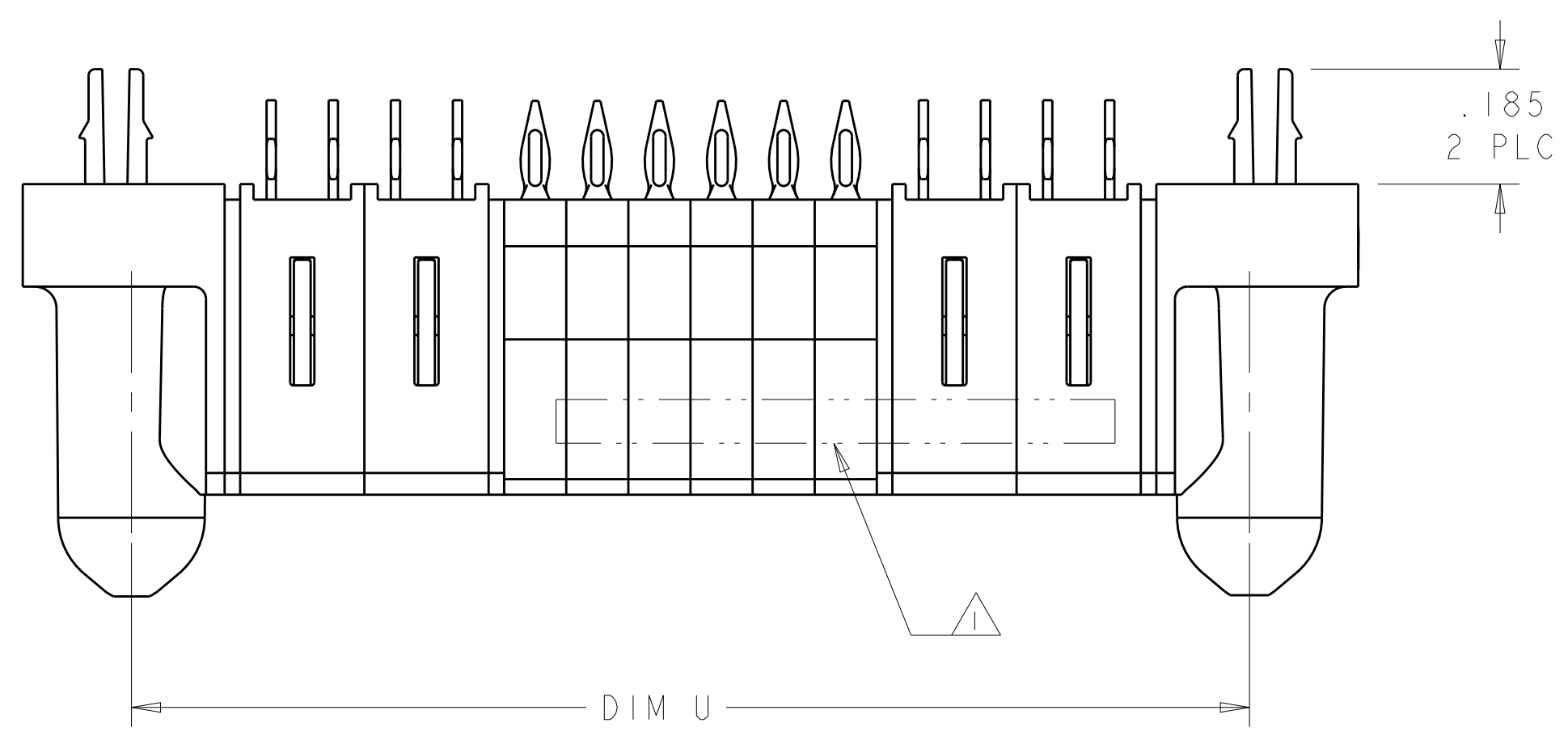
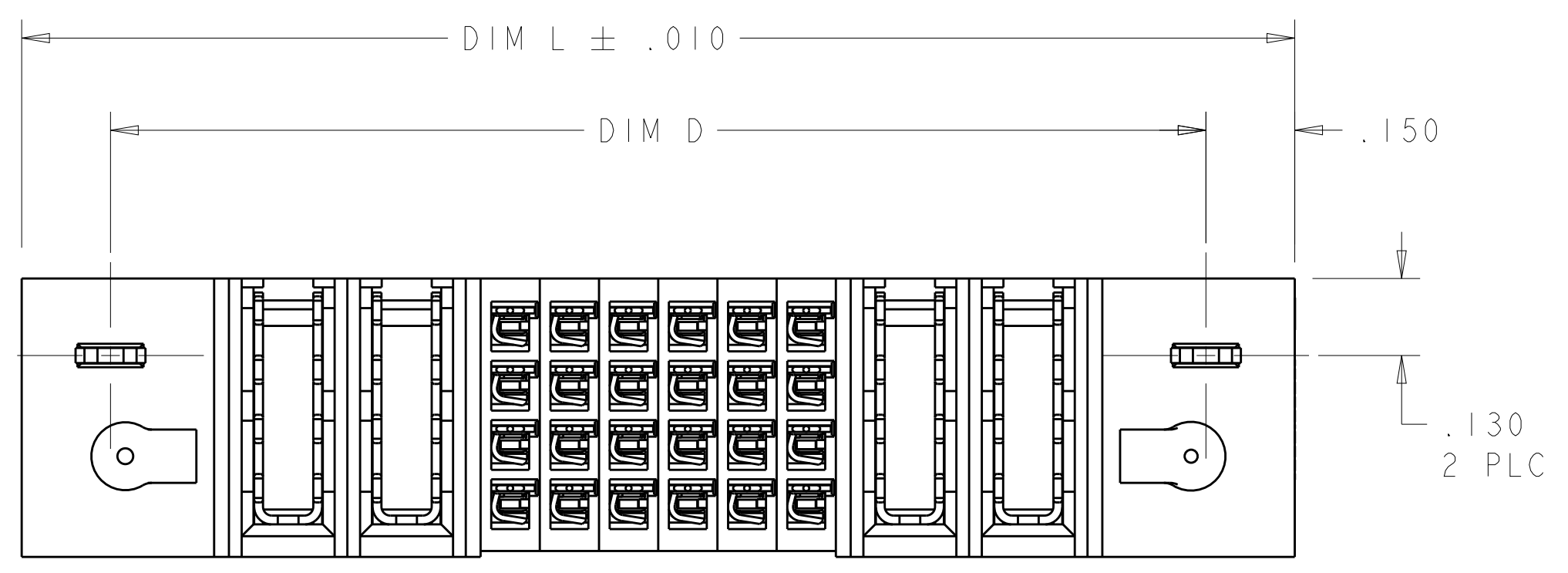


LOC		DIST		REVISIONS			
ES	00	P	LTN	DESCRIPTION	DATE	DMN	APVD
		D4		REV PER ECR-13-004638	20MAR2013	ML	SZ



- △ PART NUMBER, AND DATE CODE MARKED IN AREA SHOWN.
- △ MATERIAL:
 HOUSING - GLASS FILLED HIGH TEMP THERMO PLASTIC, UL94 V-0
 SIGNAL CONTACT - COPPER ALLOY
 POWER CONTACT - HIGH CONDUCTIVITY COPPER ALLOY
- △ CONTACT PLATING: NOBLE METAL PLATING ON CONTACT FUNCTIONAL AREA OF SIGNAL AND POWER CONTACTS.
- △ MECHANICAL CONNECTOR KEEP OUT ZONE.
- △ DATUM AND BASIC DIMENSIONS ESTABLISHED BY CUSTOMER.
- △ PCB - ALL HOLE DIAMETERS ARE FINISHED HOLE SIZES.
- △ PCB - .0453±.0010 DRILLED HOLES PLATED WITH .0003 MIN Sn OVER .001 TO .003 Cu PLATING TO ACHIEVE A .040 HOLE.
- △ NOT RELEASED FOR PRODUCTION.
- △ POWER CONTACT AREA LUBRICATED WITH LUBRICANT.
- △ THE SPECIAL DIMENSION ONLY FOR 1892430-6 (SEE SHEET 2)

△10	.135	.200	4.725	4.175	.200	2.025	7.600	7.650	7.950	64S+11HDP+20S+15HDP	1892430-6
△8	.135	.250	1.550	.875	.250	.450	1.900	1.950	2.250	2P + 24S + 2P	1892430-5
△6	.135	.250	2.550	1.875	.250	.450	3.900	3.950	4.250	6P + 24S + 6P	1892430-4
	.135	.250	1.950	1.275	.300	.475	3.050	-	3.400	3ACP + 24S + 5P	1892430-3
	.135	-	1.425	.700	-	.475	1.575	-	1.925	1P + 24S + 1P	1892430-2
	.135	.200	1.500	.825	.200	.450	1.800	1.850	2.150	2HDP + 24S + 2HDP	1892430-1
	DIM LL	DIM S	DIM R	DIM W	DIM T	DIM K	DIM U	DIM D	DIM L	DESCRIPTION	PART NUMBER

THIS DRAWING IS A CONTROLLED DOCUMENT. DWN: C.ZHOU 11OCT2006
 CHK: SUNY ZHAO 10OCT2006
 APVD: S.YAO

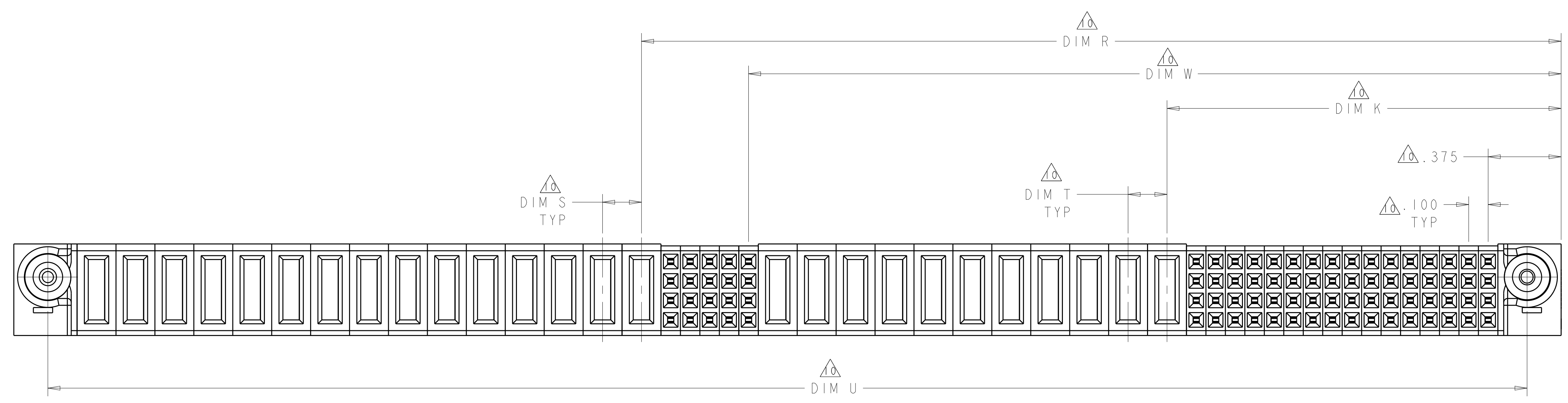
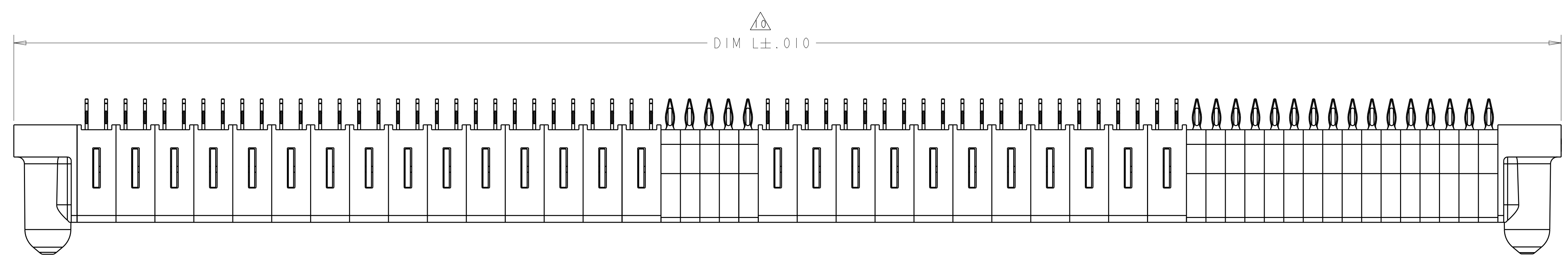
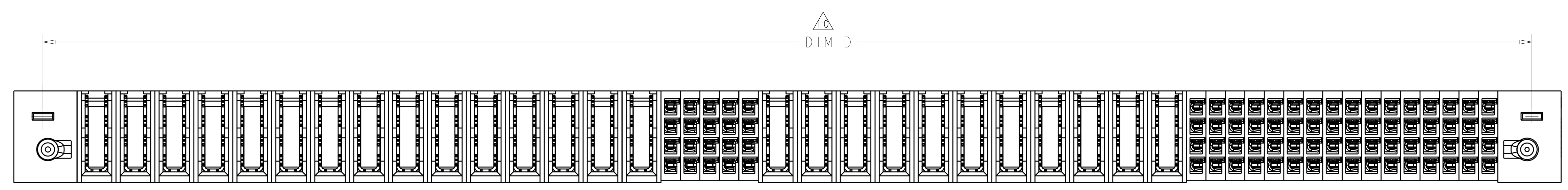
TE Connectivity

NAME: VERTICAL RECEPTACLE ASSEMBLY PRESS FIT,W/GUIDES MULTI-BEAM XL
 PRODUCT SPEC: 108-1973
 APPLICATION SPEC: 114-13038
 SIZE: A1
 CAGE CODE: 1892430
 DRAWING NO: 100779
 WEIGHT: -
 RESTRICTED TO: -

MATERIAL: △2
 FINISH: △3 △9

Customer Drawing SCALE: 4:1 SHEET: 1 OF 5 REV: D4

LOC	DIST	REVISIONS			
P	LTN	DESCRIPTION	DATE	DMN	APVD
ES	00	SEE SHEET 1	-	-	-



PART NUMBER 1892430-6
 UNSPECIFIED DIMENSION REFER TO SHEET 1

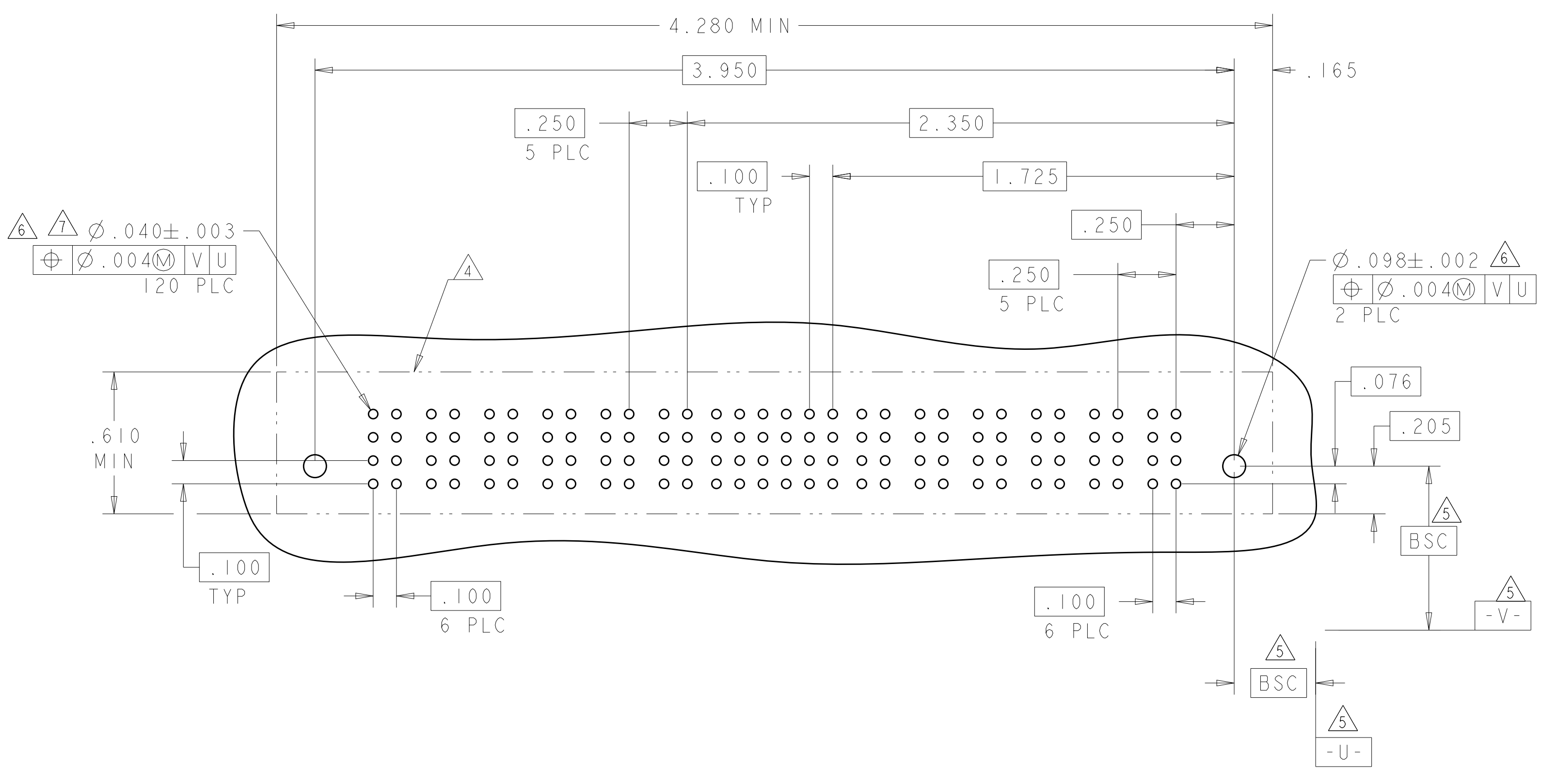
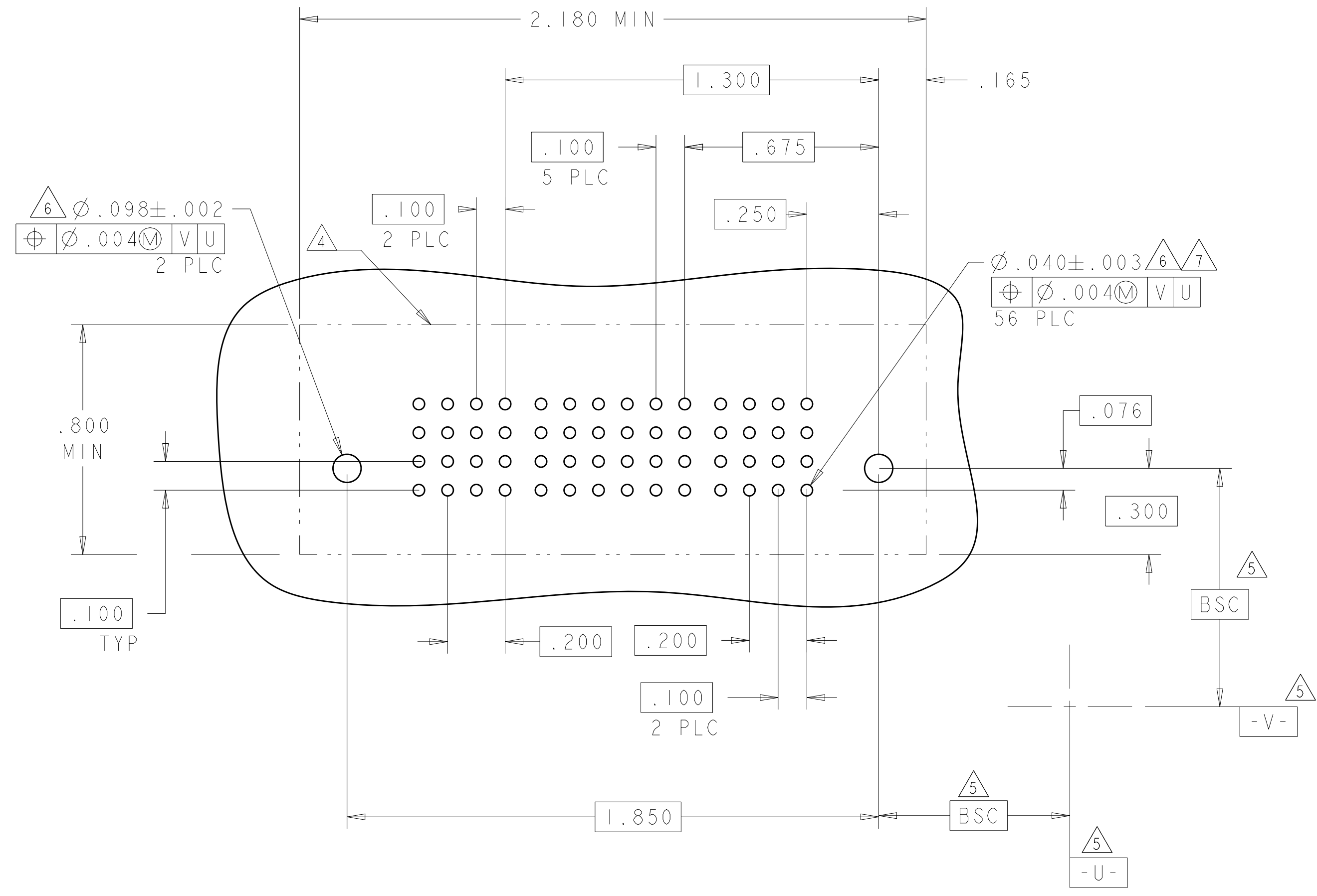
THIS DRAWING IS A CONTROLLED DOCUMENT.		DMN C. ZHOU 11OCT2006	STE TE Connectivity
DIMENSIONS: INCHES		CHK SUNY ZHAO 10OCT2006	
TOLERANCES UNLESS OTHERWISE SPECIFIED:		APVD S. YAO	NAME
0 PLC ±.		PRODUCT SPEC	VERTICAL RECEPTACLE ASSEMBLY
2 PLC ±.01		APPLICATION SPEC	PRESS FIT, W/GUIDES
3 PLC ±.005		SIZE CAGE CODE DRAWING NO	MULTI-BEAM XL
4 PLC ±.0020		RESTRICTED TO	
ANGLES ±0°30'		A100779C=1892430	
MATERIAL	FINISH	WEIGHT	SCALE 4:1 SHEET 2 OF 5 REV D4
		Customer Drawing	

LOC	DIST	REV	DATE	BY	APPV
ES	00				

REVISIONS			
NO.	DESCRIPTION	DATE	BY
-	SEE SHEET 1	-	-

PART NUMBER	ROWS	POWER		SIGNAL						POWER			
		P4	P3	6	5	4	3	2	1	P2	P1		
1892430-1	D C B A	GP	GP	AP	AP	AP	AP	AP	AP	AP	AP	GP	GP
				AP	AP	AP	AP	AP	AP	AP	AP		
				AP	AP	AP	AP	AP	AP	AP	AP		
2HDP + 24S + 2HDP													

ASSY PART NUMBER	ROWS	POWER						SIGNAL						POWER																			
		PI2	PI1	PI0	P9	P8	P7	6	5	4	3	2	1	P6	P5	P4	P3	P2	P1														
1892430-4	D C B A	GS	GS	GS	GS	GS	GS	AP	AP	AP	AP	AP	AP	AP	AP	AP	AP	AP	AP	GS	GS	GS	GS	GS	GS								
								AP	AP	AP	AP	AP	AP	AP	AP	AP	AP	AP	AP							AP	AP	AP	AP	AP	AP	AP	AP
								AP	AP	AP	AP	AP	AP	AP	AP	AP	AP	AP	AP							AP	AP	AP	AP	AP	AP	AP	AP
6P + 24S + 6P																																	



CODE	DESCRIPTION
AP	SIGNAL CONTACT
GP	POWER CONTACT, MFBL
GS	POWER CONTACT, STD
HD	HOLD DOWN

THIS DRAWING IS A CONTROLLED DOCUMENT.

DWN: C. ZHOU 11OCT2006
 CHK: SUNY ZHAO 10OCT2006
 APVD: S. YAO
 NAME: S. YAO
 PRODUCT SPEC: 108-1973
 APPLICATION SPEC: 114-13038
 WEIGHT: -
 FINISH: -
 ANGLE: 40°/30°

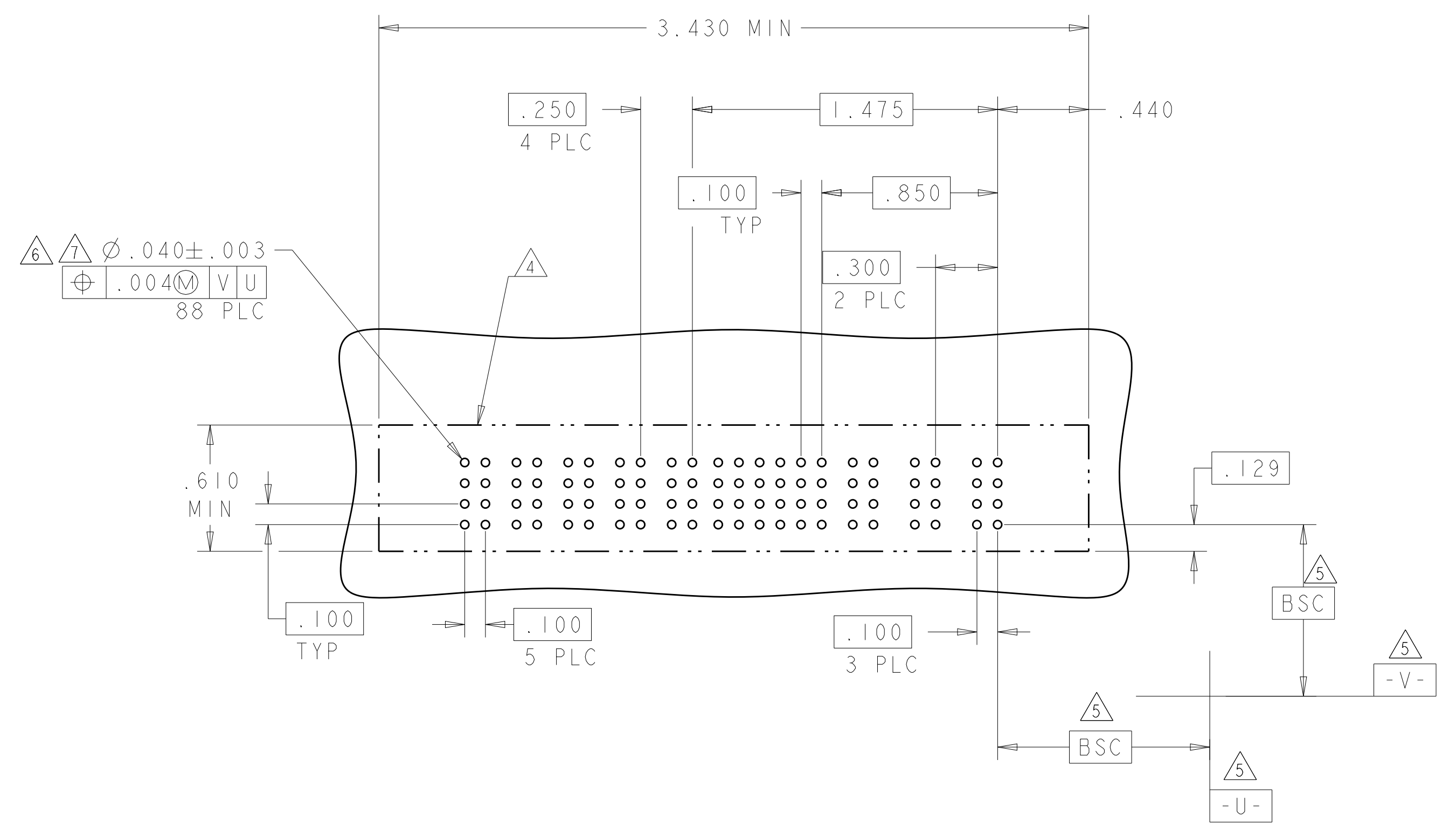
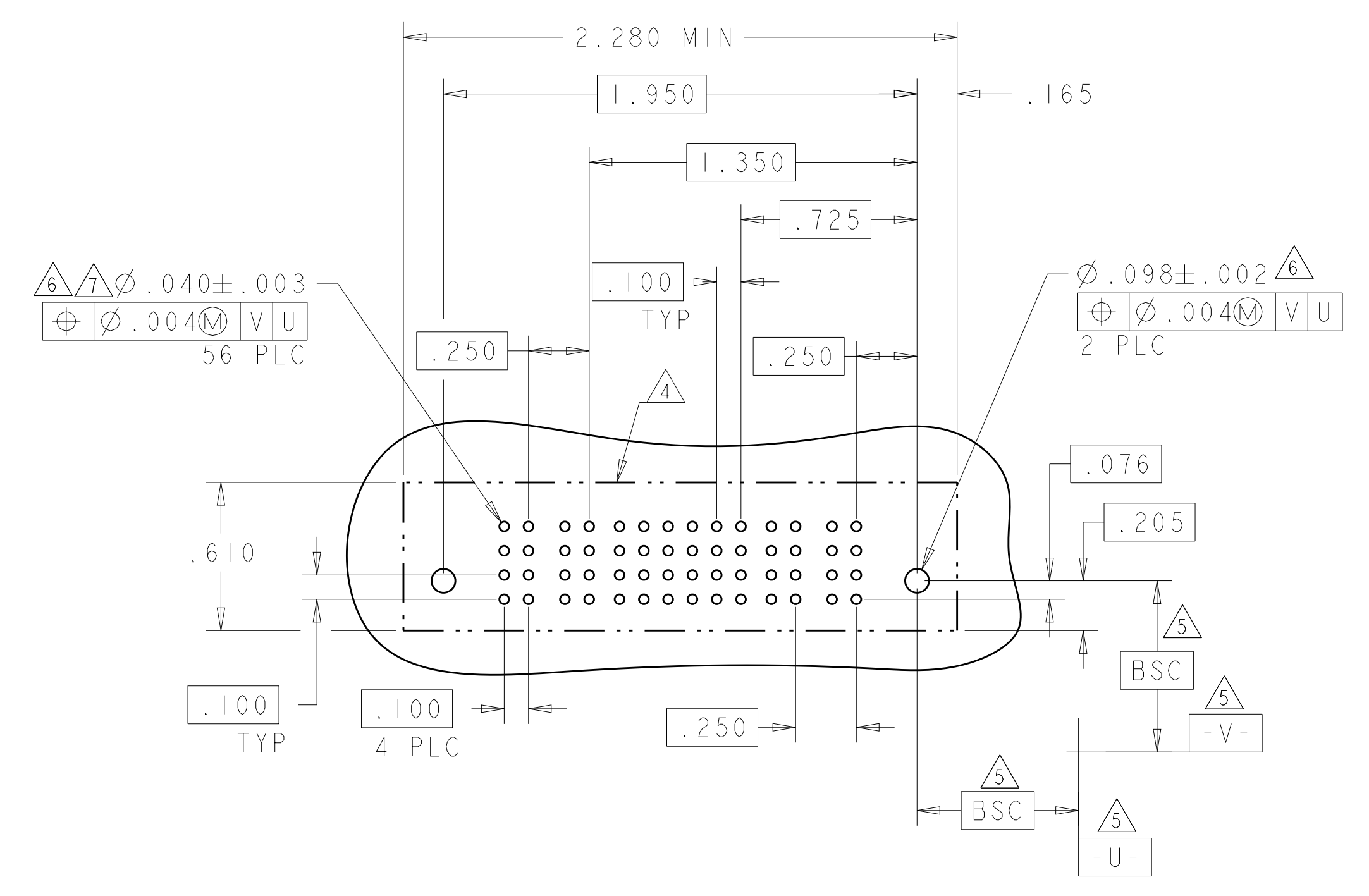
STE TE Connectivity
 VERTICAL RECEPTACLE ASSEMBLY
 PRESS FIT, W/GUIDES
 MULTI-BEAM XL

SIZE: A1
 CAGE CODE: 100779
 DRAWING NO: 1892430
 Customer Drawing
 SCALE: 4:1
 SHEET: 3 OF 5
 REV: D4

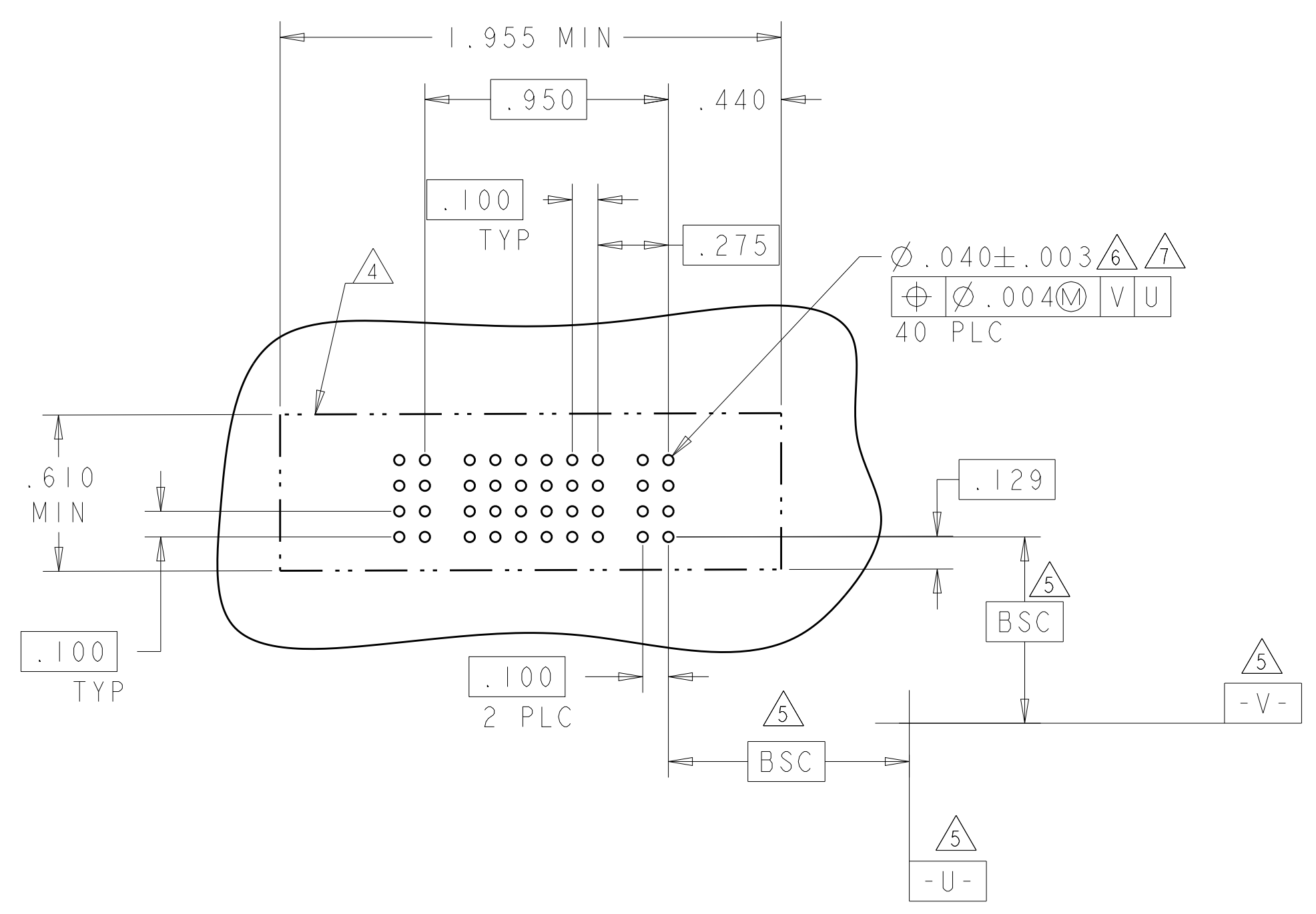
LOC		DIST		REVISONS			
ES	00	P	LTN	DESCRIPTION	DATE	DWN	APVD
-	-	-	-	SEE SHEET 1	-	-	-

PART NUMBER	ROWS	POWER				SIGNAL					POWER		
		P4	P3	6	5	4	3	2	1	P2	P1		
1892430-5	D C B A	GP	GP	AP	AP	AP	AP	AP	AP	AP	AP	GP	GP
		GP	GP	AP	AP	AP	AP	AP	AP	AP	AP	GP	GP
		GP	GP	AP	AP	AP	AP	AP	AP	AP	AP	GP	GP
2P + 24S + 2P													

PART NUMBER	ROWS	POWER (L)				SIGNAL					POWER (R)			
		P8	P7	P6	P5	6	5	4	3	2	1	P3	P2	P1
1892430-3	D C B A	GS	GS	GS	GS	GS	GS	GS	GS	GS	GS	GS	GS	GS
		GS	GS	GS	GS	GS	GS	GS	GS	GS	GS	GS	GS	GS
		GS	GS	GS	GS	GS	GS	GS	GS	GS	GS	GS	GS	GS
3ACP + 24S + 5P														



PART NUMBER	ROWS	POWER		SIGNAL					POWER		
		P2	6	5	4	3	2	1	P1		
1892430-2	D C B A	GP	GP	AP	AP	AP	AP	AP	AP	GP	GP
		GP	GP	AP	AP	AP	AP	AP	AP	GP	GP
		GP	GP	AP	AP	AP	AP	AP	AP	GP	GP
1P + 24S + 1P											

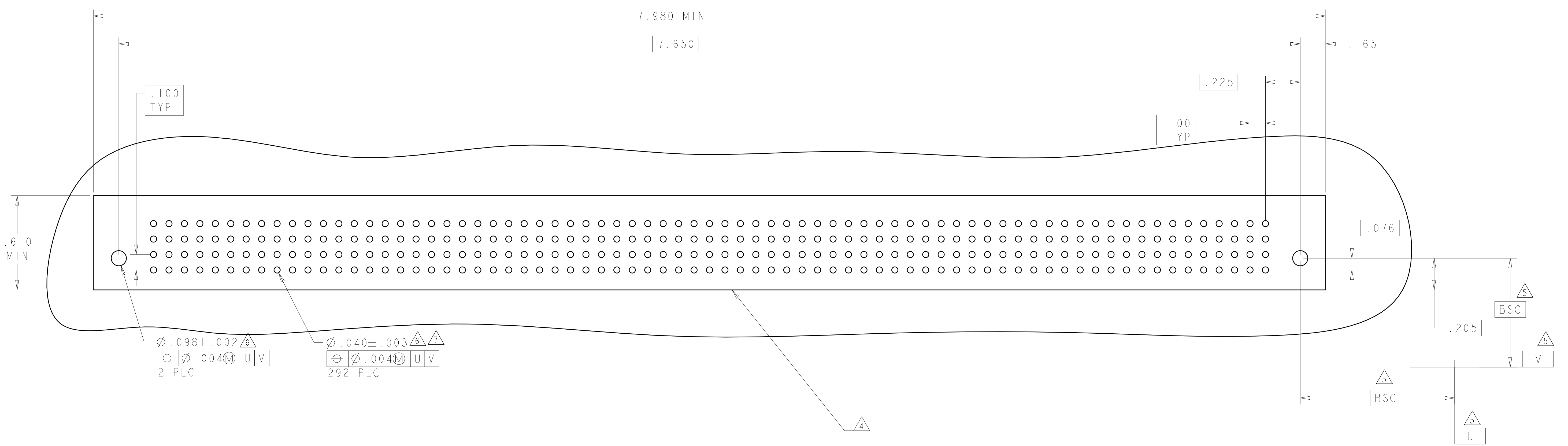


THIS DRAWING IS A CONTROLLED DOCUMENT.		DWN: C. ZHOU 11OCT2006	TE Connectivity
DIMENSIONS: INCHES		CHK: SUNY ZHAO 10OCT2006	
TOLERANCES UNLESS OTHERWISE SPECIFIED:		APVD: S. YAO	NAME: VERTICAL RECEPTACLE ASSEMBLY PRESS FIT, W/GUIDES MULTI-BEAM XL
0 PLC ±.01 1 PLC ±.01 2 PLC ±.01 3 PLC ±.005 4 PLC ±.002 ANGLES 40°/30°		PRODUCT SPEC: 108-1973	SIZE: A1
MATERIAL: -		APPLICATION SPEC: 114-13038	CAGE CODE: -
FINISH: -		WEIGHT: -	DRAWING NO: 1892430
-		Customer Drawing	SCALE: 4:1 SHEET 4 OF 5 REV: D4

LOC	DIST	REVISIONS			
P	LTN	DESCRIPTION	DATE	DMN	APVD
-	-	SEE SHEET 1	-	-	-

PART NUMBER	ROWS	POWER										SIGNAL					POWER										SIGNAL																				
		P26	P25	P24	P23	P22	P21	P20	P19	P18	P17	P16	P15	P14	P13	P12	S21	S20	S19	S18	S17	P11	P10	P09	P08	P07	P06	P05	P04	P03	P02	P01	S16	S15	S14	S13	S12	S11	S10	S09	S08	S07	S06	S05	S04	S03	S02
1892430-6	D C B A	GP	GS	GP	GS	GP	GS	GP	GS	GP	GS	GP	GS	GP	GS	GP	AP	AP	AP	AP	AP	GP	GS	GP	GS	GP	GS	GP	GS	GP	GS	GP	AP	AP	AP	AP	AP	AP	AP	AP	AP	AP	AP	AP	AP	AP	AP
		GP	GS	GP	GS	GP	GS	GP	GS	GP	GS	GP	GS	GP	GS	GP	AP	AP	AP	AP	AP	GP	GS	GP	GS	GP	GS	GP	GS	GP	GS	GP	AP	AP	AP	AP	AP	AP	AP	AP	AP	AP	AP	AP	AP	AP	
		GP	GS	GP	GS	GP	GS	GP	GS	GP	GS	GP	GS	GP	GS	GP	AP	AP	AP	AP	AP	GP	GS	GP	GS	GP	GS	GP	GS	GP	GS	GP	AP	AP	AP	AP	AP	AP	AP	AP	AP	AP	AP	AP	AP	AP	
		GP	GS	GP	GS	GP	GS	GP	GS	GP	GS	GP	GS	GP	GS	GP	AP	AP	AP	AP	AP	GP	GS	GP	GS	GP	GS	GP	GS	GP	GS	GP	AP	AP	AP	AP	AP	AP	AP	AP	AP	AP	AP	AP	AP	AP	

64S + 11HDP + 20S + 15HDP



THIS DRAWING IS A CONTROLLED DOCUMENT.		DMN: C. ZHOU 11OCT2006	 TE Connectivity
DIMENSIONS: INCHES		CHK: SUNY ZHAO 10OCT2006	
TOLERANCES UNLESS OTHERWISE SPECIFIED:		APVD: S. YAO	NAME: VERTICAL RECEPTACLE ASSEMBLY PRESS FIT, W/GUIDES MULTI-BEAM XL
0 PLC ±.010		PRODUCT SPEC: 108-1973	SIZE: A1
1 PLC ±.005		APPLICATION SPEC: 114-13038	CAGE CODE: 1892430
2 PLC ±.002		WEIGHT: -	RESTRICTED TO: -
3 PLC ±.002		FINISH: -	SCALE: 4:1
4 PLC ±.002		Customer Drawing	SHEET 5 OF 5
ANGLES: 40°/30°			REV: D4

X-ON Electronics

Largest Supplier of Electrical and Electronic Components

Click to view similar products for [Power to the Board](#) category:

Click to view products by [TE Connectivity](#) manufacturer:

Other Similar products are found below :

[10131318-08512GRLF](#) [6450171-4](#) [6450552-7](#) [6600323-8](#) [6643429-1](#) [6646040-2](#) [6651939-1](#) [6766604-1](#) [120959-1](#) [1393557-2](#) [1393532-2](#)
[1393532-3](#) [1393532-4](#) [1393557-1](#) [1600812-5](#) [1-6450861-2](#) [1645595-1](#) [1743490-1](#) [1744132-7](#) [1761122-1](#) [1766169-1](#) [1766250-1](#) [18362](#)
[1892109-1](#) [1-967627-6](#) [2226808-1](#) [2-6450860-5](#) [2-6450860-6](#) [2-6450870-0](#) [93003-0502](#) [953552-1](#) [1-6450161-4](#) [1-6450850-6](#) [1645526-2](#) [1-](#)
[6600130-0](#) [1743419-1](#) [1766150-1](#) [2005243-2](#) [211110-1](#) [2-6600130-2](#) [TE34-12-16P-F0](#) [51700-10201602AALF](#) [5-6450830-6](#) [5646956-4](#)
[36662-0005](#) [40585-3000](#) [4-6450830-9](#) [4-6600333-3](#) [51142-0214](#) [10125416-4050LF](#)