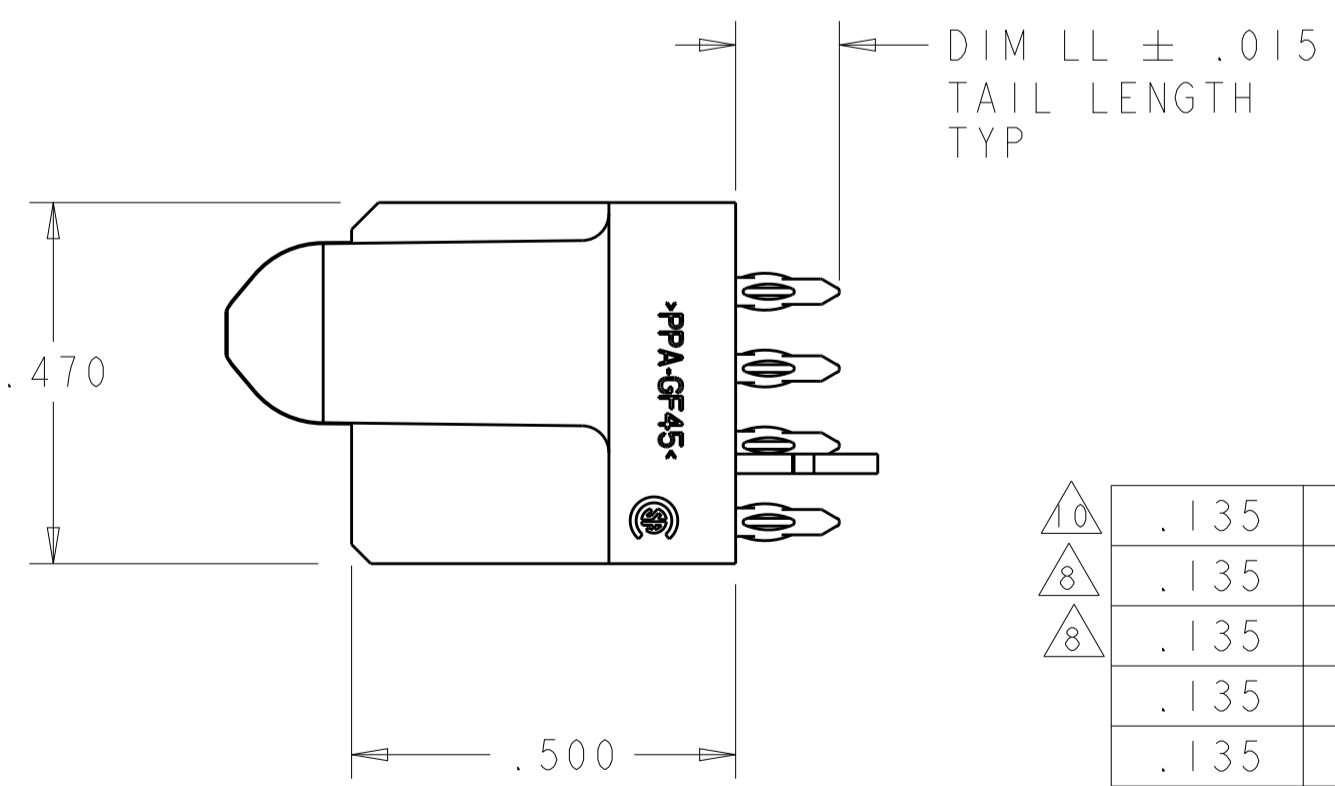
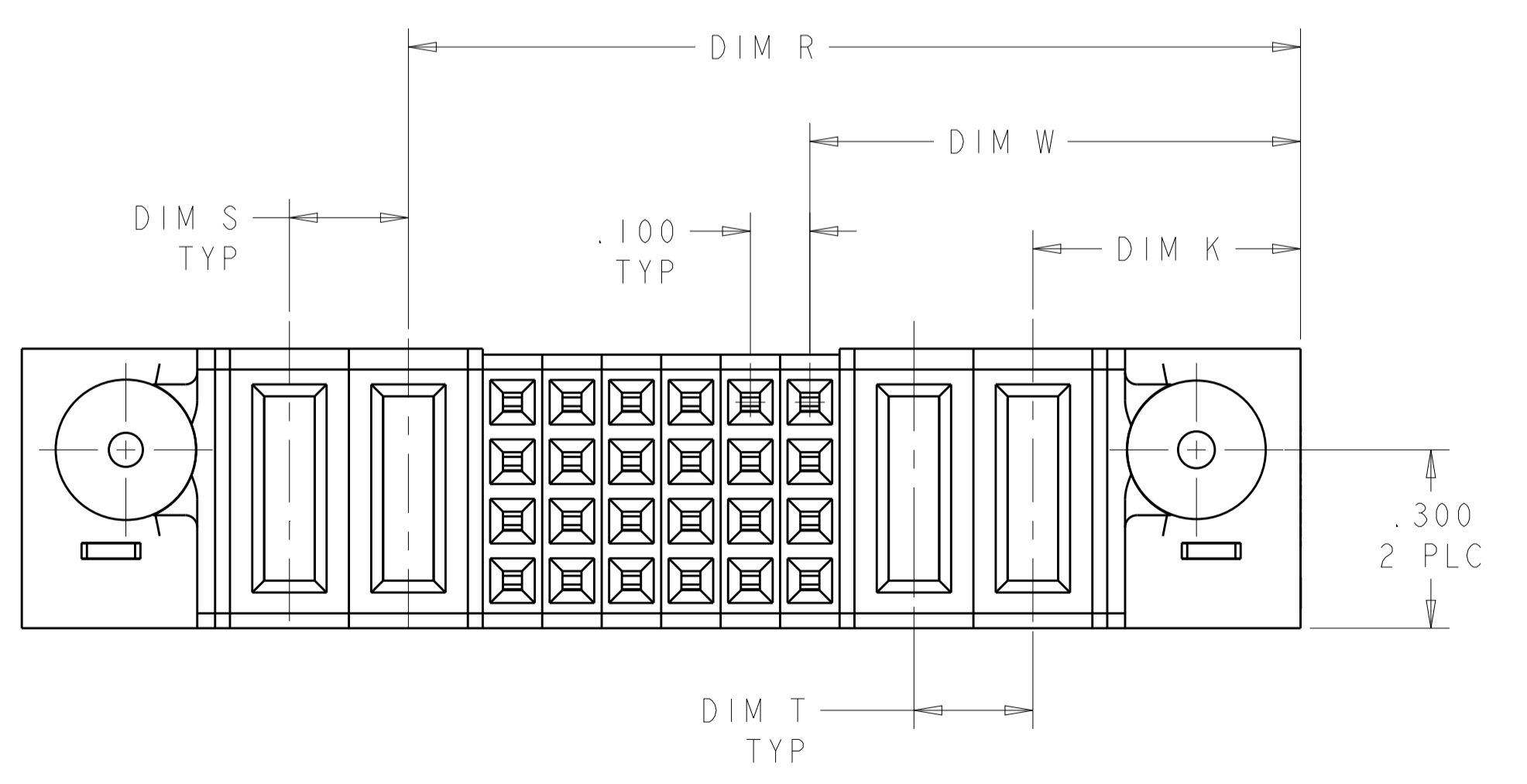
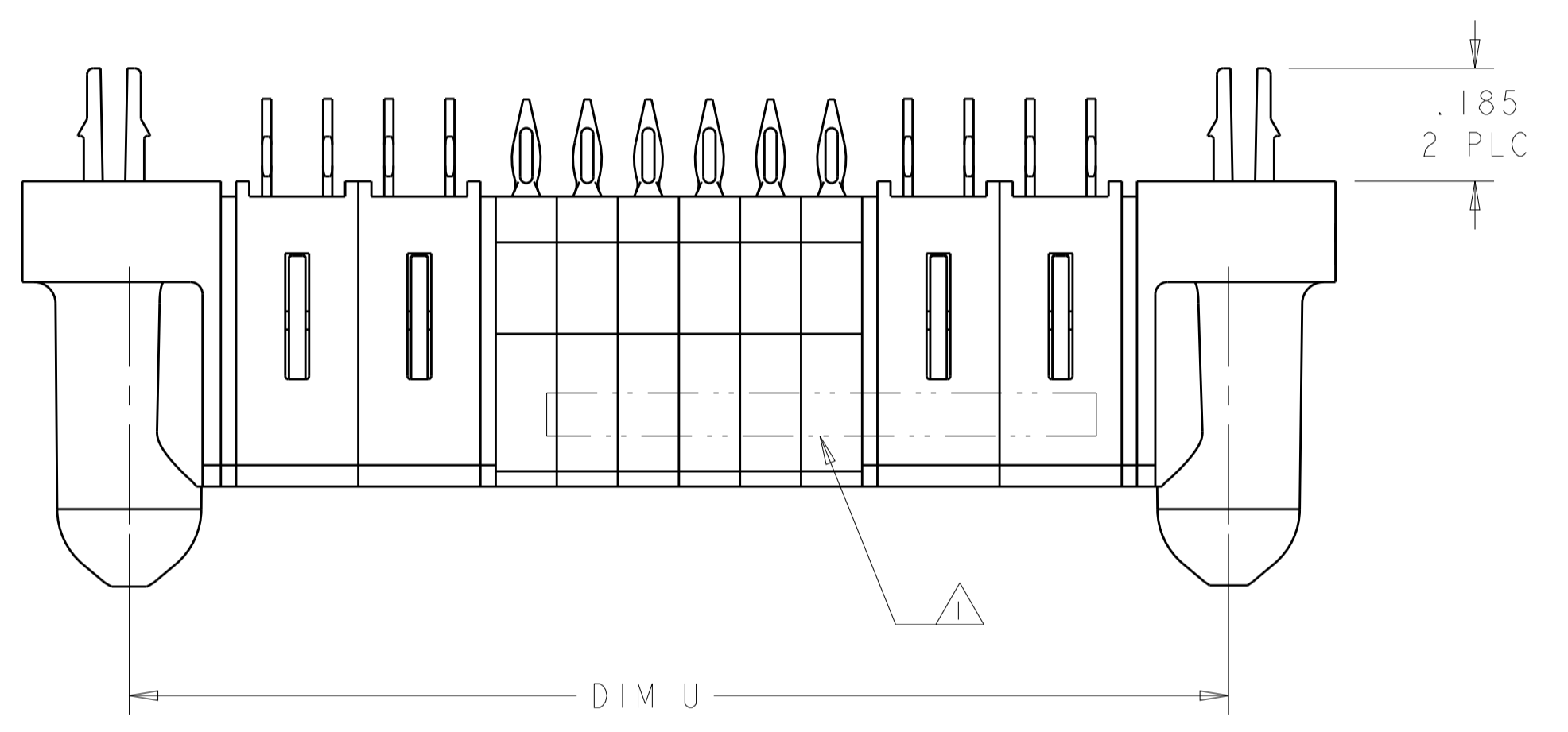
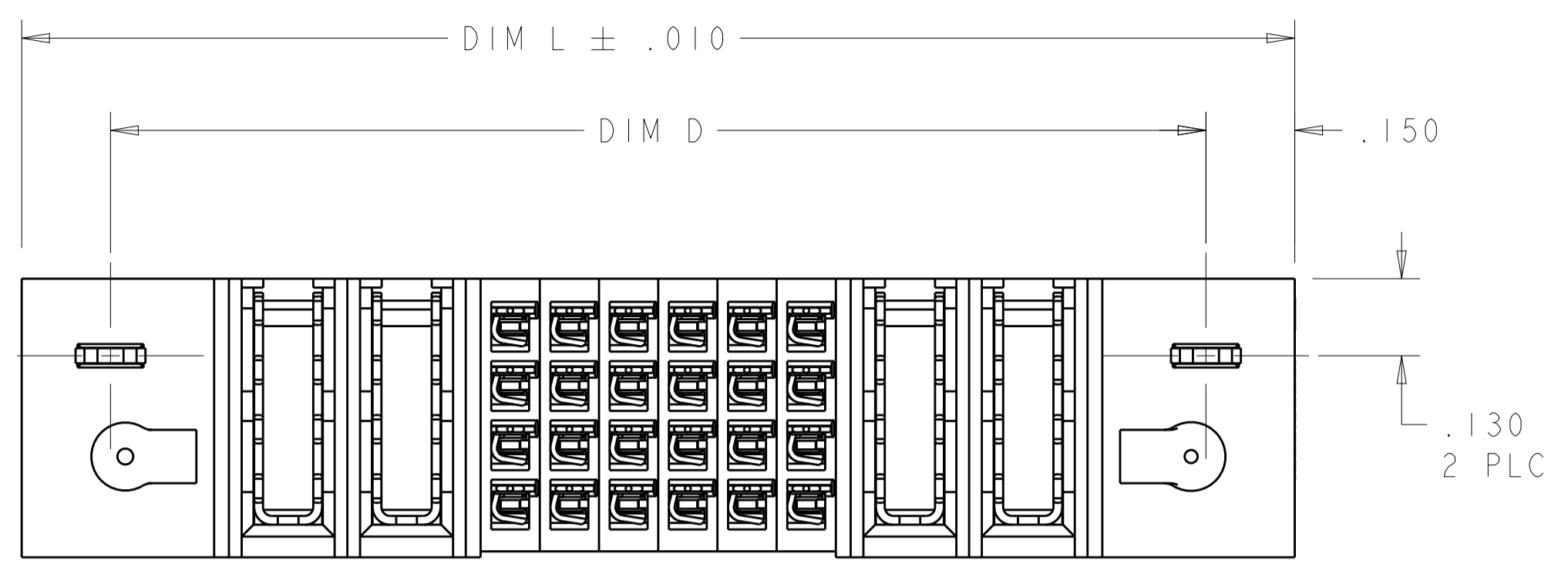


LOC		DIST		REVISIONS			
ES	00	P	LTN	DESCRIPTION	DATE	DWN	APVD
		D4		REV PER ECR-13-004638	20MAR2013	ML	SZ



- △ PART NUMBER, AND DATE CODE MARKED IN AREA SHOWN.
- △ MATERIAL:  
 HOUSING - GLASS FILLED HIGH TEMP THERMO PLASTIC, UL94 V-0  
 SIGNAL CONTACT - COPPER ALLOY  
 POWER CONTACT - HIGH CONDUCTIVITY COPPER ALLOY
- △ CONTACT PLATING: NOBLE METAL PLATING ON CONTACT FUNCTIONAL AREA OF SIGNAL AND POWER CONTACTS.
- △ MECHANICAL CONNECTOR KEEP OUT ZONE.
- △ DATUM AND BASIC DIMENSIONS ESTABLISHED BY CUSTOMER.
- △ PCB - ALL HOLE DIAMETERS ARE FINISHED HOLE SIZES.
- △ PCB - .0453±.0010 DRILLED HOLES PLATED WITH .0003 MIN Sn OVER .001 TO .003 Cu PLATING TO ACHIEVE A .040 HOLE.
- △ NOT RELEASED FOR PRODUCTION.
- △ POWER CONTACT AREA LUBRICATED WITH LUBRICANT.
- △ THE SPECIAL DIMENSION ONLY FOR 1892430-6 (SEE SHEET 2)

△10	.135	.200	4.725	4.175	.200	2.025	7.600	7.650	7.950	64S+11HDP+20S+15HDP	1892430-6
△8	.135	.250	1.550	.875	.250	.450	1.900	1.950	2.250	2P + 24S + 2P	1892430-5
△6	.135	.250	2.550	1.875	.250	.450	3.900	3.950	4.250	6P + 24S + 6P	1892430-4
	.135	.250	1.950	1.275	.300	.475	3.050	-	3.400	3ACP + 24S + 5P	1892430-3
	.135	-	1.425	.700	-	.475	1.575	-	1.925	1P + 24S + 1P	1892430-2
	.135	.200	1.500	.825	.200	.450	1.800	1.850	2.150	2HDP + 24S + 2HDP	1892430-1
	DIM LL	DIM S	DIM R	DIM W	DIM T	DIM K	DIM U	DIM D	DIM L	DESCRIPTION	PART NUMBER

THIS DRAWING IS A CONTROLLED DOCUMENT. DWN: C.ZHOU 11OCT2006  
 CHK: SUNY ZHAO 10OCT2006  
 APVD: S.YAO

DIMENSIONS: INCHES  
 TOLERANCES UNLESS OTHERWISE SPECIFIED:  
 0 PLC ±.  
 1 PLC ±.01  
 2 PLC ±.01  
 3 PLC ±.005  
 4 PLC ±.0020  
 ANGLES 40°±30°

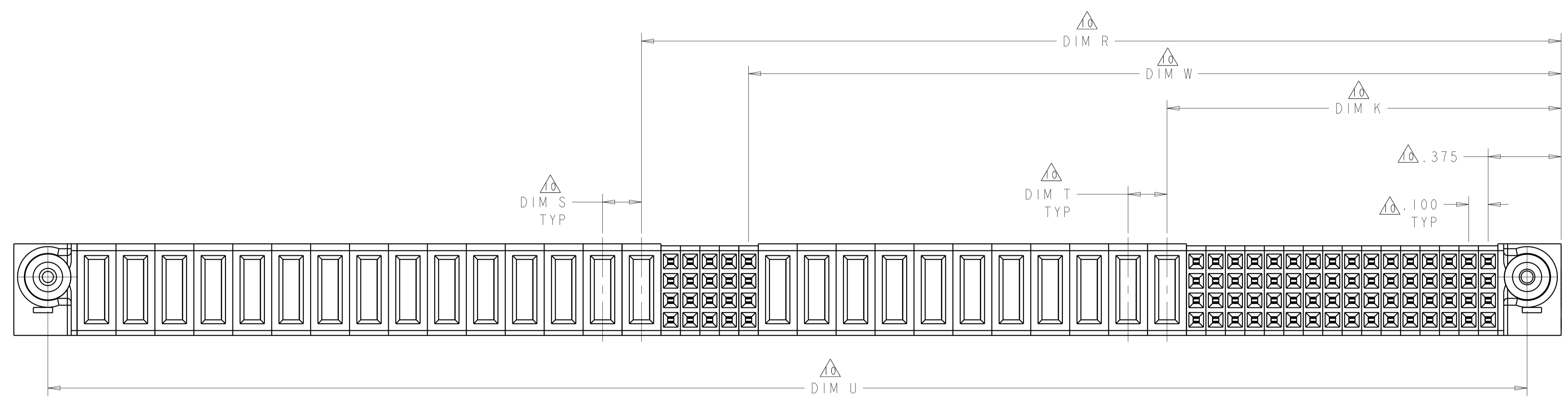
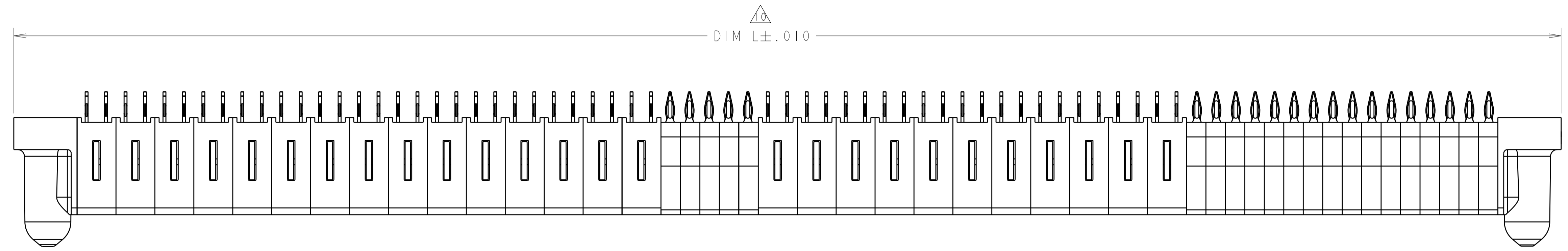
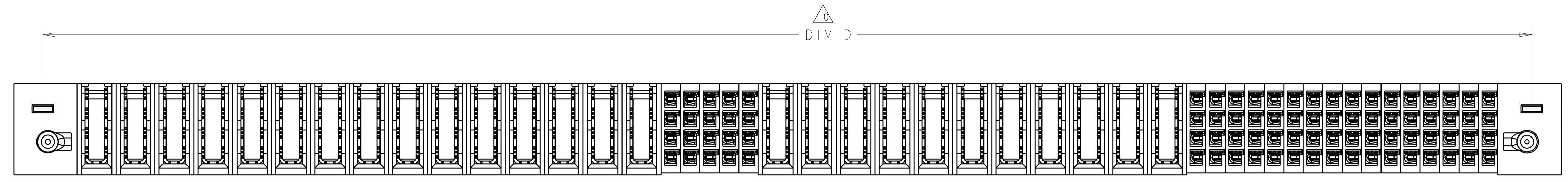
MATERIAL: △2  
 FINISH: △3 △9

Customer Drawing

SCALE 4:1 SHEET 1 OF 5 REV D4

TE Connectivity  
 NAME: VERTICAL RECEPTACLE ASSEMBLY PRESS FIT,W/GUIDES MULTI-BEAM XL  
 SIZE: 114-13038  
 CAGE CODE: 114-13038  
 DRAWING NO: A100779  
 PART NO: 1892430

LOC	DIST	REVISIONS					
ES	00	P	LTN	DESCRIPTION	DATE	DWN	APVD
-	-	-	-	SEE SHEET 1	-	-	-



PART NUMBER 1892430-6  
 UNSPECIFIED DIMENSION REFER TO SHEET 1

THIS DRAWING IS A CONTROLLED DOCUMENT.		DWN C. ZHOU CHK SUNY ZHAO APVD S. YAO	11OCT2006 10OCT2006	<b>STE</b> TE Connectivity
DIMENSIONS: INCHES	TOLERANCES UNLESS OTHERWISE SPECIFIED:	NAME S. YAO		
	0 PLC ±	PRODUCT SPEC		VERTICAL RECEPTACLE ASSEMBLY PRESS FIT, W/GUIDES MULTI-BEAM XL
	1 PLC ±.01	APPLICATION SPEC		
MATERIAL	FINISH	SIZE 114-13038	WEIGHT	RESTRICTED TO
Customer Drawing		SCALE 4:1	SHEET 2 OF 5	REV D4

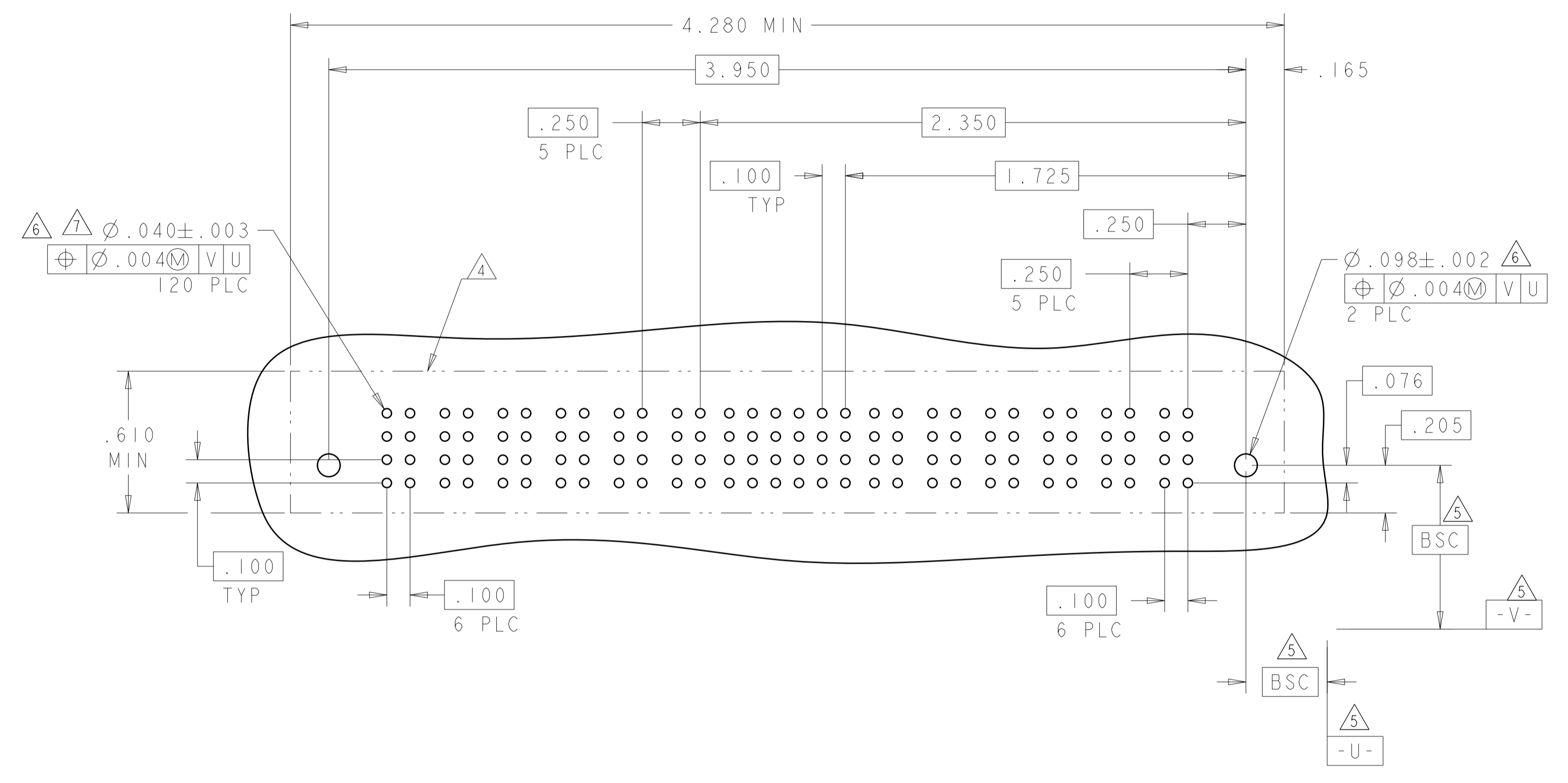
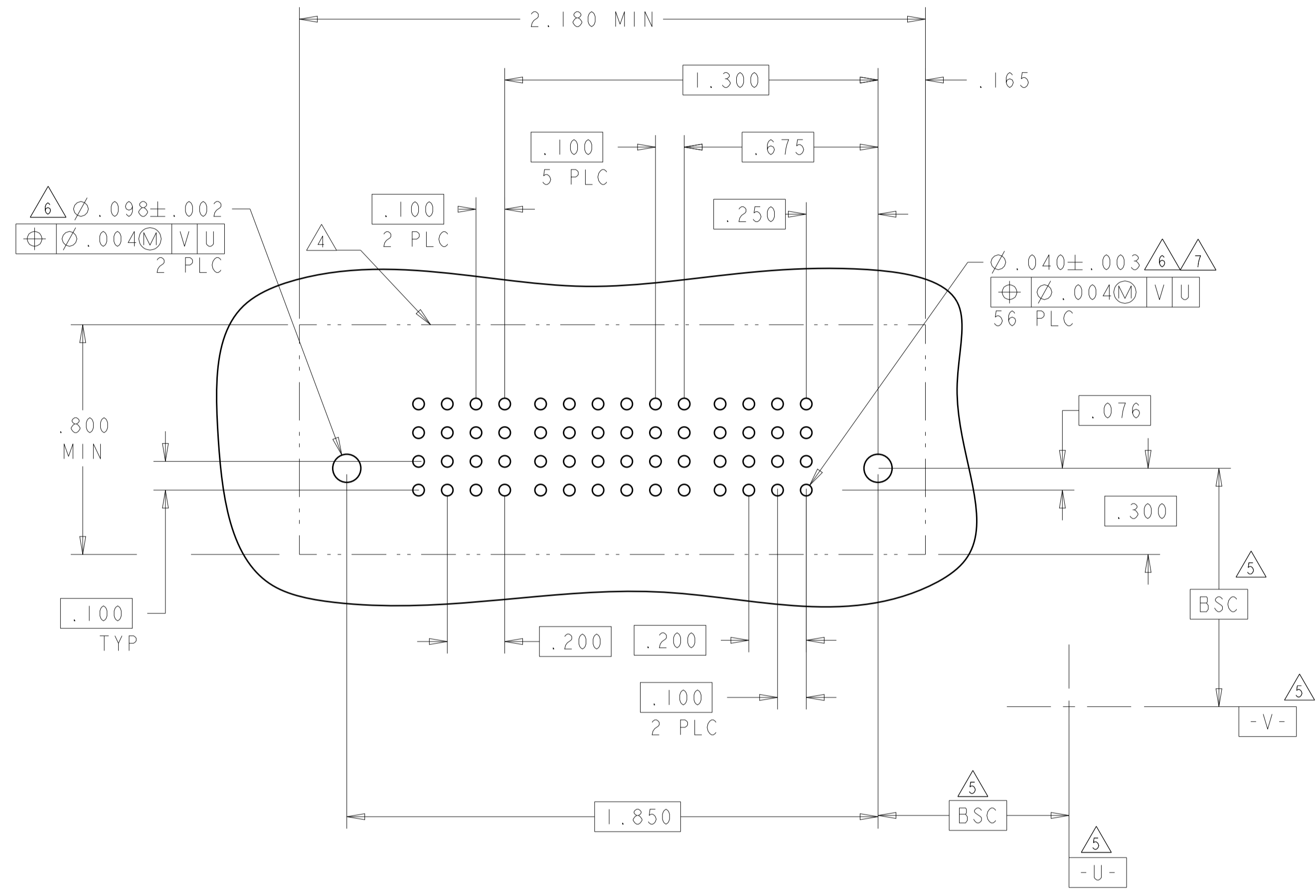
LOC	DIST	REV	DATE	BY	APPV
ES	00				

REVISIONS		DATE	BY	APPV
1	SEE SHEET 1			

PART NUMBER	ROWS	POWER		SIGNAL						POWER			
		P4	P3	6	5	4	3	2	1	P2	P1		
1892430-1	D C B A	GP	GP	AP	AP	AP	AP	AP	AP	AP	AP	GP	GP
				AP	AP	AP	AP	AP	AP	AP	AP		
				AP	AP	AP	AP	AP	AP	AP	AP		
2HDP + 24S + 2HDP													

ASSY PART NUMBER	ROWS	POWER						SIGNAL						POWER																			
		PI2	PI1	PI0	P9	P8	P7	6	5	4	3	2	1	P6	P5	P4	P3	P2	P1														
1892430-4	D C B A	GS	GS	GS	GS	GS	GS	AP	AP	AP	AP	AP	AP	AP	AP	AP	AP	AP	AP	GS	GS	GS	GS	GS	GS								
								AP	AP	AP	AP	AP	AP	AP	AP	AP	AP	AP	AP							AP	AP	AP	AP	AP	AP	AP	AP
								AP	AP	AP	AP	AP	AP	AP	AP	AP	AP	AP	AP							AP	AP	AP	AP	AP	AP	AP	AP
6P + 24S + 6P																																	



CODE	DESCRIPTION
AP	SIGNAL CONTACT
GP	POWER CONTACT, MFBL
GS	POWER CONTACT, STD
HD	HOLD DOWN

THIS DRAWING IS A CONTROLLED DOCUMENT.

DWN: C. ZHOU 11OCT2006  
 CHK: SUNY ZHAO 10OCT2006  
 APVD: S. YAO  
 NAME: S. YAO  
 PRODUCT SPEC: 108-1973  
 APPLICATION SPEC: 114-13038  
 WEIGHT: -  
 FINISH: -  
 ANGLE: 40°/30°

**STE** TE Connectivity  
 VERTICAL RECEPTACLE ASSEMBLY  
 PRESS FIT, W/GUIDES  
 MULTI-BEAM XL

SIZE: A1  
 CAGE CODE: 100779  
 DRAWING NO: 1892430  
 SCALE: 4:1  
 SHEET: 3 OF 5  
 REV: D4

Customer Drawing

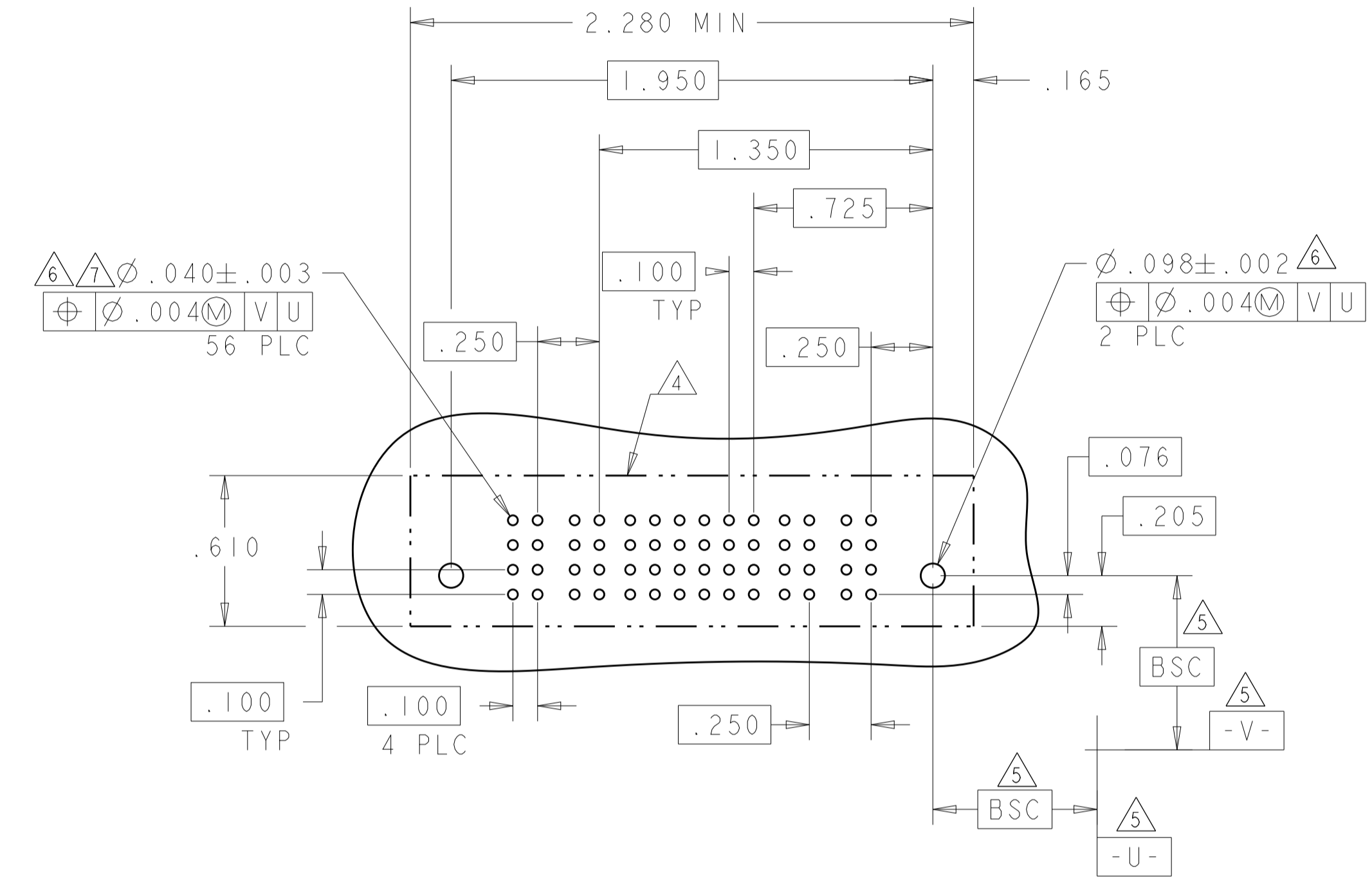
LOC	DIST	REVISIONS			
P	LTN	DESCRIPTION	DATE	DWN	APVD
-	-	SEE SHEET 1	-	-	-

PART NUMBER	ROWS	POWER				SIGNAL					POWER	
		P4	P3	6	5	4	3	2	1	P2	P1	
1892430-5	D C B A	GP	GP	AP	AP	AP	AP	AP	AP	AP	GP	GP
		AP	AP	AP	AP	AP	AP	AP	AP	AP	GP	GP
		AP	AP	AP	AP	AP	AP	AP	AP	AP	GP	GP

2P + 24S + 2P

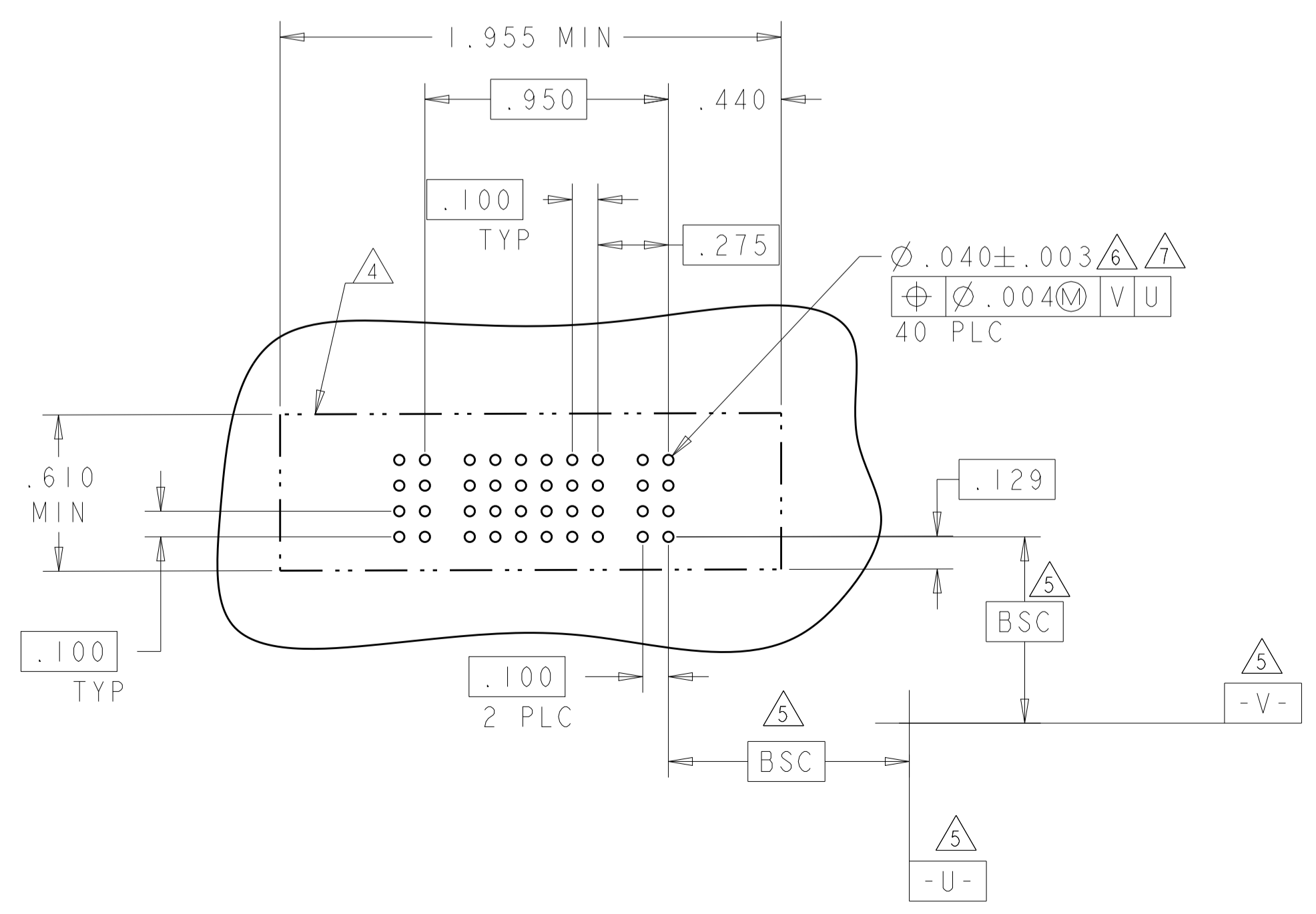
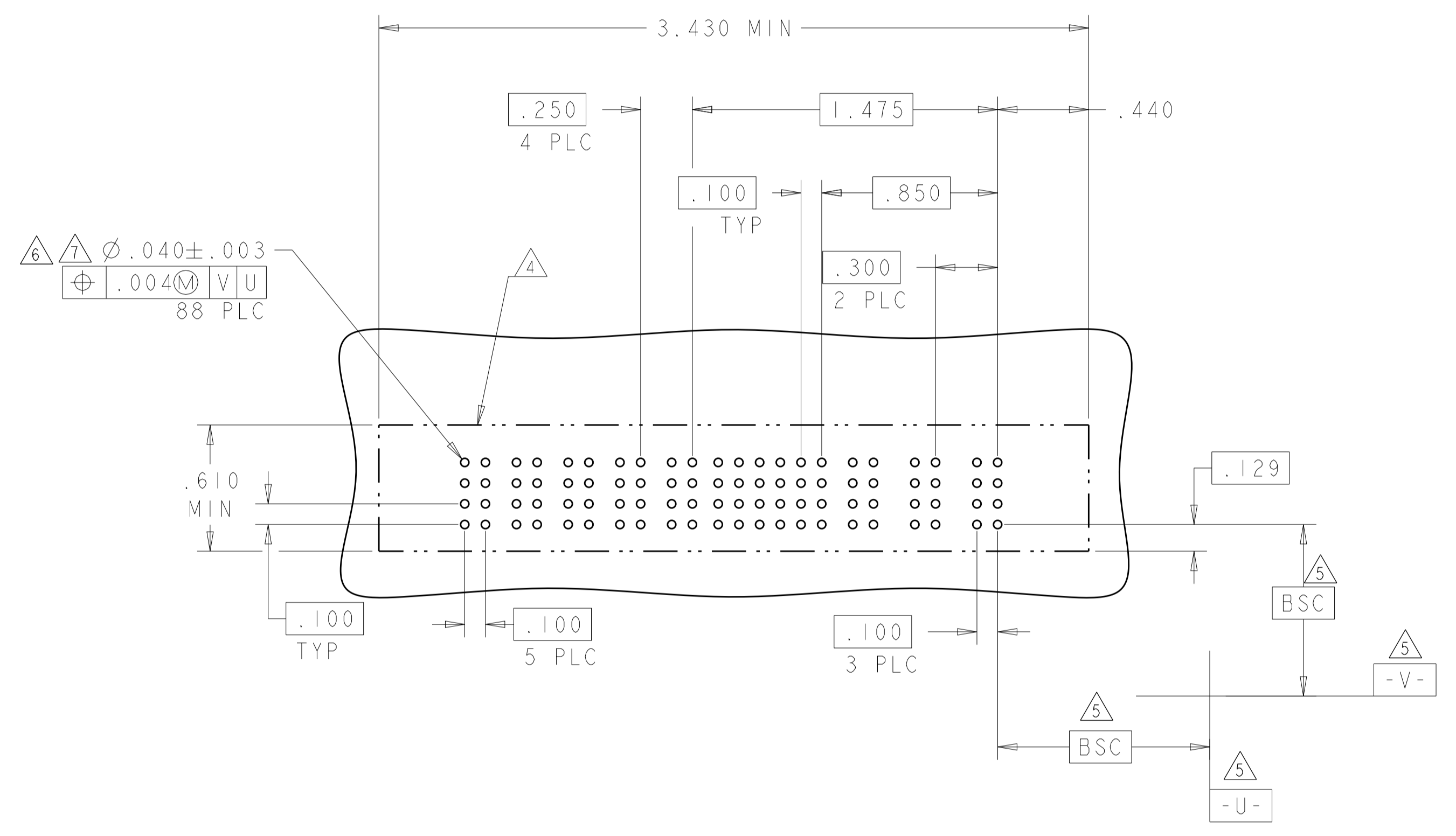
PART NUMBER	ROWS	POWER (L)				SIGNAL					POWER (R)			
		P8	P7	P6	P5	6	5	4	3	2	1	P3	P2	P1
1892430-3	D C B A	GS	GS	GS	GS	AP	AP	AP	AP	AP	AP	GP	GS	GS
		AP	AP	AP	AP	AP	AP	AP	AP	AP	AP	GP	GS	GS
		AP	AP	AP	AP	AP	AP	AP	AP	AP	AP	GP	GS	GS

3ACP + 24S + 5P



PART NUMBER	ROWS	POWER		SIGNAL					POWER	
		P2	6	5	4	3	2	1	P1	
1892430-2	D C B A	GP	AP	AP	AP	AP	AP	AP	GP	GP
		AP	AP	AP	AP	AP	AP	AP	GP	GP
		AP	AP	AP	AP	AP	AP	AP	GP	GP

1P + 24S + 1P



THIS DRAWING IS A CONTROLLED DOCUMENT.		DWN: C. ZHOU 11OCT2006	<b>STE</b> TE Connectivity
DIMENSIONS: INCHES		CHK: SUNY ZHAO 10OCT2006	
TOLERANCES UNLESS OTHERWISE SPECIFIED:		APVD: S. YAO	NAME: VERTICAL RECEPTACLE ASSEMBLY PRESS FIT, W/GUIDES MULTI-BEAM XL PRODUCT SPEC: 108-1973 APPLICATION SPEC: SIZE: 114-13038 WEIGHT: CAGE CODE: A100779 DRAWING NO: 1892430 SCALE: 4:1 SHEET 4 OF 5 REV: D4
0 PLC ±. 1 PLC ±.01 2 PLC ±.01 3 PLC ±.005 4 PLC ±.002 ANGLES ±.0020 FINISH 40°/30°		RESTRICTED TO	
MATERIAL:		Customer Drawing	
FINISH:			



## X-ON Electronics

Largest Supplier of Electrical and Electronic Components

*Click to view similar products for [Power to the Board](#) category:*

*Click to view products by [TE Connectivity](#) manufacturer:*

Other Similar products are found below :

[6450171-4](#) [6450552-7](#) [6600323-8](#) [6643429-1](#) [6646040-2](#) [6651939-1](#) [6766604-1](#) [120959-1](#) [1393557-2](#) [1393532-2](#) [1393532-3](#) [1393532-4](#)  
[1393557-1](#) [1600812-5](#) [1-6450861-2](#) [1744132-7](#) [1761122-1](#) [1766250-1](#) [1892109-1](#) [2-6450860-5](#) [2-6450870-0](#) [1-6450161-4](#) [1-6450850-6](#) [1-6450869-6](#) [1645526-2](#) [1-6600130-0](#) [2005243-2](#) [377-0020-11130](#) [TE34-12-16P-F0](#) [5-6450830-6](#) [5646956-4](#) [377-0080-11131A](#) [4-6450830-9](#)  
[4-6600333-3](#) [10125416-4050LF](#) [6600320-3](#) [3-6450860-5](#) [1888123-2](#) [6450166-1](#) [6643978-1](#) [6766605-1](#) [701-15-02109](#) [N11444](#) [6651938-1](#)  
[6450810-7](#) [46437-1112](#) [1-1589677-8](#) [5646956-5](#) [6450813-2](#) [6450129-4](#)