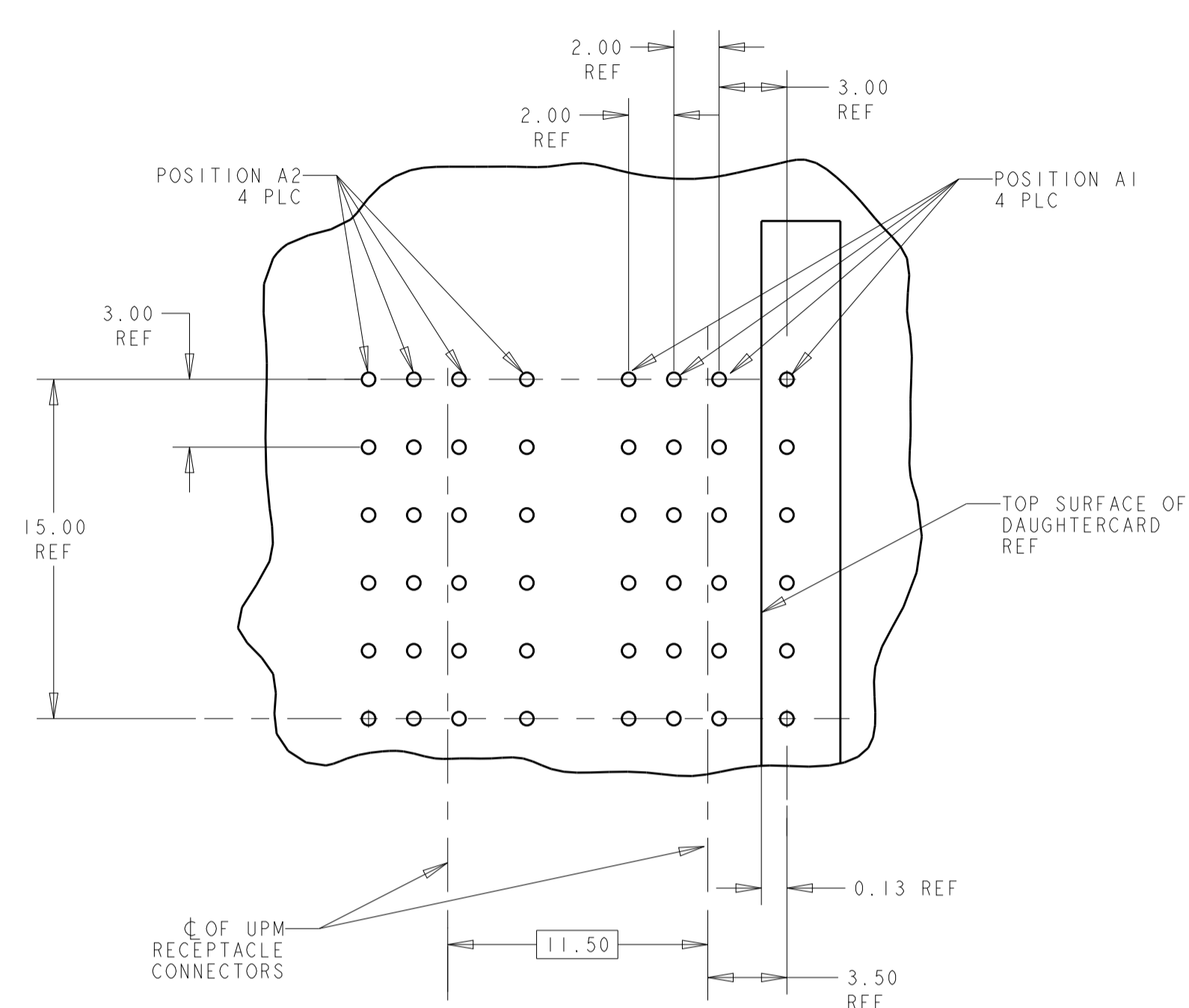
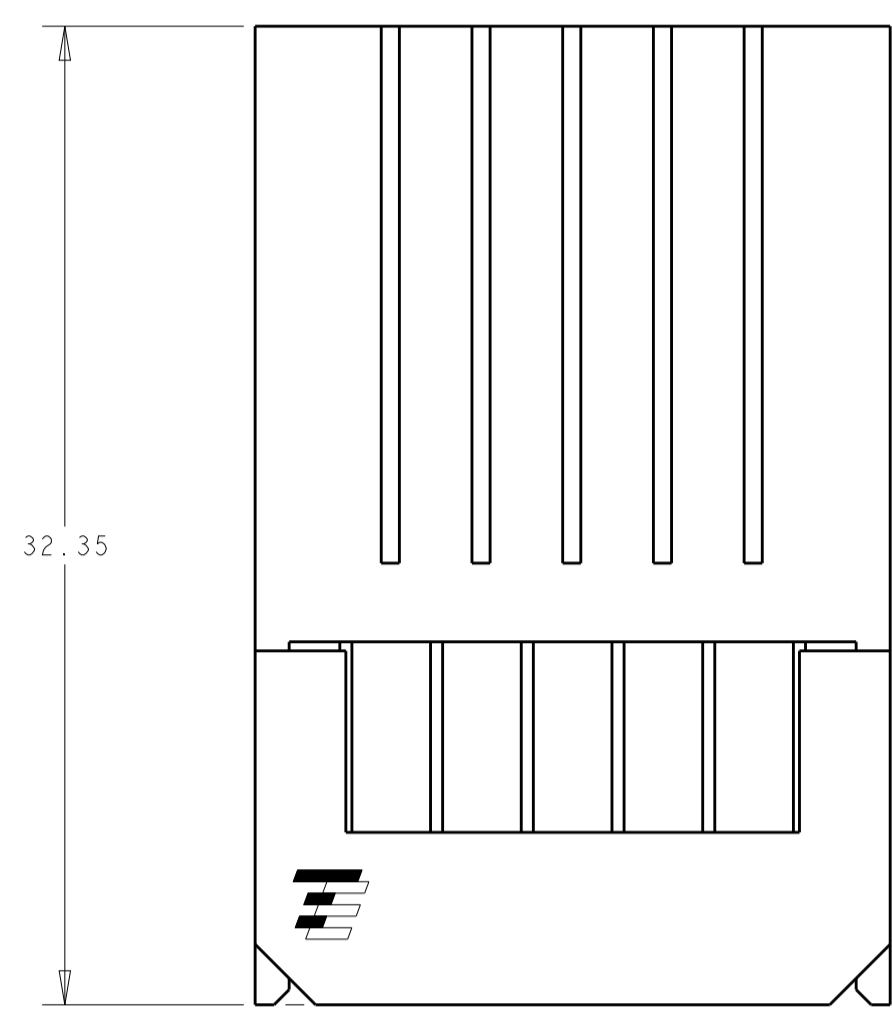


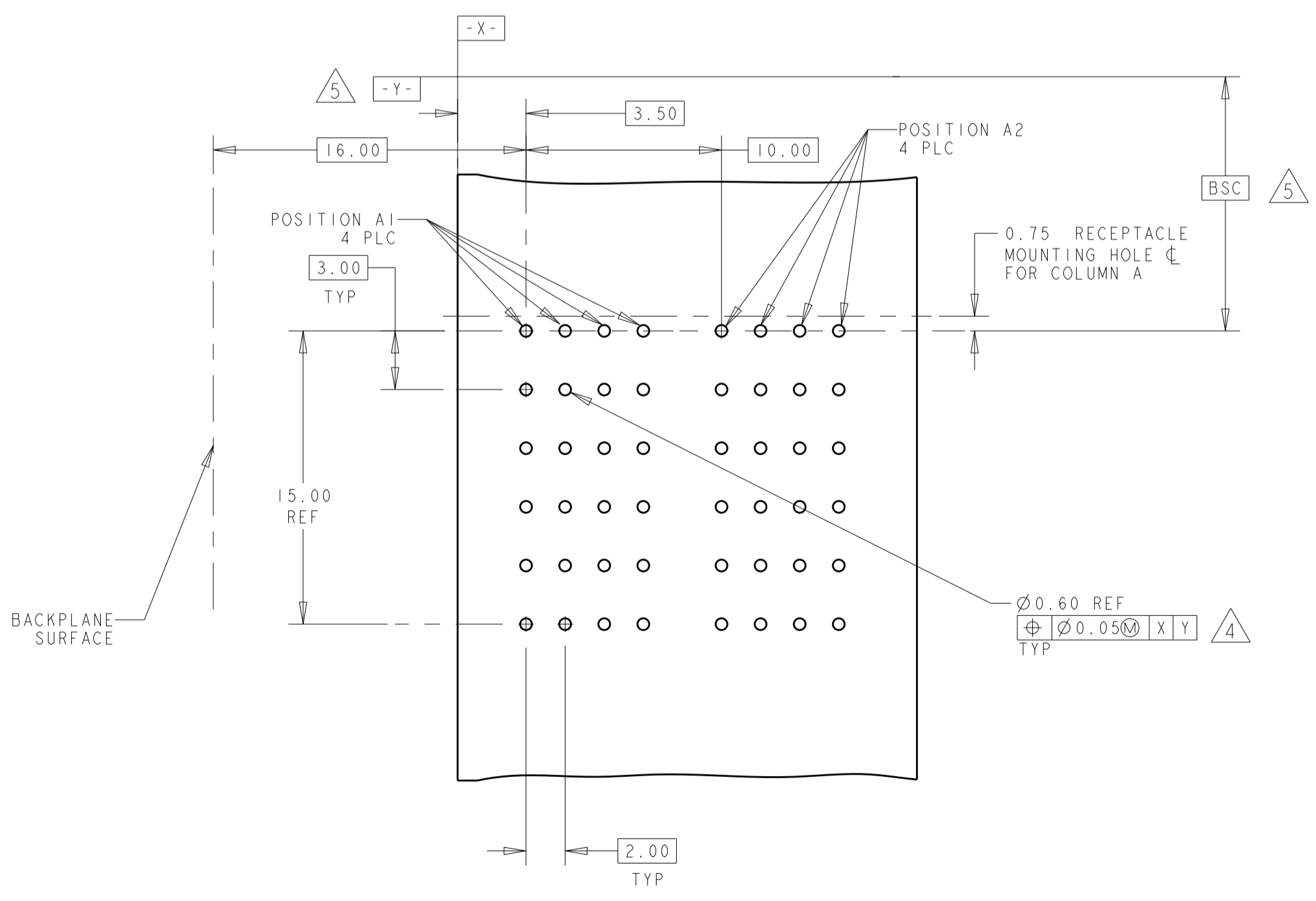
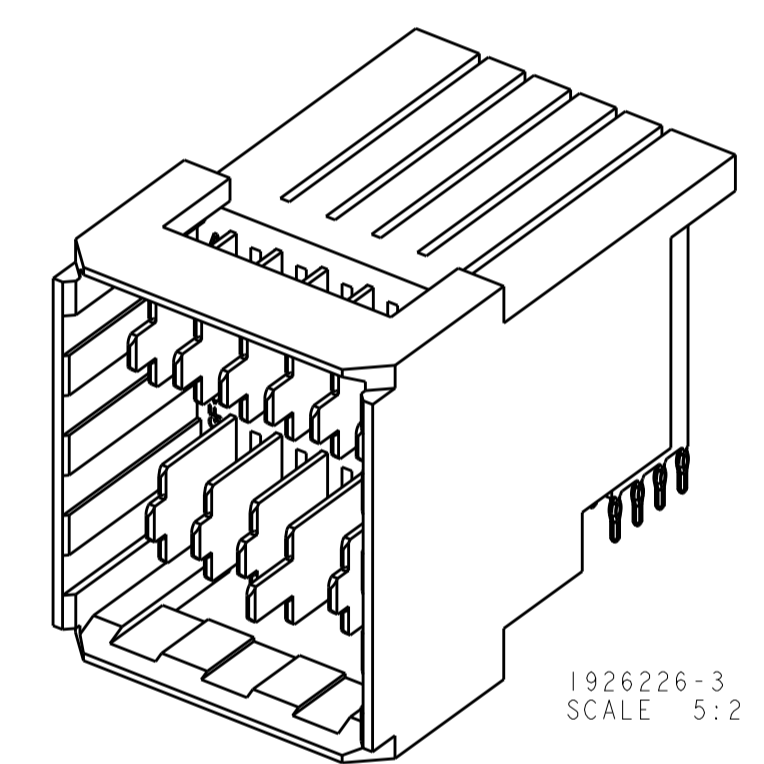
| LOC | DIST | REVISIONS | | | |
|-----|------|---------------|-----------|-----|------|
| P | LTN | DESCRIPTION | DATE | DMN | APVD |
| I | | FIRST RELEASE | 11OCT2012 | OL | SZ |



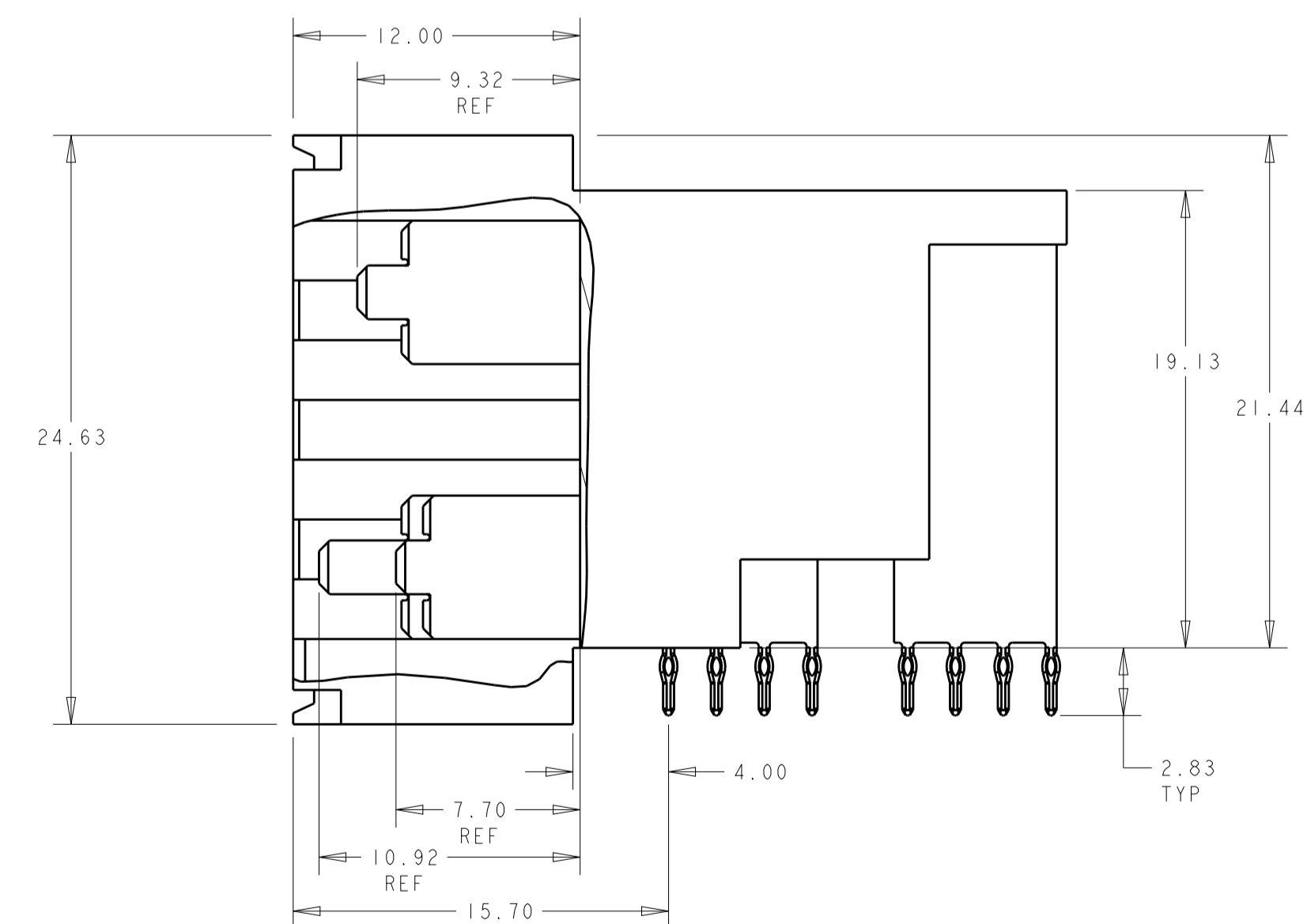
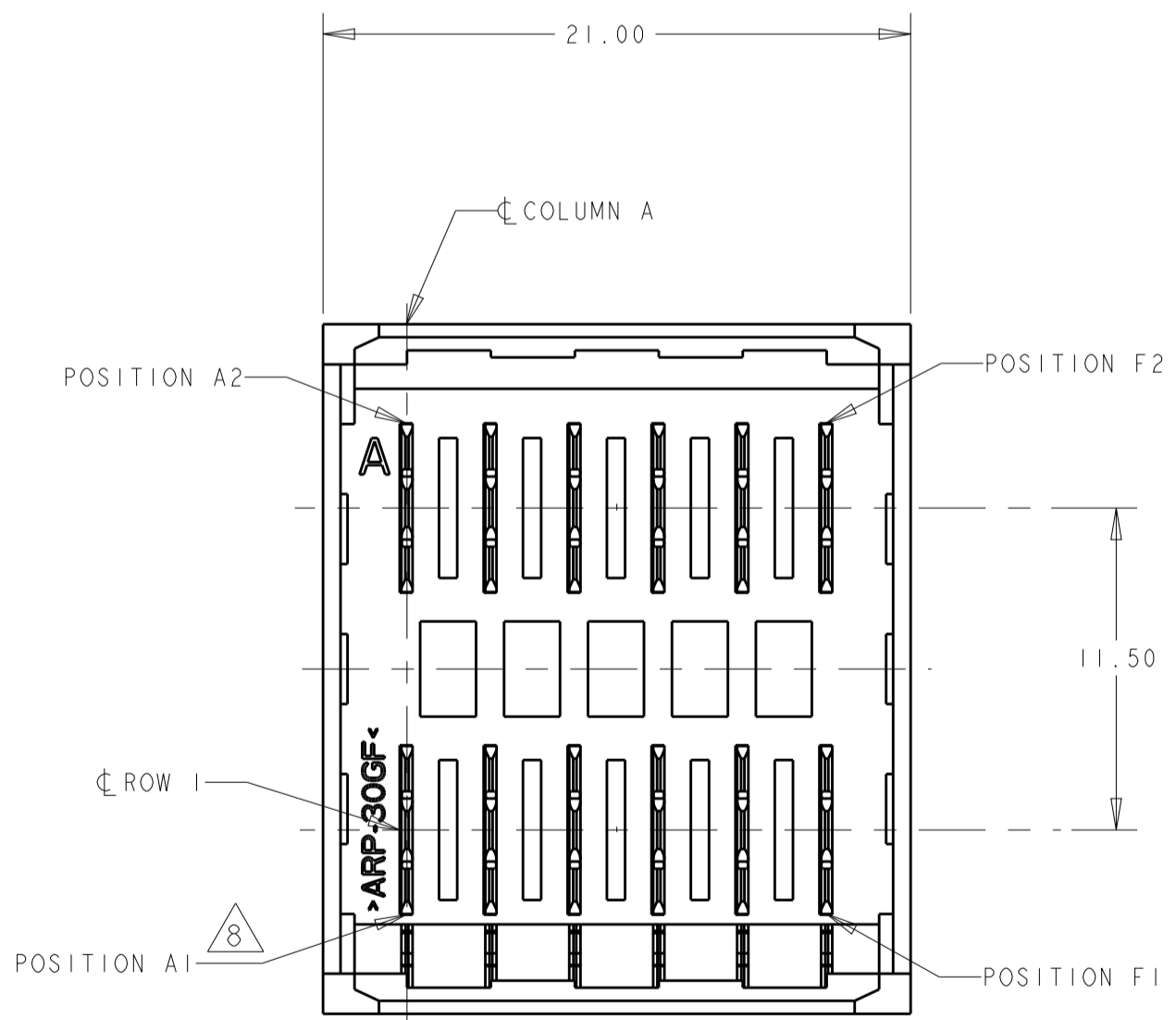
MATING RECEPTACLE PCB LAYOUT ³



- 1 MATERIAL: HOUSING: POLYESTER. COLOR: BLACK, UL 94 V-0
CONTACT: COPPER ALLOY.
- 2 FINISH: CONTACT MATING AREA: 0.0076 mm MIN GOLD PLATE OVER 0.00127 mm MIN NICKEL, OR 0.0005 mm MIN GOLD OVER 0.00064 mm PALLADIUM-NICKEL OVER 0.00127 mm MIN NICKEL.
COMPLIANT TAIL AREA: 0.0005 mm MIN BRIGHT TIN PLATE OVER 0.00127 mm NICKEL UNDERPLATE.
- 3 TAILS OF MATING UPM STYLE RECEPTACLE ARE OFFSET BY .75 mm FROM TAILS OF THIS CONNECTOR. SEE CUSTOMER DRAWING 120992 FOR RECEPTACLE EXAMPLE. SEE APPLICATION SPEC 114-1103 FOR MORE DETAILED DESCRIPTION OF THE TAIL OFFSETS.
- 4 PC BOARD HOLE SPECIFICATIONS:
DRILLED HOLE SIZE: 0.700±0.02 mm
FINISHED HOLE SIZE: 0.60±0.05 mm
PLATING THICKNESS:
0.025 - 0.050 mm COPPER
0.004 - 0.010 mm HASL TIN
0.0005 mm MIN IMMERSION TIN
0.0002 - 0.0005 mm OSP
0.0001mm MIN IMMERSION SILVER
0.0001-0.0005 mm IMMERSION GOLD OVER 0.004-0.005 mm NICKEL
- 5 DATUM AND BASIC DIMENSIONS ESTABLISHED BY CUSTOMER.
- 6 MINIMUM REQUIRED PC BOARD THICKNESS IS 1.4mm.
- 7 CONTACT AREA LUBRICATED WITH BELLCORE APPROVED LUBRICANT. TECHNICAL REFERENCE GR-1217-CORE, ISSUE 1 NOVEMBER 1995.
- 8 POSITION A1 IS AT MATERIAL ID.



RECOMMENDED PCB LAYOUT ⁶



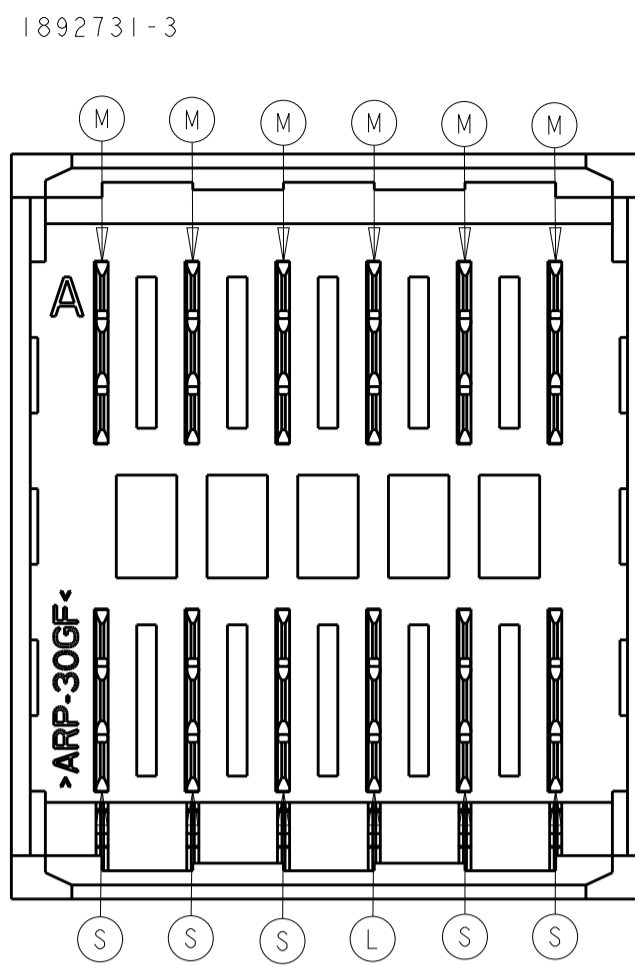
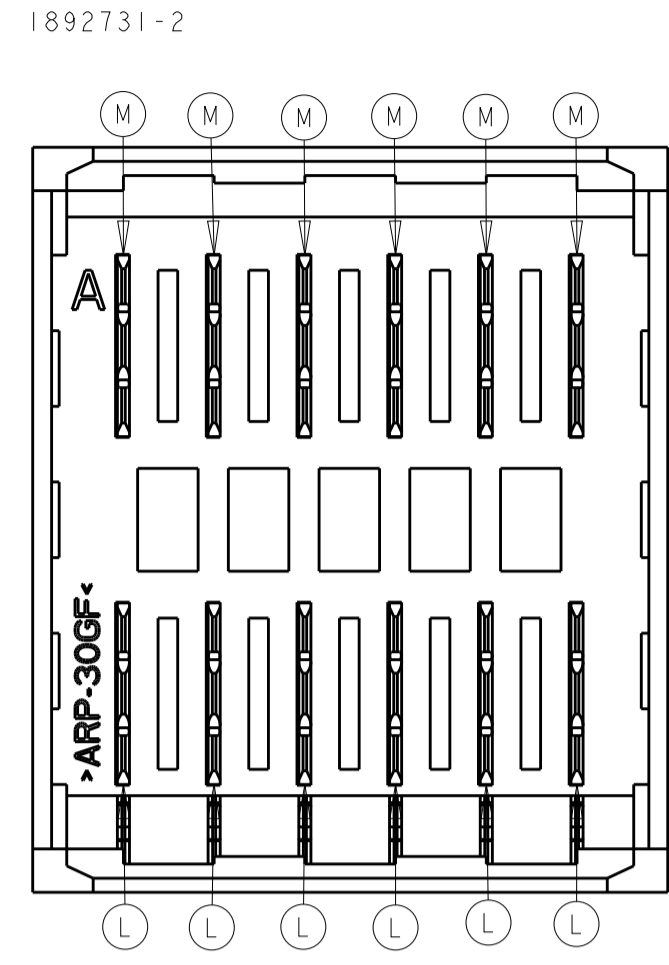
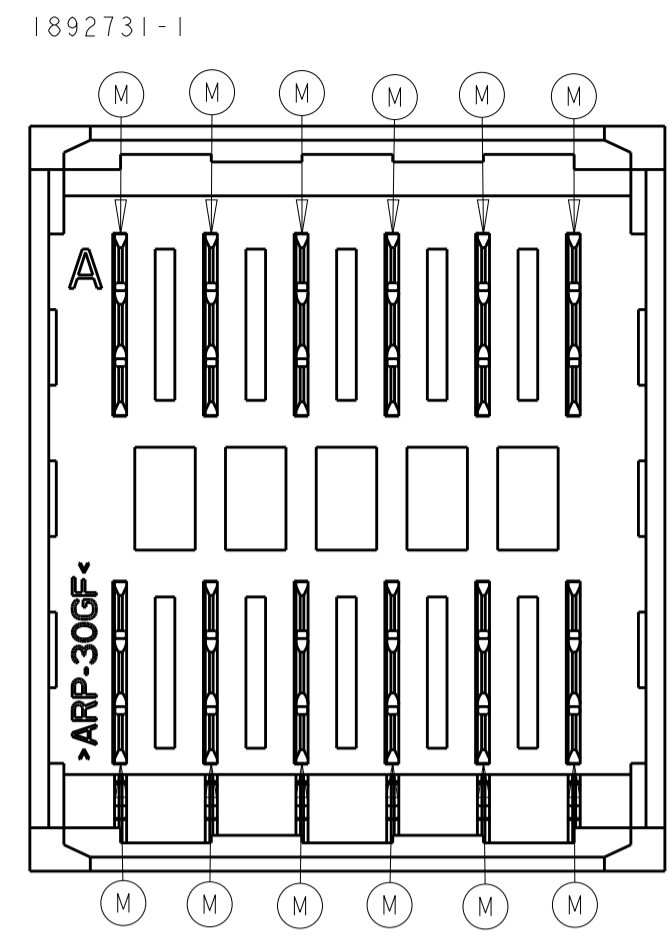
| D1 | A2,B2,C2,D2,E2,F2 | A1,B1,C1,E1,F1 | 1892731-3 |
|-----------------------------------------------|------------------------------------------------|-----------------------------------------------|-----------|
| A1,B1,C1,D1,E1,F1 | A2,B2,C2,D2,E2,F2 | - | 1892731-2 |
| - | ALL | - | 1892731-1 |
| POSITIONS LOADED WITH LONG 10.92 REF CONTACTS | POSITIONS LOADED WITH MIDDLE 9.32 REF CONTACTS | POSITIONS LOADED WITH SHORT 7.70 REF CONTACTS | PART NO |

| | | | | | | | |
|-------------------------------------------------------------------------------------------------------|--|---------------------------------------------------------------|--|-----------------------------------------------------------------------------------------------------------------------------------------------------------------|--|-----------------------------------------------------------------------------------------------------------------------------------------------------------------------------------------------------------------|--|
| DIMENSIONS: mm 0 PLC ±.25 1 PLC ±.25 2 PLC ±.25 3 PLC ±.25 4 PLC ±.25 ANGLES ±1° | | TOLERANCES UNLESS OTHERWISE SPECIFIED: FINISH ² | | DWN ORANDO LL 11OCT2012 CHK OIL 11OCT2012 APVD SUNY ZHAO 11OCT2012 PRODUCT SPEC 108-2289 APPLICATION SPEC 114-13269 WEIGHT - Customer Drawing | | Tyco Electronics Harrisburg, PA 17105-3608 NAME ASSEMBLY, RIGHT ANGLE CONNECTOR MINIPAK HDE 2X6 POSITION SIZE CAGE CODE DRAWING NO RESTRICTED TO A 100779 C=1892731 SCALE 3:1 SHEET 1 OF 2 REV 1 | |
|-------------------------------------------------------------------------------------------------------|--|---------------------------------------------------------------|--|-----------------------------------------------------------------------------------------------------------------------------------------------------------------|--|-----------------------------------------------------------------------------------------------------------------------------------------------------------------------------------------------------------------|--|

THIS DRAWING IS UNPUBLISHED. RELEASED FOR PUBLICATION 20
 COPYRIGHT 20 BY TYCO ELECTRONICS CORPORATION. ALL RIGHTS RESERVED.

| LOC | | DIST | | REVISIONS | | | |
|-----|----|------|-----|-------------|------|-----|------|
| GS | 00 | P | LTH | DESCRIPTION | DATE | DWN | APVD |
| | | - | | SEE SHEET 1 | | - | - |
| | | | | | | | |
| | | | | | | | |

SEQUENCE LOADING PATTERNS VIEWED INTO MATING FACE OF CONNECTOR



| | | | |
|---------------------------------------------------------------------------------------------------------------------------------------------------------------------------------------------------------------------------------------------------------------------------------------------------------------------------------------------------|----------------------------------------------------------------------------------------------------------------------------|----------------------------------------------------------------------------------------------------------------------------------------------|-------------------------------------------------------------------------------------------------------------|
| <small>THIS DRAWING IS UNPUBLISHED. RELEASED FOR PUBLICATION 20. COPYRIGHT 20 BY TYCO ELECTRONICS CORPORATION. ALL RIGHTS RESERVED.</small> <small>IT IS THE POLICY OF TYCO ELECTRONICS CORPORATION TO CONTROL AND RESTRICT THE DISTRIBUTION OF THIS DRAWING TO THE EXTENT NECESSARY TO PROTECT THE COMPANY'S PROPRIETARY INFORMATION.</small> | | DWN: ORANDO LL 17OCT2012 CHK: OL 17OCT2012 APVD: SUNY ZHAO 17OCT2012 | Tyco Electronics Harrisburg, PA 17105-3608 |
| DIMENSIONS: mm | TOLERANCES UNLESS OTHERWISE SPECIFIED: 0 PLC ±.25 1 PLC ±.25 2 PLC ±.25 3 PLC ±.25 4 PLC ±.25 ANGLES ±1° | NAME: ASSEMBLY, RIGHT ANGLE CONNECTOR MINIPAK HDE 2X6 POSITION PRODUCT SPEC: 108-2289 APPLICATION SPEC: 114-13269 | SIZE: A CAGE CODE: 00779 DRAWING NO: 1892731 RESTRICTED TO: Customer Drawing |
| MATERIAL: | FINISH: | WEIGHT: | SCALE: 4:1 SHEET 2 OF 2 REV 1 |

X-ON Electronics

Largest Supplier of Electrical and Electronic Components

Click to view similar products for [Heavy Duty Power Connectors](#) category:

Click to view products by [TE Connectivity](#) manufacturer:

Other Similar products are found below :

[1424439](#) [1424438](#) [09330062652](#) [2-8675P1](#) [580129-2](#) [605601-1](#) [6340G1](#) [6341G1](#) [6360G1](#) [6373G1](#) [6374g2](#) [6396G1](#) [647757-1](#) [66394-4](#)
[6643411-1](#) [6646058-2](#) [6646137-1](#) [6646138-1](#) [6646348-1](#) [6646479-1](#) [6646608-1](#) [6646786-1](#) [6646940-1](#) [6651091-1](#) [6651525-1](#) [6651529-1](#)
[6651778-1](#) [6651788-1](#) [696465-1](#) [696475-1](#) [73000005059](#) [73000005349](#) [73000005642](#) [73080255059](#) [73080965046](#) [765-15-0080A](#)
[765-16-0080B](#) [789.700-44](#) [789.700-54](#) [80-1010](#) [80-9](#) [827381-1](#) [829992-1](#) [902-77-02113](#) [PL00U-301-10D10](#) [PM103MOOLOO](#)
[PM16S1620S32-50](#) [PM212MOOLOO](#) [PM309FOOLOO](#) [PM324FOOLCH](#)