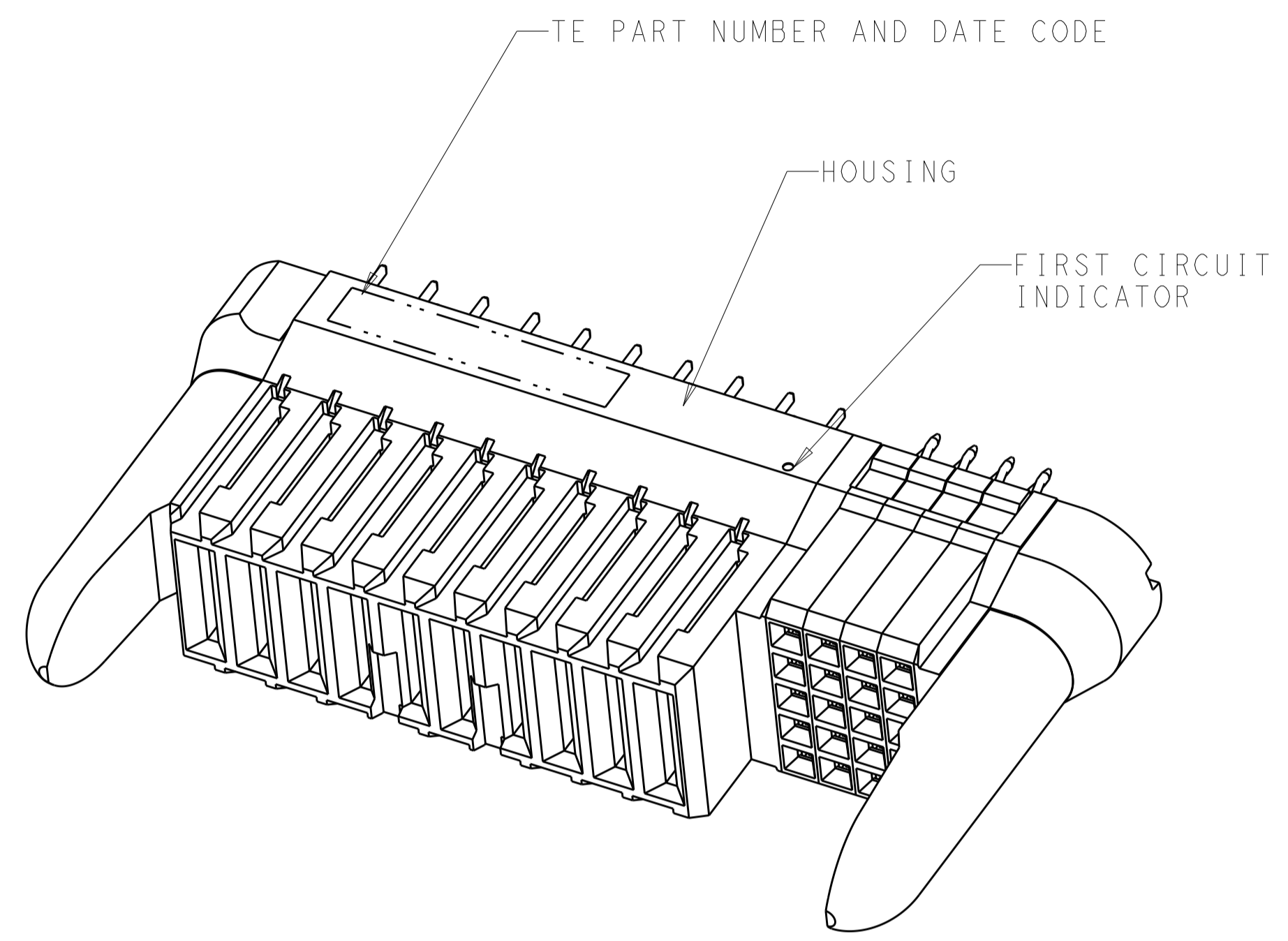
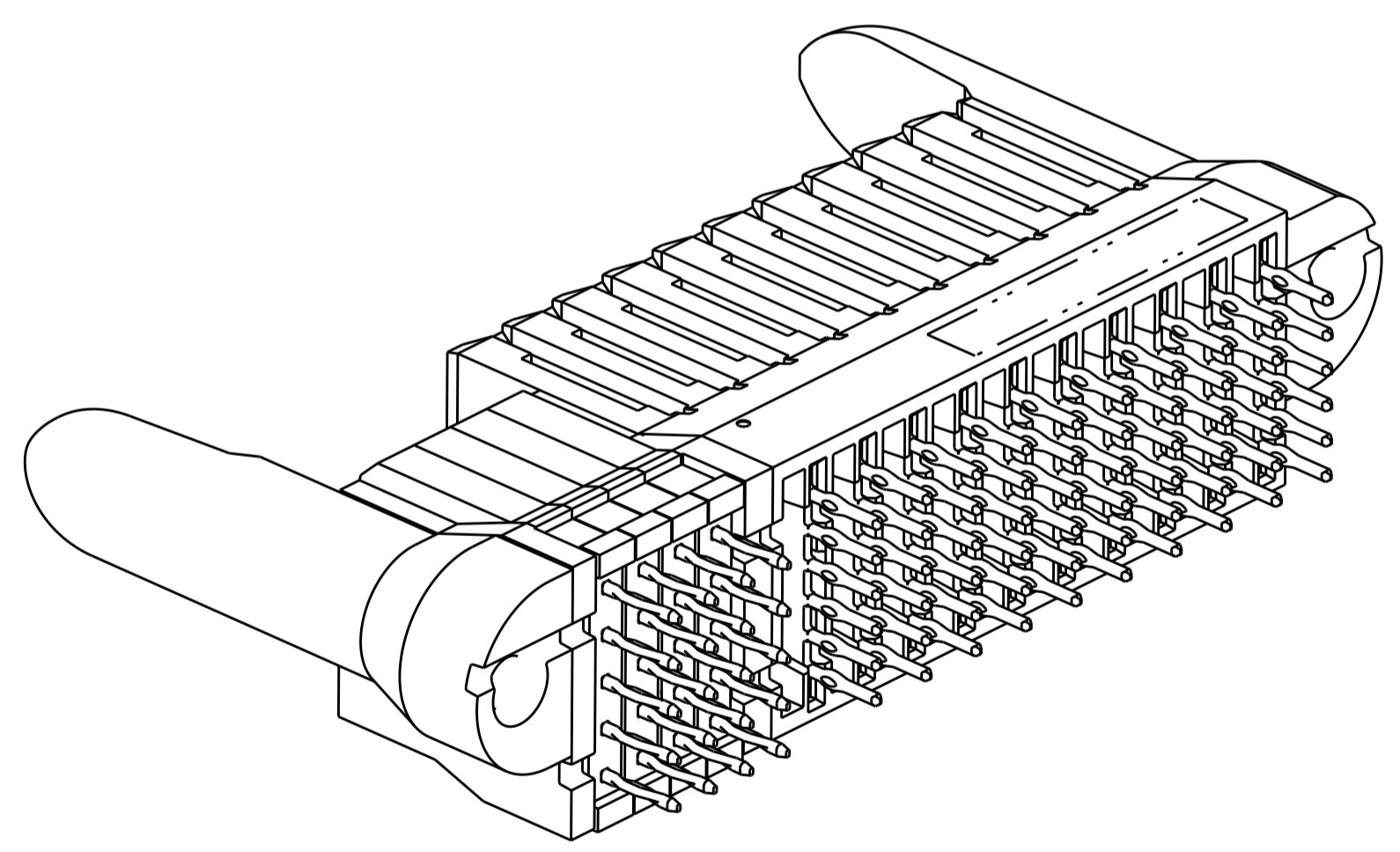


LOC		DIST		REVISIONS			
AA		00		REV	DATE	BY	CHK
A9				ADD NEW PARTS	15OCT2014	OL	SZ
A10				ECR-15-001425	22DEC2014	SZ	SZ



- HOUSING: GLASS FILLED LIQUID CRYSTAL POLYMER, COLOR: BLACK, UL 94 V-O RATED
 SIGNAL CONTACT: PHOSPHOR BRONZE
 SIGNAL OVERMOLD: GLASS FILLED POLYESTER
 POWER CONTACT: COPPER ALLOY
- SIGNAL CONTACT: 0.00127mm MIN NICKEL ALL OVER,
 MATING AREA: 0.00076mm MIN GOLD OR 0.00008mm MIN GOLD OVER
 0.00076mm MIN PALLADIUM-NICKEL,
 TAIL AREA: 0.0005mm MIN MATTE TIN
 POWER CONTACT: 0.00127mm MIN NICKEL ALL OVER,
 MATING AREA: 0.00076mm MIN GOLD OR 0.00008mm MIN GOLD OVER
 0.00076mm MIN PALLADIUM-NICKEL,
 TAIL AREA: 0.0005mm MIN MATTE TIN
- CONTACT MATING AREA LUBRICATED WITH BELLCORE APPROVED LUBRICANT,
 TECHNICAL REFERENCE: GR-1217-CORE, ISSUE 1, NOVEMBER 1995
- THIS CONNECTOR EMPLOYS UL RECOGNIZED Z-PACK 2mm HM SIGNAL CONTACTS
- DATUMS AND BASIC DIMENSIONS TO BE ESTABLISHED BY CUSTOMER
- SEE APPLICATION SPEC 114-13215 FOR PLATED THROUGH HOLE INFORMATION
- SEE CUSTOMER DRAWING 1926730 OR 1926732 FOR MATING CONNECTOR
- UNPLATED HOLES

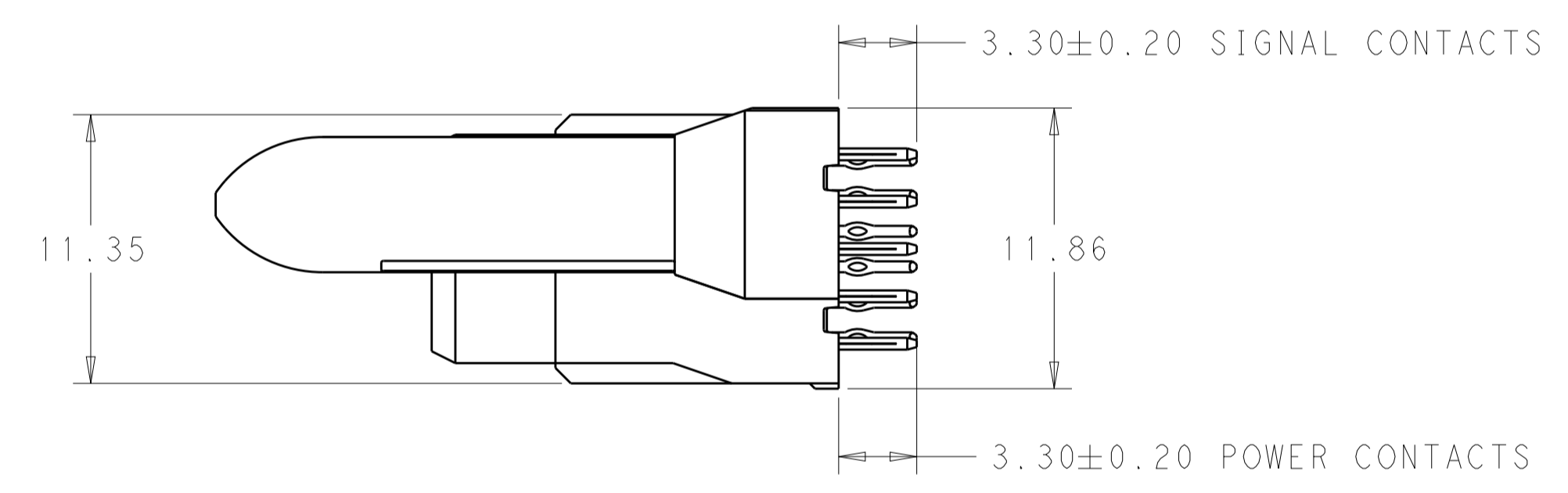
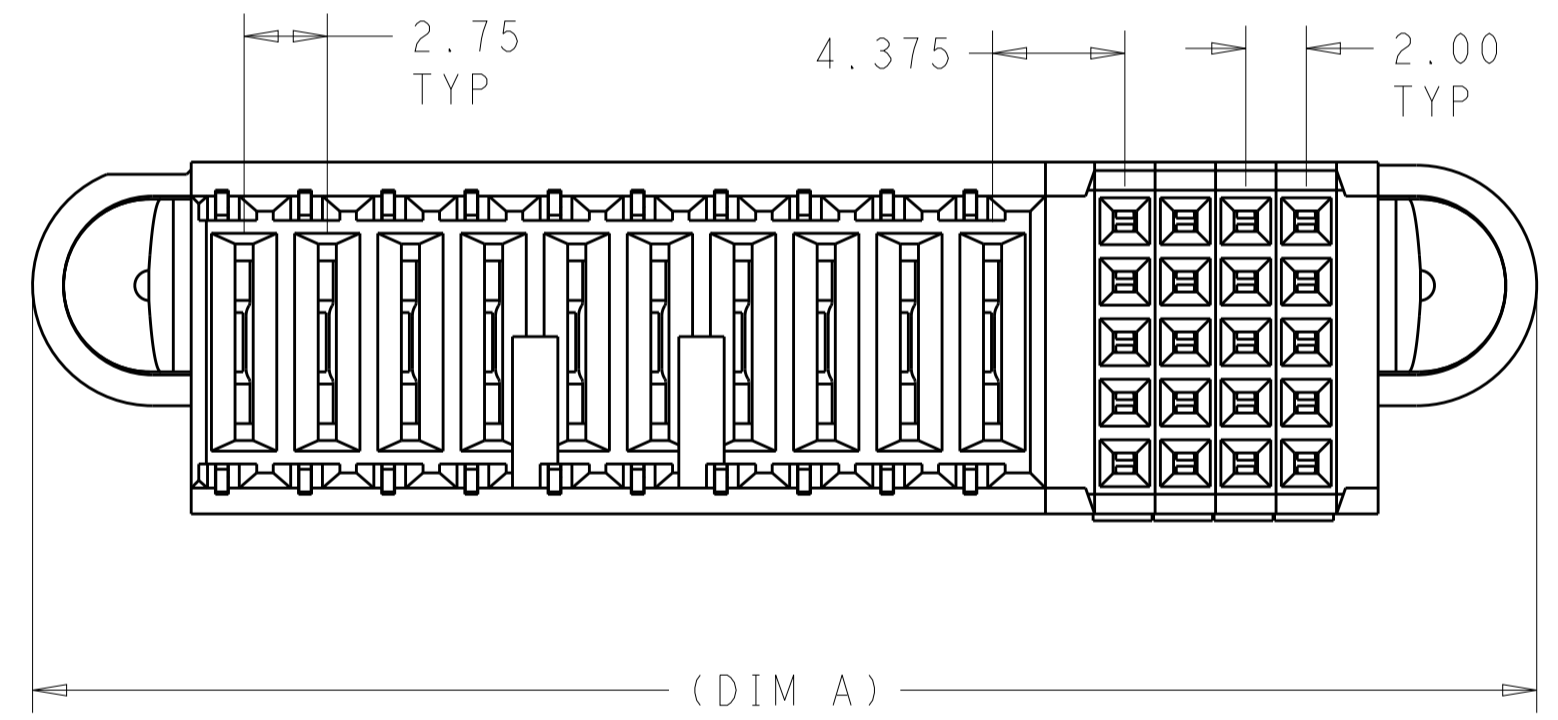
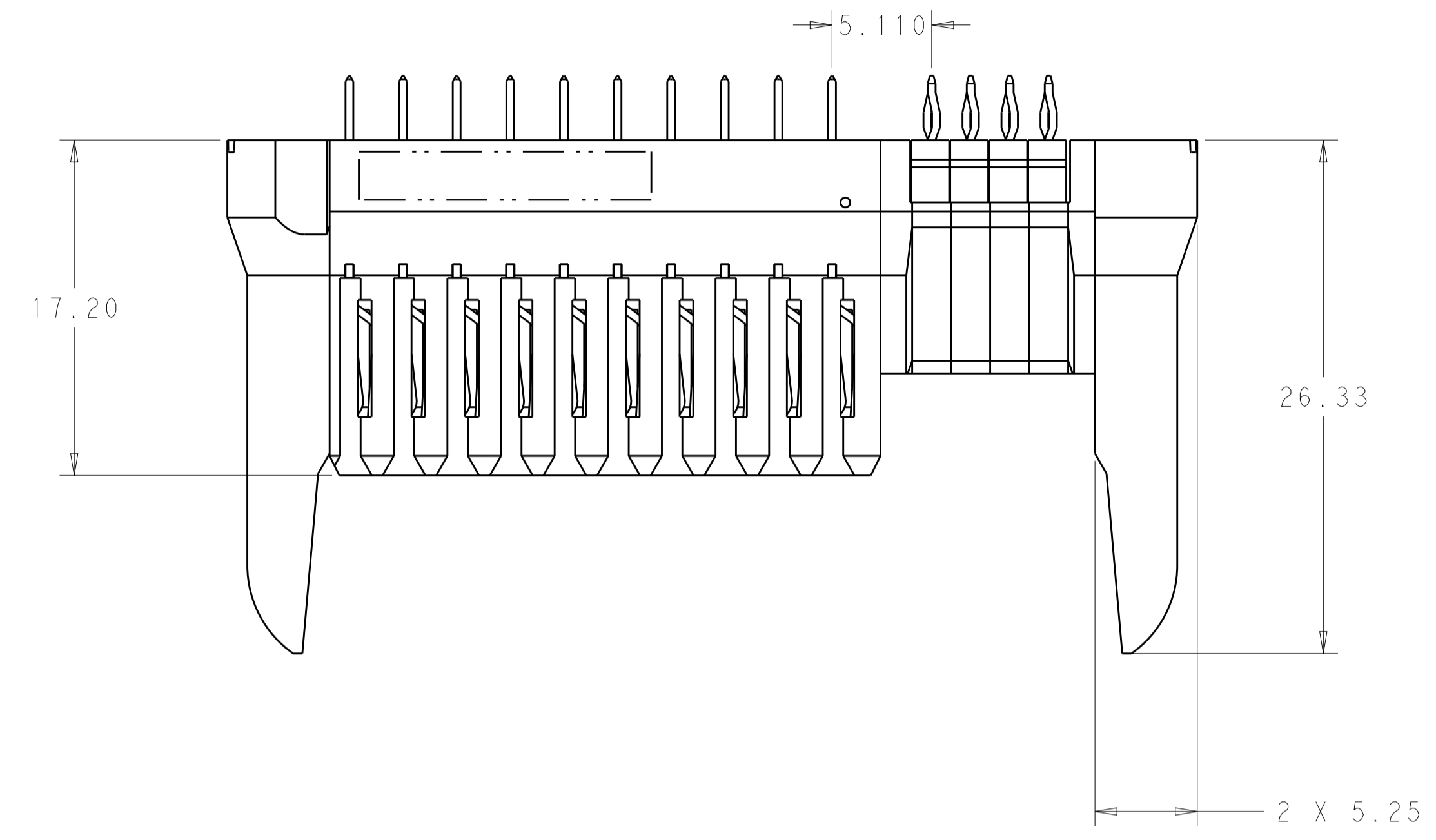


12	10	1	1	18.95	23.74	10S X 2P	1-1892787-4
12	15	1	2	20.95	25.74	15S X 2P	1-1892787-3
12	25	1	4	24.95	29.74	25S X 2P	1-1892787-2
120	35	19	6	78.45	83.24	35S X 20P	1-1892787-1
108	35	17	6	72.95	77.74	35S X 18P	1-1892787-0
48	20	7	3	39.45	44.24	20S X 8P	1892787-9
60	25	9	4	46.95	51.74	25S X 10P	1892787-6
24	20	3	3	28.45	33.24	20S X 4P	1892787-4
24	10	3	1	24.45	29.24	10S X 4P	1892787-2
F PLC	E PLC	D SPACES	C SPACES	DIM B	DIM A	NO OF POSITIONS	PART NUMBER

THIS DRAWING IS A CONTROLLED DOCUMENT.

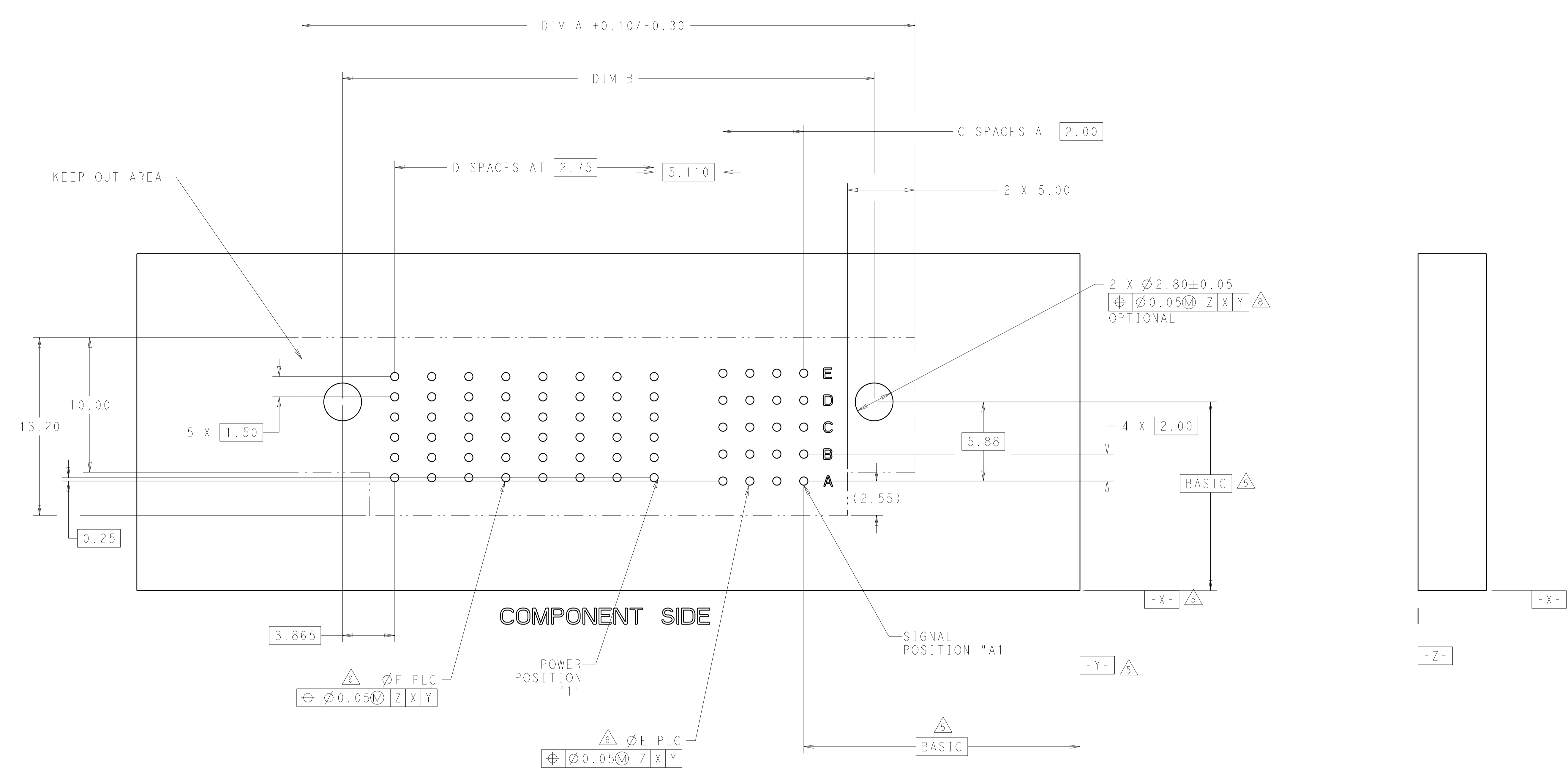
DIMENSIONS:	TOLERANCES UNLESS OTHERWISE SPECIFIED:	OWN	28OCT2011
mm	0 PLC ±	ORANDO LI	28OCT2011
	1 PLC ±0.13	SUNY ZHAO	28OCT2011
	2 PLC ±	SUNY ZHAO	28OCT2011
	3 PLC ±		
	4 PLC ±		
	ANGLES ±		
MATERIAL SEE NOTE 1	FINISH SEE NOTE 2	NAME	RECEPTACLE ASSEMBLY, VERTICAL, PASSIVE GUIDE, SIGNAL/POWER, SCREW MOUNT OPTION, MINIPAK HDL
		PRODUCT SPEC	108-2325
		APPLICATION SPEC	114-13215
		SIZE	A100779
		WEIGHT	1892787
		Customer Drawing	SCALE 2:1 SHEET 1 OF 3 REV A10

LOC		DIST		REVISIONS			
P	LTN	DESCRIPTION	DATE	DMN	APVD		
-	-	SEE SHEET 1	-	-	-		



THIS DRAWING IS A CONTROLLED DOCUMENT.		DMN: ORANDO LL 28OCT2011	TE Connectivity
DIMENSIONS: mm		CHK: SUNY ZHAO 28OCT2011	
TOLERANCES UNLESS OTHERWISE SPECIFIED:		APVD: SUNY ZHAO 28OCT2011	NAME: RECEPTACLE ASSEMBLY, VERTICAL, PASSIVE GUIDE, SIGNAL/POWER, SCREW MOUNT OPTION, MINIPAK HDL
0 PLC ±		PRODUCT SPEC	
1 PLC ±0.13		108-2325	SIZE: A100779 C=1892787
2 PLC ±		APPLICATION SPEC	
3 PLC ±		114-13215	RESTRICTED TO: -
4 PLC ±		WEIGHT: -	
ANGLES ±		FINISH: SEE NOTE 2	SCALE: 2:1 SHEET 2 OF 3 REV: A10
MATERIAL: SEE NOTE 1		Customer Drawing	

LOC		DIST		REVISIONS			
AA	00	P	LTN	DESCRIPTION	DATE	DMN	APVD
		-		SEE SHEET 1		-	-



RECOMMENDED PRINTED CIRCUIT BOARD LAYOUT
 (COMPONENT SIDE OF BOARD SHOWN)

THIS DRAWING IS A CONTROLLED DOCUMENT.		DMN: ORANDO 11 28OCT2011	TE Connectivity
DIMENSIONS: mm		CHK: SUNY ZHAO 28OCT2011	
TOLERANCES UNLESS OTHERWISE SPECIFIED:		APVD: SUNY ZHAO 28OCT2011	NAME: RECEPTACLE ASSEMBLY, VERTICAL, PASSIVE GUIDE, SIGNAL/POWER, SCREW MOUNT OPTION, MINIPAK HDL SIZE: A1 CAGE CODE: 100779 DRAWING NO: 1892787 RESTRICTED TO:
0 PLC ± 1 PLC ±0.13 2 PLC ± 3 PLC ± 4 PLC ± ANGLES ±		PRODUCT SPEC: 108-2325 APPLICATION SPEC: 114-13215 WEIGHT:	
MATERIAL: SEE NOTE 1		FINISH: SEE NOTE 2	
Customer Drawing		SCALE: 2:1 SHEET 3 OF 3 REV: A10	

X-ON Electronics

Largest Supplier of Electrical and Electronic Components

Click to view similar products for [Board to Board & Mezzanine Connectors](#) category:

Click to view products by [TE Connectivity](#) manufacturer:

Other Similar products are found below :

[589158040000018](#) [MDF7C-18P-2.54DSA\(55\)](#) [FCN-230C068-11](#) [FCN-268F012-G/BD](#) [FCN-268F036-G/BD](#) [FCN-268M012-G/0D](#) [FCN-268M024-G/1D](#) [FCN-723J004/1](#) [MIS-048-01-F-D-DP-K](#) [832-10-034-10-001000](#) [FX4C-80S-1.27DSA](#) [FCN-214Q030-G/0](#) [FCN-234P048-G/0](#) [FCN-235D050-G/C](#) [210-93-314-41-105000](#) [2-22603-0](#) [MDF7-40DP-2.54DSA\(55\)](#) [AXG720047](#) [5031084030](#) [MIT-114-03-F-D-K](#) [55323-1519](#) [DF33-2P-3.3DSA\(24\)](#) [YFT-20-05-H-03-SB-K](#) [503308-3040](#) [026-6203-PDB](#) [027-6203-PDB](#) [069159702701000](#) [10123981-102LF](#) [101A10019X](#) [55650-0588-C](#) [68682-310LF](#) [68684-306](#) [75140-7012](#) [87471-650](#) [194261-1](#) [FCN-268F024-G0D](#) [10124054-515LF](#) [68685-603](#) [8-1616154-3](#) [MIS-019-01-F-D](#) [FCN-268M024-G/3D](#) [20021832-06016C1LF](#) [KX15-20KLDL-E1000E](#) [MDF7-16DP-2.54DSA\(55\)](#) [AXE810124](#) [FCN-214J100-G/0](#) [FCN-230C068-E/S](#) [AXE812124](#) [AXE816124](#) [AXE720127](#)