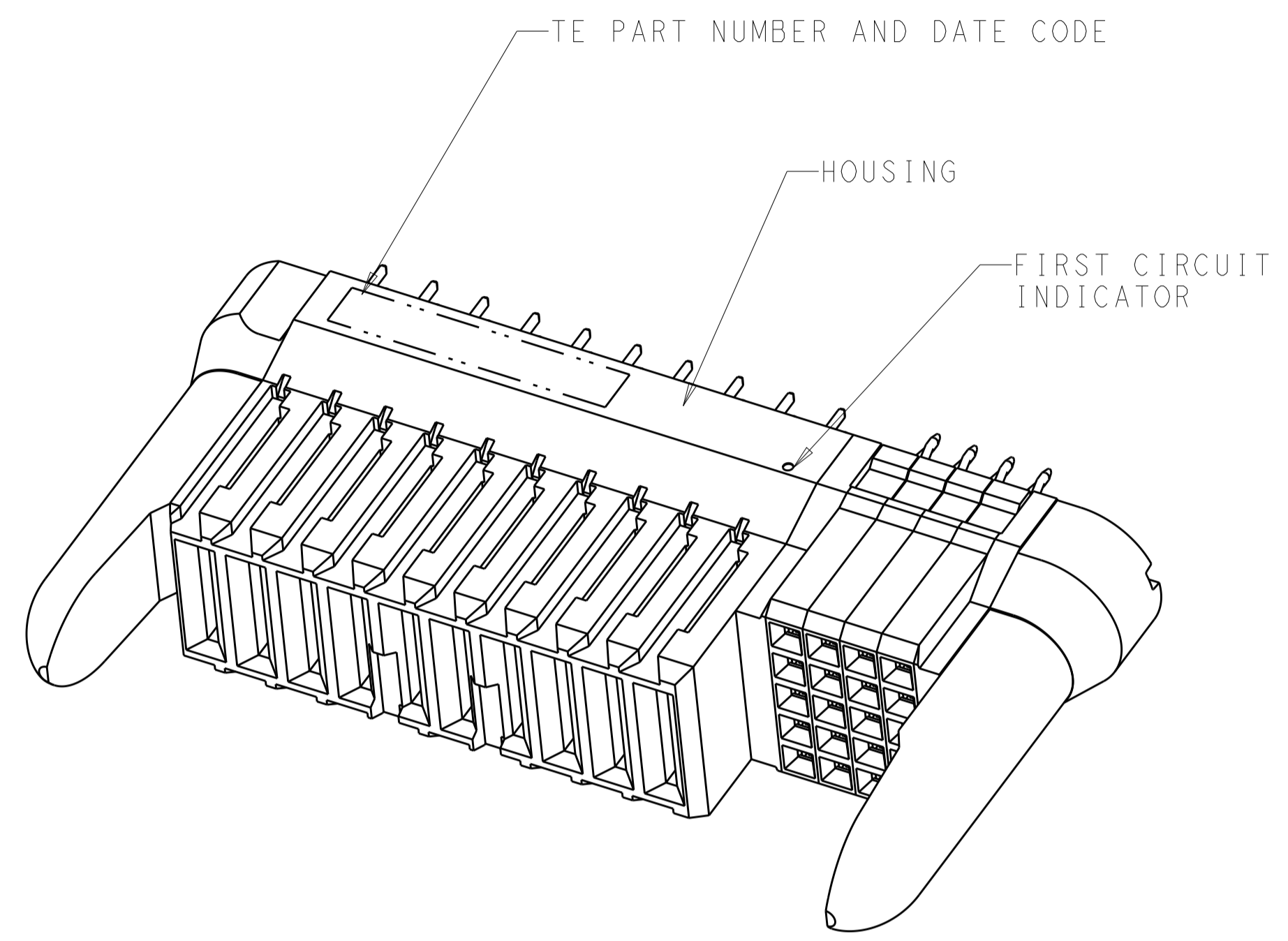
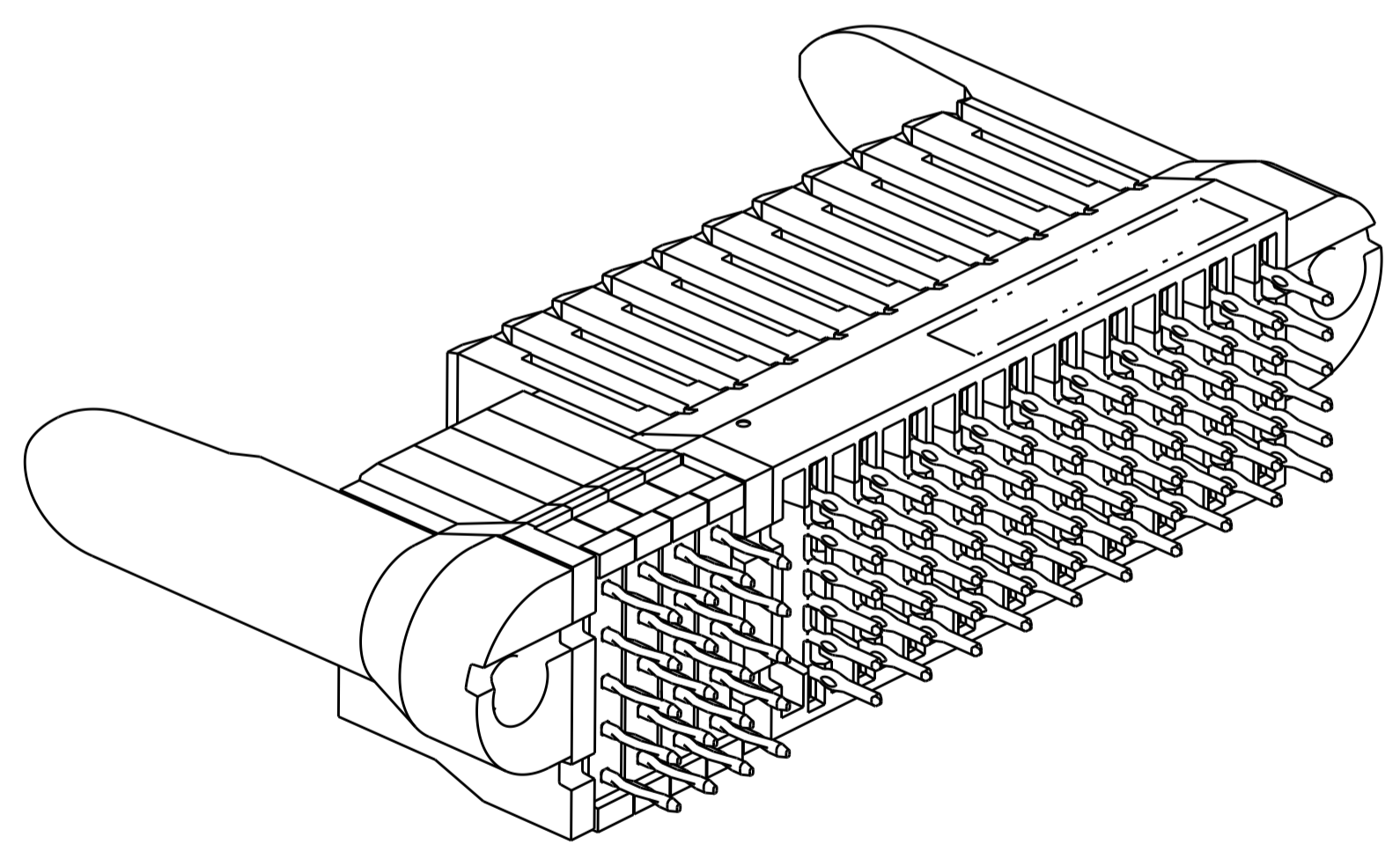


LOC		DIST		REVISIONS			
AA		00		REV	DATE	BY	APPD
A9				ADD NEW PARTS	15OCT2014	OL	SZ
A10				ECR-15-001425	22DEC2014	SZ	SZ



- HOUSING: GLASS FILLED LIQUID CRYSTAL POLYMER, COLOR: BLACK, UL 94 V-O RATED
 SIGNAL CONTACT: PHOSPHOR BRONZE
 SIGNAL OVERMOLD: GLASS FILLED POLYESTER
 POWER CONTACT: COPPER ALLOY
- SIGNAL CONTACT: 0.00127mm MIN NICKEL ALL OVER,
 MATING AREA: 0.00076mm MIN GOLD OR 0.00008mm MIN GOLD OVER
 0.00076mm MIN PALLADIUM-NICKEL,
 TAIL AREA: 0.0005mm MIN MATTE TIN
 POWER CONTACT: 0.00127mm MIN NICKEL ALL OVER,
 MATING AREA: 0.00076mm MIN GOLD OR 0.00008mm MIN GOLD OVER
 0.00076mm MIN PALLADIUM-NICKEL,
 TAIL AREA: 0.0005mm MIN MATTE TIN
- CONTACT MATING AREA LUBRICATED WITH BELLCORE APPROVED LUBRICANT,
 TECHNICAL REFERENCE: GR-1217-CORE, ISSUE 1, NOVEMBER 1995
- THIS CONNECTOR EMPLOYS UL RECOGNIZED Z-PACK 2mm HM SIGNAL CONTACTS
- DATUMS AND BASIC DIMENSIONS TO BE ESTABLISHED BY CUSTOMER
- SEE APPLICATION SPEC 114-13215 FOR PLATED THROUGH HOLE INFORMATION
- SEE CUSTOMER DRAWING 1926730 OR 1926732 FOR MATING CONNECTOR
- UNPLATED HOLES



12	10	1	1	18.95	23.74	10S X 2P	1-1892787-4
12	15	1	2	20.95	25.74	15S X 2P	1-1892787-3
12	25	1	4	24.95	29.74	25S X 2P	1-1892787-2
120	35	19	6	78.45	83.24	35S X 20P	1-1892787-1
108	35	17	6	72.95	77.74	35S X 18P	1-1892787-0
48	20	7	3	39.45	44.24	20S X 8P	1892787-9
60	25	9	4	46.95	51.74	25S X 10P	1892787-6
24	20	3	3	28.45	33.24	20S X 4P	1892787-4
24	10	3	1	24.45	29.24	10S X 4P	1892787-2
F PLC	E PLC	D SPACES	C SPACES	DIM B	DIM A	NO OF POSITIONS	PART NUMBER

THIS DRAWING IS A CONTROLLED DOCUMENT. DWN: LORANDO L1 28OCT2011
 CHK: SUNY ZHAO 28OCT2011
 APVD: SUNY ZHAO 28OCT2011

TE Connectivity

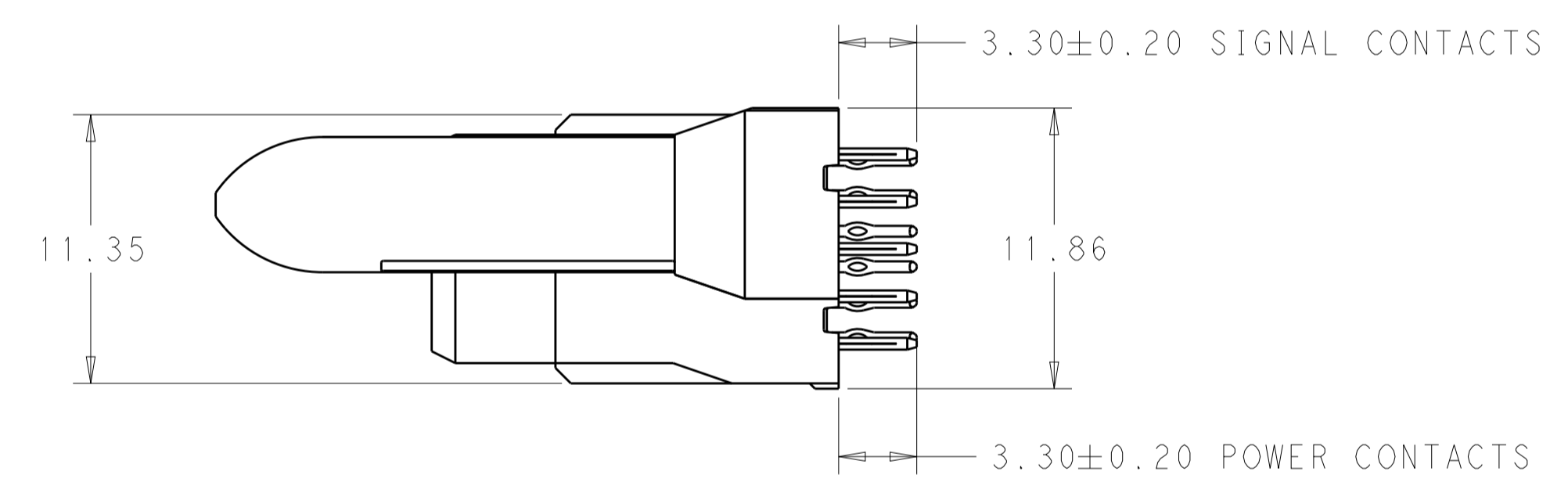
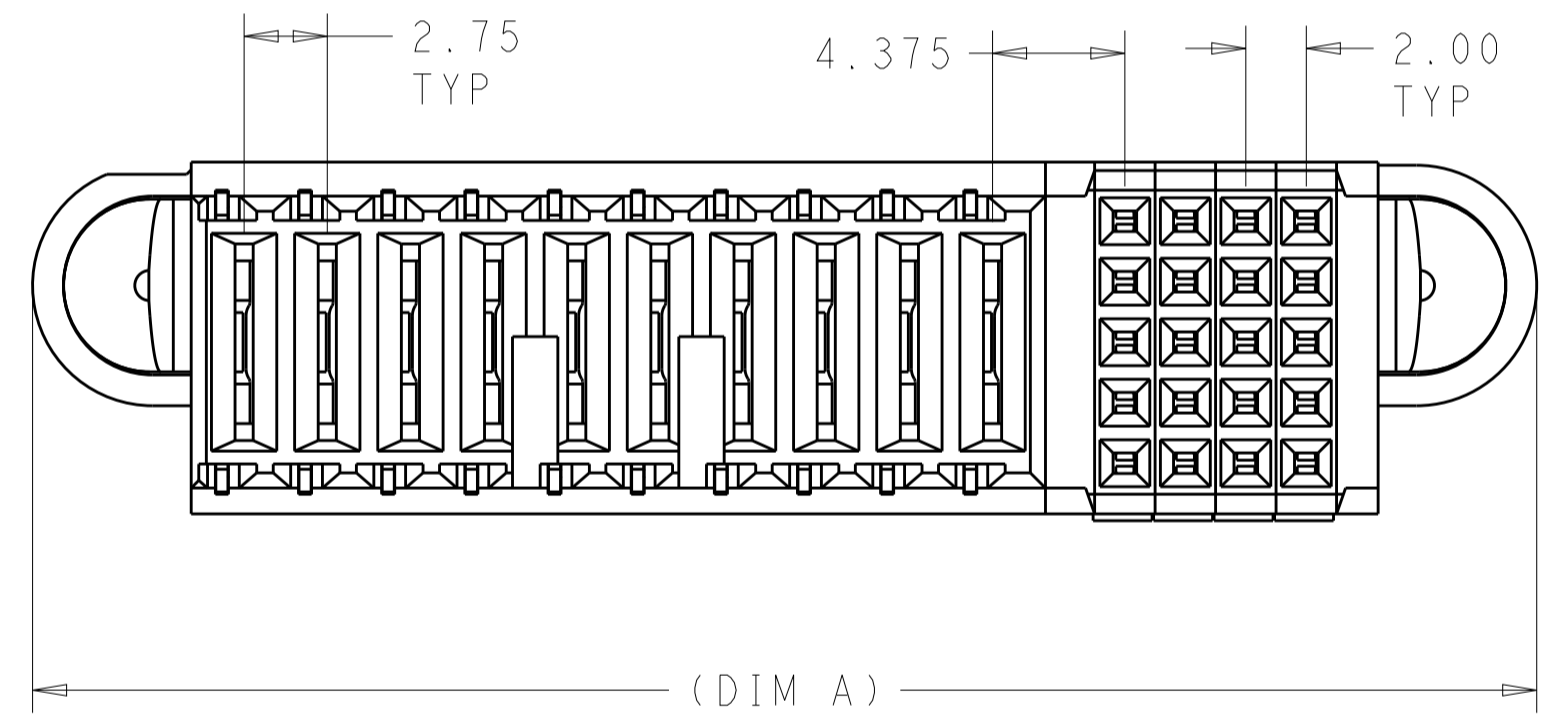
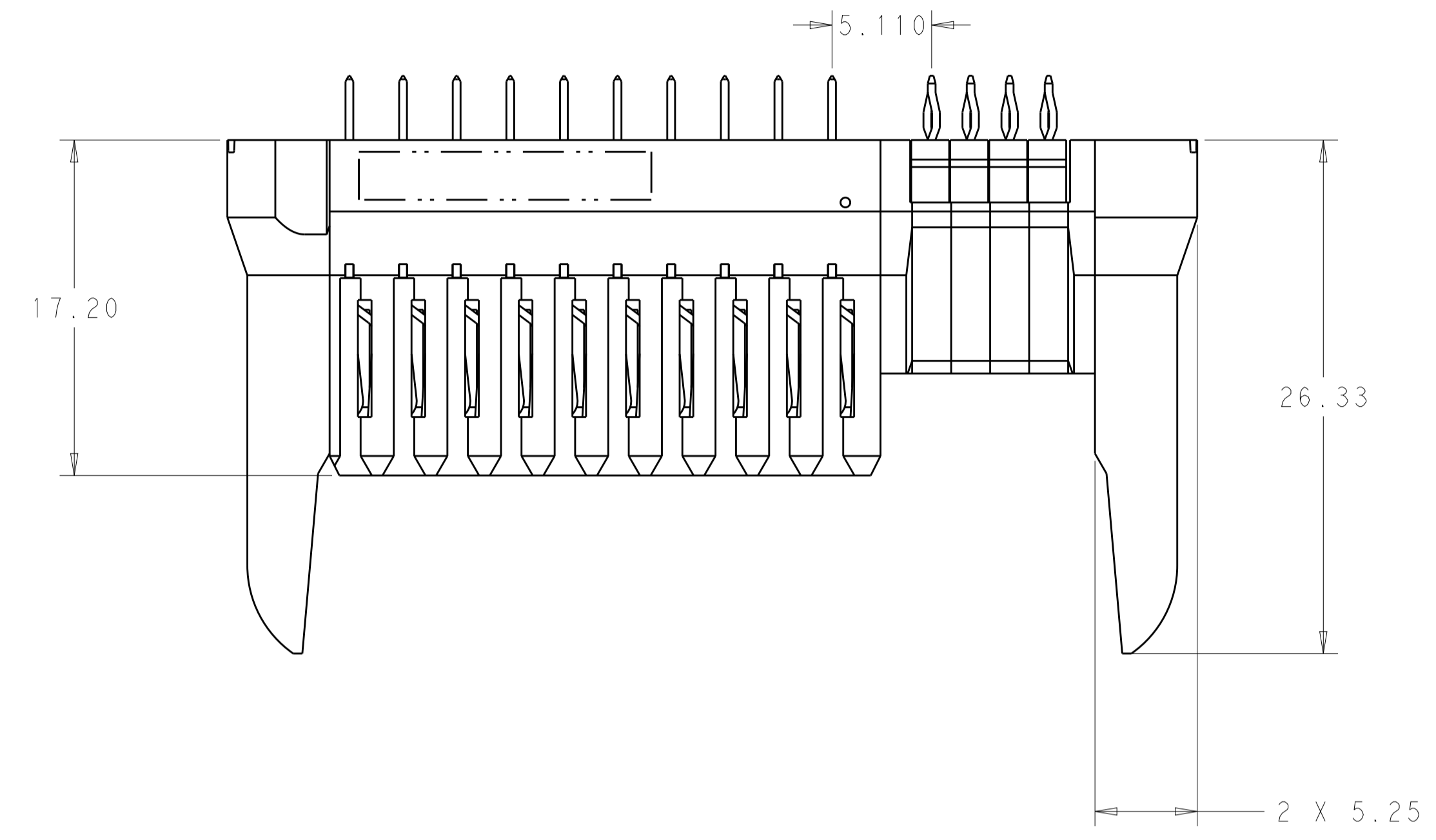
NAME: RECEPTACLE ASSEMBLY, VERTICAL, PASSIVE GUIDE, SIGNAL/POWER, SCREW MOUNT OPTION, MINIPAK HDL

PRODUCT SPEC: 108-2325
 APPLICATION SPEC: 114-13215

SIZE: A100779 C=1892787
 SCALE: 2:1 SHEET 1 OF 3 REV: A10

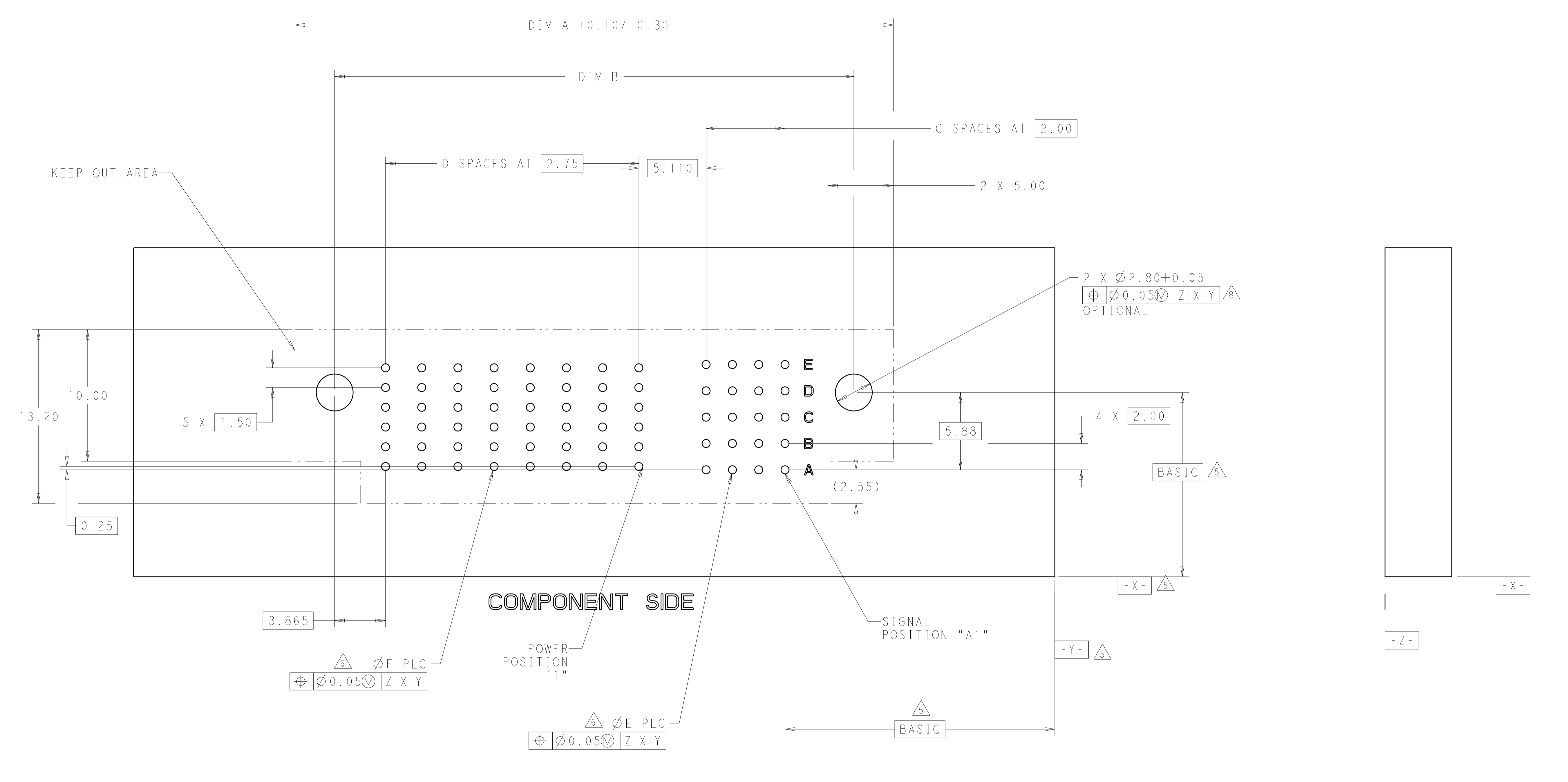
MATERIAL: SEE NOTE 1
 FINISH: SEE NOTE 2
 WEIGHT: -
 Customer Drawing

LOC		DIST		REVISIONS			
P	LTN	DESCRIPTION	DATE	DMN	APVD		
-	-	SEE SHEET 1	-	-	-		



THIS DRAWING IS A CONTROLLED DOCUMENT.		DMN: ORANDO LL 28OCT2011	TE Connectivity
DIMENSIONS: mm		CHK: SUNY ZHAO 28OCT2011	
TOLERANCES UNLESS OTHERWISE SPECIFIED:		APVD: SUNY ZHAO 28OCT2011	NAME: RECEPTACLE ASSEMBLY, VERTICAL, PASSIVE GUIDE, SIGNAL/POWER, SCREW MOUNT OPTION, MINIPAK HDL
0 PLC ±		PRODUCT SPEC: 108-2325	
1 PLC ±0.13		APPLICATION SPEC: 114-13215	SIZE: A100779 C=1892787
2 PLC ±		WEIGHT: -	
3 PLC ±		FINISH: SEE NOTE 2	SCALE: 2:1 SHEET 2 OF 3 REV: A10
4 PLC ±		MATERIAL: SEE NOTE 1	
ANGLES ±		Customer Drawing	

LOC	DIST	REVISIONS					
		P.	LTN	DESCRIPTION	DATE	DMN	APVD
AA	00	-	-	SEE SHEET 1	-	-	-



RECOMMENDED PRINTED CIRCUIT BOARD LAYOUT
 (COMPONENT SIDE OF BOARD SHOWN)

THIS DRAWING IS A CONTROLLED DOCUMENT.		DMN: ORANDO 11 28OCT2011	TE Connectivity
DIMENSIONS: mm		CHK: SUNY ZHAO 28OCT2011	
TOLERANCES UNLESS OTHERWISE SPECIFIED:		APVD: SUNY ZHAO 28OCT2011	NAME: RECEPTACLE ASSEMBLY, VERTICAL, PASSIVE GUIDE, SIGNAL/POWER, SCREW MOUNT OPTION, MINIPAK HDL SIZE: A1 CAGE CODE: 00779 DRAWING NO: 1892787 CUSTOMER DRAWING
0 PLC ±		PRODUCT SPEC: 108-2325	
2 PLC ±0.13		APPLICATION SPEC: 114-13215	
4 PLC ±		WEIGHT: -	
ANGLES ±		FINISH: SEE NOTE 2	SCALE: 2:1
MATERIAL: SEE NOTE 1		REVISIONS: 3 OF 3	REV: A10

X-ON Electronics

Largest Supplier of Electrical and Electronic Components

Click to view similar products for [Board to Board & Mezzanine Connectors](#) category:

Click to view products by [TE Connectivity](#) manufacturer:

Other Similar products are found below :

[10135583-642402LF](#) [89885-310LF](#) [589158040000018](#) [6-1393048-0](#) [68683-613](#) [MDF7-12DP-2.54DSA](#) [MDF7-18P-2.54DSA\(01\)](#) [MDF7-20DP-2.54DSA](#) [MDF7-26D-2.54DSA\(55\)](#) [MDF7-3P-2.54DSA\(01\)](#) [MDF7B-3P-2.54DSA\(55\)](#) [MDF7C-11P-2.54DSA\(55\)](#) [MDF7C-18P-2.54DSA\(55\)](#) [MDF7C-5P-2.54DSA\(01\)](#) [MDF7P-5P-2.54DSA\(55\)](#) [75234-0516](#) [FCN-230C068-11](#) [FCN-268F012-G/BD](#) [FCN-268F036-G/BD](#) [FCN-268M012-G/0D](#) [FCN-268M024-G/1D](#) [FCN-360C008-C](#) [FCN-360C040-C](#) [FCN-723J004/1](#) [MIS-048-01-F-D-DP-K](#) [832-10-034-10-001000](#) [93696-325LF](#) [11828-1FA](#) [AXK630345P](#) [18097-0013](#) [ICA-328STT](#) [2007042-2](#) [304400-2](#) [FCN-214Q030-G/0](#) [FCN-215Q040-G/0](#) [FCN-230C068-ESA](#) [FCN-234P048-G/0](#) [FCN-235D050-G/C](#) [FCN-360A3](#) [FCN-360C040-B](#) [210-93-314-41-105000](#) [2-22603-0](#) [379-064-521-202](#) [MDF7-12P-2.54DSA\(01\)](#) [MDF7-16P-2.54DS\(56\)](#) [MDF7-40DP-2.54DSA\(55\)](#) [MDF7-8P-2.54DSA\(55\)](#) [MDF7B-16P-2.54DSA\(55\)](#) [AXG720047](#) [5031084030](#)