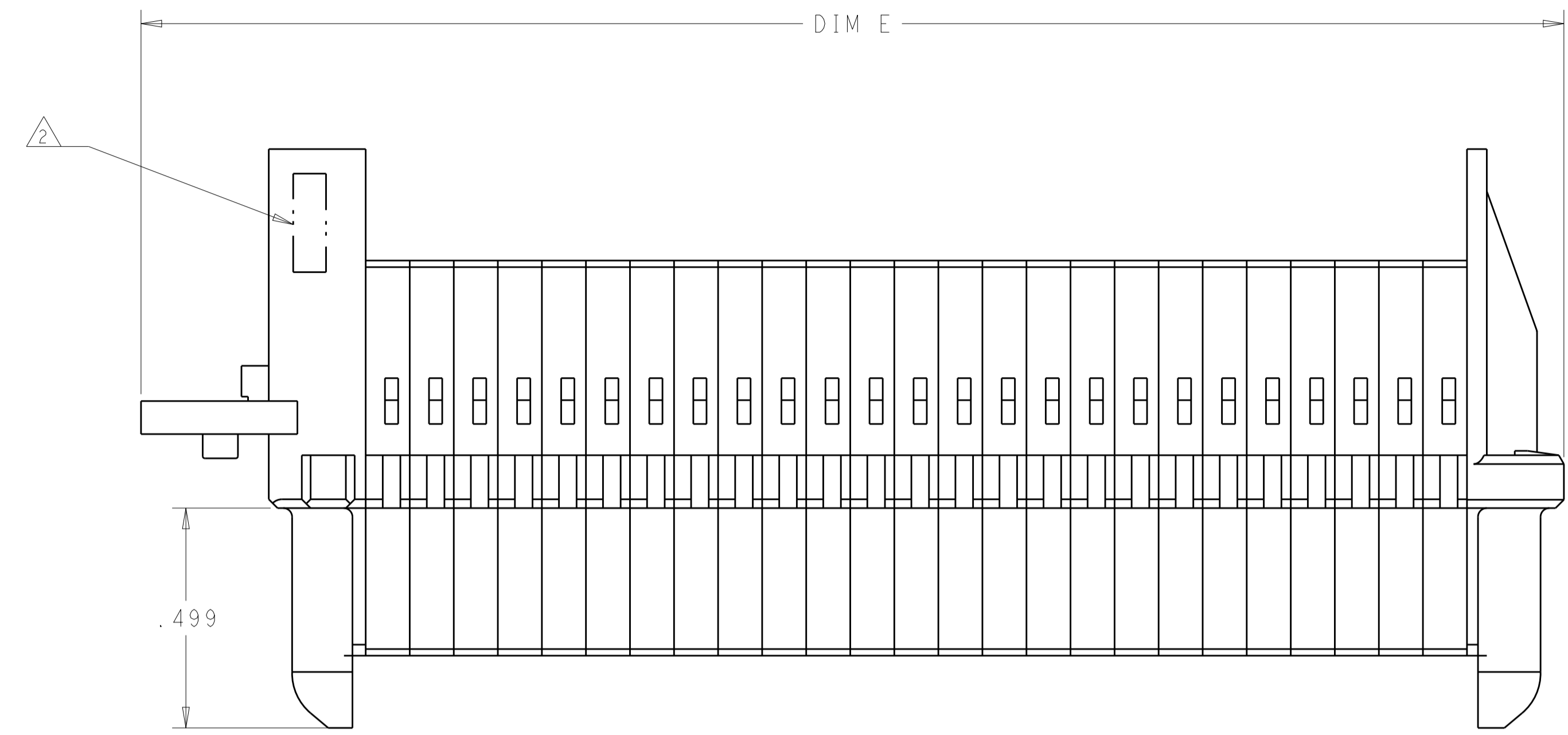
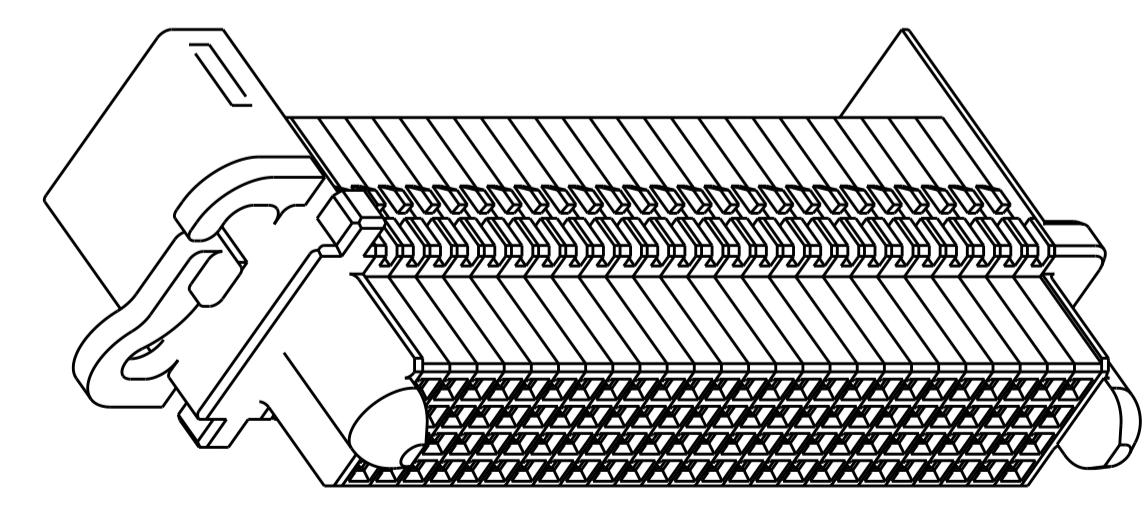
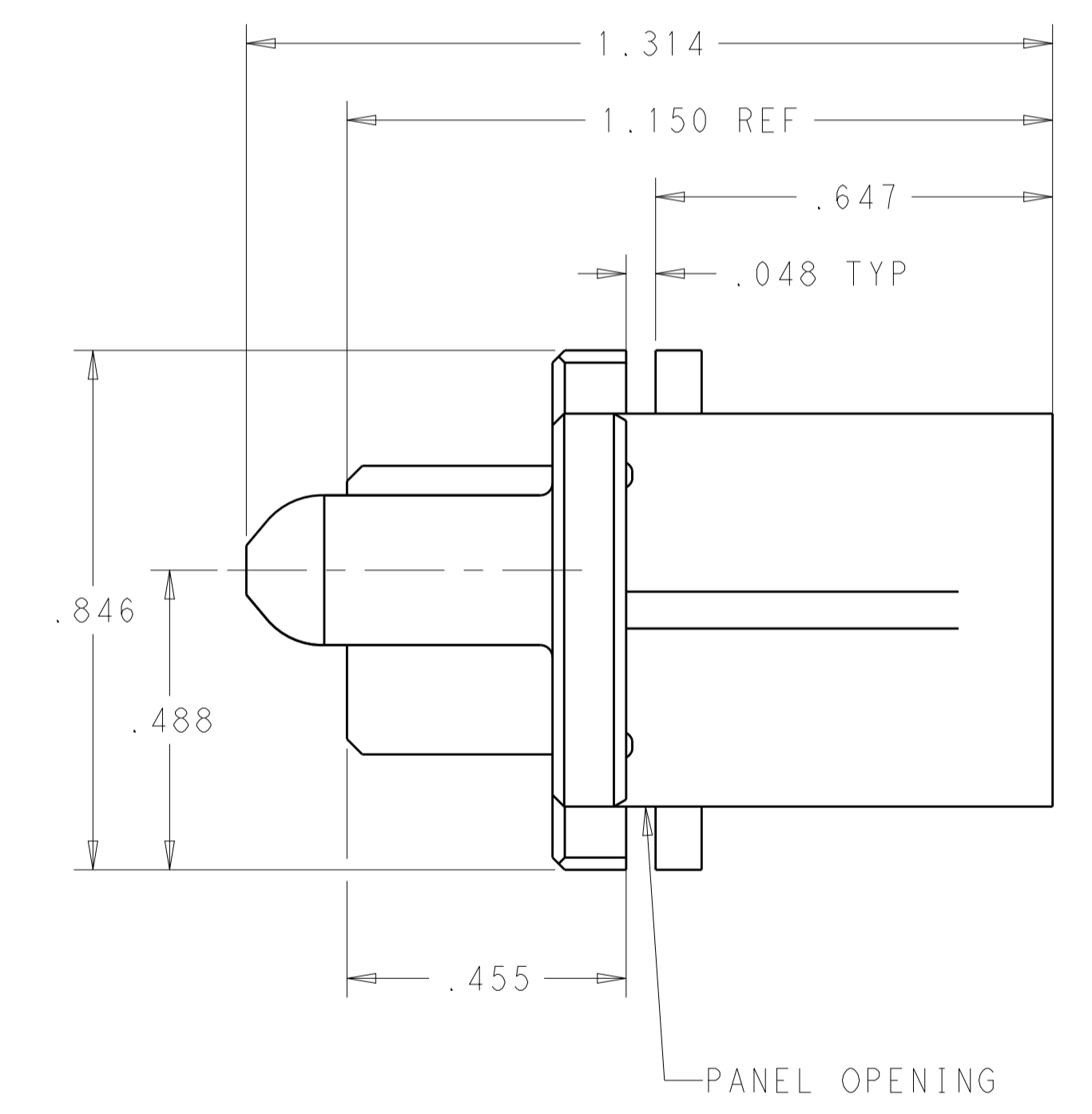
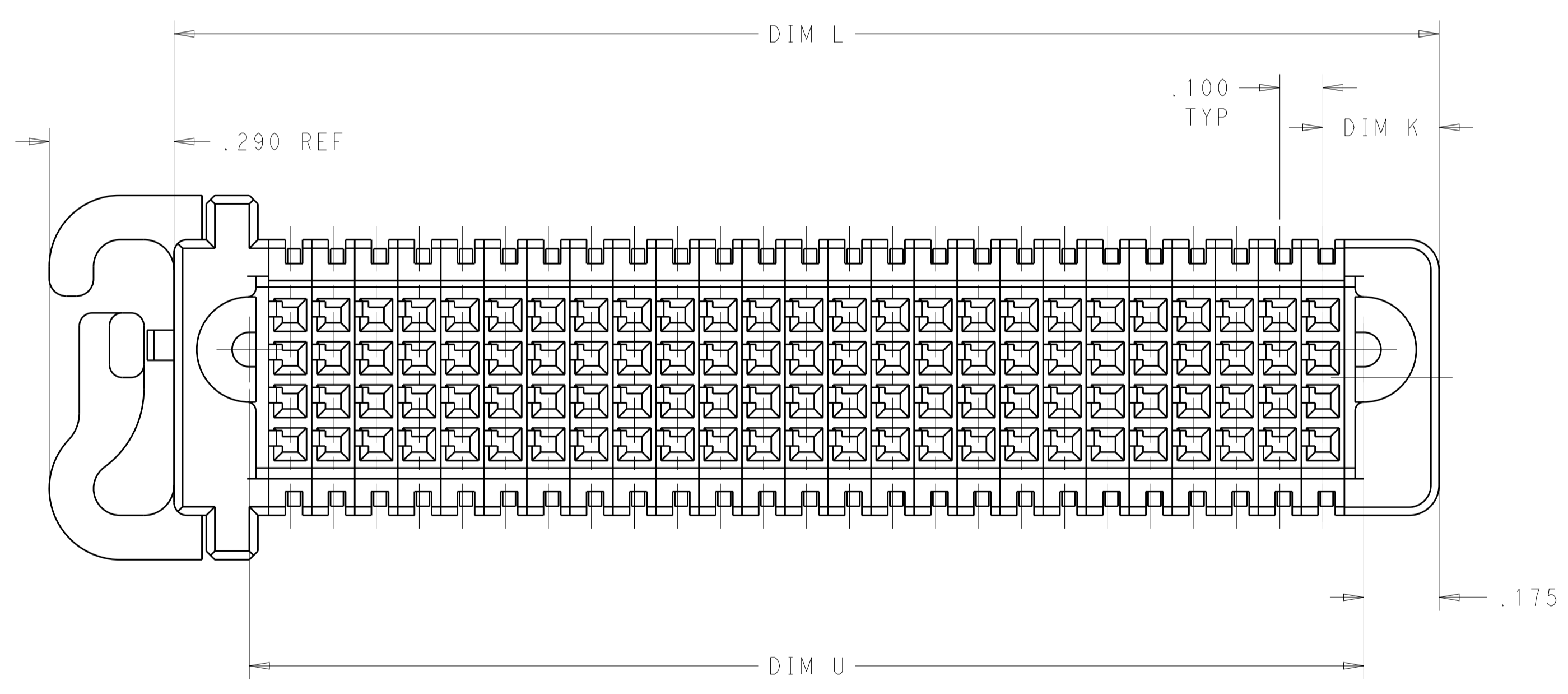
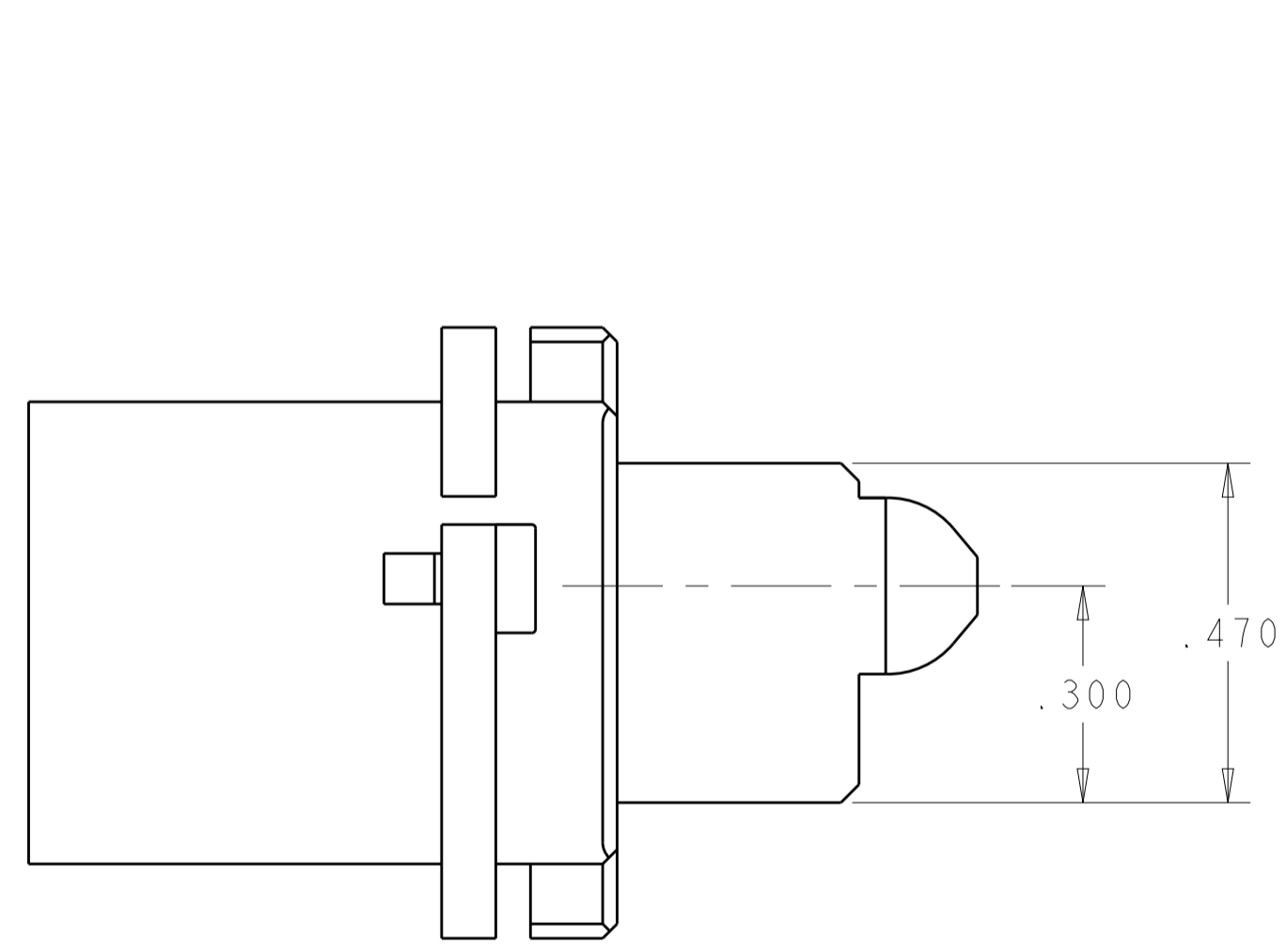


| LOC | DIST | REV | DATE | BY | CHK |
|-----|------|-----|-----------|----|-----|
| - | - | A6 | 09OCT2015 | CZ | SZ |
| - | - | A7 | 30MAR2016 | CZ | SZ |
| - | - | A8 | 14MAR2017 | WY | SZ |



- 1. MATERIAL: THERMO PLASTIC, UL94 V-0.
- 2. COMPANY TRADEMARK, PART NUMBER, AND DATE CODE TO BE MARKED IN AREA SHOWN.
- 3. PANEL THICKNESS = .040 ± .005.
- 4. CONNECTOR KEEP OUT ZONE.
- 5. SIGNAL CONTACT REFERENCE:
PART NUMBER: 5531216
MATERIAL: COPPER ALLOY



| | | | | | |
|-----------|-------|-------|-------|-------------|-------------|
| 1.440 | .800 | 1.150 | .375 | 20S | 1892912-6 |
| 1.230 | .590 | .940 | .370 | 16S | 1892912-5 |
| 1.130 | .490 | .840 | .370 | 12S | 1892912-4 |
| 2.055 | 1.415 | 1.765 | .345 | 48S | 1892912-3 |
| 1.405 | .765 | 1.115 | .345 | 24S | 1892912-2 |
| 3.230 | 2.590 | 2.940 | .270 | 100S | 1892912-1 |
| DIM E REF | DIM U | DIM L | DIM K | DESCRIPTION | PART NUMBER |

THIS DRAWING IS A CONTROLLED DOCUMENT.

DIMENSIONS: INCHES

TOLERANCES UNLESS OTHERWISE SPECIFIED:

| | |
|--------|-------|
| 0 PLC | ± |
| 1 PLC | ±.01 |
| 2 PLC | ±.005 |
| 3 PLC | ±.002 |
| 4 PLC | ±.002 |
| ANGLES | ±1° |

MATERIAL: - FINISH: -

APPROVED: ANDY YANG, ZOMAY2011

CHECKED: ANDY YANG, ZOMAY2011

DESIGNED: SUNYI ZHAO, ZOMAY2011

PRODUCT SPEC: - APPLICATION SPEC: -

WEIGHT: -

CUSTOMER DRAWING

SCALE: 1:1 SHEET 1 OF 3 REV: A8

NAME: SLIDE TO LOCK PANEL MOUNT CABLE RECEPTACLE HOUSING, WITH GUIDES MULTI-BEAM XLE

SIZE: A1 CAGE CODE: 100779 DRAWING NO: 1892912

| PART NUMBER | ROWS | SIGNAL | | | | | | | | | | | | | | | | | | | | | | | | |
|-------------|------|--------|----|----|----|----|----|----|----|----|----|----|----|----|----|----|----|---|---|---|---|---|---|---|---|---|
| | | 25 | 24 | 23 | 22 | 21 | 20 | 19 | 18 | 17 | 16 | 15 | 14 | 13 | 12 | 11 | 10 | 9 | 8 | 7 | 6 | 5 | 4 | 3 | 2 | 1 |
| 1892912-1 | D | E | E | E | E | E | E | E | E | E | E | E | E | E | E | E | E | E | E | E | E | E | E | E | E | E |
| | C | E | E | E | E | E | E | E | E | E | E | E | E | E | E | E | E | E | E | E | E | E | E | E | E | E |
| | B | E | E | E | E | E | E | E | E | E | E | E | E | E | E | E | E | E | E | E | E | E | E | E | E | E |
| | A | E | E | E | E | E | E | E | E | E | E | E | E | E | E | E | E | E | E | E | E | E | E | E | E | E |

100S

| PART NUMBER | ROWS | SIGNAL | | | | | |
|-------------|------|--------|---|---|---|---|---|
| | | 6 | 5 | 4 | 3 | 2 | 1 |
| 1892912-2 | D | E | E | E | E | E | E |
| | C | E | E | E | E | E | E |
| | B | E | E | E | E | E | E |
| | A | E | E | E | E | E | E |

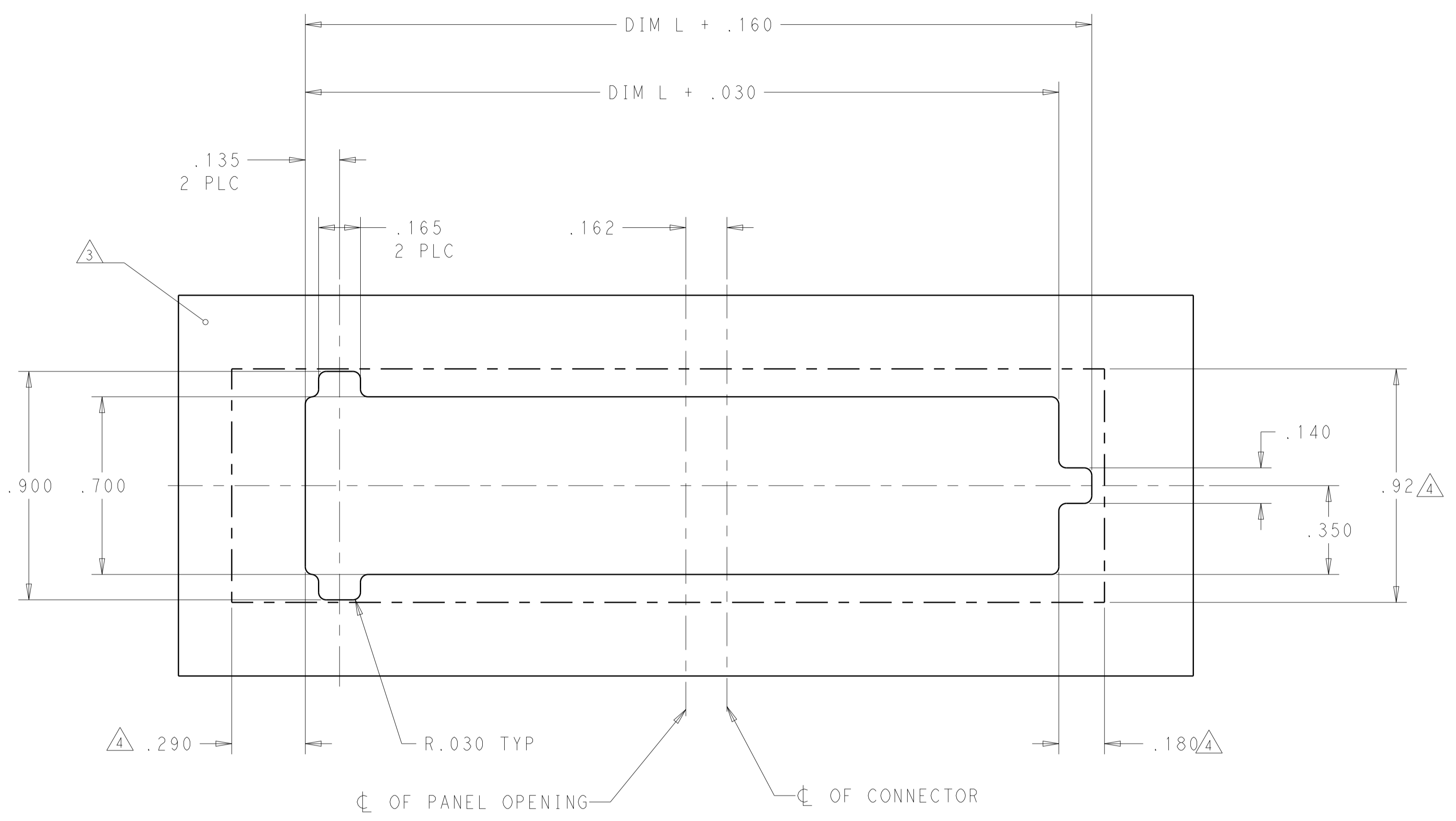
24S

| PART NUMBER | ROWS | SIGNAL | | | | | | | | | | | |
|-------------|------|--------|----|----|---|---|---|---|---|---|---|---|---|
| | | 12 | 11 | 10 | 9 | 8 | 7 | 6 | 5 | 4 | 3 | 2 | 1 |
| 1892912-3 | D | E | E | E | E | E | E | E | E | E | E | E | E |
| | C | E | E | E | E | E | E | E | E | E | E | E | E |
| | B | E | E | E | E | E | E | E | E | E | E | E | E |
| | A | E | E | E | E | E | E | E | E | E | E | E | E |

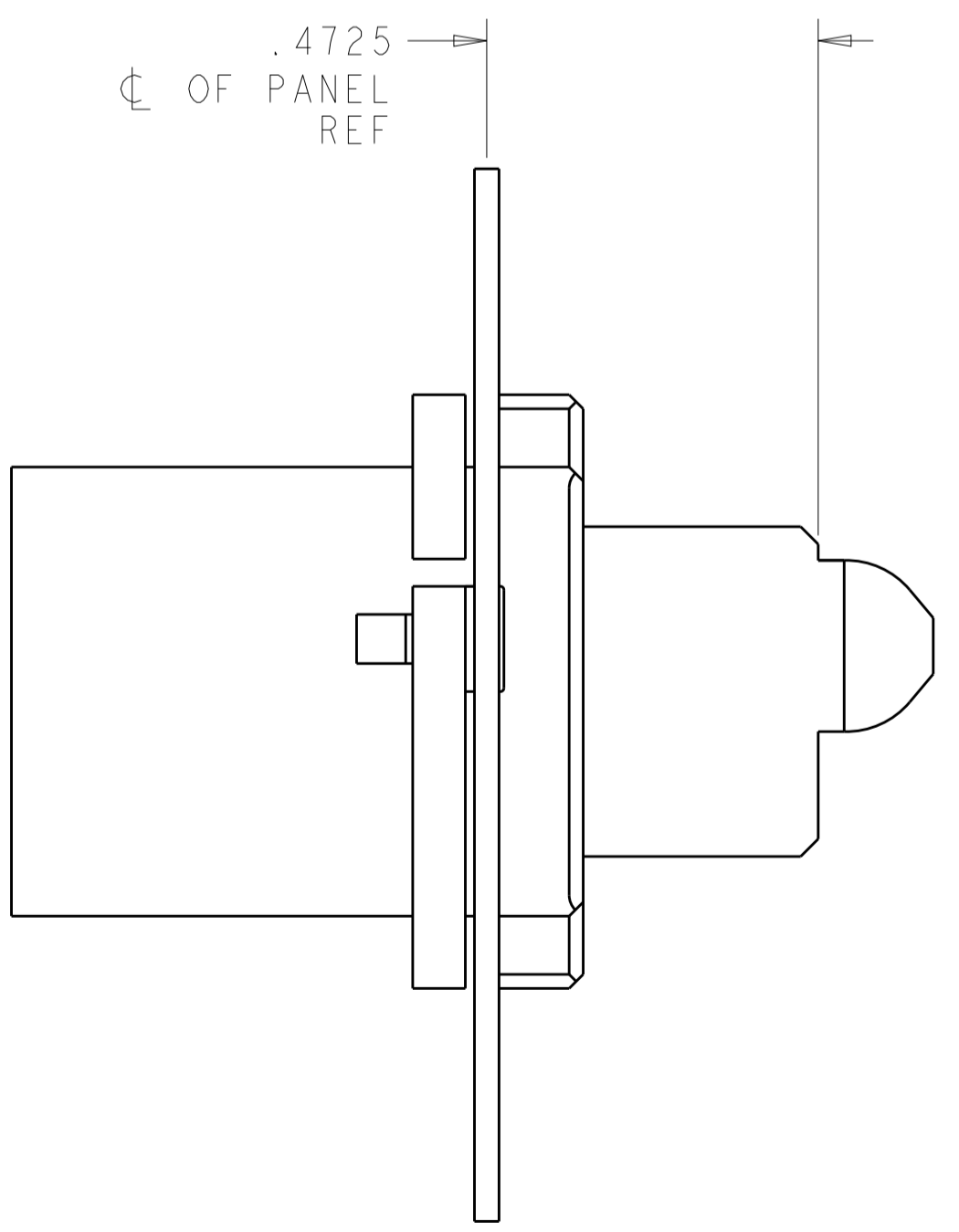
48S

| PART NUMBER | ROWS | SIGNAL | | |
|-------------|------|--------|---|---|
| | | 3 | 2 | 1 |
| 1892912-4 | D | E | E | E |
| | C | E | E | E |
| | B | E | E | E |
| | A | E | E | E |

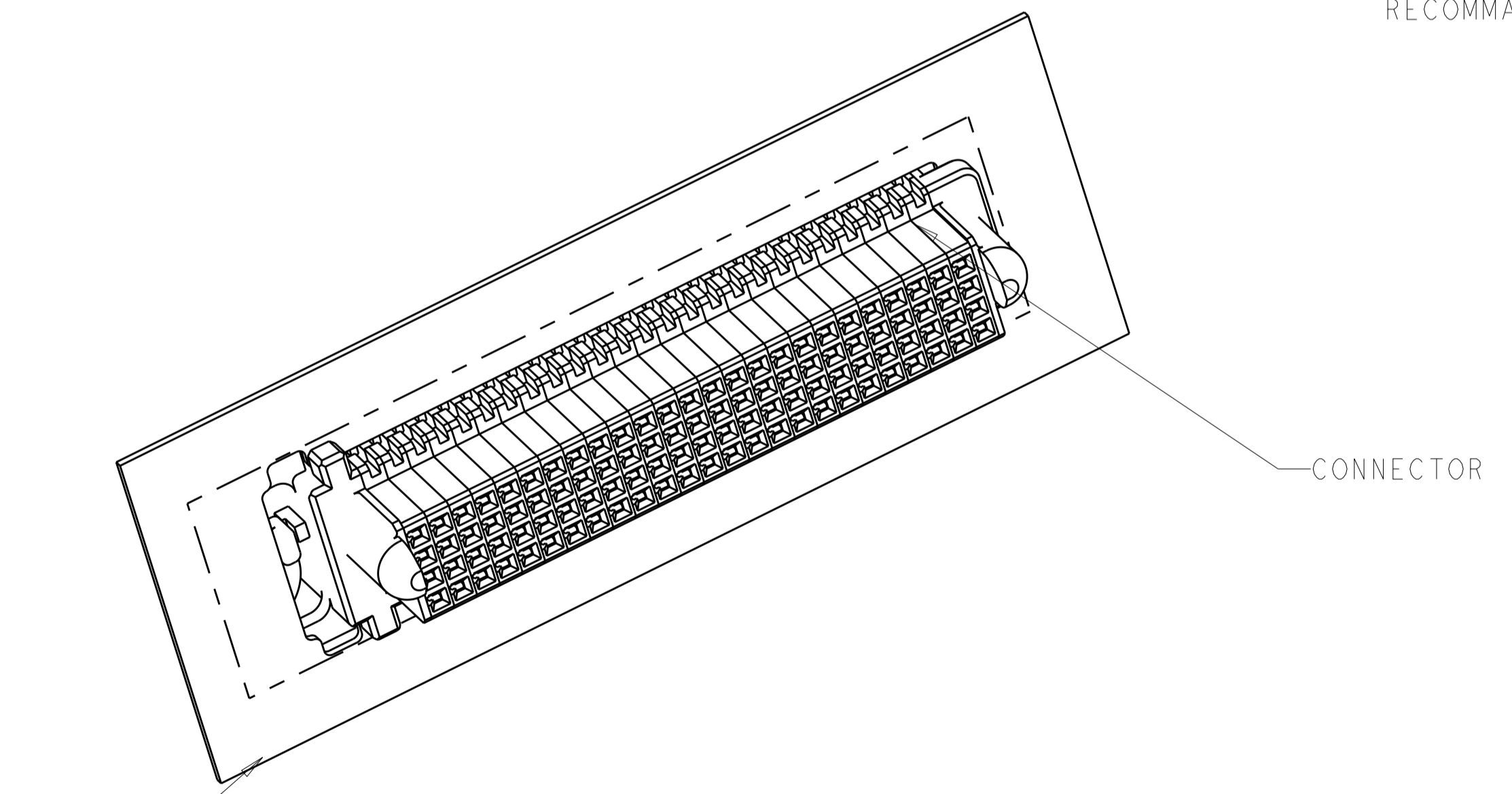
12S



RECOMMEND PCB LAYOUT



SCALE 4:1



ISOMETRIC VIEW SCALE 2:1

| | |
|---------------|----------------|
| E | SIGNAL CONTACT |
| CODE | DISCRIPTION |
| CONTACT TABLE | |

| | | | |
|--|--|--------------------------|---|
| THIS DRAWING IS A CONTROLLED DOCUMENT. | | DMN ANDY YANG ZOMAY2011 | TE Connectivity |
| DIMENSIONS: INCHES | | CHK ANDY YANG ZOMAY2011 | |
| TOLERANCES UNLESS OTHERWISE SPECIFIED: | | APVD SUNY ZHAO ZOMAY2011 | NAME SLIDE TO LOCK PANEL MOUNT CABLE RECEPTACLE HOUSING, WITH GUIDES MULTI-BEAM XLE |
| 0 PLC ± 1 PLC ±.01 2 PLC ±.005 3 PLC ±.002 4 PLC ±.002 ANGLES ±1° | | PRODUCT SPEC | |
| MATERIAL | | APPLICATION SPEC | RESTRICTED TO |
| FINISH | | WEIGHT | SIZE CAGE CODE DRAWING NO |
| CUSTOMER DRAWING | | SCALE 1:1 | SHEET 2 OF 3 |


THIS DRAWING IS UNPUBLISHED. RELEASED FOR PUBLICATION 20
 © COPYRIGHT 20 BY - ALL RIGHTS RESERVED.

| LOC | | DIST | | REVISIONS | | | |
|-----|-----|-------------|------|-----------|------|--|--|
| P | LTN | DESCRIPTION | DATE | DWN | APVD | | |
| | | | | | | | |

| PART NUMBER | ROWS | SIGNAL | | | |
|-------------|------|--------|---|---|---|
| | | 4 | 3 | 2 | 1 |
| 1892912-5 | D | E | E | E | E |
| | C | E | E | E | E |
| | B | E | E | E | E |
| | A | E | E | E | E |
| 16S | | | | | |

NO CONTACTS LOADED

| PART NUMBER | ROWS | SIGNAL | | | | |
|-------------|------|--------|---|---|---|---|
| | | 5 | 4 | 3 | 2 | 1 |
| 1892912-6 | D | E | E | E | E | E |
| | C | E | E | E | E | E |
| | B | E | E | E | E | E |
| | A | E | E | E | E | E |
| 20S | | | | | | |

| | | | |
|--|--|--------------------------|---|
| THIS DRAWING IS A CONTROLLED DOCUMENT. | | DWN ANDY YANG ZOMAY2011 |  TE Connectivity |
| DIMENSIONS: INCHES | | CHK ANDY YANG ZOMAY2011 | |
| TOLERANCES UNLESS OTHERWISE SPECIFIED: | | APVD SUNY ZHAO ZOMAY2011 | NAME SLIDE TO LOCK PANEL MOUNT CABLE RECEPTACLE HOUSING, WITH GUIDES MULTI-BEAM XLE |
| 0 PLC ± | | PRODUCT SPEC | SIZE CAGE CODE DRAWING NO |
| 1 PLC ±.01 | | APPLICATION SPEC | A100779C=1892912 |
| 2 PLC ±.01 | | RESTRICTED TO | |
| 3 PLC ±.005 | | WEIGHT | |
| 4 PLC ±.002 | | CUSTOMER DRAWING | SCALE 1:1 SHEET 3 OF 3 REV A8 |
| ANGLES ±1° | | | |
| FINISH | | | |

X-ON Electronics

Largest Supplier of Electrical and Electronic Components

Click to view similar products for [Power to the Board](#) category:

Click to view products by [TE Connectivity](#) manufacturer:

Other Similar products are found below :

[6450171-4](#) [6450552-7](#) [6600323-8](#) [6643429-1](#) [6646040-2](#) [6651939-1](#) [6766604-1](#) [120959-1](#) [1393557-2](#) [1393532-2](#) [1393532-3](#) [1393532-4](#)
[1393557-1](#) [1600812-5](#) [1-6450861-2](#) [1744132-7](#) [1761122-1](#) [1766250-1](#) [1892109-1](#) [2-6450860-5](#) [2-6450870-0](#) [1-6450161-4](#) [1-6450850-6](#) [1-](#)
[6450869-6](#) [1645526-2](#) [1-6600130-0](#) [2005243-2](#) [377-0020-11130](#) [TE34-12-16P-F0](#) [51700-10201602AALF](#) [5-6450830-6](#) [5646956-4](#) [377-](#)
[0080-11131A](#) [4-6450830-9](#) [4-6600333-3](#) [10125416-4050LF](#) [10130248-005LF](#) [6600320-3](#) [3-6450860-5](#) [1888123-2](#) [6450166-1](#) [6643978-1](#)
[6766605-1](#) [701-15-02109](#) [N11444](#) [6651938-1](#) [6450810-7](#) [46437-1112](#) [1-1589677-8](#) [5646956-5](#)