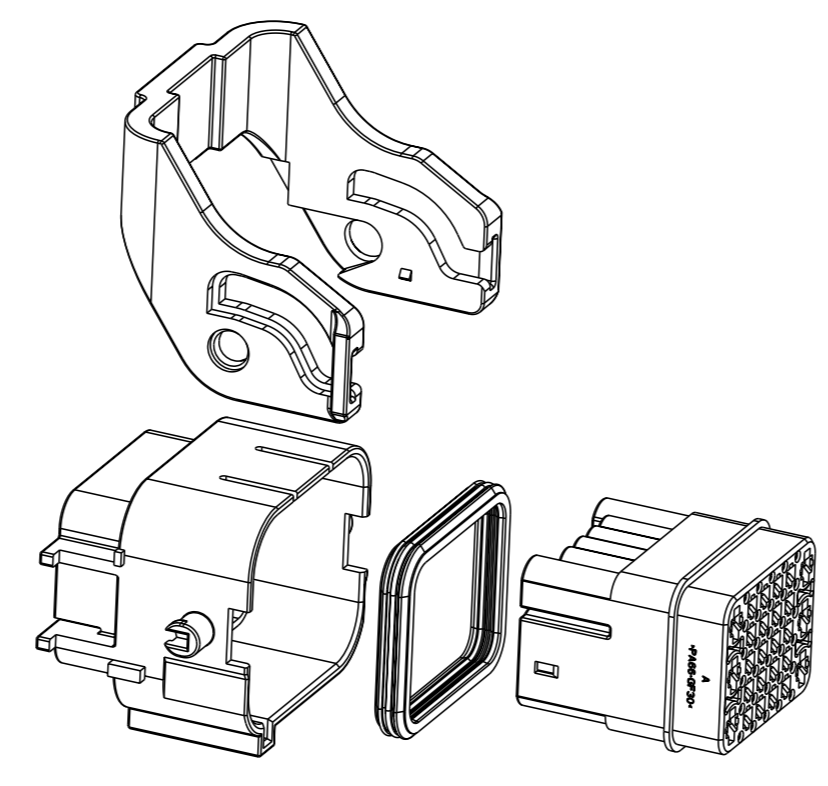
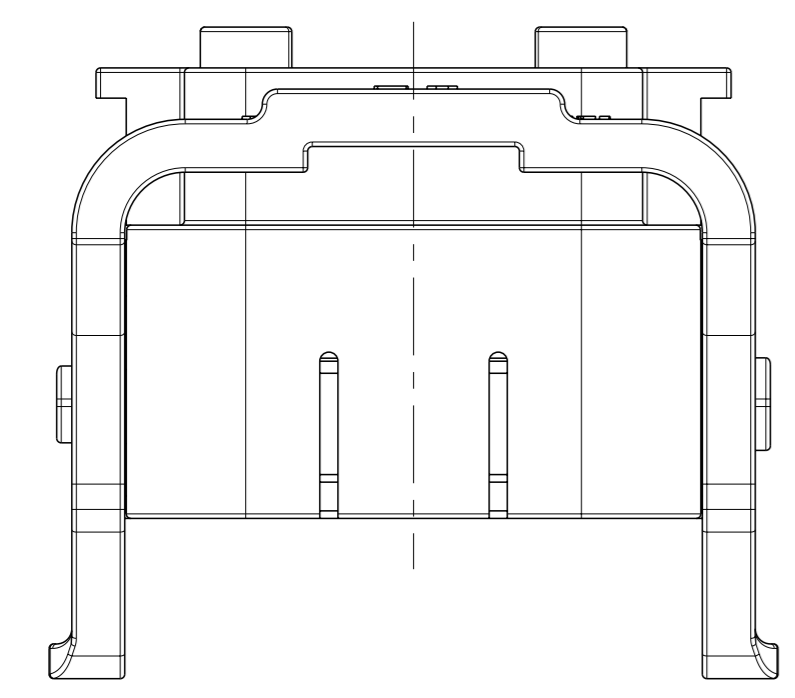
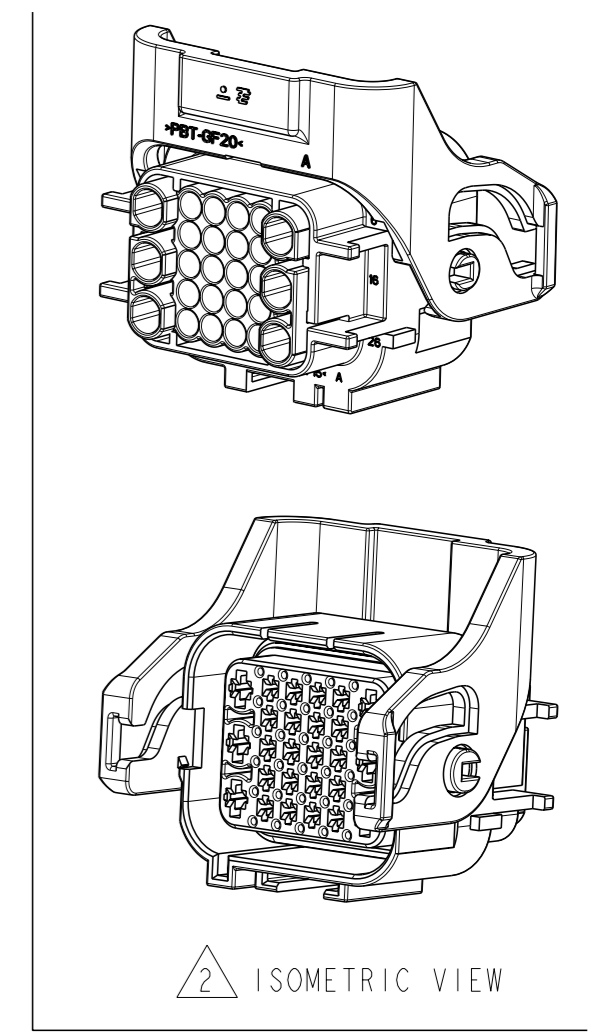
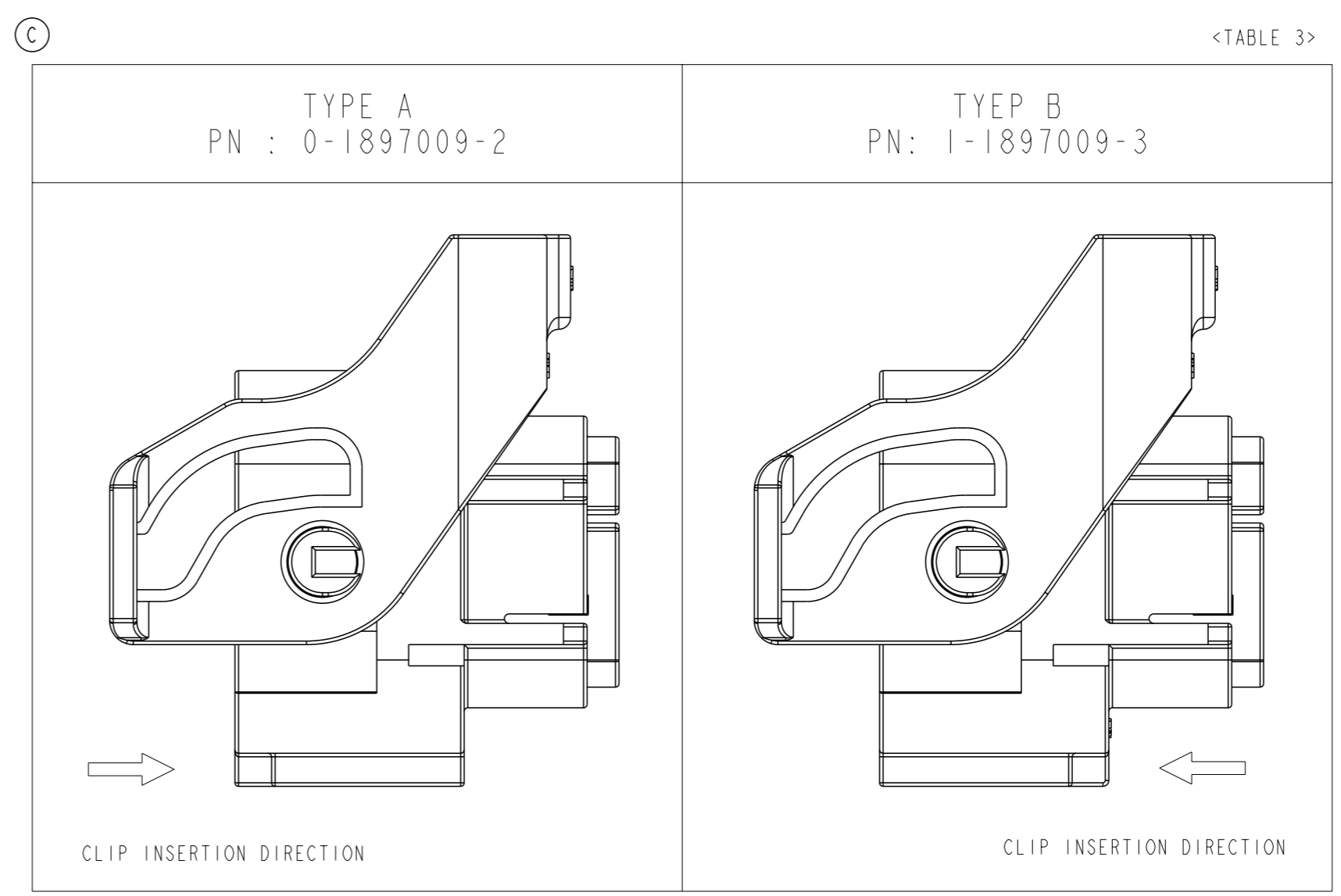


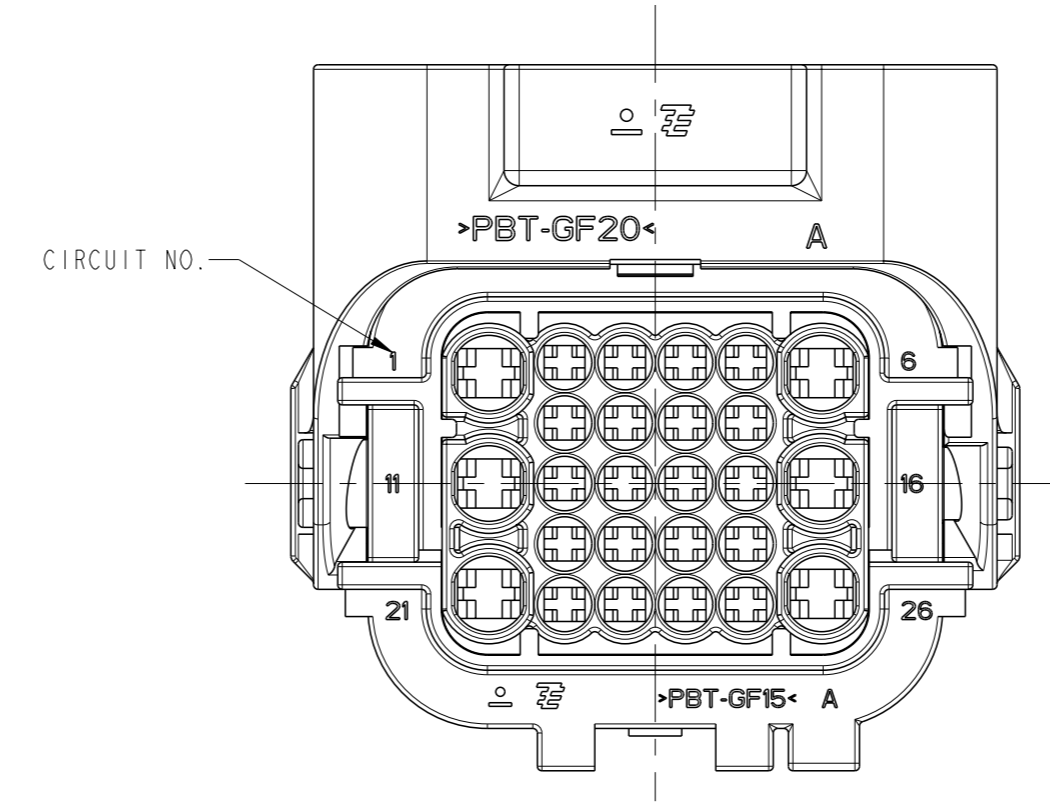
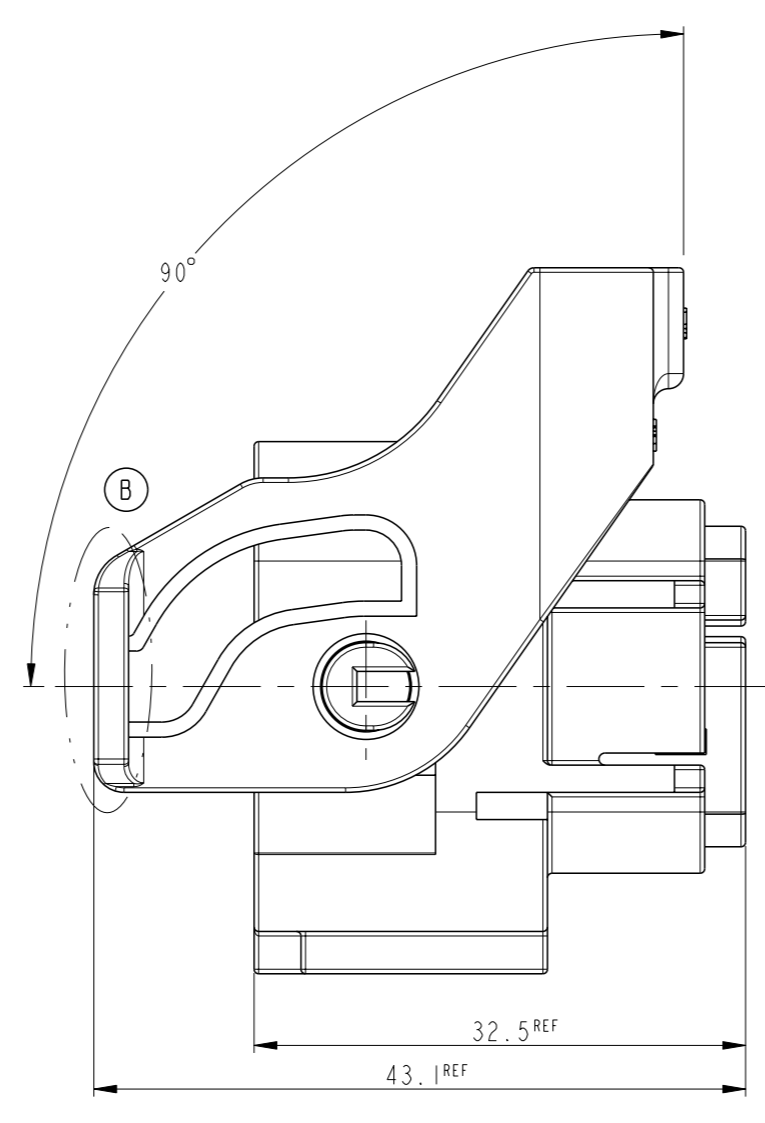
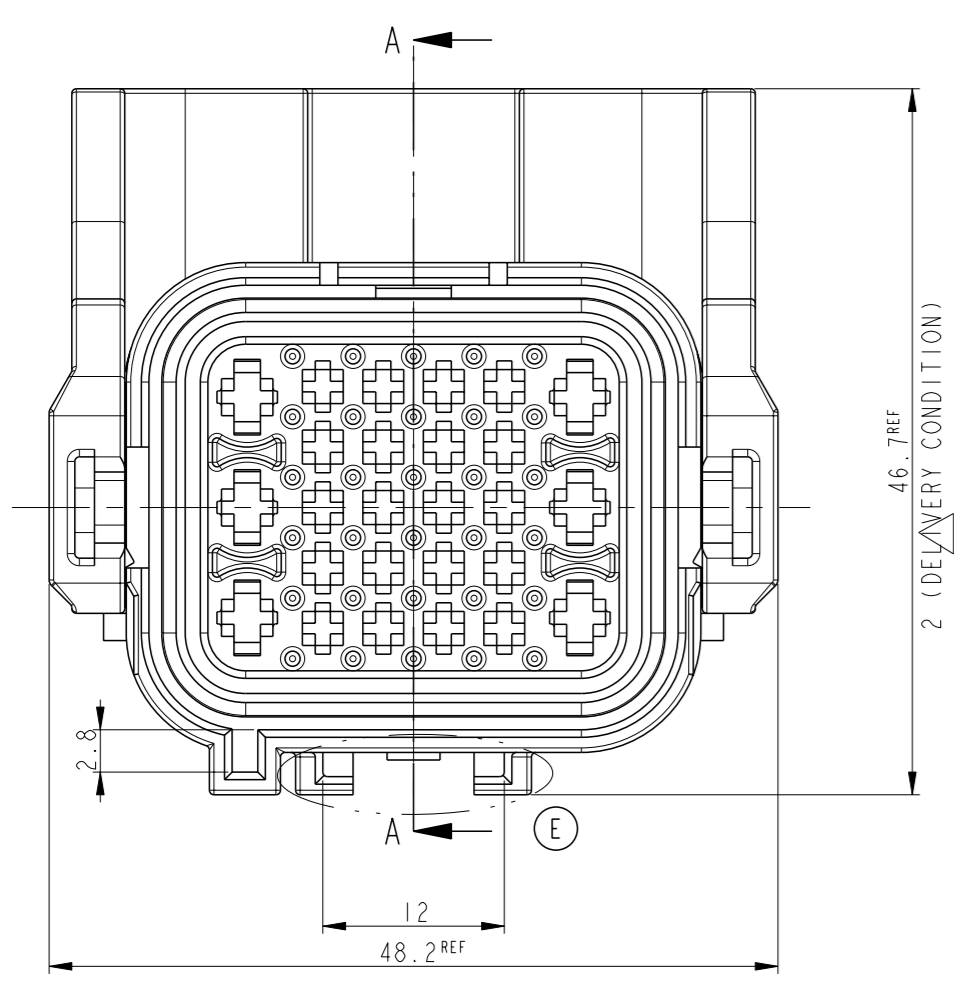
REVISIONS				
P	LY#	DESCRIPTION	DATE	OWN APVD
C		REVISED (ECR-16-009958)	31OCT2016	SJ JW
D		REVISED (ECR-16-016370)	21NOV2016	JM KT
E		REVISED (ECR-17-010547)	19JUL2017	SJ KT



3D EXPLODE VIEW (SCALE 1:1)



ISOMETRIC VIEW

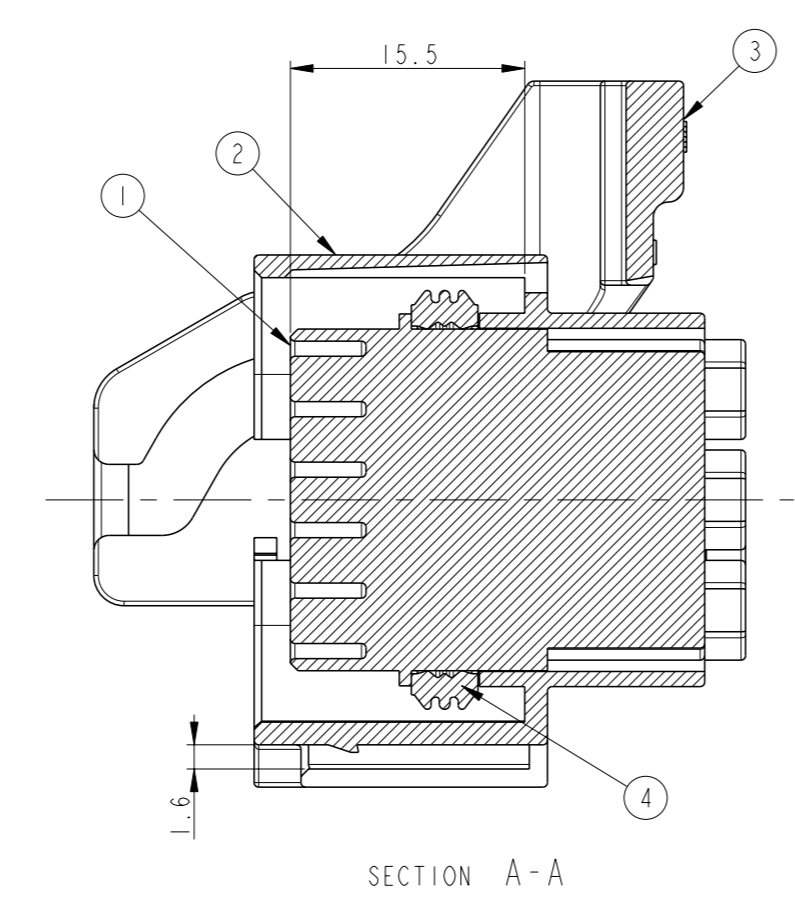
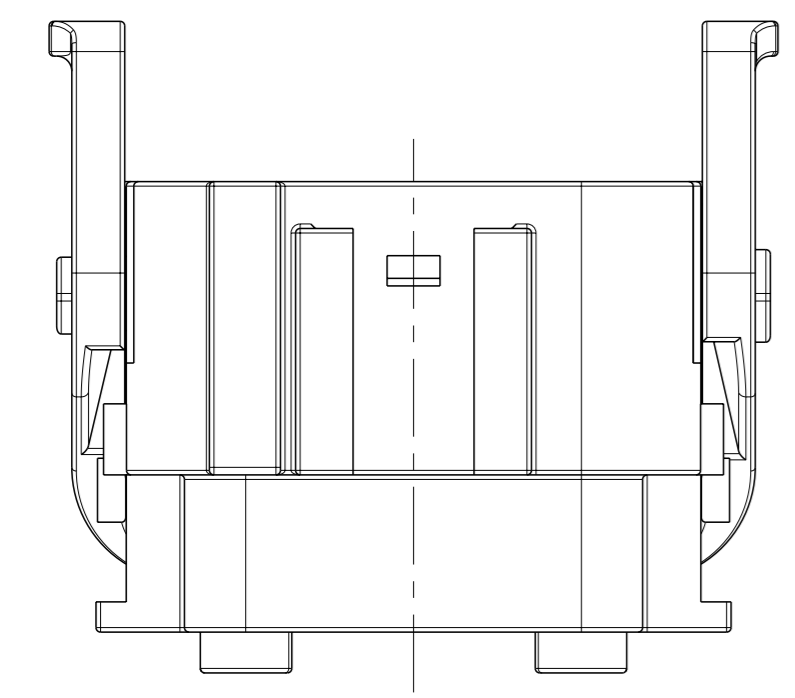


<TABLE 1>

TYPE	PART NO.	WIRE SIZE(mm ²)	Insulation DIA(mm)	Applicable WIRE(Reference)	FINISH
MTII	0-962875-1	0.2-0.5	1.2-1.6	AVSSXF 0.5 Max	CuSn4
	0-962875-3				CuSn4(GOLD)
	0-962876-1	0.5-1.0	1.4-2.1	AVSSXF 0.85 Max	CuSn4
0-962876-3	CuSn4(GOLD)				
JPT	0-927770-3	0.5-1.0	1.4-2.1	FLK 1.0 Max	CuSn4
	2-927770-1				CuSn4(GOLD)
	0-927766-3	1.0-2.5	2.2-3.0	AVSS 2.0 Max or FLR 2.5 Max	CuSn4
	2-927766-1				CuSn4(GOLD)

<TABLE 2>

TYPE	PART NO.	WIRE INSULATION DIAMETER(mm)	COLOR
MTII	964971-1	1.2-1.6	RED
	963530-1	1.4-1.9	GRAY
	964972-1	1.9-2.1	YELLOW
	963531-1	CAVITY PLUG	WHITE
JPT	828904-2	1.2-2.1	BLUE
	828905-1	2.2-3.0	WHITE
	828922-1	CAVITY PLUG	NATURAL



- NOTE
- GENERAL TOLERANCE: ± 0.3 , $\pm 3^\circ$
 - DELIVERY CONDITION
 - APPLIED CAP P/N: X-1897013-X
APPLIED WIRE COVER P/N: X-1897014-X
 - APPLICABLE RECEPTACLE CONTACT P/N: TABLE 1
 - APPLICABLE WIRE SEAL P/N: TABLE 2
 - CLIP INSERTION DIRECTION : TABLE 3

NO	DESCRIPTION	MATERIAL	COLOR	Q'TY
④	INNER SEAL	SILICONE	RED ORANGE	1
③	LEVER HSG	PBT-GF20	GRAY	1
②	MAIN PLUG HSG - TYPE B	PBT-GF15	GRAY	-
②	MAIN PLUG HSG - TYPE A	PBT-GF15	BLACK	-
①	FRONT PLUG HSG	PA66-GF30	BLACK	1

THIS DRAWING IS A CONTROLLED DOCUMENT. DIMENSIONS: mm. TOLERANCES UNLESS OTHERWISE SPECIFIED: 0 PLC ±, 1 PLC ±, 2 PLC ±, 3 PLC ±, 4 BCC ±, ANGLES FINISH *.

OWN: CH PARK, CHK: YM CHOI, APVD: JK SONG, PRODUCT SPEC.

NAME: PLUG ASS'Y FOR MTII JPT SLD 26P

SIZE: A1, CAGE CODE: 00779, DRAWING NO: 1897009, RESTRICTED TO: -

SCALE: 2:1, SHEET: 1 OF 1, REV: E

X-ON Electronics

Largest Supplier of Electrical and Electronic Components

Click to view similar products for [Automotive Connectors](#) category:

Click to view products by [TE Connectivity](#) manufacturer:

Other Similar products are found below :

[003-018-000](#) [60403001](#) [60993906-B](#) [M902-2131](#) [M902-2161](#) [72.330.1035.1](#) [73.353.4028.0](#) [F119300-B](#) [F166900](#) [F258300-B](#) [F358300-B](#)
[F407400](#) [F444110](#) [F487000](#) [F509500B-B](#) [827153-1](#) [8N1515-32-24P](#) [9-1326729-8](#) [925474-1](#) [928905-1](#) [964562-4](#) [968782-1](#) [GT17SA-8DS-](#)
[HU](#) [98891-1012](#) [98947-1016](#) [12004147](#) [12004475-L](#) [12010290](#) [12010309-B](#) [12015454](#) [12020219-B](#) [12020308](#) [12041318-B](#) [12052225-L](#)
[12052466](#) [12059125](#) [12064869](#) [12004327-B](#) [12010503-B](#) [12015308](#) [12015384](#) [12015909](#) [1-21030-1](#) [12041254](#) [12041318](#) [12047946-B](#)
[12047957](#) [12047957-L](#) [12059473](#) [12066261](#)