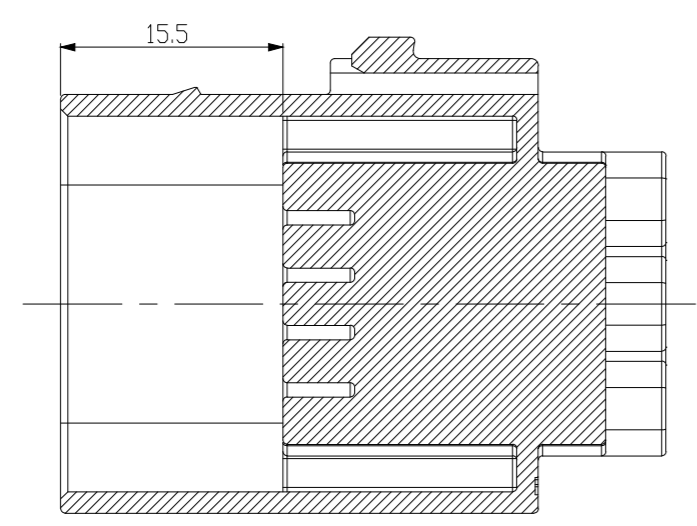
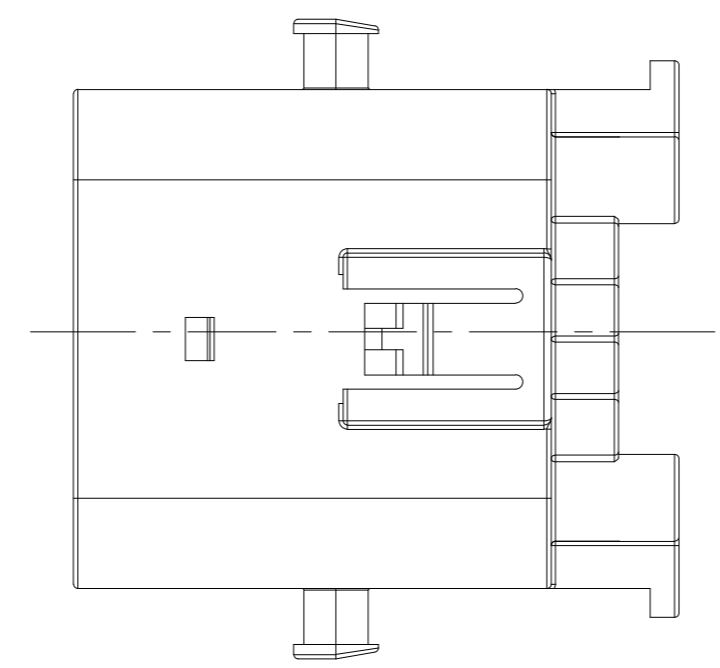


REVISIONS				
P	LTR	DESCRIPTION	DATE	APVD
	B2	REVISED (ECR-16-009958)	31.OCT.16	SJ JW

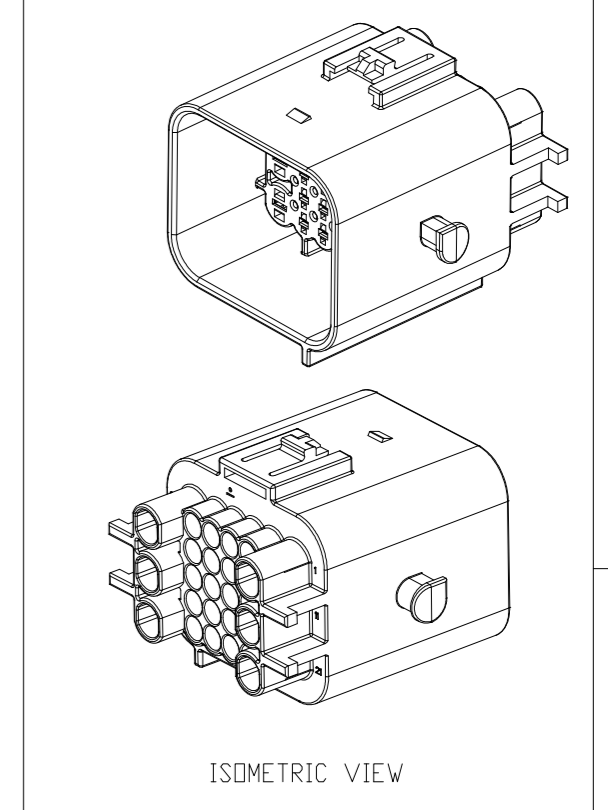


SECTION A1-A1

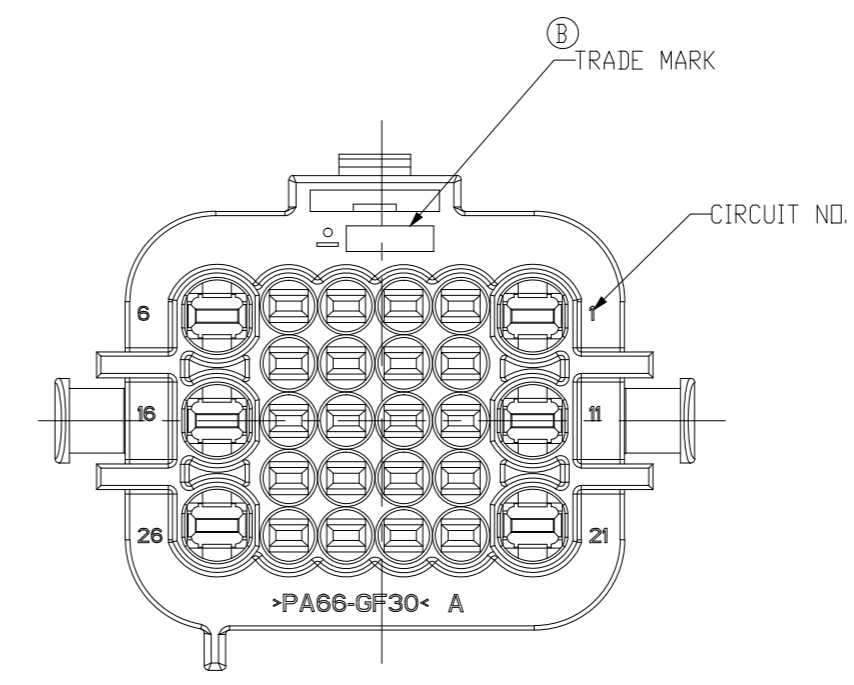
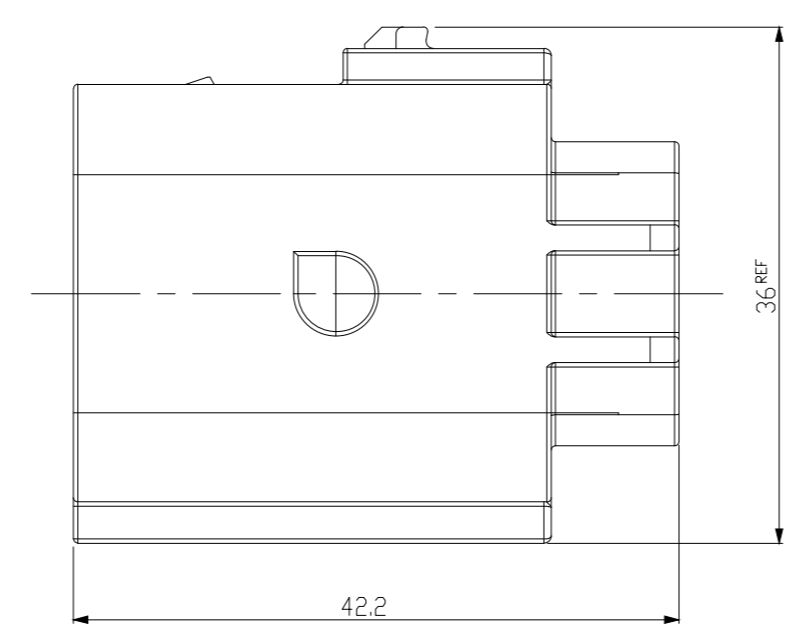
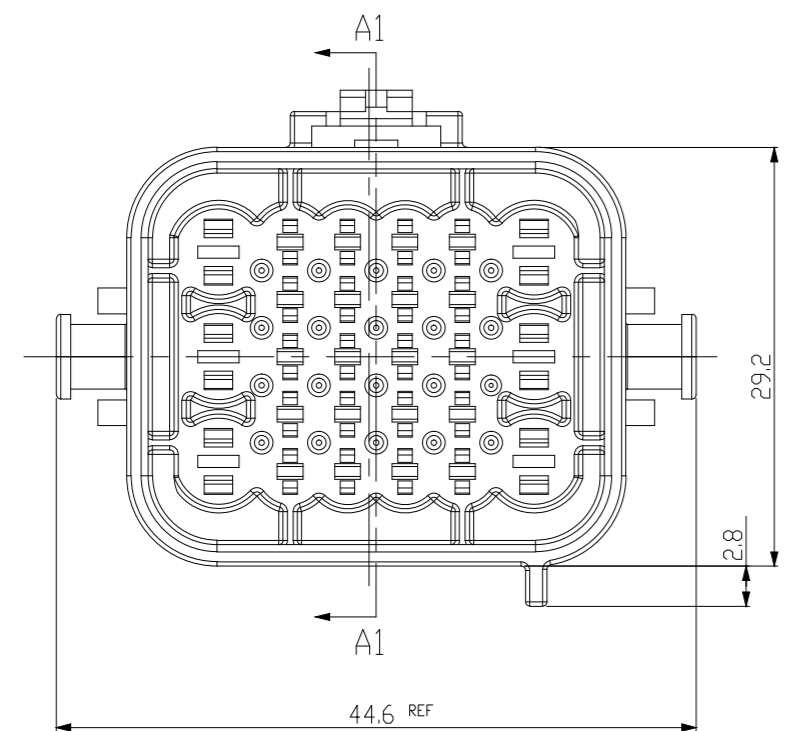


<TABLE 1>

TYPE	PART NO.	WIRE SIZE(mm <sup>2</sup> )	Insulation DIA(mm)	Applicable WIRE	FINISH
MTII	0-963902-1	0.2~0.5	1.15~1.6	AVSSXF 0.5 Max	CuSn4
	0-963902-3				CuSn4(GOLD)
	0-963904-1	0.5~1.0	1.4~2.1	AVSSXF 0.85 Max	CuSn4
0-963904-3	CuSn4(GOLD)				
JPT	1-962915-1	0.5~1.0	2.1 Max	AVSSXF 0.85 Max	CuSn4
	1-962915-3				CuSn4(GOLD)
	1-962916-1	1.0~2.5	3.0 Max	AVSS 2.0 Max or FLR 2.5 Max	CuSn4
1-962916-3	CuSn4(GOLD)				



ISOMETRIC VIEW



<TABLE 2>

TYPE	PART NO.	WIRE INSULATION DIAMETER(mm)	COLOR
MTII	964971-1	1.2~1.6	RED
	963530-1	1.4~1.9	GRAY
	964972-1	1.9~2.1	YELLOW
JPT	963531-1	CAVITY PLUG	WHITE
	828904-2	1.2~2.1	BLUE
	828905-1	2.2~3.0	WHITE
	828922-1	CAVITY PLUG	NATURAL

- NOTE
- GENERAL TOLERANCE: ±0.3, ±3°
  - APPLIED PLUG P/N:X-1897009-X  
APPLIED WIRE COVER P/N:X-1897015-X
  - APPLICABLE TAB CONTACT P/N:TABLE 1
  - APPLICABLE WIRE SEAL P/N:TABLE 2

DESCRIPTION	MATERIAL	COLOR	P/N
ⓑ CAP HSG FOR HYB 26P	PA66-GF30	GRAY	1897013-3
CAP HSG FOR HYB 26P	PA66-GF30	BALCK	1897013-2

THIS DRAWING IS A CONTROLLED DOCUMENT.

DIMENSIONS: mm	TOLERANCES UNLESS OTHERWISE SPECIFIED:	DWN SJ CHOI	CHK SJ CHOI	APVD JW JUNG	NAME CAP HSG FOR MTII JPT SEALED 26P
3rd ANGLE PROJECTION	0 PLC ± 1 PLC ± 2 PLC ± 3 PLC ± 4 PLC ± ANGLES ±	PRODUCT SPEC	APPLICATION SPEC	WEIGHT	SIZE A2
MATERIAL SEE TABLE	FINISH	CUSTOMER DRAWING	SCALE 2:1	SHEET 1 OF 1	RESTRICTED TO -

TE Connectivity

©=1897013

REV B2

## X-ON Electronics

Largest Supplier of Electrical and Electronic Components

*Click to view similar products for [Automotive Connectors](#) category:*

*Click to view products by [TE Connectivity](#) manufacturer:*

Other Similar products are found below :

[003-018-000](#) [60403001](#) [60993906-B](#) [M902-2131](#) [M902-2161](#) [M902-2344](#) [72.330.1035.1](#) [73.353.4028.0](#) [F119300-B](#) [F166900](#) [F258300-B](#)  
[F358300-B](#) [F407400](#) [F444110](#) [F487000](#) [F509500B-B](#) [827153-1](#) [8N1515-32-24P](#) [9-1326729-8](#) [925474-1](#) [928905-1](#) [964562-4](#) [968782-1](#)  
[GT17SA-8DS-HU](#) [98891-1012](#) [98947-1016](#) [12004147](#) [12004475-L](#) [12010290](#) [12010309-B](#) [12015454](#) [12020219-B](#) [12041318-B](#) [12052225-](#)  
[L](#) [12052466](#) [12064869](#) [12004327-B](#) [12015308](#) [12015384](#) [12015909](#) [1-21030-1](#) [12041254](#) [12041318](#) [12047946-B](#) [12047957](#) [12047957-L](#)  
[12059473](#) [12066261](#) [12110546](#) [12110546-B](#)