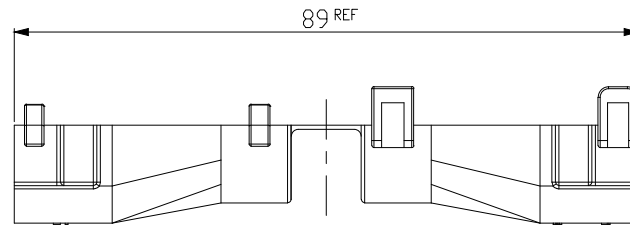
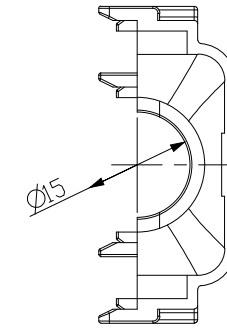
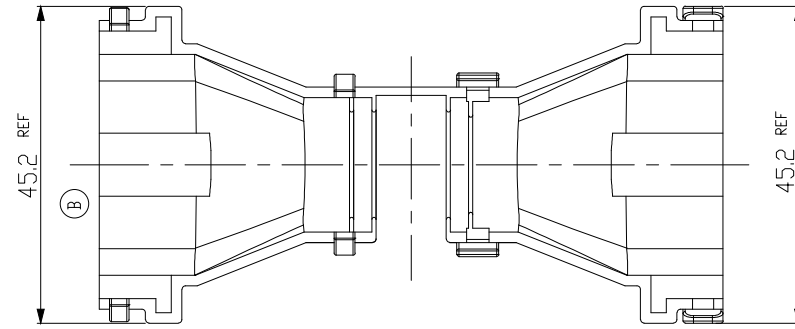
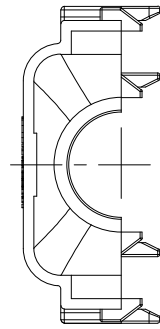
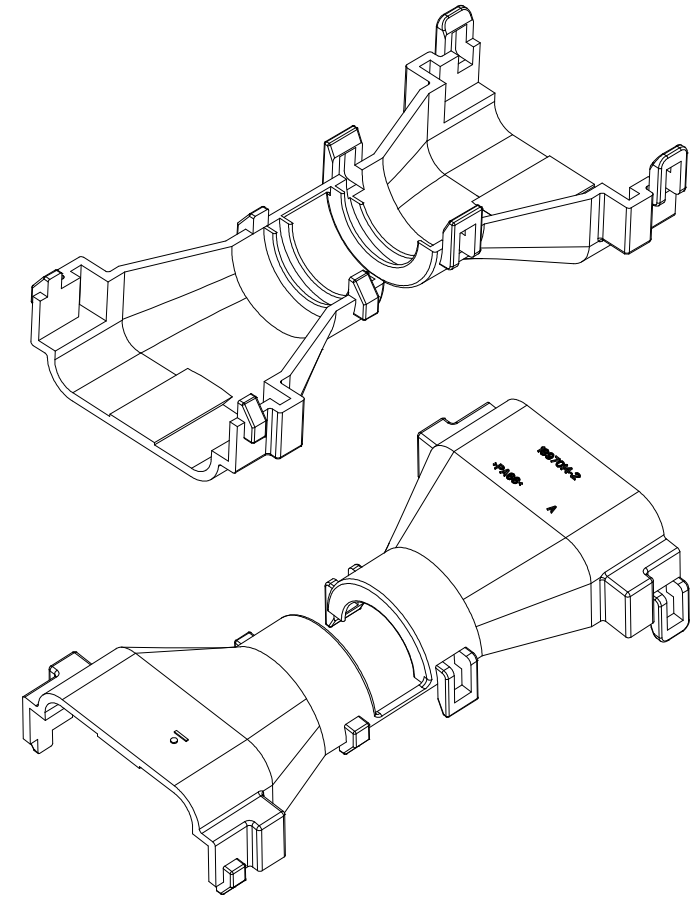
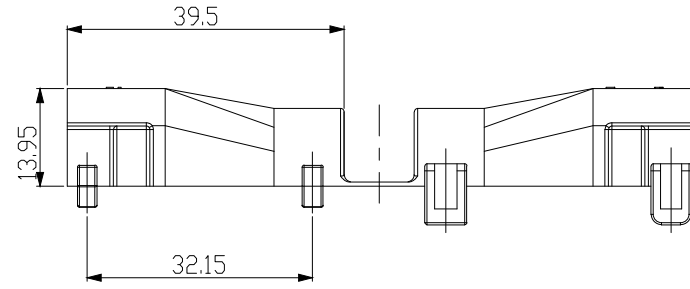
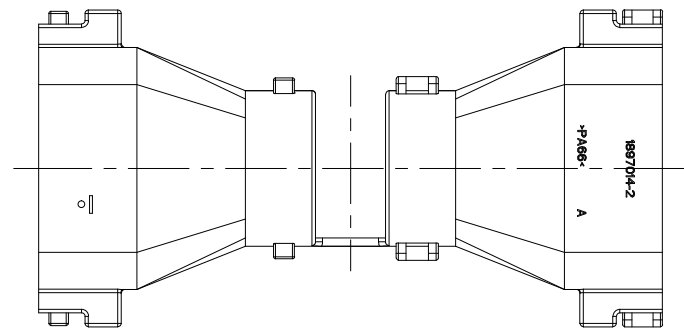


THIS DRAWING IS UNPUBLISHED. RELEASED FOR PUBLICATION 20
 © COPYRIGHT 20 BY - TE Connectivity ALL RIGHTS RESERVED.


REVISIONS				
P	LTR	DESCRIPTION	DATE	DWN APVD
	B1	REVISED (ECR-16-015632)	04.NOV.16	SJ JW



NOTE
 1. GENERAL TOLERANCE: ±0.3
 2. APPLICABLE CONNECTOR: X-1897009-X
 3. APPLICABLE CORRUGATE TUBE: Ø14mm
 4. APPLICATION TEST SPEC: MS210-06C (EXCEPT 4.4)



BLACK	PA66	1897014-2
COLOR	MATERIAL	P/N

THIS DRAWING IS A CONTROLLED DOCUMENT.		DWN SJ CHOI	 TE Connectivity	
DIMENSIONS: mm		CHK SJ CHOI		
TOLERANCES UNLESS OTHERWISE SPECIFIED:		APVD JW JUNG	NAME PLUG WIRE COVER FOR MTII/JPT SEALED 26P PLUG ASS'Y	
0 PLC ±		PRODUCT SPEC	RESTRICTED TO	
1 PLC ±		APPLICATION SPEC	SIZE A3	CAGE CODE 00779
2 PLC ±		WEIGHT	DRAWING NO C-1897014	SCALE 1:1
3 PLC ±		CUSTOMER DRAWING	SHEET 1 OF 1	REV B1
4 PLC ±				
ANGLES ±				
FINISH				
MATERIAL SEE TABLE				

X-ON Electronics

Largest Supplier of Electrical and Electronic Components

Click to view similar products for [Crimpers / Crimping Tools](#) category:

Click to view products by [TE Connectivity](#) manufacturer:

Other Similar products are found below :

[010-0096](#) [CT150-2-D02](#) [CT150-6-RH07](#) [622-6441LF](#) [63484-3701](#) [63800-8355](#) [63819-1875](#) [63819-2875](#) [63819-4475](#) [63827-5375](#) [64005-0175](#) [662903-2](#) [690602-6](#) [7-23471-1](#) [734611-1](#) [762637-1](#) [811242-5](#) [91362-1](#) [1-21002-3](#) [1-21002-7](#) [12118040](#) [12085270](#) [12387119-6](#) [1-22548-4](#) [125442-1](#) [DCE.91.073.BVC](#) [DCE.91.090.3MVM](#) [DCE.91.162.BVCM](#) [DCE.91.202.BVCM](#) [1310G2](#) [1333249-1](#) [1-354003-0](#) [1338301-1](#) [DF62/RE-MD](#) [142321](#) [AP105-DF11-2428S\(64\)](#) [1456088-1](#) [1-45804-6](#) [15397700](#) [AX100749](#) [1-59619-7](#) [1596970-1](#) [1-59619-8](#) [1901238-2](#) [2119581-1](#) [K761](#) [KTH-1079](#) [KTH-2022](#) [KTH-2260](#) [904139-1](#)