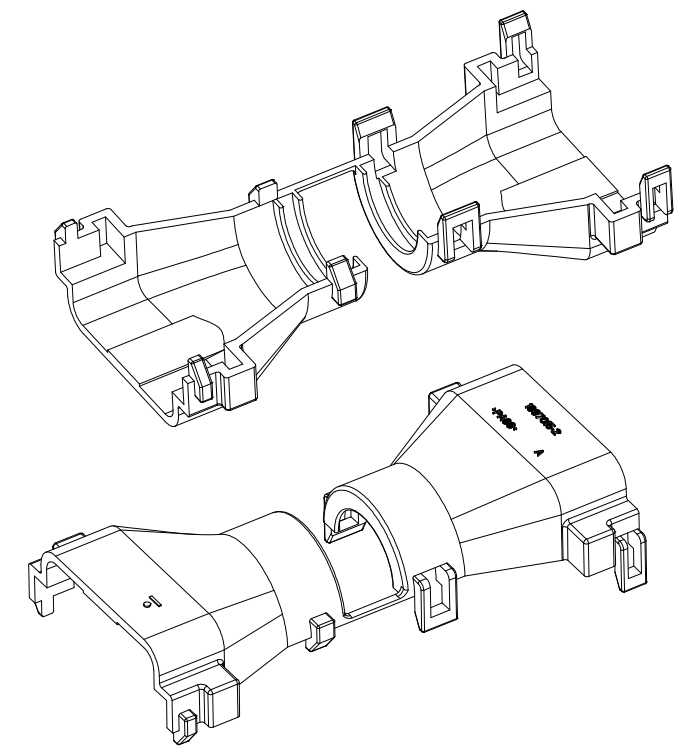
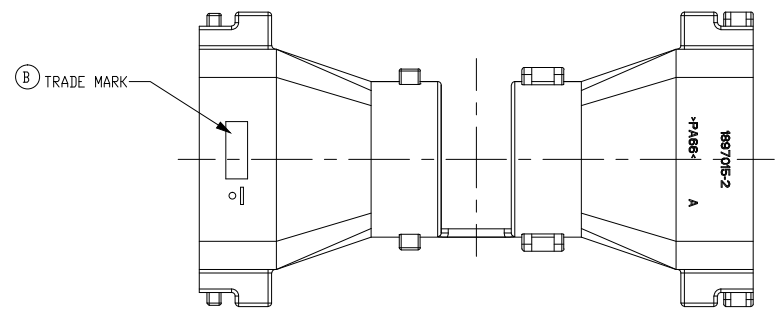
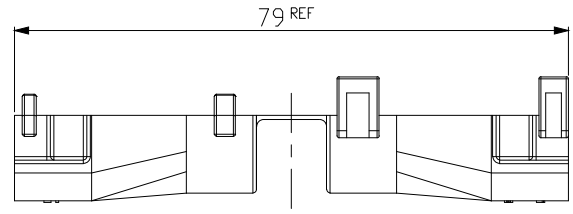
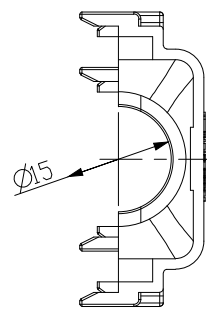
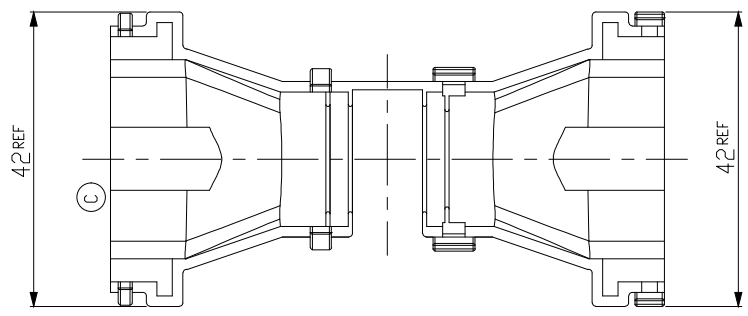
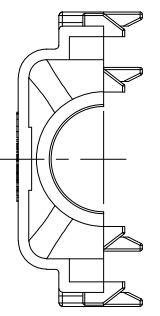
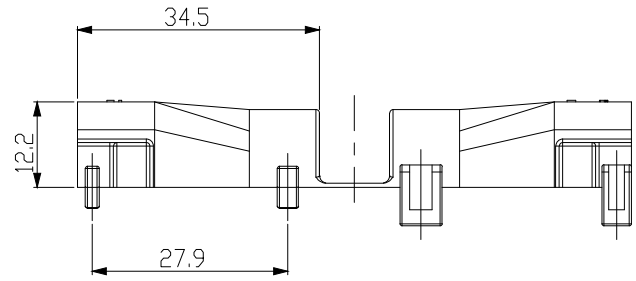


THIS DRAWING IS UNPUBLISHED. RELEASED FOR PUBLICATION 20  
 © COPYRIGHT 20 BY - TE Connectivity ALL RIGHTS RESERVED.

REVISIONS				
P	LTR	DESCRIPTION	DATE	DWN APVD
C		REVISED (ECR-16-004532)	19.AUG.16	SJ JW



ISOMETRIC VIEW

NOTE  
 1. GENERAL TOLERANCE: ±0.3  
 2. APPLICABLE CONNECTOR: X-1897013-X  
 3. APPLICABLE CORRUGATE TUBE: Ø14mm  
 4. APPLICATION TEST SPEC: MS210-06C (EXCEPT 4.4)

BLACK	PA66	1897015-2
COLOR	MATERIAL	P/N

THIS DRAWING IS A CONTROLLED DOCUMENT.		DWN SJ CHOI		
DIMENSIONS: mm		CHK SJ CHOI		
TOLERANCES UNLESS OTHERWISE SPECIFIED		APVD JW JUNG	NAME CAP WIRE COVER FOR MTII/JPT SEALED 26P CAP ASS'Y	
0 PLC ±		PRODUCT SPEC	RESTRICTED TO	
1 PLC ±		APPLICATION SPEC	SIZE A3	CAGE CODE 00779
2 PLC ±		WEIGHT	DRAWING NO C-1897015	SCALE 1:1
3 PLC ±		CUSTOMER DRAWING	SHEET 1	OF 1
4 PLC ±			REV C	
ANGLES ±				
FINISH				
MATERIAL SEE TABLE				

## X-ON Electronics

Largest Supplier of Electrical and Electronic Components

*Click to view similar products for [Automotive Connectors](#) category:*

*Click to view products by [TE Connectivity](#) manufacturer:*

Other Similar products are found below :

[003-018-000](#) [60993906-B](#) [72.330.1035.1](#) [F358300-B](#) [F407400](#) [776880-1](#) [827153-1](#) [8N1515-32-24P](#) [9-1326729-8](#) [925474-1](#) [928905-1](#)  
[964562-4](#) [968782-1](#) [98891-1012](#) [12004475-L](#) [12041318-B](#) [12052466](#) [12015909](#) [1-21030-1](#) [12041318](#) [12047957](#) [12185550](#) [12336-12](#)  
[12147304](#) [1-326211-1](#) [13681974](#) [13783086](#) [13832576](#) [13542772](#) [13675513](#) [1428188-1](#) [1437287-3](#) [1428188-2](#) [DS07-19S-5020](#) [1456983-5](#)  
[1456987-7](#) [APD-7CP-H](#) [APK-SB25A10L](#) [1452931-2](#) [15336198](#) [15491972](#) [15305306](#) [15396680](#) [15425613](#) [15518544](#) [15522351](#) [1719636-1](#)  
[172190-2](#) [172190-5](#) [192900-0402](#)