

4

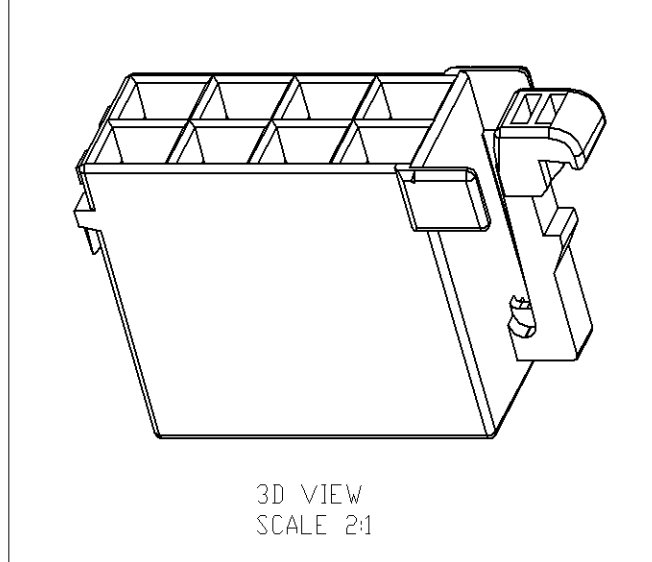
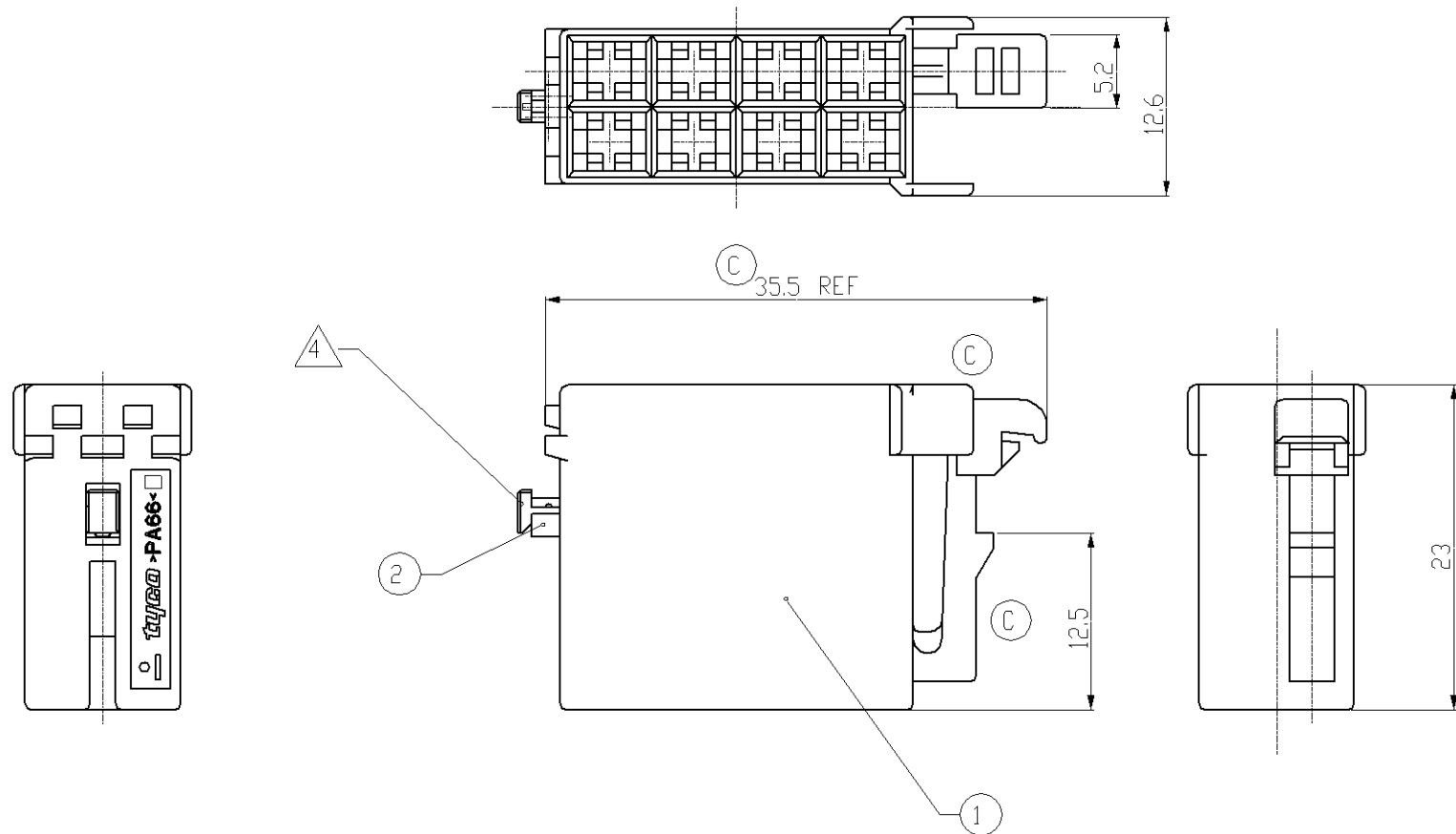
3

2

1

THIS DRAWING IS UNPUBLISHED. RELEASED FOR PUBLICATION 20
© COPYRIGHT 20 BY TYCO ELECTRONICS CORPORATION. ALL RIGHTS RESERVED.

LOC	DIST	REVISIONS				
P	LTR	DESCRIPTION	DATE	DWN	APVD	
DS	-					
	B	REVISED (ECR-07-021385)	04/SEP/07	YS	JK	
	C	REVISED (ECR-07-029795)	11/DEC/07	YS	JK	



< TABLE 1 >

TYPE	P/N	WIRE SIZE(mm ²)	INSULATION DIA.(mm)	MATERIAL /FINISH
JT	170439-1	0.3~0.56	1.5~2.4	Phosphor Bronze /Pre-tin Plated
	170209-1	0.5~2.27	2.16~3.43	

NOTES;

- 1. THE MATING HSG P/N: 1897097
- 2. APPLIED CONTACT P/N: SEE TABLE 1
- 3. GENERAL TOLERANCES: ±0.3, ±3°
- △ RETAINER IS PRE-LOCKING.

1897122-3	ASSY P/N
-----------	----------

NO	COLOR	MATERIAL	DESCRIPTION	Q'TY
2	NATURAL	PA66-GF15	RETAINER FOR 8P HSG	1
1	GRAY	PA66	8P JUNIOR-TIMER HSG, PART D2	1

THIS DRAWING IS A CONTROLLED DOCUMENT FOR TYCO ELECTRONICS CORPORATION IT IS SUBJECT TO CHANGE AND THE CONTROLLING ENGINEERING ORGANIZATION SHOULD BE CONTACTED FOR THE LATEST REVISION.

DIMENSIONS: mm		TOLERANCES UNLESS OTHERWISE SPECIFIED:	
<p>3rd ANGLE PROJECTION</p>		0 PLC	±-
		1 PLC	±-
		2 PLC	±-
		3 PLC	±-
		4 PLC	±-
MATERIAL SEE TABLE		FINISH	-

DWN YS PARK		<p>AMP KOREA. kyungsan, korea</p>	
CHK JW JUNG			
APVD JK SONG		NAME	
PRODUCT SPEC -		JUNIOR TIMER 8P PLUG ASS'Y, PART D2	
APPLICATION SPEC -		SIZE	RESTRICTED TO
WEIGHT -		A3	-
CUSTOMER DRAWING		CAGE CODE 00779	DRAWING NO C-1897122
SCALE 2:1		SHEET 1 OF 1	REV C

X-ON Electronics

Largest Supplier of Electrical and Electronic Components

Click to view similar products for [Automotive Connectors](#) category:

Click to view products by [TE Connectivity](#) manufacturer:

Other Similar products are found below :

[003-018-000](#) [60403001](#) [60993906-B](#) [M902-2131](#) [M902-2161](#) [M902-2344](#) [72.330.1035.1](#) [73.353.4028.0](#) [F119300-B](#) [F166900](#) [F258300-B](#)
[F358300-B](#) [F407400](#) [F444110](#) [F487000](#) [F509500B-B](#) [827153-1](#) [8N1515-32-24P](#) [9-1326729-8](#) [925474-1](#) [928905-1](#) [964562-4](#) [968782-1](#)
[GT17SA-8DS-HU](#) [98891-1012](#) [98947-1016](#) [12004147](#) [12004475-L](#) [12010290](#) [12015454](#) [12020219-B](#) [12041318-B](#) [12052225-L](#) [12052466](#)
[12064869](#) [12004327-B](#) [12015308](#) [12015384](#) [12015909](#) [1-21030-1](#) [12041254](#) [12041318](#) [12047946-B](#) [12047957](#) [12047957-L](#) [12059473](#)
[12066261](#) [12110546](#) [12110546-B](#) [12131792](#)