

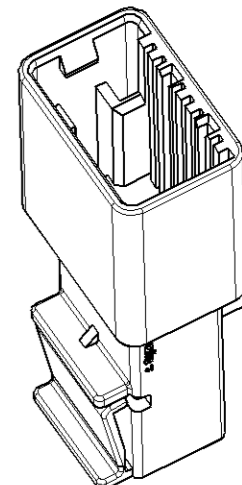
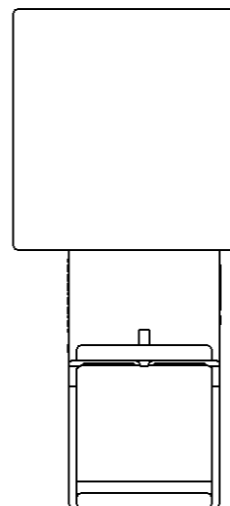
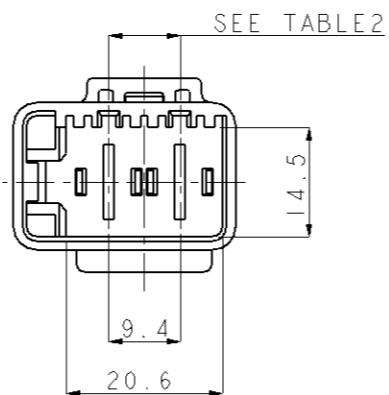
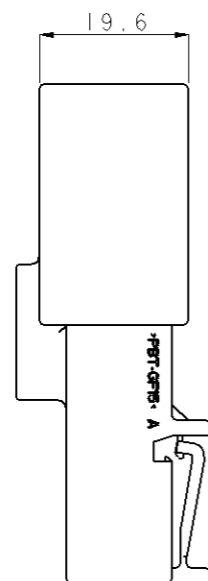
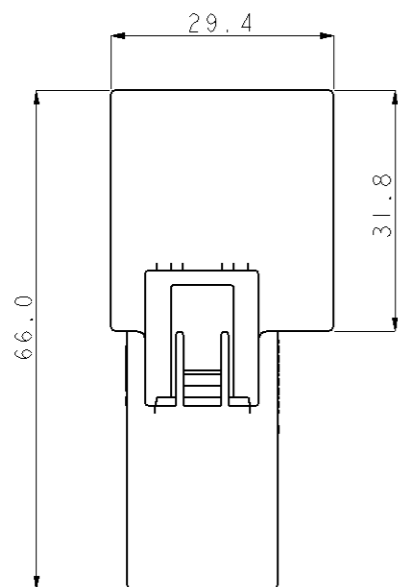
THIS DRAWING IS UNPUBLISHED.

RELEASED FOR PUBLICATION

20

© COPYRIGHT 20 BY TYCO ELECTRONICS CORPORATION. ALL RIGHTS RESERVED.

LOC	DIST	REVISIONS					
		P	LTR	DESCRIPTION	DATE	DWN	APVD
DS	-		A	RELEASE	08. AUG. '08	GC	JK



ISO VIEW

TABLE 1. APPLICABLE TAB CONTACT.

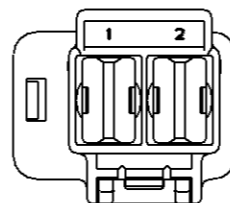
TAB	PART NO.	WIRE RANGE	
		mm <sup>2</sup>	INSULATION DIA. (FLK)
MCP 9.5mm	963766	4.0-6.0	2.4-5.2
	963768	6.0-10.0	4.7-6.6

NOTE ;

- GENERAL TOLERANCE : ±0.3, ±3.0°
- APPLICABLE TAB CONTACT : SEE TABLE 1.
- THE MATING PLUG ASS'Y P/N : 936619

TABLE 2. MCP 9.5mm CAP HSG KEY CODE

0-1897198-2	1-1897198-1	2-1897198-3
3-1897198-4	4-1897198-7	5-1897198-8



THIS DRAWING IS A CONTROLLED DOCUMENT FOR TYCO ELECTRONICS CORPORATION IT IS SUBJECT TO CHANGE AND THE CONTROLLING ENGINEERING ORGANIZATION SHOULD BE CONTACTED FOR THE LATEST REVISION.		DWN GC KWON 08AUG2008	AMP KOREA kyungsan. korea	
DIMENSIONS: mm		CHK KT LIM	NAME	
TOLERANCES UNLESS OTHERWISE SPECIFIED: 0 PLC ±.5 1 PLC ±.5 2 PLC ±0.13 3 PLC ±0.013 4 PLC ±0.0001 ANGLES ±		APVD JK SONG	MCP 9.5 2P CAP HSG	
MATERIAL		PRODUCT SPEC	SIZE	RESTRICTED TO
FINISH		APPLICATION SPEC	CAGE CODE	
		WEIGHT	DRAWING NO	
		A300779C-1897198		
CUSTOMER DRAWING		SCALE	SHEET	REV

## X-ON Electronics

Largest Supplier of Electrical and Electronic Components

*Click to view similar products for [Automotive Connectors](#) category:*

*Click to view products by [TE Connectivity](#) manufacturer:*

Other Similar products are found below :

[003-018-000](#) [60993906-B](#) [72.330.1035.1](#) [776880-1](#) [827153-1](#) [9-1326729-8](#) [9-221607-5](#) [925474-1](#) [928905-1](#) [964562-4](#) [968782-1](#) [98891-1012](#) [12004468](#) [12004475-L](#) [12004483](#) [12052466](#) [12066163](#) [12015909](#) [12077753](#) [1-21030-1](#) [12047957](#) [12047958](#) [12084688](#) [12185550](#) [12336-12](#) [1-326211-1](#) [13681974](#) [13688972](#) [13755420](#) [13779834](#) [13783086](#) [13843152](#) [13522378](#) [13581967](#) [13669624](#) [13675513](#) [13753471](#) [13946876](#) [13953457](#) [13955963](#) [13964573](#) [13971791](#) [13790534-L](#) [13797473](#) [13805590](#) [13888202](#) [1428188-1](#) [1437287-3](#) [1428188-2](#) [DS07-19S-5020](#)