

4

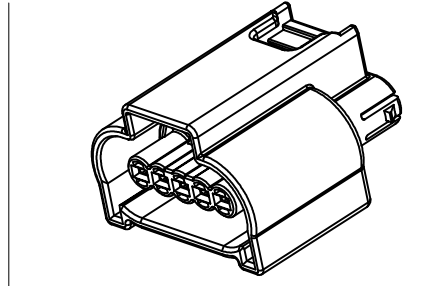
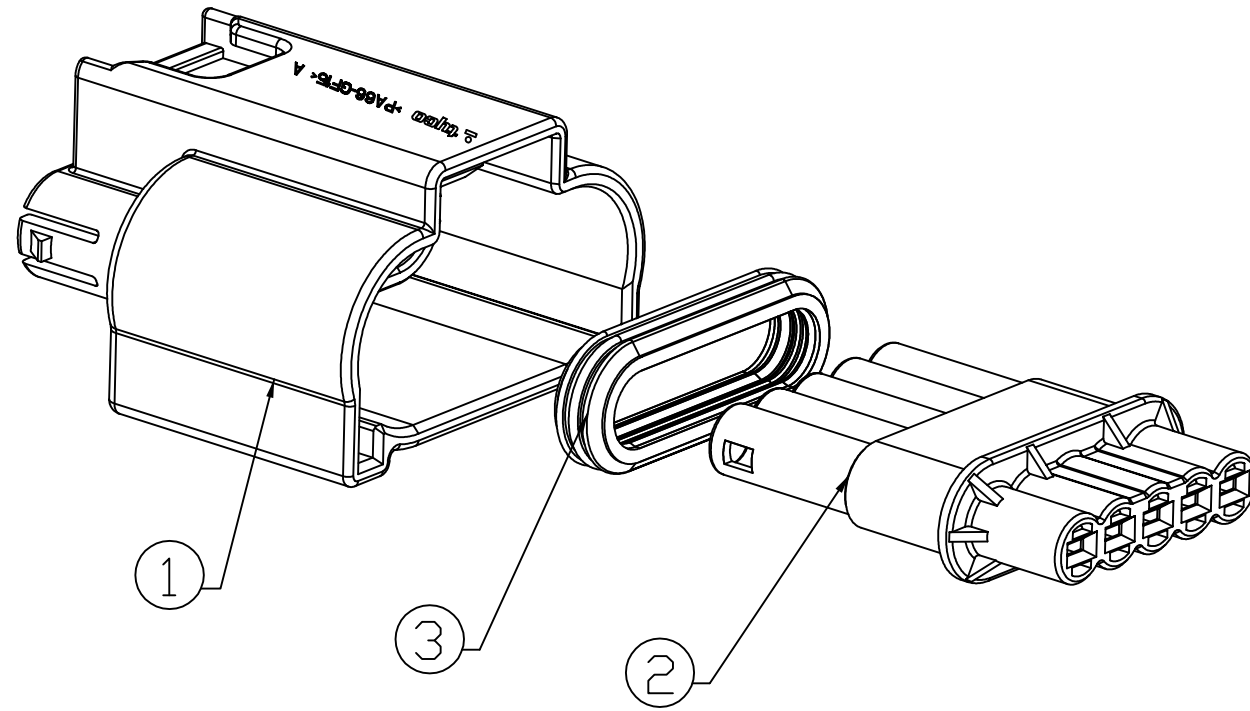
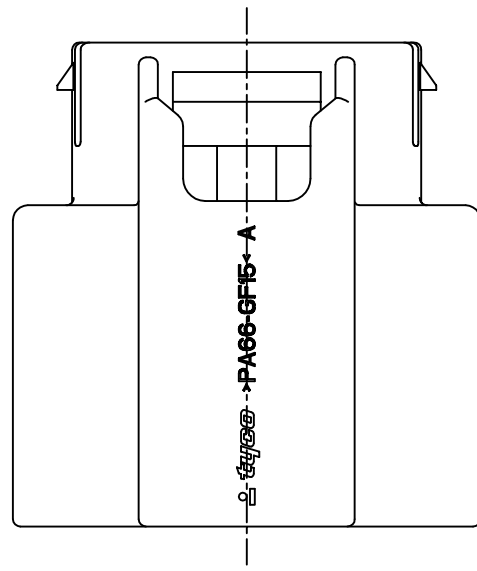
3

2

1

THIS DRAWING IS UNPUBLISHED. RELEASED FOR PUBLICATION 20
© COPYRIGHT 20 BY TYCO ELECTRONICS CORPORATION. ALL RIGHTS RESERVED.

LOC	DIST	REVISIONS			
P	LTR	DESCRIPTION	DATE	DWN	APVD
DS	-	B	REVISED (ECR-14-005046)	11.JUL.'14	SJ HG



ISOMETRIC VIEW

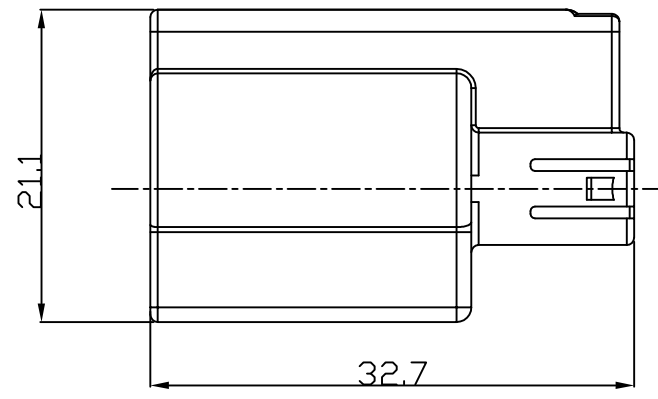
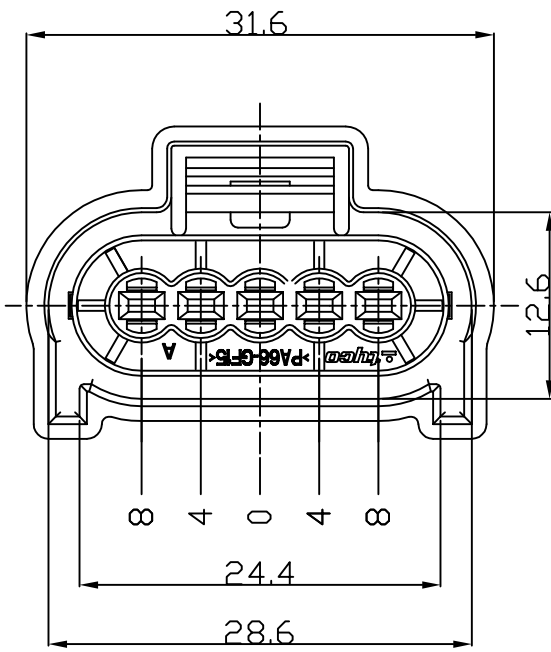
TABLE 2.

TAPE	PART NO.	INSULATION DIA. (mm)	COLOR
MCP1.5	1718705-1	0.9 - 1.2	GREEN
	964971-1	1.2 - 1.6	RED
	963530-1	1.4 - 1.9	GREY
	964972-1	1.9 - 2.3	YELLOW
	963531-1	CAVITY PLUG	WHITE

TABLE 1.

TAPE	PART NO.	WIRE RANGE (mm)	INSULATION DIA. (mm)	FINISH
MCP1.5	1241378-1	0.2 - 0.35	1.1 - 1.4	CuNiSi, Tin
	1241378-2			CuNiSi, Gold
	1241378-3			CuNiSi, Silver
	1241380-1	0.5 - 1.0	1.4 - 2.1	CuNiSi, Tin
	1241380-2			CuNiSi, Gold
	1241380-3			CuNiSi, Silver
	1418884-1	>1.0 - 1.5	2.2 - 2.4	CuNiSi, Tin
	1418884-2			CuNiSi, Gold
	1418884-3			CuNiSi, Silver

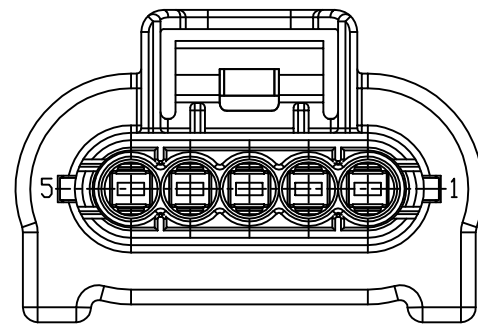
1897208-1 1.5 MCP 5P PLUG ASSY
ASSY P/N DESCRIPTION



NOTE ;

- 1. GENERAL TOLERANCE : ±0.3, ±3.0°
- 2. THE MATING CONNECTOR: 1897207-2
- 3. APPLICABLE RECETACLE CONTACT P/N: TABLE 1.
- 4. APPLICABLE WIRE SEAL P/N: TABLE 2

NO.	DESCRIPTION	MATERIAL	COLOR	Q'TY
③	SEAL	SILICON	ORANGE	1
②	SUB PLUG HS'G	PA66-GF15	BLACK	1
①	MAIN PLUG HS'G	PA66-GF15	BLACK	1



<p>THIS DRAWING IS A CONTROLLED DOCUMENT FOR TYCO ELECTRONICS CORPORATION IT IS SUBJECT TO CHANGE AND THE CONTROLLING ENGINEERING ORGANIZATION SHOULD BE CONTACTED FOR THE LATEST REVISION.</p>		<p>DWN SJ CHOI CHK JW JUNG APVD HG CHO PRODUCT SPEC</p>		<p>NAME TE Connectivity</p>	
<p>DIMENSIONS: MM</p>		<p>TOLERANCES UNLESS OTHERWISE SPECIFIED:</p> <p>0 PLC ±- 1 PLC ±0.5 2 PLC ±0.13 3 PLC ±0.013 4 PLC ±0.0001 ANGLES ±-</p>		<p>APPLICATION SPEC</p>	
<p>MATERIAL SEE TABLE</p>		<p>FINISH</p>		<p>WEIGHT</p>	
<p>CUSTOMER DRAWING</p>				<p>SIZE A3 CAGE CODE 00779 DRAWING NO. C-1897208 RESTRICTED TO -</p>	
<p>SCALE 2:1 SHEET 1 OF 1 REV B</p>				<p>TE Connectivity</p>	

X-ON Electronics

Largest Supplier of Electrical and Electronic Components

Click to view similar products for [Automotive Connectors](#) category:

Click to view products by [TE Connectivity](#) manufacturer:

Other Similar products are found below :

[003-018-000](#) [60403001](#) [60993906-B](#) [M902-2131](#) [M902-2161](#) [72.330.1035.1](#) [73.353.4028.0](#) [F119300-B](#) [F166900](#) [F258300-B](#) [F358300-B](#)
[F407400](#) [F444110](#) [F487000](#) [F509500B-B](#) [827153-1](#) [8N1515-32-24P](#) [9-1326729-8](#) [925474-1](#) [928905-1](#) [964562-4](#) [968782-1](#) [GT17SA-8DS-](#)
[HU](#) [98891-1012](#) [98947-1016](#) [12004147](#) [12004475-L](#) [12010290](#) [12010309-B](#) [12015454](#) [12020219-B](#) [12020308](#) [12041318-B](#) [12052225-L](#)
[12052466](#) [12059125](#) [12064869](#) [12004327-B](#) [12010503-B](#) [12015308](#) [12015384](#) [12015909](#) [1-21030-1](#) [12041254](#) [12041318](#) [12047946-B](#)
[12047957](#) [12047957-L](#) [12059473](#) [12066261](#)