

LOC	DIST	REVISIONS					
DS	-	P	LTR	DESCRIPTION	DATE	DWN	APVD
		A1		REVISED<ECR-11-024357>	02.DEC.11	CH	JK

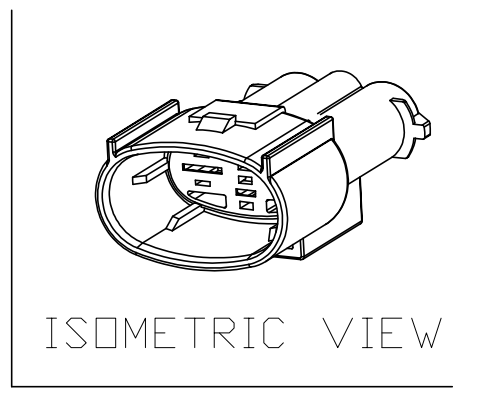
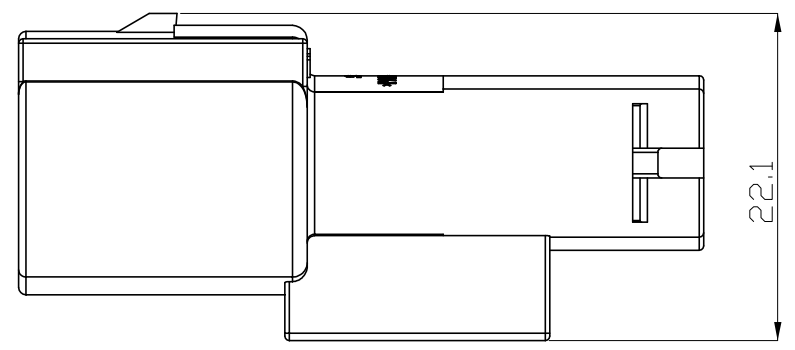
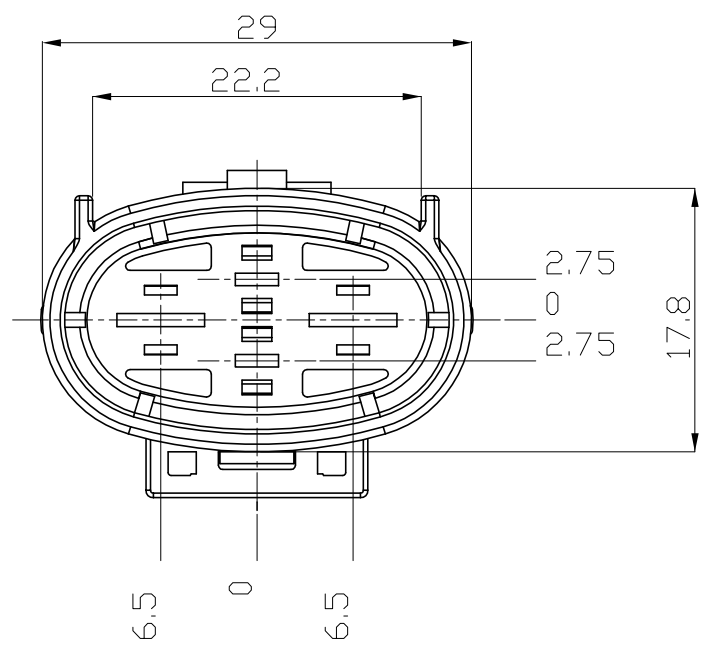
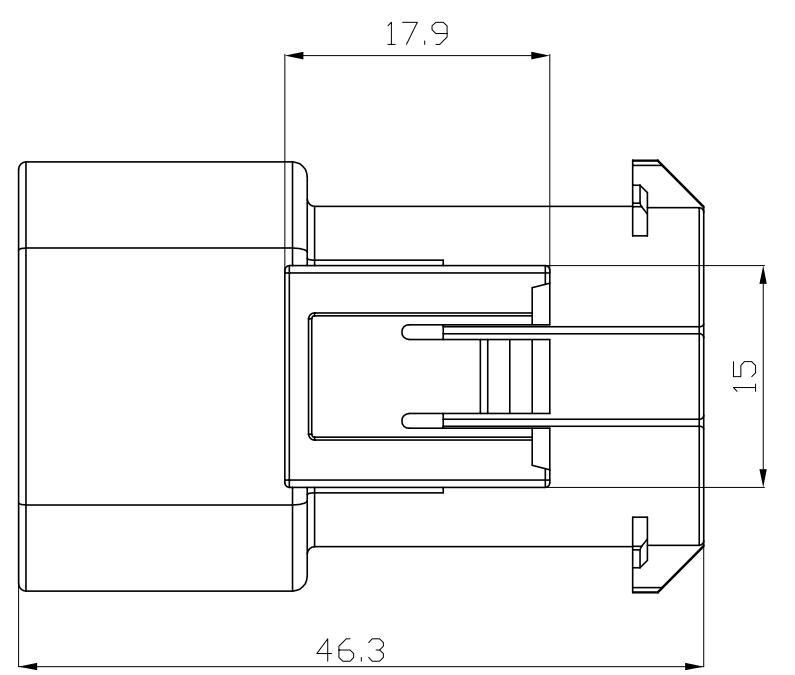
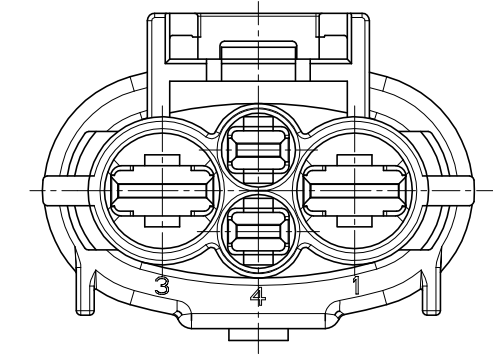


TABLE 1.

TAPE	PART NO.	WIRE RANGE (mrf)	INSULATION DIA. (mm)	FINISH
MCP2.8	1-964298-3	0.2 - 0.5	1.15 - 1.6	CuSn, Gold
	2-964298-1			CuFe, Tin
	1-964300-3	0.5 - 1.0	1.4 - 2.1	CuSn, Gold
	2-964300-1			CuFe, Tin
	2-962916-2	1.0 ~ 2.5	MAX 3.0	CuFe, Silver
	2-962916-1			CuFe, Tin
1-962916-2	CuSn4, Silver			
1-962916-1	CuSn4, Tin			
MCP6.3	1-962917-1	0.5 - 1.0	1.4 - 2.1	CuSn, Tin
	1-962917-2			CuSn, Silver
	2-962917-1			CuFe, Tin
	2-962917-2			CuFe, Silver
	1-962918-1	1.5 - 2.5	2.2 - 3.0	CuSn, Tin
	1-962918-2			CuSn, Silver
	2-962918-1			CuFe, Tin
	2-962918-2			CuFe, Silver
	1-962919-1	2.5 - 4.0	2.7 - 3.7	CuSn, Tin
	1-962919-2			CuSn, Silver
	2-962919-1			CuFe, Tin
	2-962919-2			CuFe, Silver



- NOTE
 1. GENERAL TOLERANCE : ±0.3, ±3.0°
 2. THE MATING CONNECTOR : 1897210-1
 3. APPLICABLE TAB CONTACT P/N: TABLE 1
 4. APPLICABLE WIRE SEAL P/N: TABLE 2

TABLE 2.

TAPE	PART NO.	INSULATION DIA. (mm)	COLOR
MCP2.8	828904-1	1.2 - 2.1	BLUE
	828904-2		WHITE
	828905-1	2.2 - 3.0	WHITE
MCP6.3	828922-1	CAVITY PLUG	NATURAL
	828986-1		BROWN
	963243-1	1.4 - 2.1	BLUE
	963244-1	2.2 - 3.0	WHITE
	963245-1	3.4 - 3.7	YELLOW
	100132-1	CAVITY PLUG	BLACK

1897209-2	CAP HSG	PA66-GF15	BLACK
PART NO.	DESCRIPTION	MATERIAL	COLOR

THIS DRAWING IS A CONTROLLED DOCUMENT FOR TYCO ELECTRONICS CORPORATION IT IS SUBJECT TO CHANGE AND THE CONTROLLING ENGINEERING ORGANIZATION SHOULD BE CONTACTED FOR THE LATEST REVISION.		DWN CH LEE CHK YJ YOUN APVD JK SONG PRODUCT SPEC		TE TE Connectivity	
DIMENSIONS: mm 		TOLERANCES UNLESS OTHERWISE SPECIFIED: 0 PLC ±0.13 1 PLC ±0.13 2 PLC ±0.13 3 PLC ±0.013 4 PLC ±0.0001 ANGLES ±		NAME MCP HYB 4P CAP HSG	
MATERIAL SEE TABLE		APPLICATION SPEC		SIZE A3 CAGE CODE 00779 DRAWING NO. 1897209 RESTRICTED TO -	
CUSTOMER DRAWING				SCALE 2:1 SHEET 1 OF 1 REV A1	

X-ON Electronics

Largest Supplier of Electrical and Electronic Components

Click to view similar products for [Automotive Connectors](#) category:

Click to view products by [TE Connectivity](#) manufacturer:

Other Similar products are found below :

[003-018-000](#) [60403001](#) [60993906-B](#) [M902-2131](#) [M902-2161](#) [72.330.1035.1](#) [73.353.4028.0](#) [F119300-B](#) [F166900](#) [F258300-B](#) [F358300-B](#)
[F407400](#) [F444110](#) [F487000](#) [F509500B-B](#) [827153-1](#) [8N1515-32-24P](#) [9-1326729-8](#) [925474-1](#) [928905-1](#) [964562-4](#) [968782-1](#) [GT17SA-8DS-](#)
[HU](#) [98891-1012](#) [98947-1016](#) [12004147](#) [12004475-L](#) [12010290](#) [12010309-B](#) [12015454](#) [12020219-B](#) [12020308](#) [12041318-B](#) [12052225-L](#)
[12052466](#) [12059125](#) [12064869](#) [12004327-B](#) [12010503-B](#) [12015308](#) [12015384](#) [12015909](#) [1-21030-1](#) [12041254](#) [12041318](#) [12047946-B](#)
[12047957](#) [12047957-L](#) [12059473](#) [12066261](#)