

THIS DRAWING IS UNPUBLISHED.

RELEASED FOR PUBLICATION

20

LOC DS

DIST -

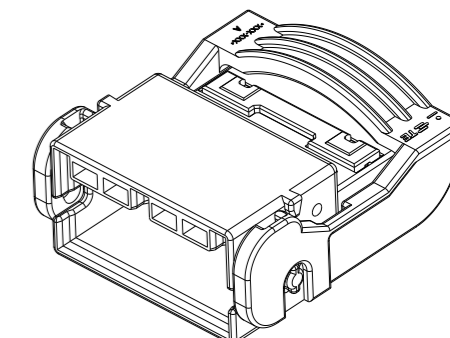
REVISIONS

© COPYRIGHT 20 BY - ALL RIGHTS RESERVED.

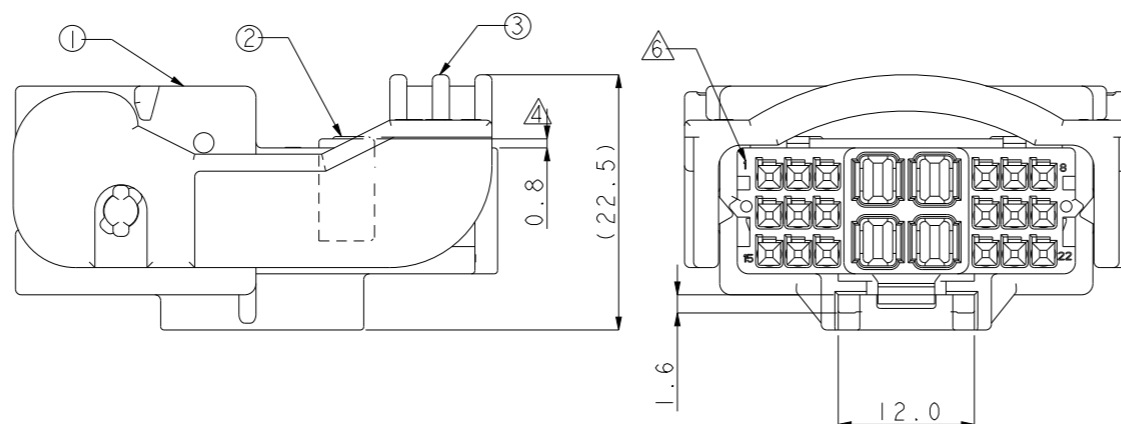
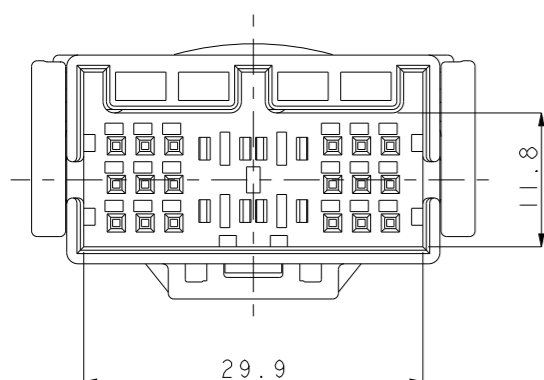
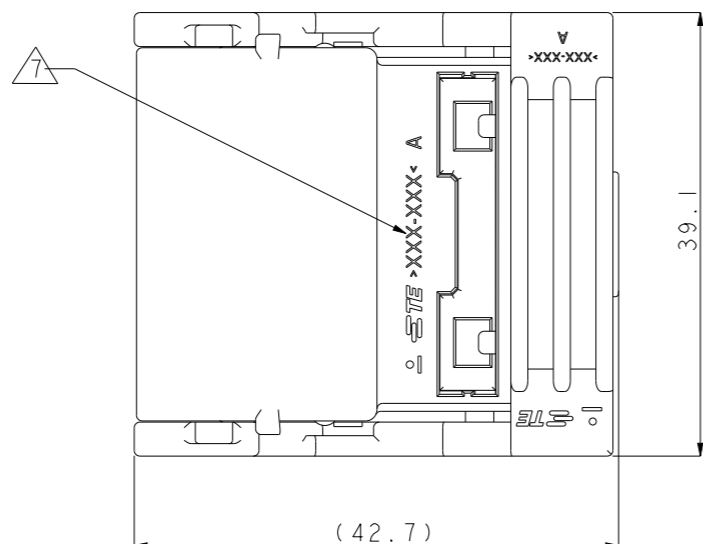
P	LTR	DESCRIPTION	DATE	DWN	APVD
	A	RELEASE	200CT2009	GC	JK
	A1	REVISED(ECR-13-012673)	05SEP2013	CH	HG
	A2	REVISED(ECR-20-007183)	19MAY2020	JH	GC
	A3	REVISED(ECR-21-103020)	07MAY2021	MJ	GC

TABLE 1. APPLICABLE TAB CONTACT.

TAB	PART NO.	WIRE RANGE(mm ²)	INSULATION DIA.(mm) (FLR)
MQS (0.64)	1355719	0.14-0.22	0.9-1.2
	928918	0.2-0.5	0.9-1.6
	963716	0.5-0.75	1.6-1.9
MCP 2.8	964292	0.2-0.5	1.15-1.6
	964294	0.5-1.0	1.4-2.1
	964296	1.25-2.5	2.2-3.0
	968946	4.0	3.4-3.7



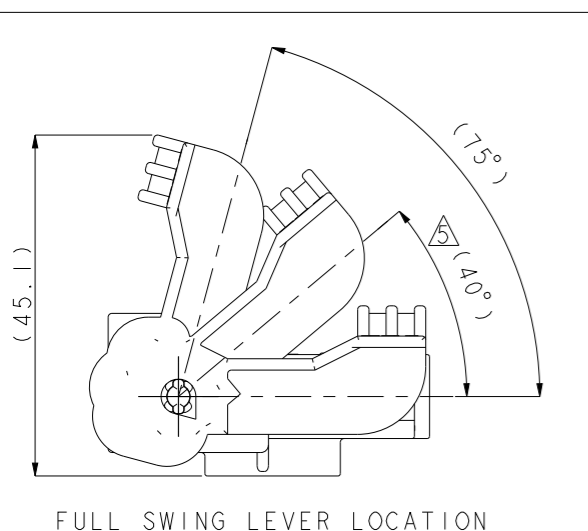
ISO VIEW



NOTE ;

- GENERAL TOLERANCE : $\pm 0.3, \pm 3.0^\circ$
- APPLICABLE TAB CONTACT : SEE TABLE 1.
- THE MATING PLUG ASS'Y P/N : 1897543
- DELIVERY CONDITION : TPA 1'ST LOCKING.
- DEGREE OF LEVER ASS'Y
- CIRCUIT NO.
- MATERIAL ID MARK
 - 1897540-2, 1-1897540-2 : >PBT-GF15<
 - 1897540-1 : >PA66-GF10<
- APPLICATION
 - 1897540-2, 1-1897540-2 : FOR IN-LINE CONNECTOR
 - 1897540-1 : FOR TRANSMISSION CONNECTOR

NO.	PART NO.	DESCRIPTION	MATERIAL	COLOR	Q'TY	ASS'Y P/N	DESCRIPTION
3	1897532-3	LEVER	PA66-GF35	GRAY	1		CAP HSG ASS'Y
	1897532-2		PBT-GF20	BLACK		1	CAP HSG ASS'Y
2	1897542-6	CAP DBL	PA66-GF10	RED	1		CAP HSG ASS'Y
	1897542-1		PBT	WHITE		1	CAP HSG ASS'Y
1	1-1897541-2	CAP HSG	PBT-GF15	BLACK			CAP HSG ASS'Y
	1897541-2		PBT-GF15	BLACK		1	CAP HSG ASS'Y
	1897541-1		PA66-GF10	NATURAL	1		CAP HSG ASS'Y



FULL SWING LEVER LOCATION

THIS DRAWING IS A CONTROLLED DOCUMENT.

DIMENSIONS: mm	TOLERANCES UNLESS OTHERWISE SPECIFIED: 0 PLC \pm 1 PLC \pm 2 PLC \pm 3 PLC \pm 4 PLC \pm ANGLES \pm
MATERIAL	FINISH

DWN	CJ CHOI
CHK	KT LIM
APVD	HG CHO
PRODUCT SPEC	-
APPLICATION SPEC	-
WEIGHT	-
CUSTOMER DRAWING	-

STE TE Connectivity

NAME
HYB(MQS/MCP2.8) 22P CAP HSG ASS'Y

SIZE	CAGE CODE	DRAWING NO	RESTRICTED TO
A3	00779	C-1897540	-

SCALE : | | SHEET | OF | REV A3

X-ON Electronics

Largest Supplier of Electrical and Electronic Components

Click to view similar products for [Automotive Connectors](#) category:

Click to view products by [TE Connectivity](#) manufacturer:

Other Similar products are found below :

[003-018-000](#) [60403001](#) [60993906-B](#) [M902-2131](#) [M902-2161](#) [M902-2344](#) [72.330.1035.1](#) [73.353.4028.0](#) [F119300-B](#) [F166900](#) [F258300-B](#)
[F358300-B](#) [F407400](#) [F444110](#) [F487000](#) [F509500B-B](#) [827153-1](#) [8N1515-32-24P](#) [9-1326729-8](#) [925474-1](#) [928905-1](#) [964562-4](#) [968782-1](#)
[GT17SA-8DS-HU](#) [98891-1012](#) [98947-1016](#) [12004147](#) [12004475-L](#) [12010290](#) [12010309-B](#) [12015454](#) [12020219-B](#) [12041318-B](#) [12052225-](#)
[L](#) [12052466](#) [12064869](#) [12004327-B](#) [12015308](#) [12015384](#) [12015909](#) [1-21030-1](#) [12041254](#) [12041318](#) [12047946-B](#) [12047957](#) [12047957-L](#)
[12059473](#) [12066261](#) [12110546](#) [12110546-B](#)