

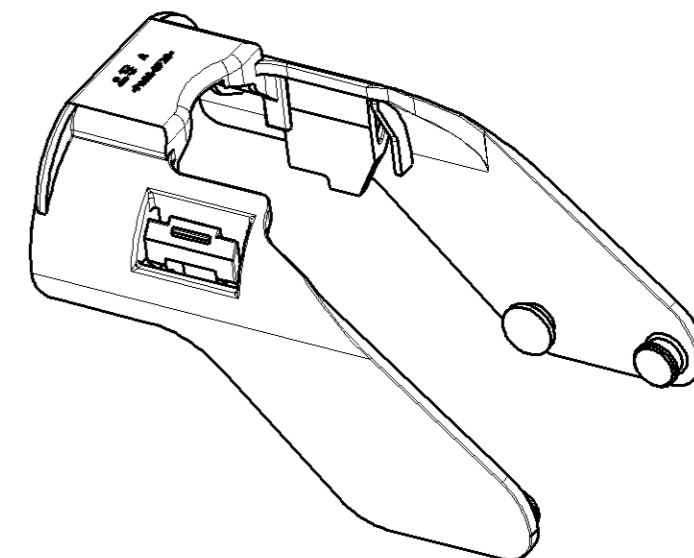
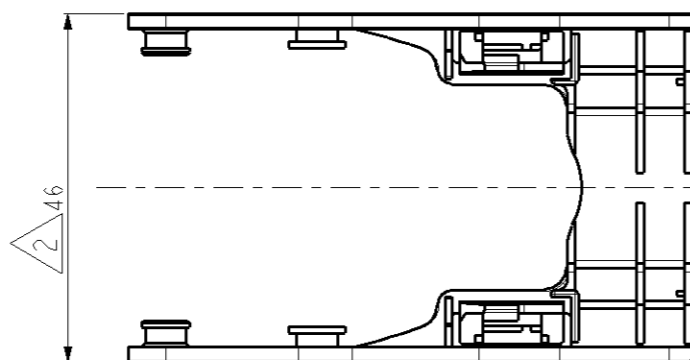
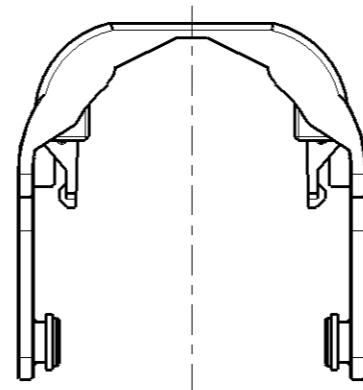
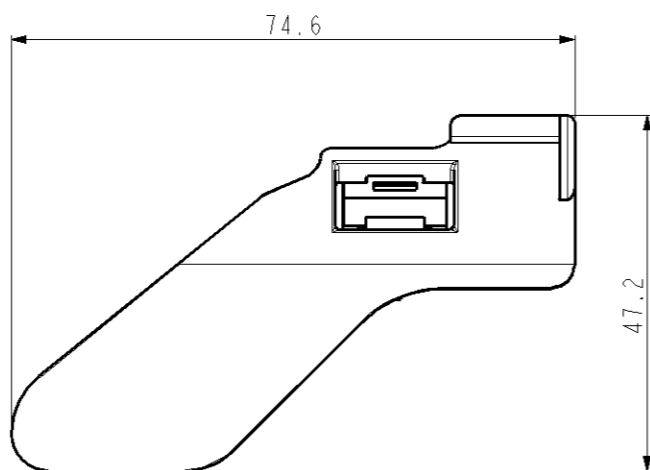
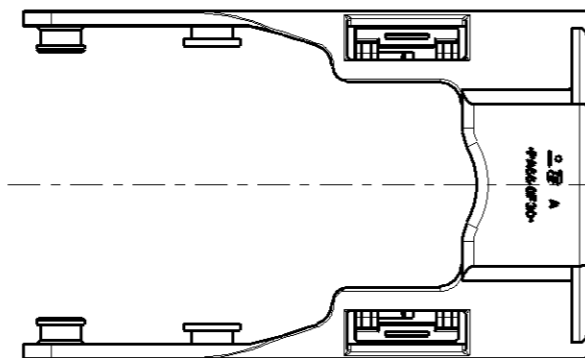
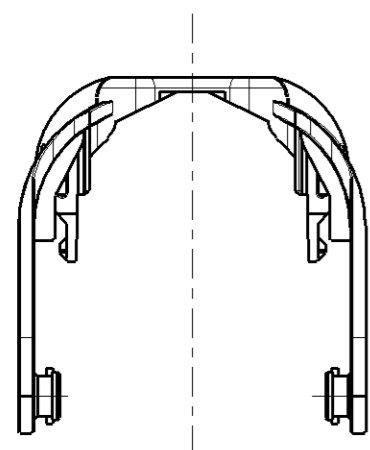
THIS DRAWING IS UNPUBLISHED.

RELEASED FOR PUBLICATION

20

© COPYRIGHT 20 BY TYCO ELECTRONICS CORPORATION. ALL RIGHTS RESERVED.

LOC	DIST	REVISIONS			
P	LTR	DESCRIPTION	DATE	DWN	APVD
DS	-				
	A	RELEASED	21APR08	YH	HG



3D VIEW SCALE 1:1

- NOTE
- 1. GENERAL TOLERANCE: ± 0.5 , $\pm 3^\circ$
 - 2. WARPAGE PERMITTED MAX. 6mm
 - 3. APPLICATION TEST SPEC: MS210-06-A2[EXT-2](EXCEPT 4.4)

BLACK	PA66-GF30	LEVER HSG	1897645-2
COLOR	MATERIAL	DESCRIPTION	P/N

<p>THIS DRAWING IS A CONTROLLED DOCUMENT FOR TYCO ELECTRONICS CORPORATION IT IS SUBJECT TO CHANGE AND THE CONTROLLING ENGINEERING ORGANIZATION SHOULD BE CONTACTED FOR THE LATEST REVISION.</p>		<p>DWN YH MA</p> <p>CHK YM CHOI</p> <p>APVD HG CHO</p>		<p>Tyco Electronics Tyco Electronics Kyungsan, Korea</p>	
<p>DIMENSIONS: mm</p>		<p>TOLERANCES UNLESS OTHERWISE SPECIFIED:</p> <p>0 PLC \pm</p> <p>1 PLC \pm</p> <p>2 PLC \pm</p> <p>3 PLC \pm</p> <p>4 PLC \pm</p> <p>ANGLES \pm</p> <p>FINISH -</p>		<p>NAME</p> <p>LEVER HSG FOR 60P</p>	
<p>MATERIAL SEE TABLE</p>		<p>PRODUCT SPEC</p> <p>APPLICATION SPEC</p> <p>WEIGHT</p>		<p>RESTRICTED TO</p>	
		<p>CUSTOMER DRAWING</p>		<p>SIZE A3 CAGE CODE 00779 DRAWING NO. C=1897645</p>	
				<p>SCALE 1:1 SHEET 1 OF 1 REV A</p>	

X-ON Electronics

Largest Supplier of Electrical and Electronic Components

Click to view similar products for [Headers & Wire Housings](#) category:

Click to view products by [TE Connectivity](#) manufacturer:

Other Similar products are found below :

[95000-104TRLF](#) [10135584-644402LF](#) [DF62W-EP2022PCA](#) [95000-106TRLF](#) [DF62W-2022SCA](#) [DF62W-EP2022PC](#) [2203348](#) [DF62W-2022SC](#) [1084018](#) [1029039](#) [1084017](#) [802-10-012-10-002000](#) [1112640](#) [1112639](#) [891-007-9SS-BST1T](#) [000-34000](#) [0008550134](#) [0009482033](#) [0009507031](#) [57102-F02-18ULF](#) [57102-S06-03LF](#) [57202-S52-04LF](#) [PCN6-15S-2.5E](#) [0039019024](#) [58102-G61-06LF](#) [582553-1](#) [0009485154](#) [0009508121](#) [0022285053](#) [0050291907](#) [018731A](#) [LY20-4P-DT1-P1E-BR](#) [02.125.8002.8](#) [60101931](#) [60598-1 \(Cut Strip\)](#) [M1625-3R/100](#) [61062-3](#) [61082-181009](#) [CSU011177004](#) [636-1427](#) [638009-1](#) [641938-9](#) [641991-4](#) [644168-1](#) [644827-2](#) [647662-1](#) [65039-019ELF](#) [65692-001LF](#) [65781-018](#) [65781-047](#)