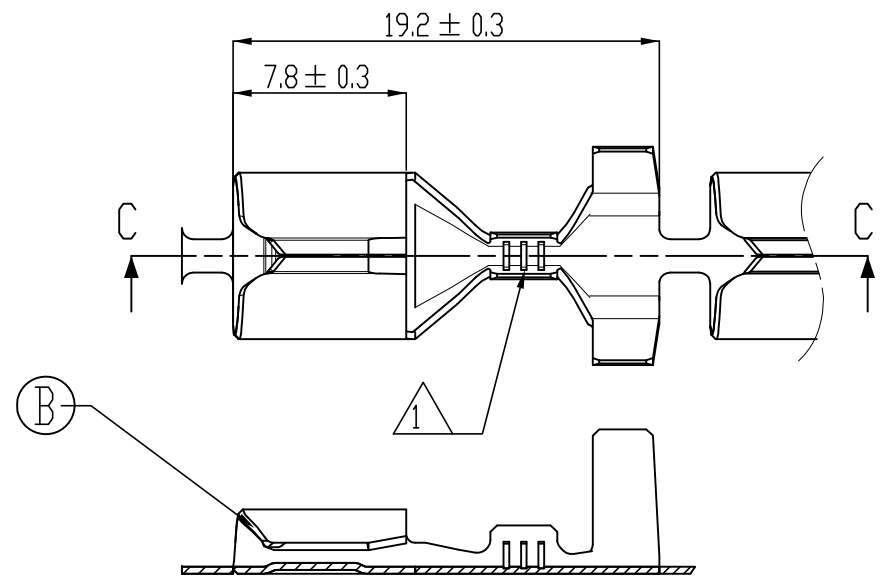
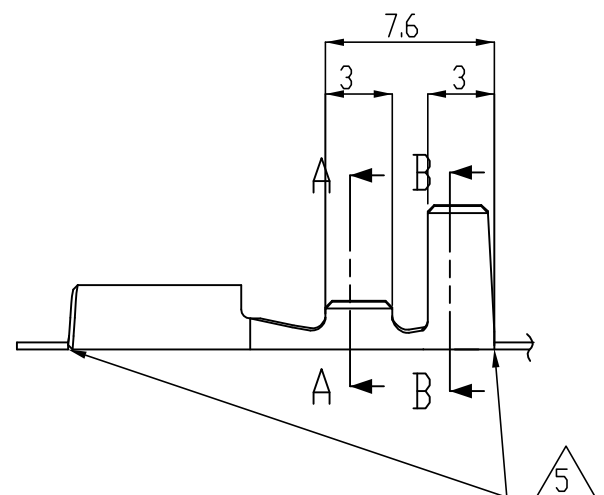


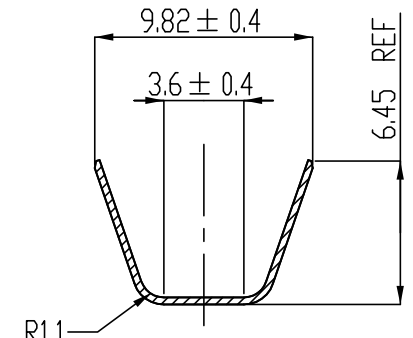
LOC		DIST		REVISIONS			
P	LTR	DESCRIPTION	DATE	DWN	APVD		
DS	-						
	A	RELEASE	09APR'09	SH	JK		
	B	REVISED (ECR-10-002760)	16MAR'10	SH	JK		



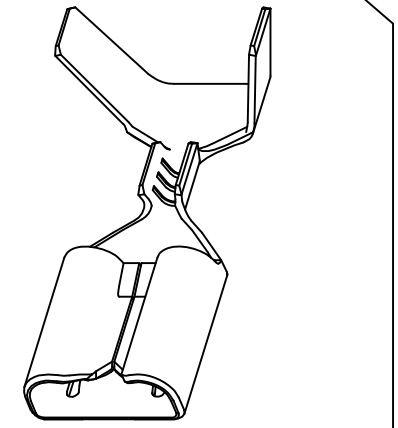
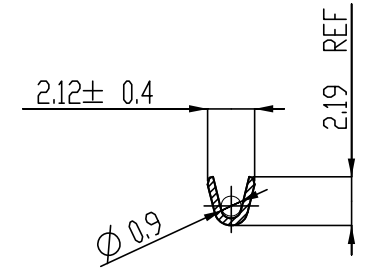
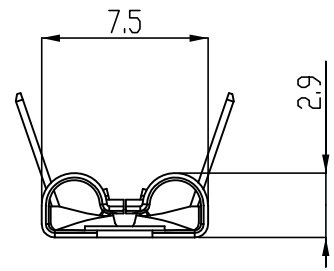
SECTION C-C



SECTION A-A



SECTION B-B



ISD VIEW  
SCALE 3:1

NOTES;

- △ THREE SERRATIONS WERE CENTERED IN WIRE BARREL
- 2. WIRE SIZE EQUIV AESSXF 0.3~ AEXF 0.5 sqmm
- 3. TOLERANCES UNLESS OTHERWISE SPECIFIED : ±0.2, ±3°
- 4. MUST BE REFERRED TO THE FOLLOWING TABLE 1 FOR CRIMPING OPERATION.
- △ 0.5 Max Cutoff Tab, with 0.15 Max Burr(Front and Rear)

<small>THIS DRAWING IS A CONTROLLED DOCUMENT FOR TYCO ELECTRONICS CORPORATION IT IS SUBJECT TO CHANGE AND THE CONTROLLING ENGINEERING ORGANIZATION SHOULD BE CONTACTED FOR THE LATEST REVISION.</small>	
DIMENSIONS: mm	TOLERANCES UNLESS OTHERWISE SPECIFIED: 0 PLC ± 1 PLC ±0.5 2 PLC ±0.13 3 PLC ±0.013 4 PLC ±0.0001 ANGLES ±
MATERIAL -	FINISH -

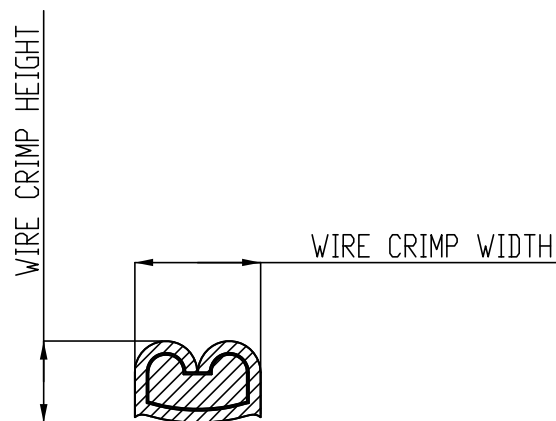
PRE-TINNED	CuNiSi Alloy 0.32THK	1897659-1
FINISH	MATERIAL	PART NUMBER
DWN SH LEE	Tyco Electronics Kyungsan, Korea.	250 SERIES FASTON RECEPTACLE
CHK KT LIM		
APVD JK SONG	NAME	
PRODUCT SPEC 108-61108	SIZE	RESTRICTED TO
APPLICATION SPEC 114-61026	CAGE CODE 00779	DRAWING NO ©=1897659
WEIGHT	SCALE 3:1	SHEET 1 OF 2
CUSTOMER DRAWING		REV B

THIS DRAWING IS UNPUBLISHED. RELEASED FOR PUBLICATION  
 © COPYRIGHT BY TYCO ELECTRONICS CORPORATION. ALL RIGHTS RESERVED.

LOC	DIST	REVISIONS					
		P	LTR	DESCRIPTION	DATE	DWN	APVD
DS							

TABLE 1

Wire Size(mm <sup>2</sup> )	Wire Strip Length	Wire Crimp				Insulation Crimp	
		Width	Height	Form	Area index(%)	Width	Form
AVSF,AVXF,AEXF 0.3(0.3054)	4.3	1.4	1.13 ± 0.03	F	75.29~84.87	7.0	F
AVSS,AVX,AEX 0.3(0.3716)							
AESSXF,AVSSF 0.3(0.382)							
TXL 0.35(0.324)							
FLR 0.35(0.4156)							
FLX,FLY 0.5(0.5027)			1.23 ± 0.03				
TXL,AVSF,AEXF 0.5(0.5089)							
AESSXF,FLR,AVSSF 0.5(0.5389)							
AVSS, AEX, CAVS 0.5(0.563)							



<small>THIS DRAWING IS A CONTROLLED DOCUMENT FOR TYCO ELECTRONICS CORPORATION          IT IS SUBJECT TO CHANGE AND THE CONTROLLING ENGINEERING ORGANIZATION          SHOULD BE CONTACTED FOR THE LATEST REVISION.</small>		DWN	Tyco Electronics Kyungsan, Korea.	
DIMENSIONS:		CHK	NAME	
	TOLERANCES UNLESS OTHERWISE SPECIFIED:	APVD	250 SERIES FASTON RECEPTACLE	
	0 PLC ±	PRODUCT SPEC	SIZE	CAGE CODE
	1 PLC ±	APPLICATION SPEC	DRAWING NO	RESTRICTED TO
	2 PLC ±		A3	© 1897659
3 PLC ±		CUSTOMER DRAWING		SCALE
4 PLC ±	ANGLES ±	SHEET 2 OF 2		REV B
MATERIAL	FINISH			

## X-ON Electronics

Largest Supplier of Electrical and Electronic Components

*Click to view similar products for [Terminals](#) category:*

*Click to view products by [TE Connectivity](#) manufacturer:*

Other Similar products are found below :

[00-054007-01074-6](#) [00-054007-70206-1](#) [00-054007-70210-8](#) [00-054007-70217-7](#) [00-054007-70228-3](#) [00-054007-70256-6](#) [00-054007-70316-7](#) [00-054007-49560-4](#) [00-054007-70209-2](#) [00-054007-70231-3](#) [00-054007-70241-2](#) [00-054007-70242-9](#) [00-054007-70246-7](#) [00-054007-70263-4](#) [00-054007-70288-7](#) [00-054007-70290-0](#) [00-054007-70300-6](#) [00-054007-70304-4](#) [01-2900-1-04412](#) [600TS-10](#) [605601-1](#) [60617-1-C](#) [61314-6-C](#) [61810-3](#) [626-0194](#) [63-S](#) [M55155/079C01](#) [M55155/099B03](#) [M55155/109H01](#) [M55155/29XJ08](#) [M55155/30-6S](#) [M55155/30-9S](#) [M55155/30XI09](#) [M6-14RSX](#) [696683-1](#) [696861-1](#) [696999-1](#) [M86700006](#) [D18-110B-C](#) [D18-110B-M](#) [701-1936](#) [701-1955](#) [701-2003](#) [701-2007](#) [701-2013](#) [701-2018](#) [701-2069](#) [701-2077-60](#) [701-2315](#) [701-2349](#)