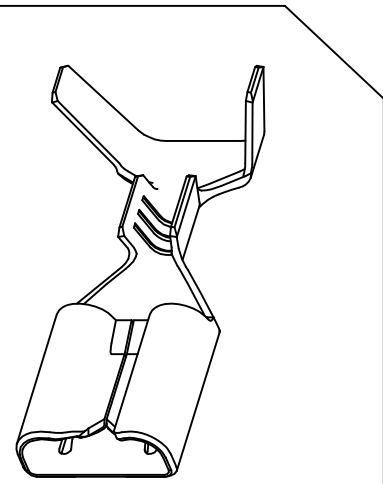
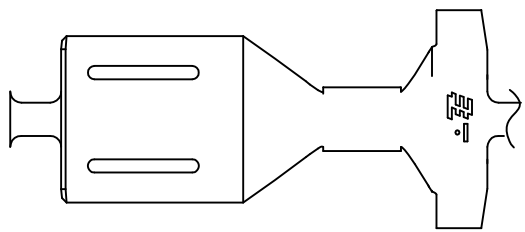
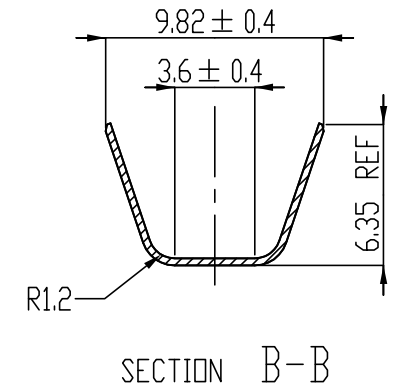
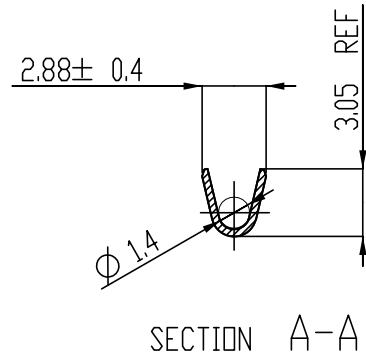
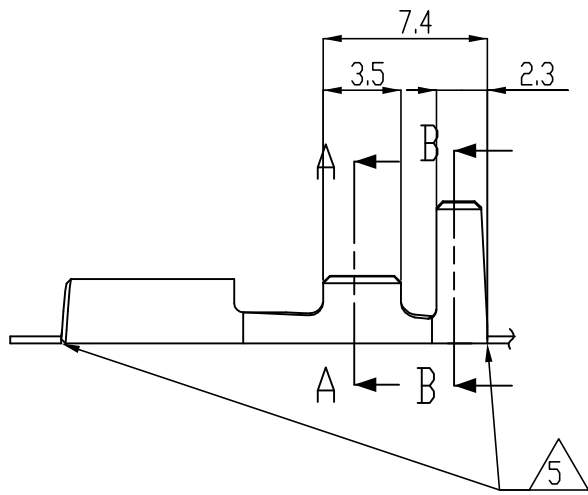
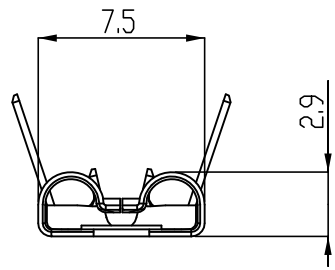
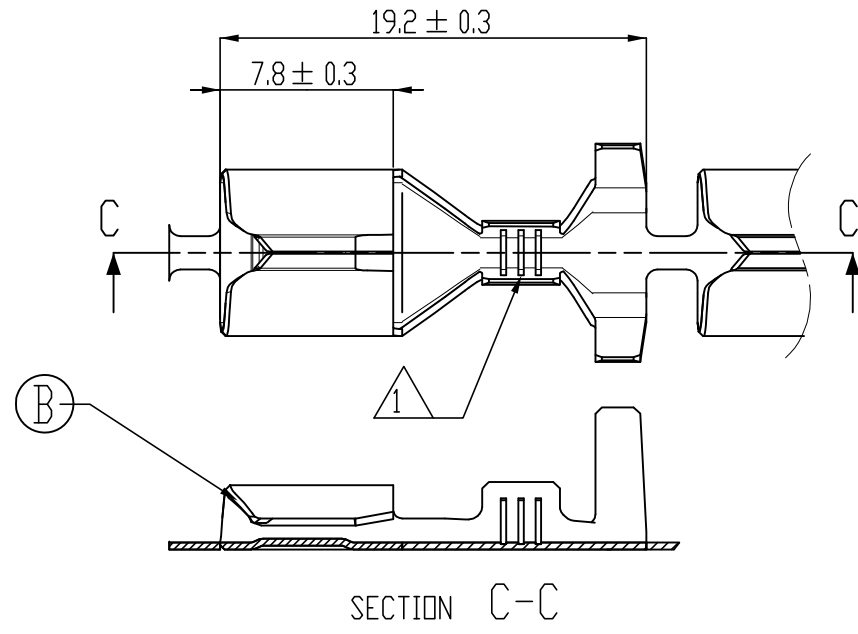


LOC	DIST	REVISIONS			
P	LTR	DESCRIPTION	DATE	DWN	APVD
DS	-				
	A	RELEASE	09APR'09	SH	JK
	B	REVISED (ECR-10-002760)	16MAR'10	SH	JK



ISO VIEW  
SCALE 3:1

NOTES;

- △ THREE SERRATIONS WERE CENTERED IN WIRE BARREL
- 2. WIRE SIZE EQUIV AESSXF 0.75~ AEXF 1.25 sqmm
- 3. TOLERANCES UNLESS OTHERWISE SPECIFIED : ±0.2, ±3°
- 4. MUST BE REFERRED TO THE FOLLOWING TABLE 1 FOR CRIMPING OPERATION.
- △ 0.5 Max Cutoff Tab, with 0.15 Max Burr(Front and Rear)

THIS DRAWING IS A CONTROLLED DOCUMENT FOR TYCO ELECTRONICS CORPORATION  
 IT IS SUBJECT TO CHANGE AND THE CONTROLLING ENGINEERING ORGANIZATION  
 SHOULD BE CONTACTED FOR THE LATEST REVISION.

DIMENSIONS: mm	TOLERANCES UNLESS OTHERWISE SPECIFIED:
	0 PLC ±
	1 PLC ±0.5
	2 PLC ±0.13
	3 PLC ±0.013
	4 PLC ±0.0001
	ANGLES ±
MATERIAL -	FINISH -

PRE-TINNED	CuNiSi Alloy 0.32THK	1897660-1
FINISH	MATERIAL	PART NUMBER
DWN SH LEE 09APR2009	Tyco Electronics Kyungsan, Korea.	NAME
CHK KT LIM		
APVD JK SONG	250 SERIES FASTON RECEPTACLE	
PRODUCT SPEC 108-61108	SIZE A3	CAGE CODE 00779
APPLICATION SPEC 114-61026	DRAWING NO ©=1897660	RESTRICTED TO -
WEIGHT	CUSTOMER DRAWING	
SCALE 3:1		SHEET 1 OF 2
		REV B

4

3

2

1

THIS DRAWING IS UNPUBLISHED. RELEASED FOR PUBLICATION

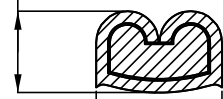
© COPYRIGHT BY TYCO ELECTRONICS CORPORATION. ALL RIGHTS RESERVED.

LOC	DIST	REVISIONS		
DS		P	LTR	DESCRIPTION
				DATE
				DWN
				APVD

TABLE 1

Wire Size(mm <sup>2</sup> )	Wire Strip Length	Wire Crimp				Insulation Crimp	
		Width	Height	Form	Area index(%)	Width	Form
FLX,FLY 0.75(0.754)	4.8	2.29	1.22 ± 0.03	F	76.76~82.89	7.0	F
AVSF,AVXF,AEXF 0.75(0.7634)							
AESSXF 0.75(0.789)							
FLR,FLK 0.75(0.8313)							
TXL 0.8(0.760)							
SAE-TS-XLPE 0.8(0.7757)							
AVS 0.8(0.8042)							
AVSS,AVSSF 0.85(0.8597)			1.26 ± 0.03				
AVSF,AVXF,AEXF 0.85(0.8652)							
AVS,AEX,CAVS 0.85(0.8847)							
FLY,FLX 1.0(1.0053)							
AVS 1.0(1.045)			1.32 ± 0.03				
FLR,FLK 1.0(1.1084)							
TXL 1.0(1.13)							
AVSS 1.25(1.255)					1.39 ± 0.03		
AVSF,AVXF,AEXF 1.25(1.272)							
AESSXF 1.25(1.282)							
AVSSF,AEX,CAVS 1.25(1.286)							

WIRE CRIMP HEIGHT



WIRE CRIMP WIDTH

SECTION A-A

THIS DRAWING IS A CONTROLLED DOCUMENT FOR TYCO ELECTRONICS CORPORATION IT IS SUBJECT TO CHANGE AND THE CONTROLLING ENGINEERING ORGANIZATION SHOULD BE CONTACTED FOR THE LATEST REVISION.		DWN	Tyco Electronics Tyco Electronics Kyungsan, Korea.		
DIMENSIONS:	TOLERANCES UNLESS OTHERWISE SPECIFIED:	CHK	NAME		
	0 PLC ±	SEE SHEET 1 OF 2	250 SERIES FASTON RECEPTACLE		
	1 PLC ±		SIZE	CAGE CODE	DRAWING NO
	2 PLC ±		A3		1897660
	3 PLC ±		RESTRICTED TO		
4 PL ±	FINISH	WEIGHT	SCALE		
MATERIAL		CUSTOMER DRAWING	SHEET 2 OF 2	REV B	

## X-ON Electronics

Largest Supplier of Electrical and Electronic Components

*Click to view similar products for [Terminals](#) category:*

*Click to view products by [TE Connectivity](#) manufacturer:*

Other Similar products are found below :

[00-054007-01074-6](#) [00-054007-70206-1](#) [00-054007-70210-8](#) [00-054007-70217-7](#) [00-054007-70228-3](#) [00-054007-70256-6](#) [00-054007-70316-7](#) [00-054007-49560-4](#) [00-054007-70209-2](#) [00-054007-70231-3](#) [00-054007-70241-2](#) [00-054007-70242-9](#) [00-054007-70246-7](#) [00-054007-70263-4](#) [00-054007-70288-7](#) [00-054007-70290-0](#) [00-054007-70300-6](#) [00-054007-70304-4](#) [01-2900-1-04412](#) [600TS-10](#) [605601-1](#) [60617-1-C](#) [61314-6-C](#) [61810-3](#) [626-0194](#) [63-S](#) [M55155/079C01](#) [M55155/099B03](#) [M55155/109H01](#) [M55155/29XJ08](#) [M55155/30-6S](#) [M55155/30-9S](#) [M55155/30XI09](#) [M6-14RSX](#) [696683-1](#) [696861-1](#) [696999-1](#) [M86700006](#) [D18-110B-C](#) [D18-110B-M](#) [701-1936](#) [701-1955](#) [701-2003](#) [701-2007](#) [701-2013](#) [701-2018](#) [701-2069](#) [701-2077-60](#) [701-2315](#) [701-2349](#)