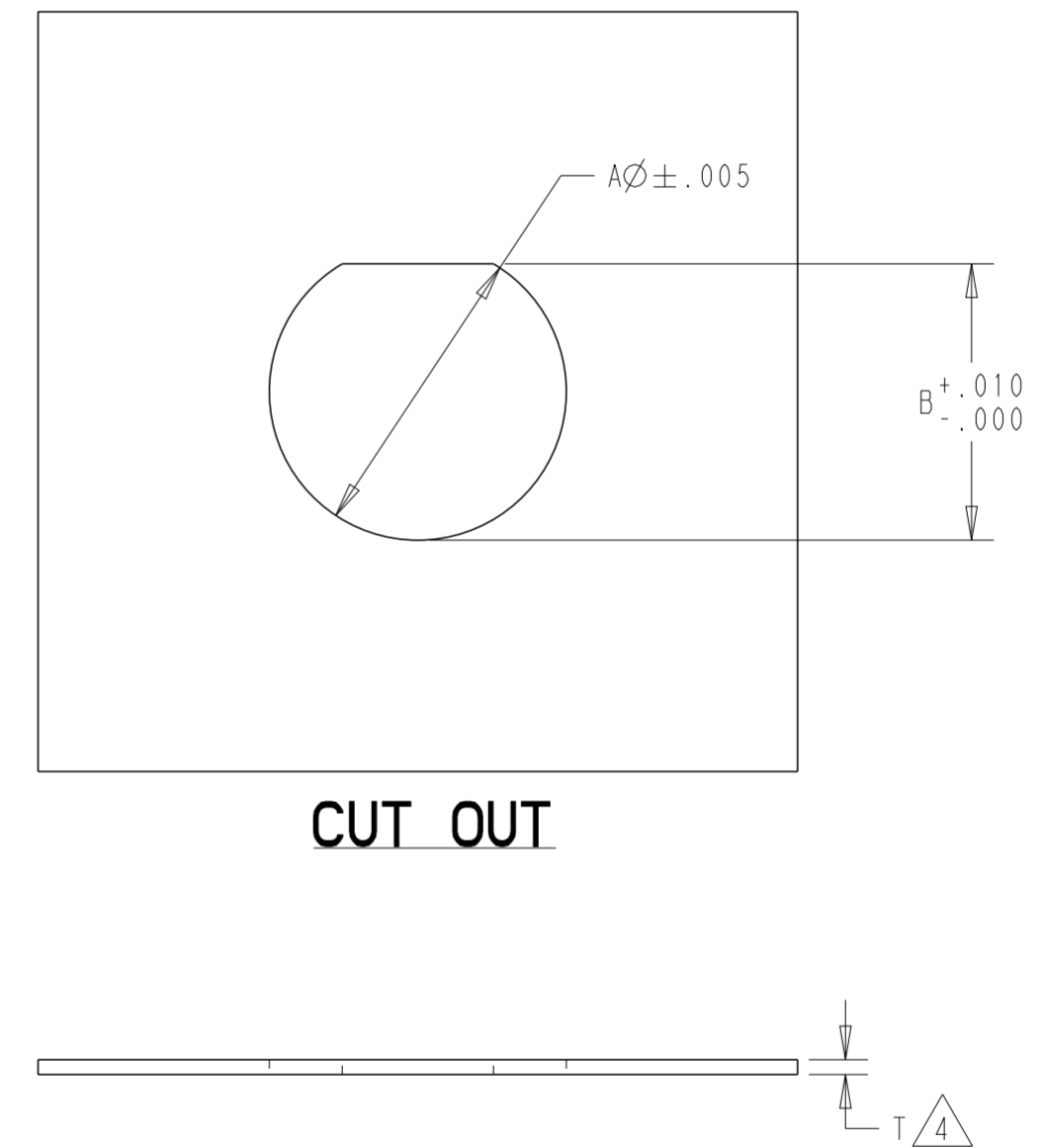
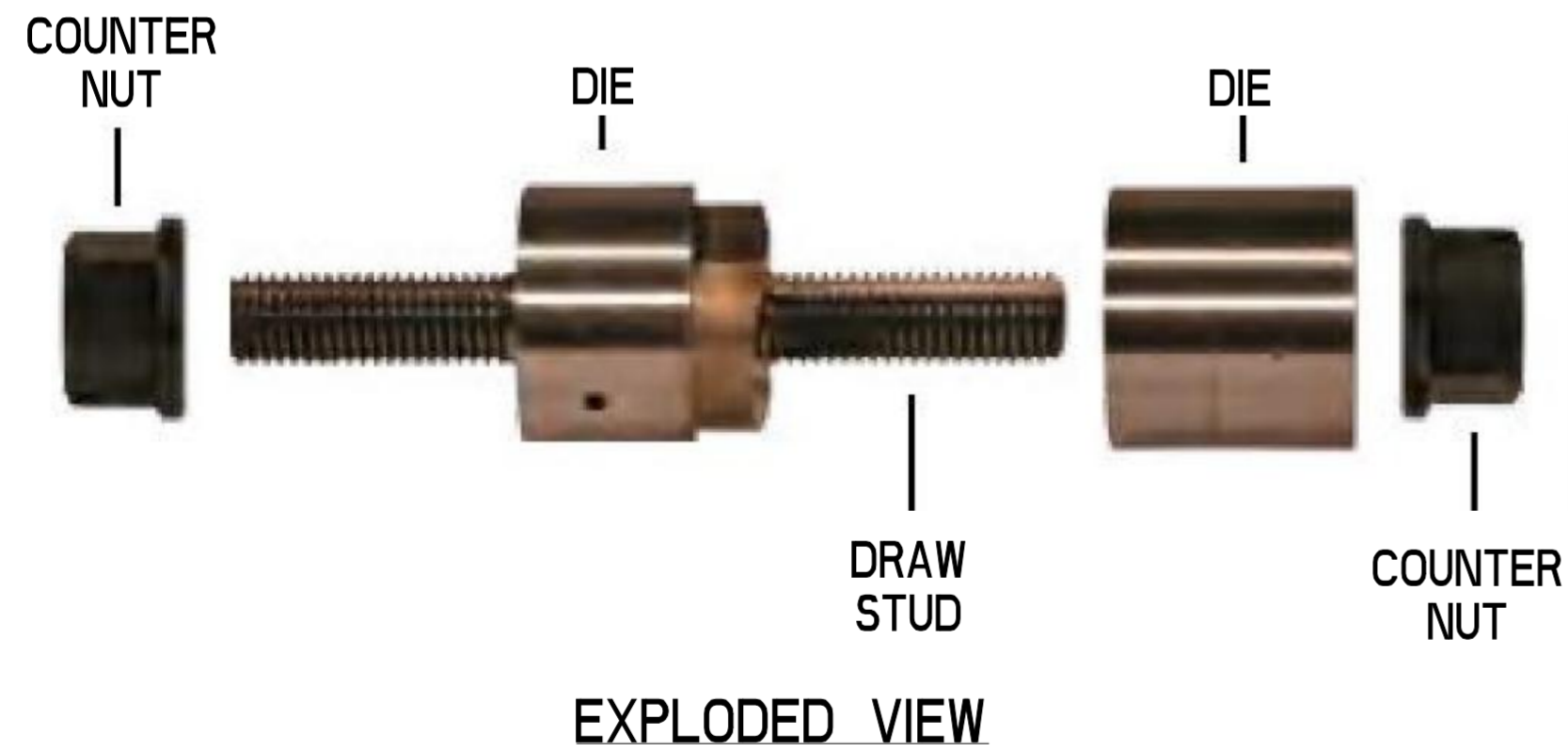


REVISIONS					
P	LTR	DESCRIPTION	DATE	DWN	APVD
	A	INITIAL RELEASE	1 JUL 2020	AP	IG



6. TOOL MATERIAL: A2 MATERIAL HEAT TREATED TO A ROCKWELL HARDNESS OF 60 TO 62
5. THE RODS INCLUDED WITH THE "D" PUNCH HOLE ARE USED TO REMOVE THE CUTOUT AND NOT USED IN THE CUTTING PROCESS.
4. PUNCHABLE MATERIAL: MILD STEEL OR ALUMINIUM: T = UP TO .078"  
 PLASTIC, WOOD, PANELING OR OTHER SOFT MATERIAL: T = UP TO .1875"
3. THE TOOL CAN BE SHARPENED IF NEEDED.
2. TOOL SIZE (ROUGH DIMENSIONS): 5.5"L x 2"H x 2"D
1. USABILITY: A .625" MINIMUM PILOT HOLE IS REQUIRED TO ACCOMMODATE THE DRAW STUD.  
 AIR TOOLS CAN BE USED.

NOTES:

RECOMMENDED SIZE OF MOUNTING HOLE			ORDERING INFORMATION	
SHELL SIZE	A $\phi$	B	PART NUMBER	SHELL SIZE
18	1.507	1.442	18-D-PUNCH	18 SHELL
24	1.696	1.632	24-D-PUNCH	24 SHELL

THIS DRAWING IS A CONTROLLED DOCUMENT.		DWN A POLO 1 JUL 2020	TE Connectivity		
DIMENSIONS: INCHES		CHK I GRANICHAROVA 1 JUL 2020			
TOLERANCES UNLESS OTHERWISE SPECIFIED:		APVD I GRANICHAROVA 1 JUL 2020	NAME D-HOLE PUNCH SIZE 24 AND SIZE 18		
0 PLC $\pm$ 1 PLC $\pm$ 2 PLC $\pm$ 3 PLC $\pm .025$ 4 PLC $\pm$ ANGLES $\pm$ FINISH		PRODUCT SPEC	RESTRICTED TO		
MATERIAL		APPLICATION SPEC	SIZE A2	CAGE CODE 00779	DRAWING NO. C-18-24-D-PUNCH
		WEIGHT 1274 G	SCALE 1:1		
		CUSTOMER DRAWING	SHEET 1 OF 1	REV A	

## X-ON Electronics

Largest Supplier of Electrical and Electronic Components

*Click to view similar products for [Automotive Connectors](#) category:*

*Click to view products by [TE Connectivity](#) manufacturer:*

Other Similar products are found below :

[003-018-000](#) [60403001](#) [60993906-B](#) [M902-2131](#) [M902-2161](#) [M902-2344](#) [72.330.1035.1](#) [73.353.4028.0](#) [F119300-B](#) [F166900](#) [F258300-B](#)  
[F358300-B](#) [F407400](#) [F444110](#) [F487000](#) [F509500B-B](#) [827153-1](#) [8N1515-32-24P](#) [9-1326729-8](#) [925474-1](#) [928905-1](#) [964562-4](#) [968782-1](#)  
[GT17SA-8DS-HU](#) [98891-1012](#) [98947-1016](#) [12004147](#) [12004475-L](#) [12010290](#) [12010309-B](#) [12015454](#) [12020219-B](#) [12041318-B](#) [12052225-](#)  
[L](#) [12052466](#) [12064869](#) [12004327-B](#) [12015308](#) [12015384](#) [12015909](#) [1-21030-1](#) [12041254](#) [12041318](#) [12047946-B](#) [12047957](#) [12047957-L](#)  
[12059473](#) [12066261](#) [12110546](#) [12110546-B](#)