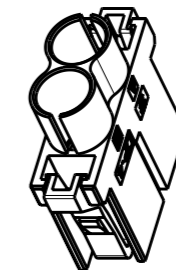
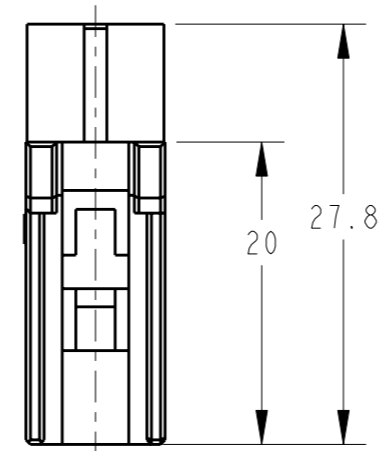


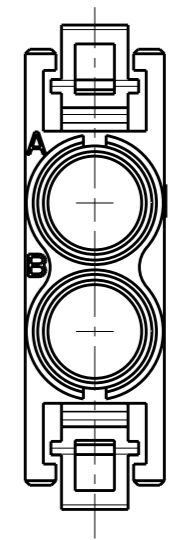
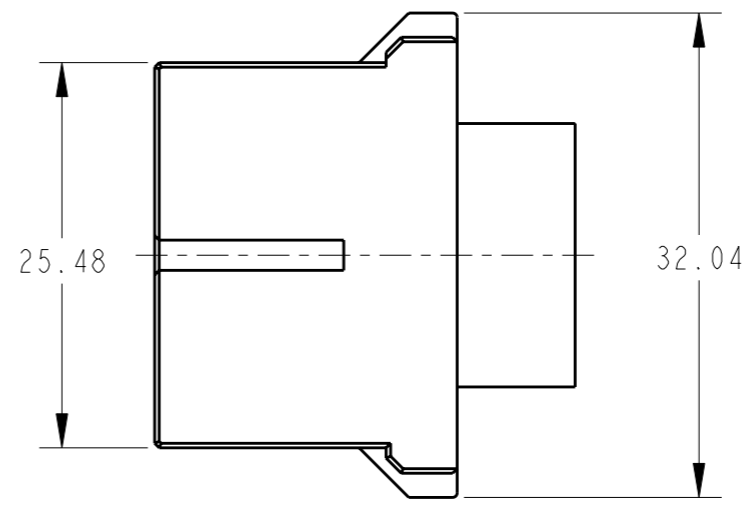
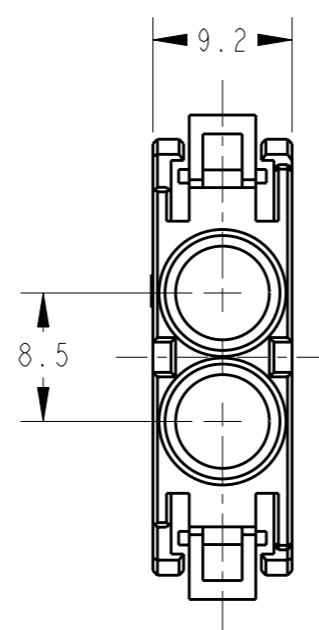
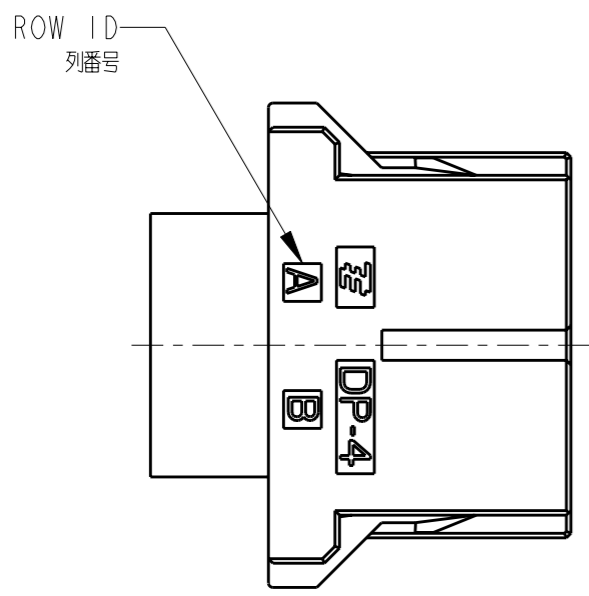
THIS DRAWING IS UNPUBLISHED. RELEASED FOR PUBLICATION 20
 © COPYRIGHT 20 BY TYCO ELECTRONICS CORPORATION. ALL RIGHTS RESERVED.

LOC	DIST	REVISIONS				
P	LTR	DESCRIPTION	DATE	DWN	APVD	
J	-	B	REVISED PER ECR-10-013235	09JUL2010	HMR	TM

AS SHOWN:1903105-1



スケール 1:1



- 注記
1. 材料:ハウジング:ガラス入り熱可塑性(94V-0)、色:黒
 2. 嵌合コンタクト:オスコンタクト:P/No:1903100-1
:メスコンタクト:P/No:1903289-1
 3. 嵌合ハウジング:キャップハウジング2P:P/No:1903305-1
:キャップハウジング8P:P/No:1903106-1

- NOTE
1. MATERIAL:HOUSING:GLASS FILED THERMO PLASTIC POLYESTER(94V-0)
COLOR:BLACK
 2. MATE CONTACT:MALE CONTACT P/No:1903100-1
:FEMALE CONTACT P/No:1903289-1
 3. MATE HSG:CAP HSG 2P:P/No:1903305-1
:CAP HSG 8P:P/No:1903106-1

THIS DRAWING IS A CONTROLLED DOCUMENT FOR TYCO ELECTRONICS CORPORATION IT IS SUBJECT TO CHANGE AND THE CONTROLLING ENGINEERING ORGANIZATION SHOULD BE CONTACTED FOR THE LATEST REVISION.		DWN T. Sakamoto 27OCT2006	Tyco Electronics AMP K.K. Kawasaki, Japan	
DIMENSIONS: mm		CHK D. Mitsugi 27OCT2006	NAME	
TOLERANCES UNLESS OTHERWISE SPECIFIED: 0 PLC ± ±0.4 1 PLC ± ±1° 2 PLC ± ±1° 3 PLC ± ±1° 4 PLC ± ±1° ANGLES ± ±		APVD D. Mitsugi 27OCT2006	PLUG HSG 2P PNEUMATIC CONNECTOR	
MATERIAL -		PRODUCT SPEC 108-78406	SIZE A3	RESTRICTED TO
FINISH -		APPLICATION SPEC -	CAGE CODE 00779	DRAWING NO C-1903105
CUSTOMER DRAWING		WEIGHT -	SCALE 2:1	SHEET 1 OF 1 REV B

X-ON Electronics

Largest Supplier of Electrical and Electronic Components

Click to view similar products for [Headers & Wire Housings](#) category:

Click to view products by [TE Connectivity](#) manufacturer:

Other Similar products are found below :

[892-18-020-10-001101](#) [58102-G61-06LF](#) [582553-1](#) [0009485154](#) [009176003701906](#) [0050291907](#) [LY20-4P-DT1-P1E-BR](#) [02.125.8002.8](#)
[609-3404](#) [61062-3](#) [61082-181009](#) [622-3653LF](#) [63453-116](#) [636-1030](#) [636-1427](#) [636-3427](#) [636-4007](#) [641938-9](#) [641991-4](#) [644827-2](#) [65817-](#)
[010LF](#) [65817-015LF](#) [65863-015LF](#) [66207-023LF](#) [67095-007LF](#) [67601157](#) [68645-018](#) [68648-049](#) [70.362.1628.0](#) [70-4210](#) [70-4226B](#) [70-](#)
[4853B](#) [707-5020](#) [707-5028](#) [71.350.2428.0](#) [71918-208LF](#) [71961-016LF](#) [733-134](#) [733-162](#) [754199-000](#) [760-3052](#) [79531-3000](#) [FCN-](#)
[360C032-B](#) [FCN-367T-T012/H](#) [FCN-723D010/2](#) [80.063.4001.1](#) [800-90-001-10-001000](#) [800-90-010-10-002000](#) [801-43-002-10-013000](#)
[801-43-006-10-002000](#)