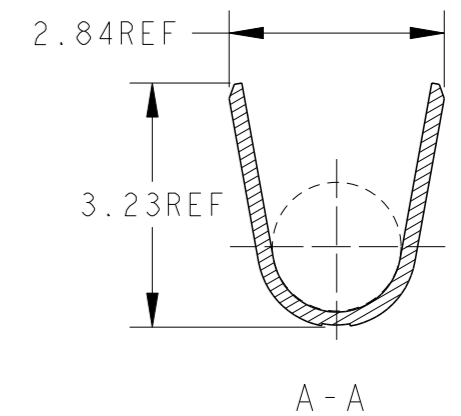
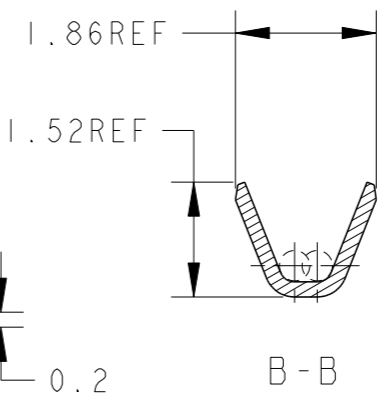
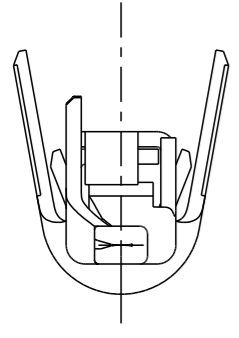
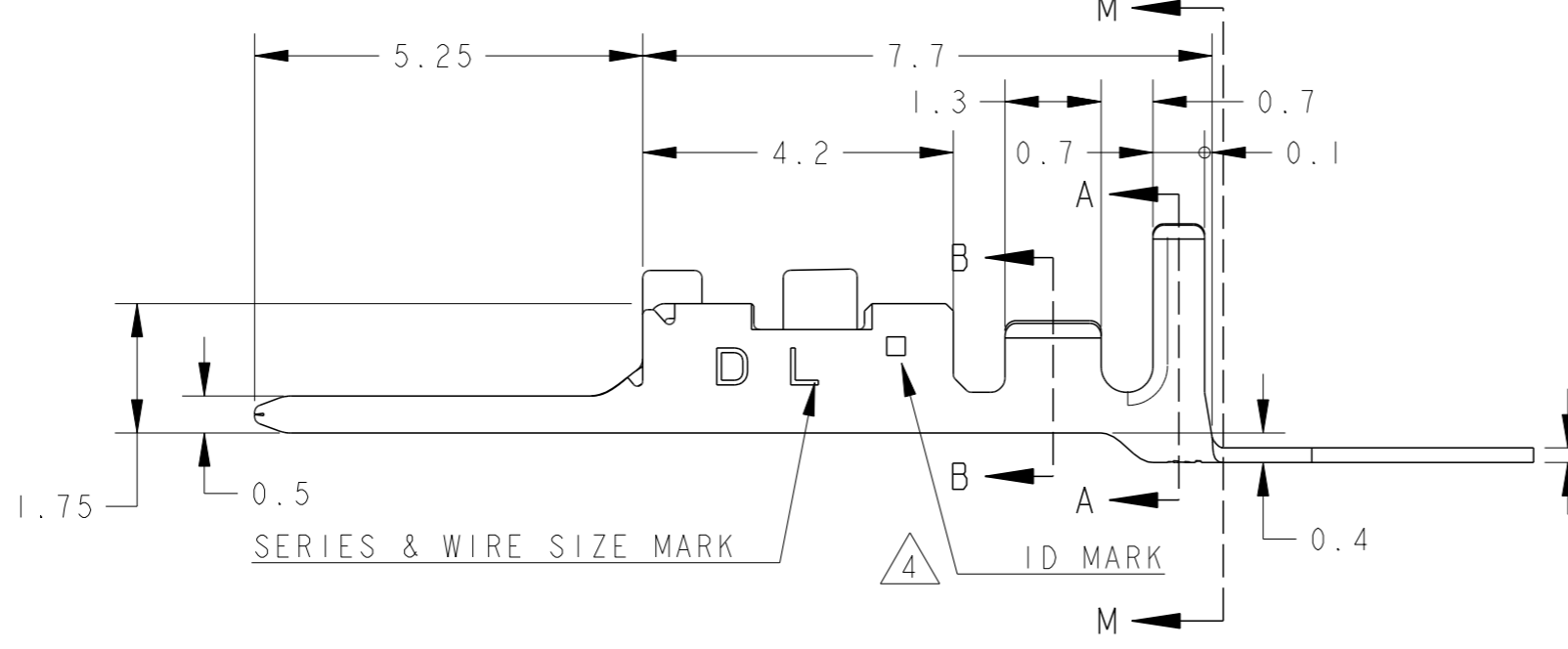
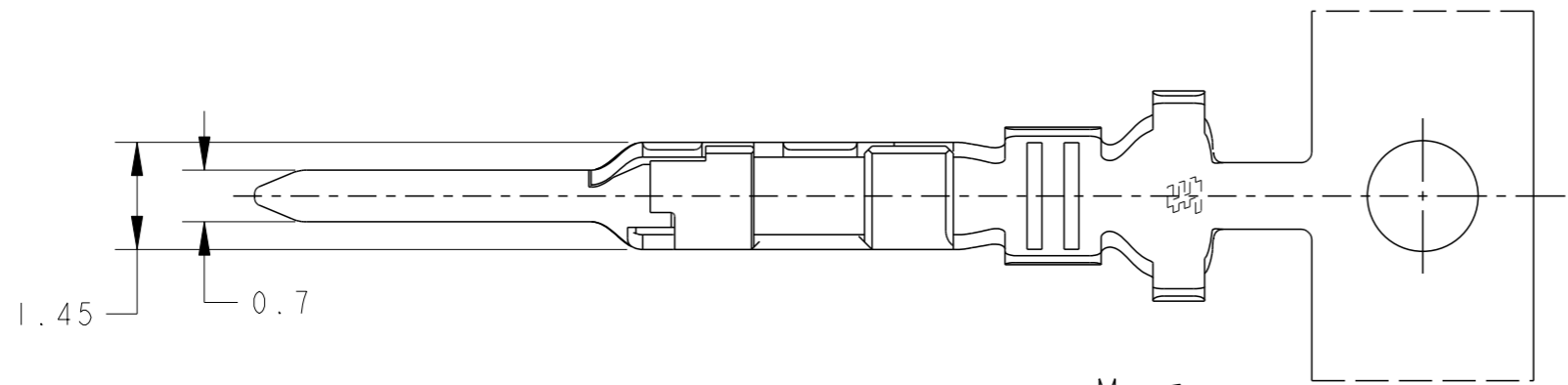
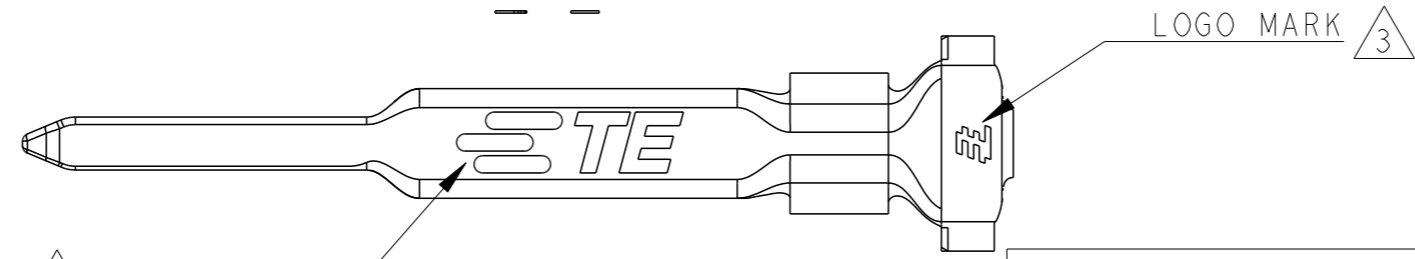


REVISIONS					
P	LTR	DESCRIPTION	DATE	DWN	APVD
	C	REVISED PER ECR-19-016494	24OCT2019	F.Z	R.B



1.75 0.5 SERIES & WIRE SIZE MARK ID MARK



LOGO MARK 3

SECTION M-M

LOGO MARK 3 LOGO MARK 3 AS SHOWN: 1903113-2	
COPPER ALLOY: FINISH; CONTACT AREA Au 0.38umMIN, OVER Ni 1.27umMIN	1903113-2
MATERIAL	PART NO

1. APPLICATION TAB-HSG IS APPLIED TO THE PRODUCT OF 2.5mm PITCH OR MORE OF DYNAMIC D1000 SERIES. 2.0mm PITCH CANNOT BE USED.

2. THE SHAPE, SIZE AND POSITION OF THE CHARACTER SHOW THE OUTLINE. THEY DON'T SHOW DETAILS.

3. ALTERNATIVE LOGO MARK FOR DIFFERENT DIE.

4. ALTERNATIVE ID MARK, WITH "■" OR NO MARK.

THIS DRAWING IS A CONTROLLED DOCUMENT.

DIMENSIONS:	TOLERANCES UNLESS OTHERWISE SPECIFIED:
mm	±0.3, ±3°
	0 PLC ±
	1 PLC ±
	2 PLC ±
	3 PLC ±
	4 PLC ±
	ANGLES ±
MATERIAL	FINISH
1	1

DWN	M. MAEBASHI	11APR2006
CHK	T. KUDO	11APR2006
APVD	D. MITSUGI	11APR2006
PRODUCT SPEC	108-78268	
APPLICATION SPEC	114-5377	
WEIGHT	0.128 g	

WIRE RANGE	AWG#28-#22	INSULATION DIA	
mm²	0.08~0.38	Ø	1.08~Ø1.9
		TE Connectivity	
NAME			
DYNAMIC D1000 SERIES			
TAB CONTACT Au L-TYPE REEL			
SIZE	CAGE CODE	DRAWING NO	RESTRICTED TO
A3	00779	C=1903113	
CUSTOMER DRAWING		SCALE	10:1
		SHEET	1 OF 1
		REV	C

X-ON Electronics

Largest Supplier of Electrical and Electronic Components

Click to view similar products for [Headers & Wire Housings](#) category:

Click to view products by [TE Connectivity](#) manufacturer:

Other Similar products are found below :

[892-18-020-10-001101](#) [58102-G61-06LF](#) [582553-1](#) [0009485154](#) [009176003701906](#) [0050291907](#) [LY20-4P-DT1-P1E-BR](#) [02.125.8002.8](#)
[609-3404](#) [61062-3](#) [61082-181009](#) [622-3653LF](#) [63453-116](#) [636-1030](#) [636-1427](#) [636-3427](#) [636-4007](#) [641938-9](#) [641991-4](#) [644827-2](#) [65817-](#)
[010LF](#) [65817-015LF](#) [65863-015LF](#) [66207-023LF](#) [67095-007LF](#) [67601157](#) [68645-018](#) [68648-049](#) [70.362.1628.0](#) [70-4210](#) [70-4226B](#) [70-](#)
[4853B](#) [707-5020](#) [707-5028](#) [71.350.2428.0](#) [71918-208LF](#) [71961-016LF](#) [733-134](#) [733-162](#) [754199-000](#) [760-3052](#) [79531-3000](#) [FCN-](#)
[360C032-B](#) [FCN-367T-T012/H](#) [FCN-723D010/2](#) [80.063.4001.1](#) [800-90-001-10-001000](#) [800-90-010-10-002000](#) [801-43-002-10-013000](#)
[801-43-006-10-002000](#)