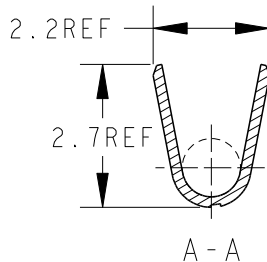
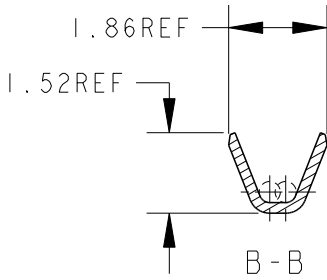
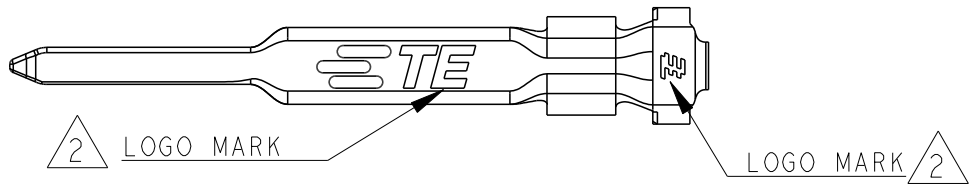
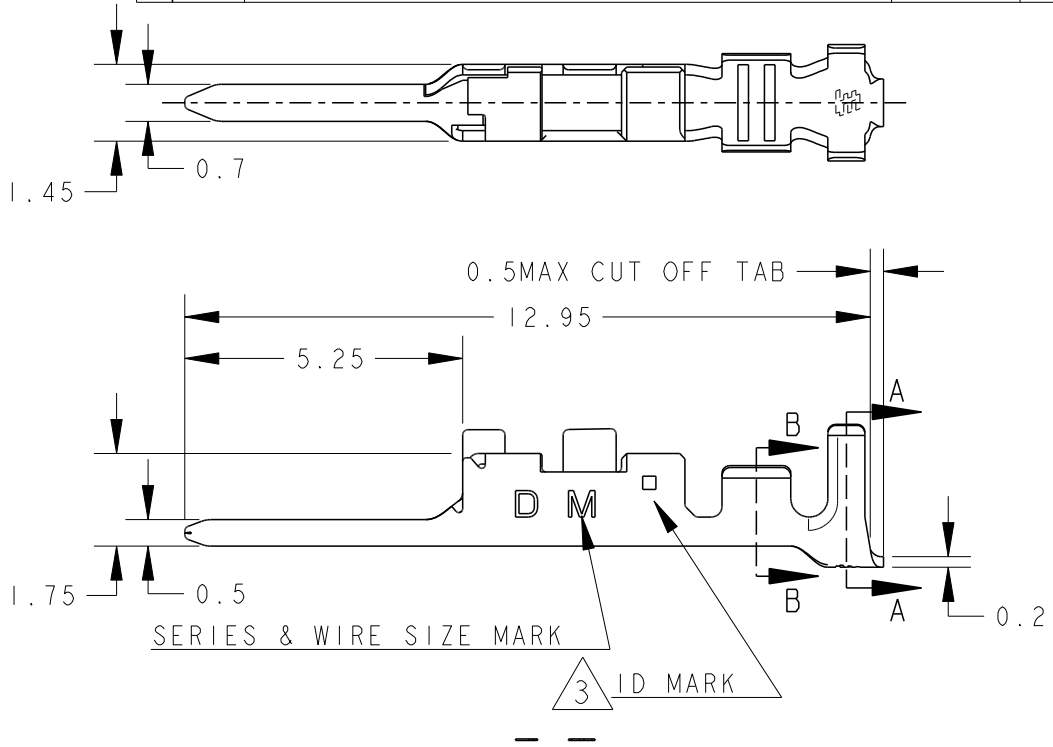


REVISIONS					
P	LTR	DESCRIPTION	DATE	DWN	APVD
	C	REVISED PER ECR-19-016494	24OCT2019	F.Z	R.B



1. THE SHAPE, SIZE AND POSITION OF THE CHARACTER SHOW THE OUTLINE. THEY DON'T SHOW DETAILS.
2. ALTERNATIVE LOGO MARK FOR DIFFERENT DIE.
3. ALTERNATIVE ID MARK, WITH "■" OR NO MARK.

AS SHOWN: 1903116-2

1	COPPER ALLOY: FINISH; CONTACT AREA Au 0.38umMIN, OVER Ni 1.27umMIN	1903116-2
	MATERIAL	PART NO

© 2019 TE Connectivity. All Rights Reserved.

DIMENSIONS:	
mm	
TOLERANCES UNLESS OTHERWISE SPECIFIED:	
± 0.3, ± 3°	
0 PLC	±
1 PLC	±
2 PLC	±
3 PLC	±
4 PLC	±
ANGLES	±

DWN	M. MAEBASHI	11APR2006
CHK	T. KUDO	11APR2006
APVD	D. MITSUGI	11APR2006
PRODUCT SPEC	108-78268	
APPLICATION SPEC	114-5377	
WEIGHT	0.075 g	

WIRE RANGE	AWG#28-#22	INSULATION DIA	Ø 1.08 ~ Ø 1.6
mm ²	0.08 ~ 0.38	FINISH	1
MATERIAL	1	TE Connectivity	
NAME DYNAMIC D1000 SERIES TAB CONTACT Au, M-TYPE L/P			
SIZE	CAGE CODE	DRAWING NO	RESTRICTED TO
A4	00779	C-1903116	
CUSTOMER DRAWING		SCALE	7:1
		SHEET	1 OF 1
		REV	C

X-ON Electronics

Largest Supplier of Electrical and Electronic Components

Click to view similar products for [Headers & Wire Housings](#) category:

Click to view products by [TE Connectivity](#) manufacturer:

Other Similar products are found below :

[892-18-020-10-001101](#) [58102-G61-06LF](#) [582553-1](#) [0009485154](#) [009176003701906](#) [0050291907](#) [LY20-4P-DT1-P1E-BR](#) [02.125.8002.8](#)
[609-3404](#) [61062-3](#) [61082-181009](#) [622-3653LF](#) [63453-116](#) [636-1030](#) [636-1427](#) [636-3427](#) [636-4007](#) [641938-9](#) [641991-4](#) [644827-2](#) [65817-010LF](#) [65817-015LF](#) [65863-015LF](#) [66207-023LF](#) [67095-007LF](#) [67601157](#) [68645-018](#) [68648-049](#) [70.362.1628.0](#) [70-4210](#) [70-4226B](#) [70-4853B](#) [707-5020](#) [707-5028](#) [71.350.2428.0](#) [71918-208LF](#) [71961-016LF](#) [733-134](#) [733-162](#) [754199-000](#) [760-3052](#) [787-8014-00](#) [79531-3000](#)
[FCN-360C032-B](#) [FCN-367T-T012/H](#) [FCN-723D010/2](#) [80.063.4001.1](#) [800-90-001-10-001000](#) [800-90-010-10-002000](#) [801-43-002-10-013000](#)