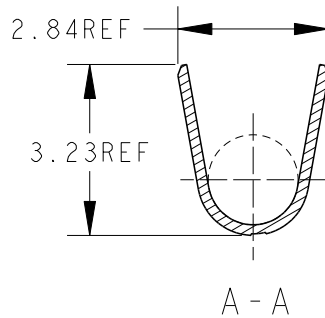
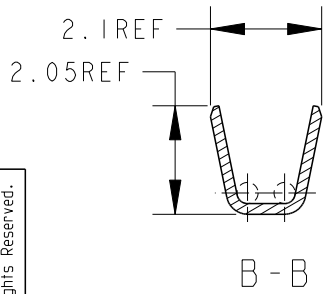
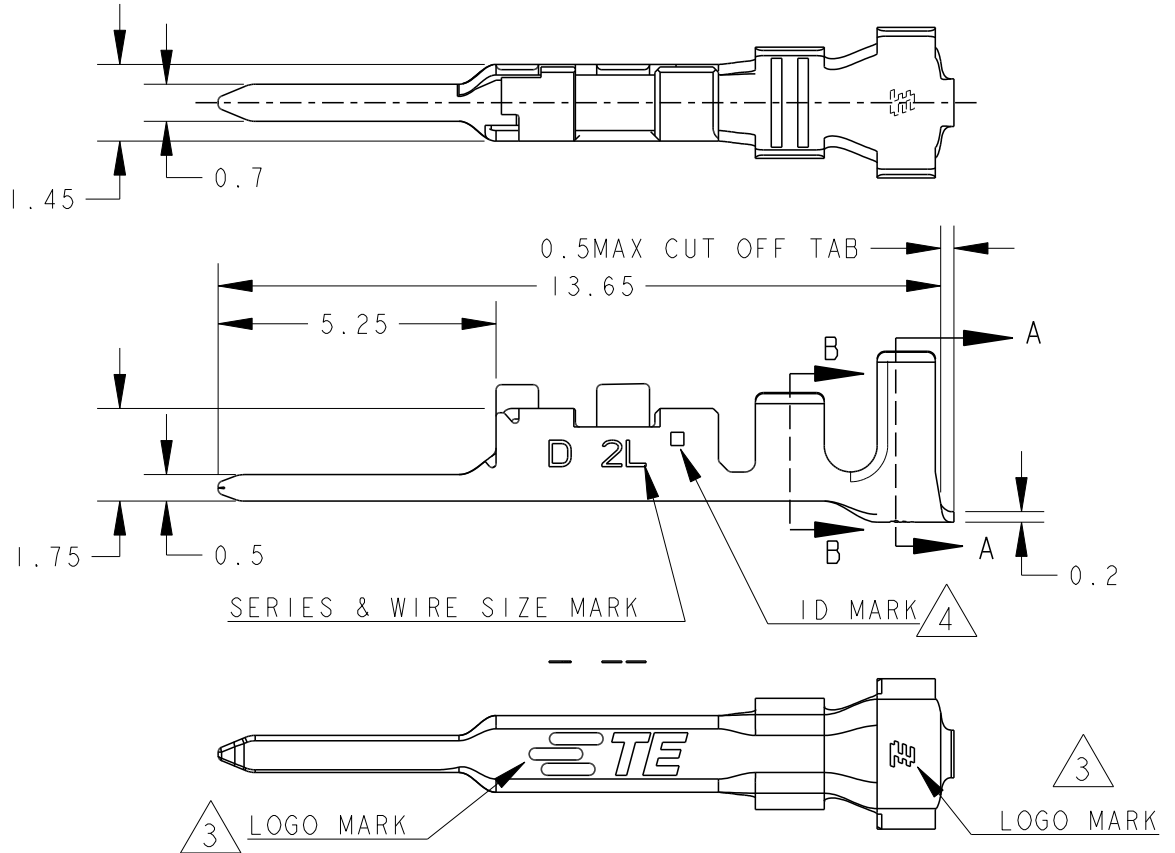


| REVISIONS | | | | | |
|-----------|-----|---------------------------|-----------|-----|------|
| P | LTR | DESCRIPTION | DATE | DWN | APVD |
| | C | RIVISED PER ECR-19-016494 | 24OCT2019 | F.Z | R.B |
| | | | | | |
| | | | | | |



1. APPLICATION TAB-HSG IS APPLIED TO THE PRODUCT OF 2.5mm PITCH OR MORE OF DYNAMIC D1000 SERIES. 2.0mm PITCH CANNOT BE USED.
 2. THE SHAPE, SIZE AND POSITION OF THE CHARACTER SHOW THE OUTLINE. THEY DON'T SHOW DETAILS.
- 3 ALTERNATIVE LOGO MARK FOR DIFFERENT DIE.
4 ALTERNATIVE ID MARK, WITH "□" OR NO MARK.

AS SHOWN: 1903118-2

| | |
|---|-----------|
| 1 COPPER ALLOY: FINISH; CONTACT AREA Au 0.38umMIN, OVER Ni 1.27umMIN | 1903118-2 |
| MATERIAL | PART NO |

© 2019 TE Connectivity. All Rights Reserved.

| | | | | |
|---|---------------------------|------------------------------|---------------------------------------|-----------------------------|
| DIMENSIONS: mm | DWN M. MAEBASHI | 11APR2006 | WIRE RANGE AWG#22-#18 | INSULATION DIA Ø1.4~Ø2.2 |
| | CHK T. KUDO | 11APR2006 | MATERIAL mm ² 0.34~0.86 | FINISH |
| TOLERANCES UNLESS OTHERWISE SPECIFIED: ±0.3, ±3° | APVD D. MITSUGI | 11APR2006 | STE TE Connectivity | |
| | PRODUCT SPEC 108-78268 | APPLICATION SPEC 114-5377 | | |
| 0 PLC ± 1 PLC ± 2 PLC ± 3 PLC ± 4 PLC ± ANGLES ± | WEIGHT 0.086 g | CUSTOMER DRAWING | SIZE A4 | CAGE CODE 00779 |
| SCALE 7:1 | | DRAWING NO C-1903118 | | RESTRICTED TO |
| SHEET 1 OF 1 | | | REV C | |

X-ON Electronics

Largest Supplier of Electrical and Electronic Components

Click to view similar products for [Headers & Wire Housings](#) category:

Click to view products by [TE Connectivity](#) manufacturer:

Other Similar products are found below :

[892-18-020-10-001101](#) [58102-G61-06LF](#) [582553-1](#) [0009485154](#) [009176003701906](#) [0050291907](#) [LY20-4P-DT1-P1E-BR](#) [02.125.8002.8](#)
[609-3404](#) [61062-3](#) [61082-181009](#) [622-3653LF](#) [63453-116](#) [636-1030](#) [636-1427](#) [636-3427](#) [636-4007](#) [641938-9](#) [641991-4](#) [644827-2](#) [65817-](#)
[010LF](#) [65817-015LF](#) [65863-015LF](#) [66207-023LF](#) [67095-007LF](#) [67601157](#) [68645-018](#) [68648-049](#) [70.362.1628.0](#) [70-4210](#) [70-4226B](#) [70-](#)
[4853B](#) [707-5020](#) [707-5028](#) [71.350.2428.0](#) [71918-208LF](#) [71961-016LF](#) [733-134](#) [733-162](#) [754199-000](#) [760-3052](#) [787-8014-00](#) [79531-3000](#)
[FCN-360C032-B](#) [FCN-367T-T012/H](#) [FCN-723D010/2](#) [80.063.4001.1](#) [800-90-001-10-001000](#) [800-90-010-10-002000](#) [801-43-002-10-013000](#)