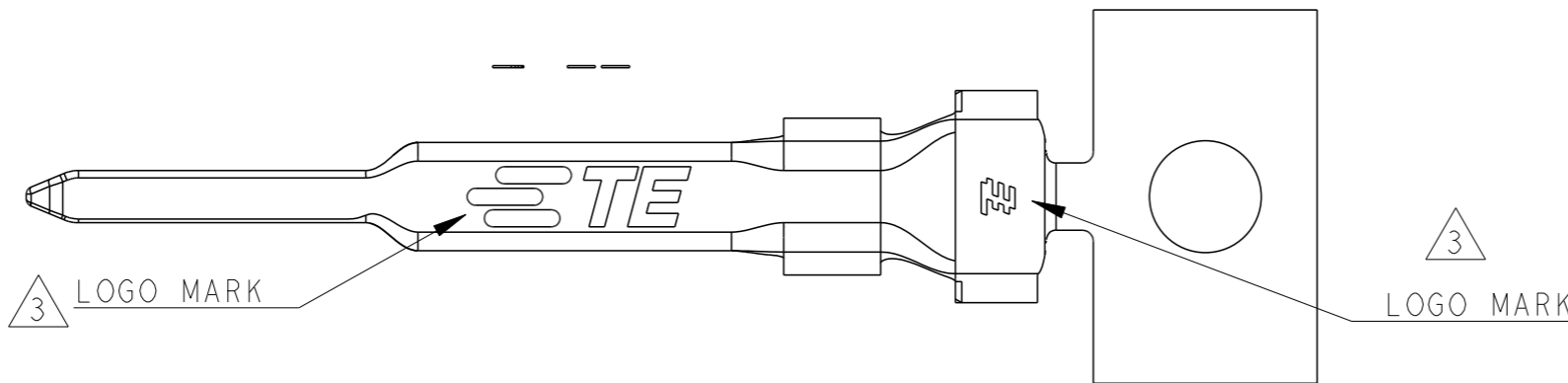
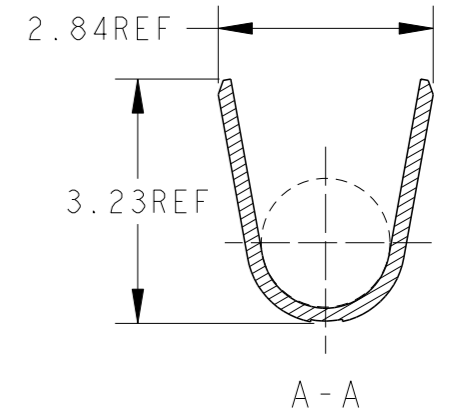
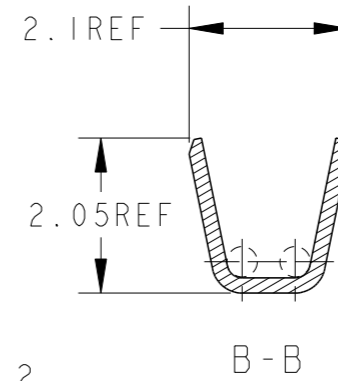
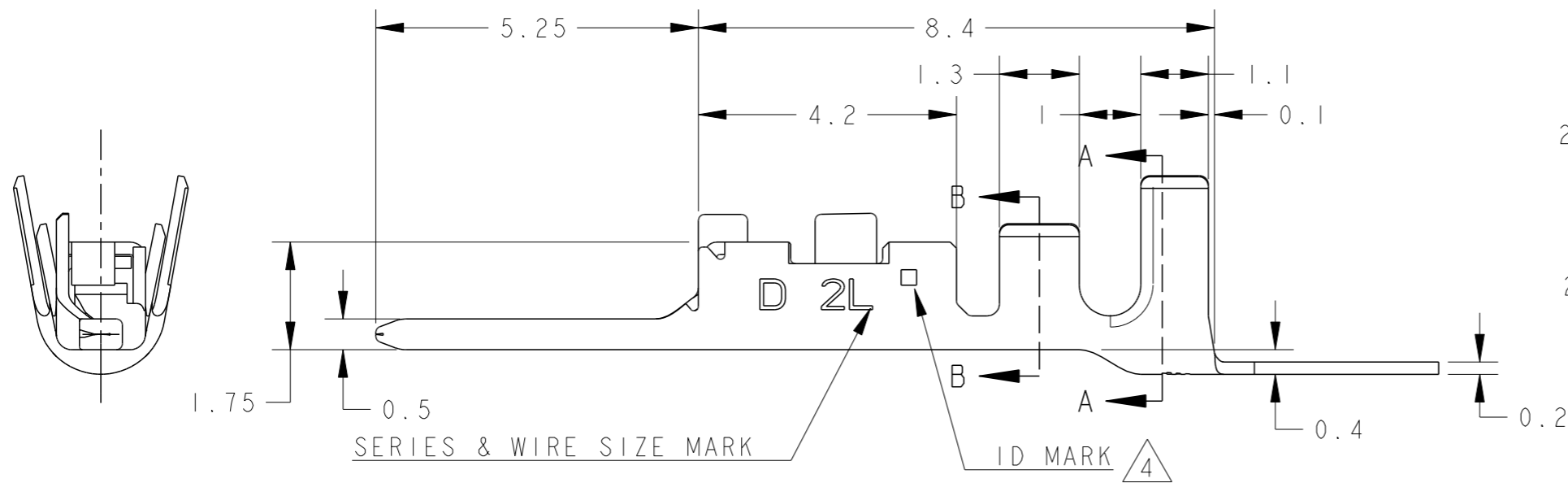
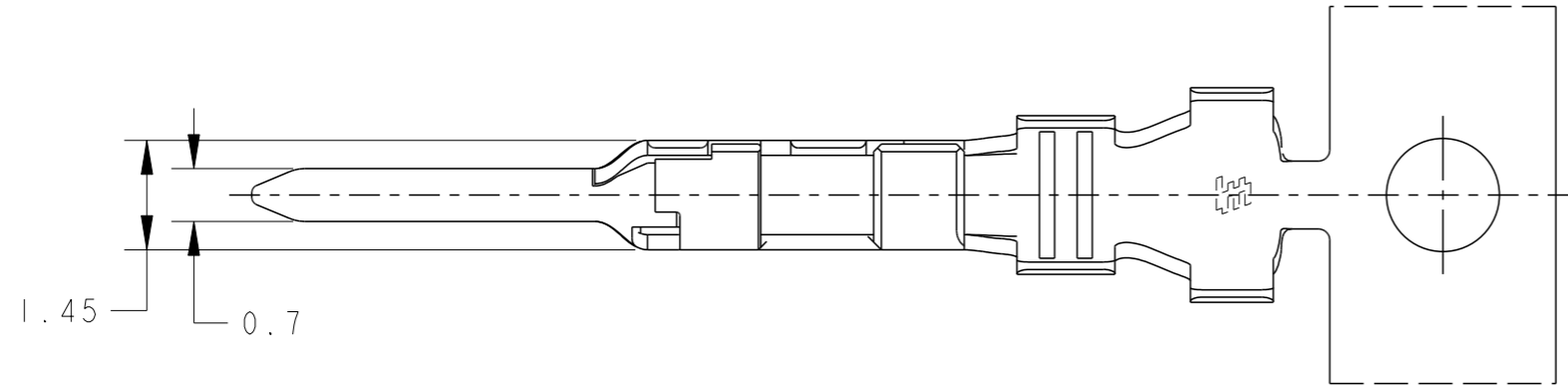


REVISIONS					
P	LTR	DESCRIPTION	DATE	DWN	APVD
	C	REVISED PER ECR-19-016494	24OCT2019	F.Z	R.B



AS SHOWN: 1903122-1

PRE-TIN COPPER ALLOY	1903122-1
MATERIAL	PART NO

WIRE RANGE	AWG#22-#18	INSULATION DIA
mm ² 0.34~0.86		Ø 1.4~Ø 2.2

- APPLICATION TAB-HSG IS APPLIED TO THE PRODUCT OF 2.5mm PITCH OR MORE OF DYNAMIC D1000 SERIES. 2.0mm PITCH CANNOT BE USED.
- THE SHAPE, SIZE AND POSITION OF THE CHARACTER SHOW THE OUTLINE. THEY DON'T SHOW DETAILS.
- ALTERNATIVE LOGO MARK FOR DIFFERENT DIE.
- ALTERNATIVE ID MARK, WITH "□" OR NO MARK.

THIS DRAWING IS A CONTROLLED DOCUMENT.

DIMENSIONS:	TOLERANCES UNLESS OTHERWISE SPECIFIED:
mm	± 0.3, ± 3°
	0 PLC ±
	1 PLC ±
	2 PLC ±
	3 PLC ±
	4 PLC ±
	ANGLES ±
MATERIAL	FINISH

DWN	M. MAEBASHI	26APR2006
CHK	T. KUDO	26APR2006
APVD	D. MITSUGI	26APR2006
PRODUCT SPEC	108-78298	
APPLICATION SPEC	114-5377	
WEIGHT	0.137 g	
CUSTOMER DRAWING		

TE Connectivity		NAME	
		DYNAMIC D1000 SERIES TAB CONTACT TIN-PLATE 2L-TYPE REEL	
SIZE	CAGE CODE	DRAWING NO	RESTRICTED TO
A3	00779	C=1903122	
SCALE		SHEET	REV
10:1		1 OF 1	C

X-ON Electronics

Largest Supplier of Electrical and Electronic Components

Click to view similar products for [Headers & Wire Housings](#) category:

Click to view products by [TE Connectivity](#) manufacturer:

Other Similar products are found below :

[892-18-020-10-001101](#) [58102-G61-06LF](#) [582553-1](#) [0009485154](#) [009176003701906](#) [0050291907](#) [LY20-4P-DT1-P1E-BR](#) [02.125.8002.8](#)
[609-3404](#) [61062-3](#) [61082-181009](#) [622-3653LF](#) [63453-116](#) [636-1030](#) [636-1427](#) [636-3427](#) [636-4007](#) [641938-9](#) [641991-4](#) [644827-2](#) [65817-](#)
[010LF](#) [65817-015LF](#) [65863-015LF](#) [66207-023LF](#) [67095-007LF](#) [67601157](#) [68645-018](#) [68648-049](#) [70.362.1628.0](#) [70-4210](#) [70-4226B](#) [70-](#)
[4853B](#) [707-5020](#) [707-5028](#) [71.350.2428.0](#) [71918-208LF](#) [71961-016LF](#) [733-134](#) [733-162](#) [754199-000](#) [760-3052](#) [787-8014-00](#) [79531-3000](#)
[FCN-360C032-B](#) [FCN-367T-T012/H](#) [FCN-723D010/2](#) [80.063.4001.1](#) [800-90-001-10-001000](#) [800-90-010-10-002000](#) [801-43-002-10-013000](#)