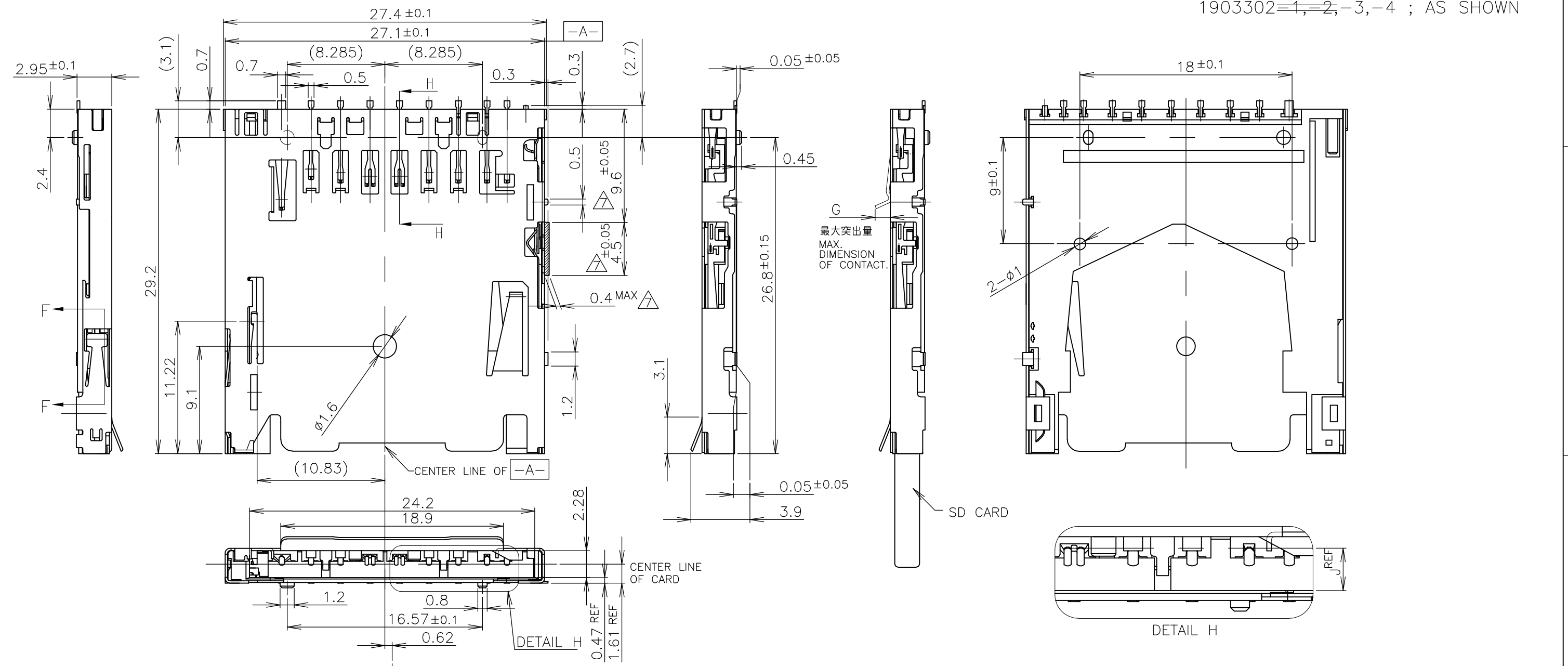


THIS DRAWING IS UNPUBLISHED. RELEASED FOR PUBLICATION OCT. 2005.
 © COPYRIGHT 2005 By - ALL RIGHTS RESERVED.

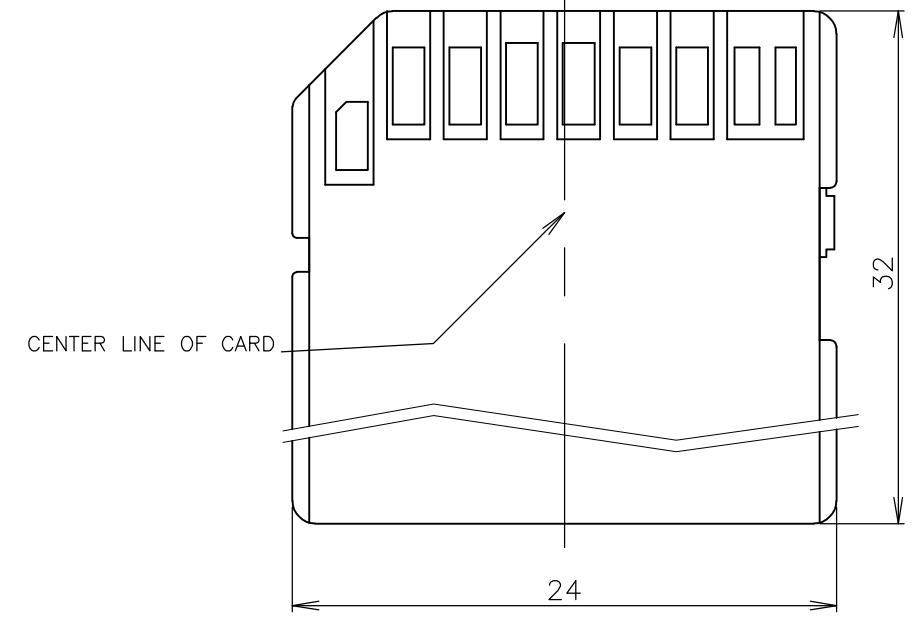
| REVISIONS | | | | |
|-----------|-----|-------------|-----------|---------|
| P | LTR | DESCRIPTION | DATE | APVD |
| G1 | | REVISED | 23JAN2017 | M.T K.K |

1903302=1,=2,-3,-4 ; AS SHOWN



| | DIMENSION G | |
|---|-------------|---------|
| PART No. | -1, -2 | -3, -4 |
| カード正規挿入時の最大突出量 MAX. DIMENSION OF CONTACT | 0.4MAX. | 0.7MAX. |
| カード逆挿し時の最大突出量 MAX. DIMENSION OF CONTACT | 1.3MAX. | 1.6MAX. |

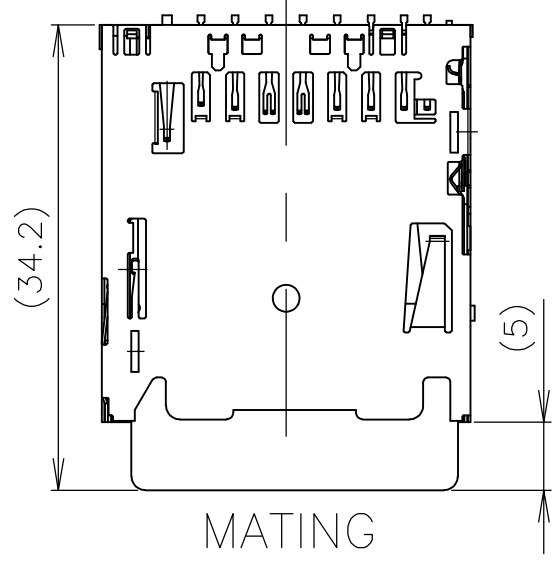
| | | |
|----------|-------------------|-------------|
| 2.2 | 110°±1° | 1903302-4 |
| | 93°±1° | 1903302-3 |
| OBSOLETE | 110°±1° | 1903302-2 |
| OBSOLETE | 93°±1° | 1903302-1 |
| J | HOOK SPRING ANGLE | PART NUMBER |



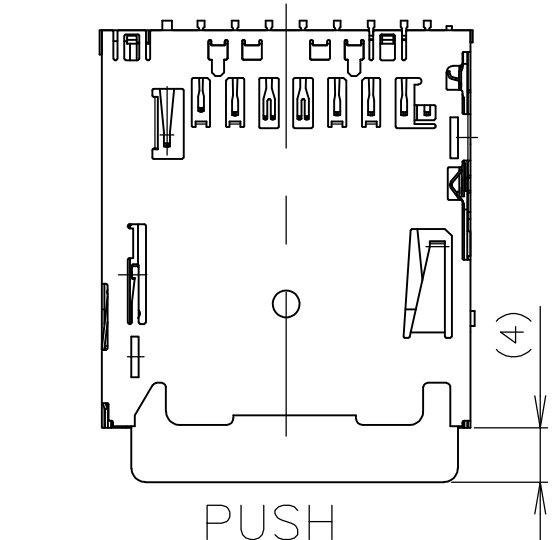
| | | | | |
|--|--|-------------------------------|--|-----------------|
| THIS DRAWING IS A CONTROLLED DOCUMENT. | | DWN Y.OKOSHI 31OCT2005 | STE TE Connectivity | |
| | | CHK Y.UCHIKAWA 01NOV2005 | | |
| DIMENSIONS: 単位: 耗 mm | | APVD T.KUSUHARA 01NOV2005 | NAME 名称 | |
| TOLERANCES UNLESS OTHERWISE SPECIFIED: 一般公差 | | PRODUCT SPEC 製品規格 108-78220-2 | SD MEMORY CARD CONNECTOR PUSH PUSH TYPE REVERSE H0 | |
| 0 PLC ± 0.3 1 PLC ± 0.3 2 PLC ± 0.3 3 PLC ± 0.3 4 PLC ± 0.3 ANGLES ± 3' | | APPLICATION SPEC 取付適用規格 | SIZE A3 | CAGE CODE 00779 |
| MATERIAL 材料 | | FINISH 仕上 | DRAWING NO 番号 C-1903302 | RESTRICTED TO |
| | | WEIGHT 2.05g | SCALE 尺度 NTS | |
| CUSTOMER DRAWING | | SHEET 1 OF 4 | | REV G1 |

| REVISIONS | | | | | |
|-----------|-----|-------------|------|-----|------|
| 変更 | | | | | |
| P | LTR | DESCRIPTION | DATE | DWN | APVD |
| - | - | SEE SHEET 1 | - | - | - |

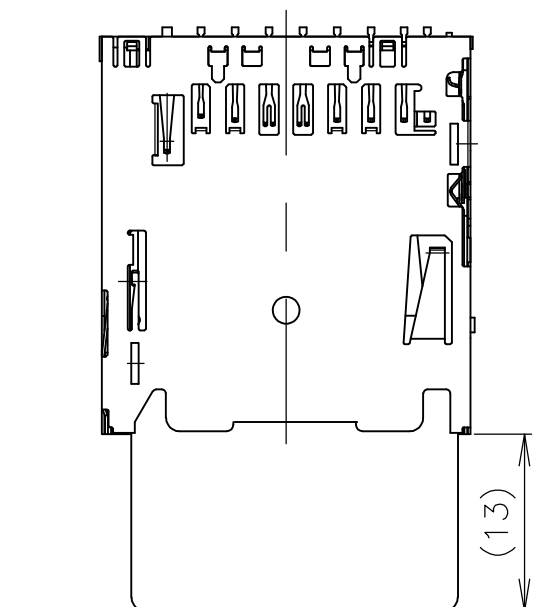
1903302=~~1~~,=~~2~~,=~~3~~,=~~4~~ ; AS SHOWN



MATING



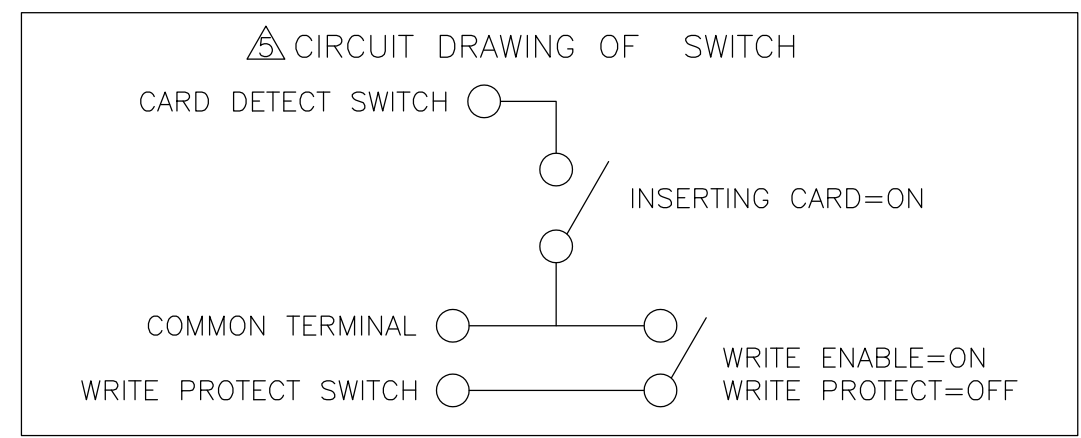
PUSH



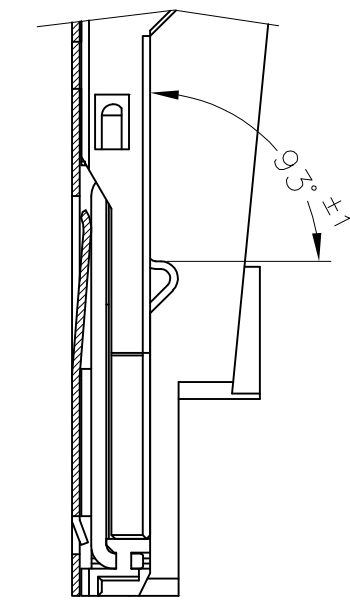
EJECT

- ① カード認識スイッチ用
- ② コモン端子用
- ③ ライトプロテクトスイッチ用
- 4 カード挿入時の接触の順番
PIN #3,4 → PIN #2,5,6,7,8,9
カード認識スイッチ ← PIN #1 ←
- ⑤ スイッチの回路図
- 6 本製品は浸漬による洗浄は行わないこと。
- ⑦ 部品実装禁止エリア
- 8 コプラナリティは、0.1mm以下。
- 9 材料
ハウジング：LCP樹脂、UL94V-0、黒色
スライダー：LCP樹脂、UL94V-0、NATURAL
コンタクト：銅合金
シェル：銅合金 (t=0.2)
- 10 仕上げ
コンタクト：接点部：Ni下地めっき 2~4μm、Auめっき0.2~0.5μm。
 タイン：Snめっき 2~4μm。(無光沢)
 タイン：Auめっき 0.05~0.13μm。(コモン端子)
シェル：Cu 0.5μm.MIN. Snめっき(前めっき リフロー処理) 1μm. MIN.
- 11 適合基板厚 0.8±0.1mm
- 12 サンプルを実装して不具合の有無を確認して下さい。
- 13 対応カード：SDAの規格に準拠したSDカード

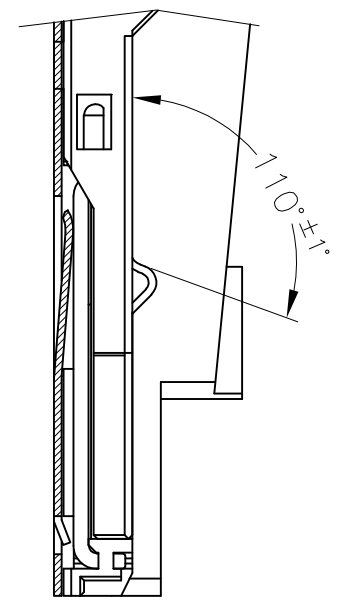
- ① FOR CARD DETECT SWITCH
- ② FOR COMMON TERMINAL
- ③ FOR WRITE PROTECT SWITCH
- 4 THE SEQUENCE OF CONTACT DURING CARD INSERTION
PIN #3,4 → PIN #2,5,6,7,8,9
CARD DETECT SWITCH ← PIN #1 ←
- ⑤ CIRCUIT DRAWING OF SWITCH
- 6 DON'T WASH BY IMMERSING THE CONNECTOR IN FLUID
- ⑦ COMPONENT PROHIBITION AREA
- 8 COPLANARITY IS 0.1 MAX.
- 9 MATERIAL
HOUSING: LCP, UL94V-0, BLACK
SLIDER: LCP, UL94V-0, NATURAL
CONTACT: COPPER ALLOY
SHELL: COPPER ALLOY (t=0.2)
- 10 FINISH
CONTACT: CONTACT AREA: Ni UNDER PLATING 2~4um. Au PLATING 0.2~0.5um.
 TINE: Sn PLATING 2~4um. (NON LUSTER)
 TINE: Au PLATING 0.05~0.13um. (COMMON TERMINAL)
SHELL: Cu 0.5um. MIN. Sn PLATING (PRE-TIN REFLOW) 1um. MIN.
- 11 APPLICABLE BOARD THICKNESS :0.8±0.1mm
- 12 PLEASE MOUNT THE SAMPLE AND CONFIRM THE PRESENCE OF TROUBLE.
- 13 ADAPTABLE CARD : SD CARD IN ACCORDANCE WITH STANDARD OF SDA.



ANGLE OF HOOK SPRING



ANGLE OF HOOK SPRING UNIT.
=~~1~~,=~~3~~ : AS SHOWN



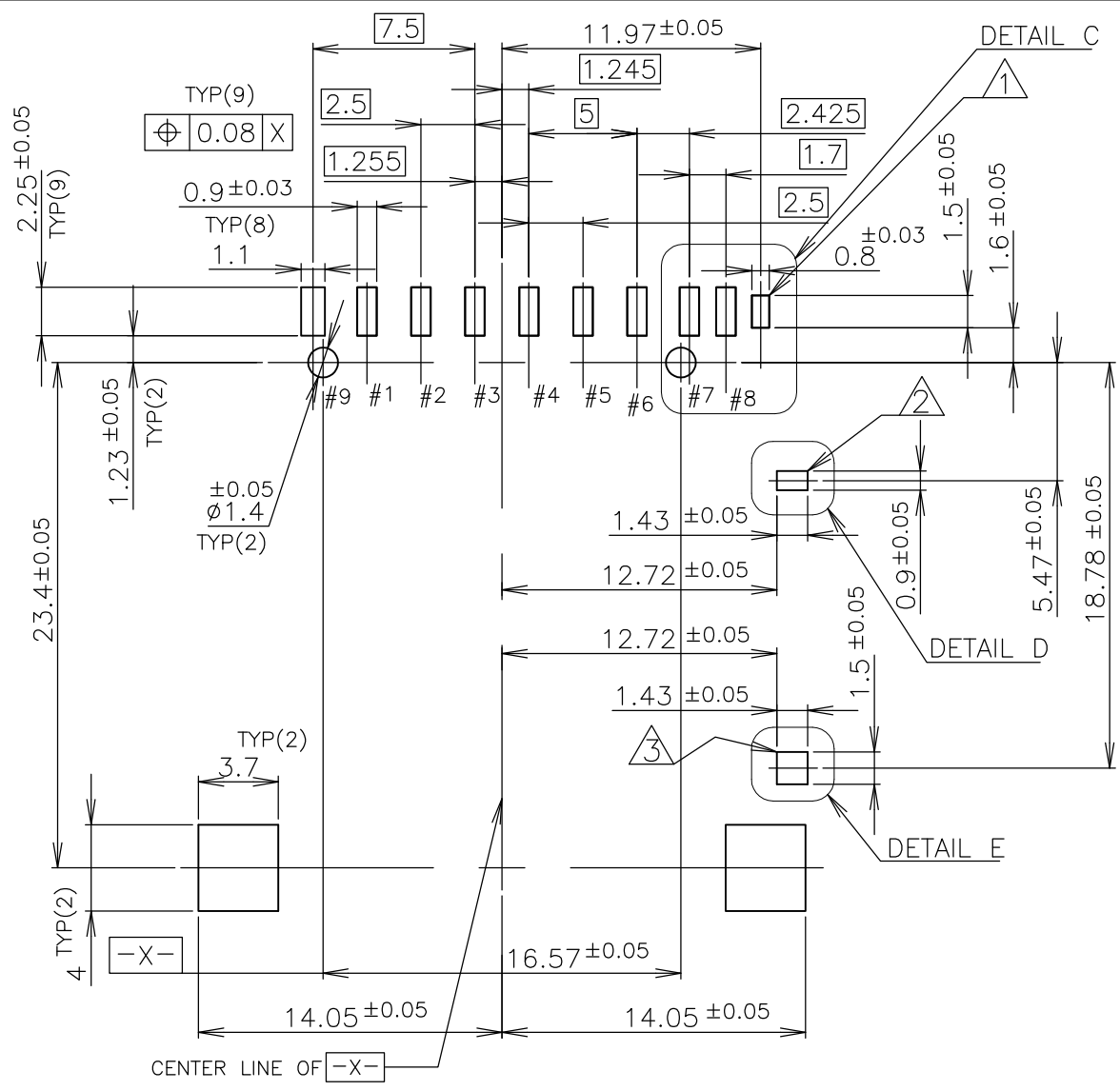
ANGLE OF HOOK SPRING UNIT.
=~~2~~,=~~4~~ : AS SHOWN

F-F

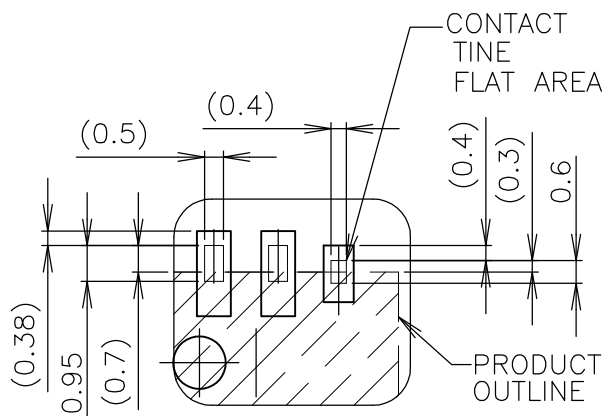
| | | | | | |
|---|--|-------------------------|--------------------------|-----------|---------------|
| THIS DRAWING IS A CONTROLLED DOCUMENT. | | DWN | TE Connectivity | | |
| DIMENSIONS: 単位: 耗 mm | | CHK | | | |
| TOLERANCES UNLESS OTHERWISE SPECIFIED: 一般公差 | | APVD | NAME 名称 | | |
| 0 PLC ± 0.3 | | PRODUCT SPEC 製品規格 | SD MEMORY CARD CONNECTOR | | |
| 1 PLC ± 0.3 | | APPLICATION SPEC 取付適用規格 | PUSH PUSH TYPE | | |
| 2 PLC ± 0.3 | | WEIGHT | SIZE | CAGE CODE | DRAWING NO 番号 |
| 3 PLC ± 0.3 | | CUSTOMER DRAWING | A3 | 00779 | G-1903302 |
| 4 PLC ± 0.3 | | | SCALE 尺度 | NTS | SHEET 2 OF 4 |
| FINISH 仕上 | | RESTRICTED TO | | | |

THIS DRAWING IS UNPUBLISHED. RELEASED FOR PUBLICATION OCT. 2005.
 © COPYRIGHT 2005 By - ALL RIGHTS RESERVED.

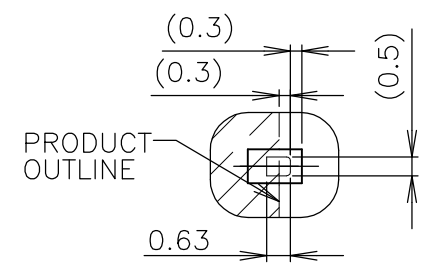
| REVISIONS | | | | | |
|-----------|-----|-------------|------|-----|------|
| 変更 | | | | | |
| P | LTR | DESCRIPTION | DATE | DWN | APVD |
| - | - | SEE SHEET 1 | - | - | - |



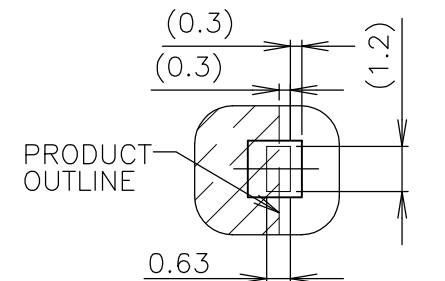
PCB PATTERN LAYOUT(REFERENCE)
 (VIEW FROM CONNECTOR MOUNT SIDE)



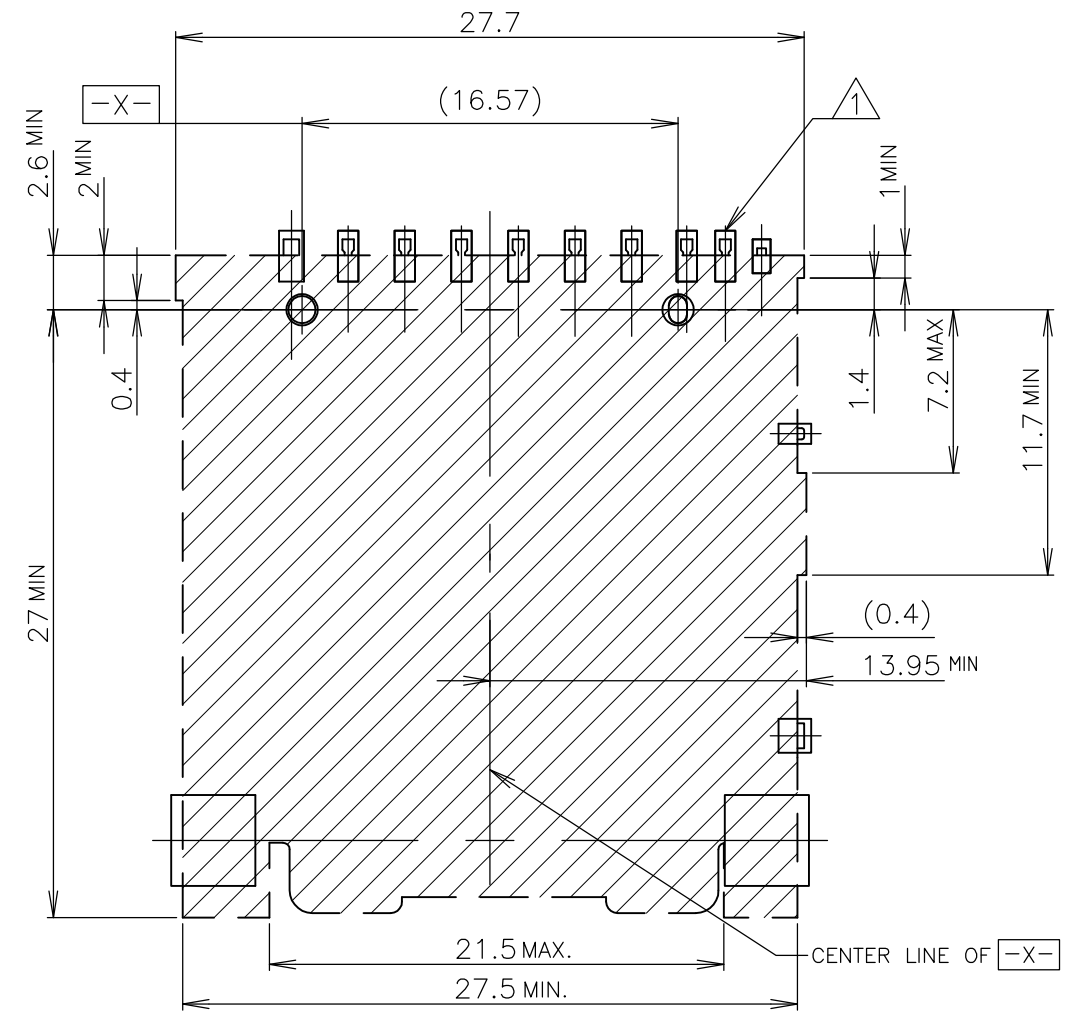
DETAIL C (SCALE 5:1)



DETAIL D (SCALE 5:1)

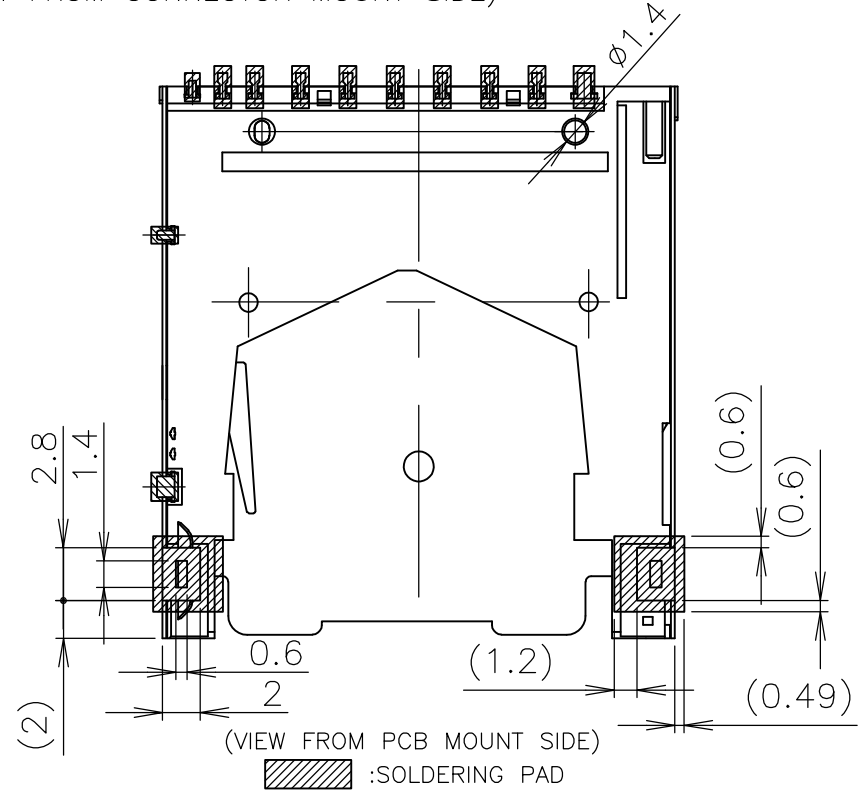


DETAIL E (SCALE 5:1)



(VIEW FROM CONNECTOR MOUNT SIDE)

▨ : COMPONENT PROHIBITION AREA
 □ : SOLDERING PAD



(VIEW FROM PCB MOUNT SIDE)

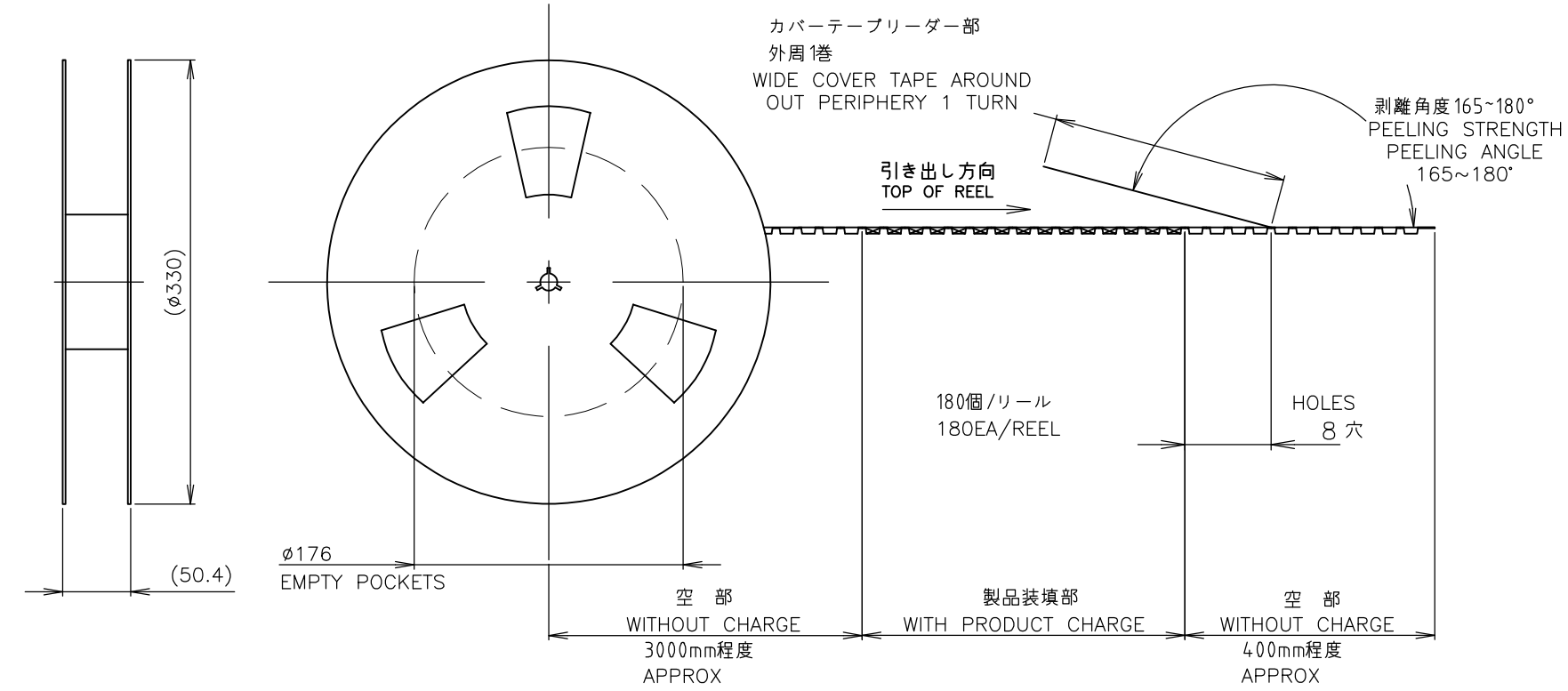
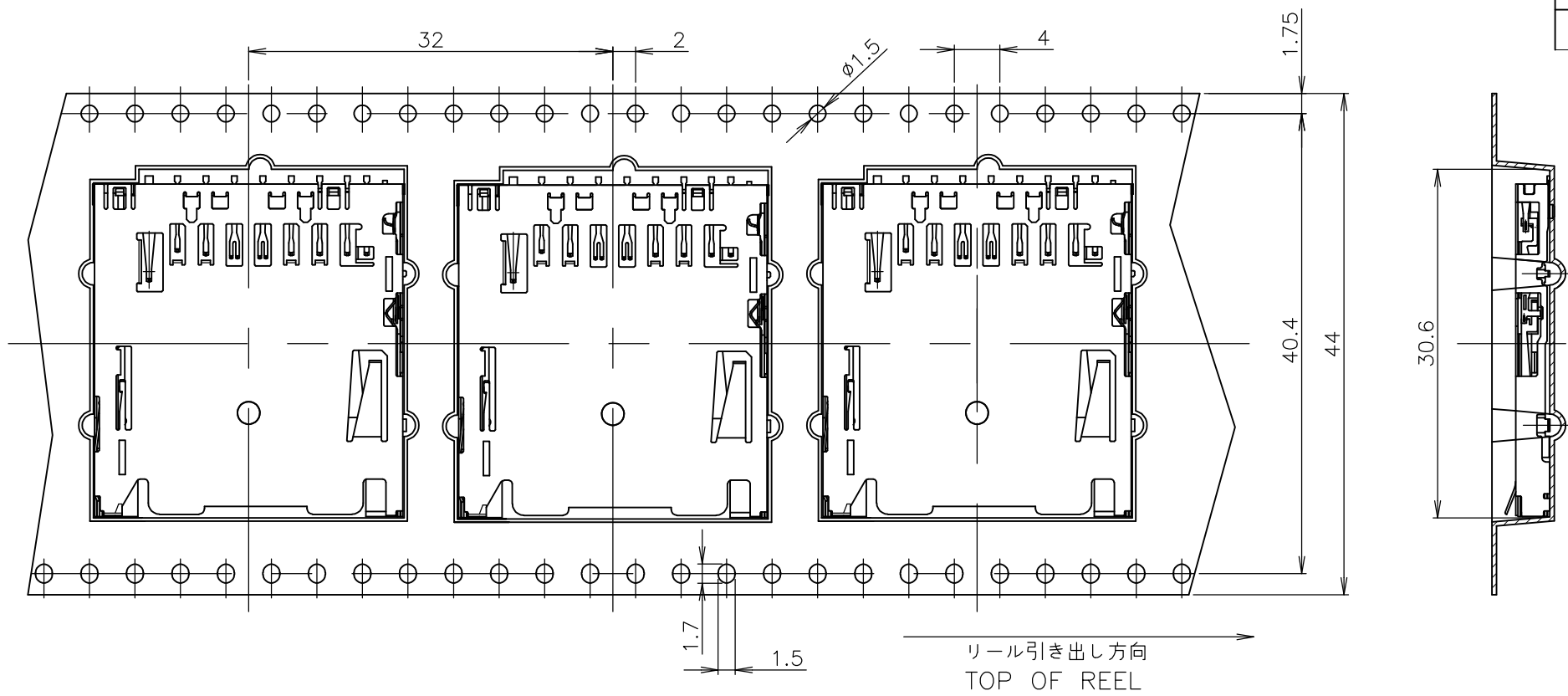
▨ : SOLDERING PAD

1903302=1,=2,-3,-4 ; AS SHOWN

| | | | | | |
|--|--|----------------------------|--|-------------|------------------|
| THIS DRAWING IS A CONTROLLED DOCUMENT. | | DWN | TE Connectivity | | |
| DIMENSIONS: 単位: 耗 mm | | CHK | | | |
| TOLERANCES UNLESS OTHERWISE SPECIFIED: 一般公差 | | APVD | NAME 名称 | | |
| 0 PLC ± 0.3 | | PRODUCT SPEC 製品規格 | SD MEMORY CARD CONNECTOR PUSH PUSH TYPE REVERSE H0 | | |
| 1 PLC ± 0.3 | | APPLICATION SPEC 取付適用規格 | SIZE | CAGE CODE | DRAWING NO 番号 |
| 2 PLC ± 0.3 | | WEIGHT | A3 | 00779 | G-1903302 |
| 3 PLC ± 0.3 | | CUSTOMER DRAWING | | SCALE 尺度 | SHEET 3 OF 4 |
| 4 PLC ± 0.3 | | | | REV G1 | |
| ANGLES ± 3° | | | | | |
| FINISH 仕上 | | | | | |
| MATERIAL 材料 | | | | | |

THIS DRAWING IS UNPUBLISHED. RELEASED FOR PUBLICATION OCT. 2005.
 © COPYRIGHT 2005 By - ALL RIGHTS RESERVED.

| REVISIONS | | | | | |
|-----------|-----|-------------|------|-----|------|
| 変更 | | | | | |
| P | LTR | DESCRIPTION | DATE | DWN | APVD |
| - | - | SEE SHEET 1 | - | - | - |



1903302=1,=2,-3,-4 ; AS SHOWN

| | | | | | | |
|--|--|-------------------------|--|--------------|---------------|---------------|
| THIS DRAWING IS A CONTROLLED DOCUMENT. | | DWN | TE Connectivity | | | |
| DIMENSIONS: 単位: 耗 mm | | CHK | | | | |
| TOLERANCES UNLESS OTHERWISE SPECIFIED: 一般公差 | | APVD | NAME 名称 | | | |
| 0 PLC ± 0.3 1 PLC ± 0.3 2 PLC ± 0.3 3 PLC ± 0.3 4 PLC ± 0.3 ANGLES ± 3° | | PRODUCT SPEC 製品規格 | SD MEMORY CARD CONNECTOR PUSH PUSH TYPE REVERSE H0 | | | |
| MATERIAL 材料 | | APPLICATION SPEC 取付適用規格 | SIZE | CAGE CODE | DRAWING NO 番号 | RESTRICTED TO |
| FINISH 仕上 | | WEIGHT | A3 | 00779 | G-1903302 | |
| CUSTOMER DRAWING | | | SCALE 尺度 NTS | SHEET 4 OF 4 | REV G1 | |

X-ON Electronics

Largest Supplier of Electrical and Electronic Components

Click to view similar products for [Headers & Wire Housings](#) category:

Click to view products by [TE Connectivity](#) manufacturer:

Other Similar products are found below :

[95000-104TRLF](#) [10135584-644402LF](#) [DF62W-EP2022PCA](#) [95000-106TRLF](#) [DF62W-2022SCA](#) [DF62W-EP2022PC](#) [2203348](#) [DF62W-2022SC](#) [1084018](#) [1029039](#) [1084017](#) [802-10-012-10-002000](#) [1112640](#) [1112639](#) [000-34000](#) [0009482033](#) [0009507031](#) [57102-S06-03LF](#) [57202-S52-04LF](#) [PCN6-15S-2.5E](#) [0039019024](#) [58102-G61-06LF](#) [582553-1](#) [0009485154](#) [0009508121](#) [0022285053](#) [0050291907](#) [018731A](#) [LY20-4P-DT1-P1E-BR](#) [02.125.8002.8](#) [60101931](#) [60598-1 \(Cut Strip\)](#) [M1625-3R/100](#) [61062-3](#) [61082-181009](#) [636-1427](#) [638009-1](#) [641938-9](#) [641991-4](#) [644168-1](#) [647662-1](#) [65039-019ELF](#) [65781-047](#) [65817-002LF](#) [65817-015LF](#) [65863-015LF](#) [66207-023LF](#) [67016-026LF](#) [67046-001LF](#) [67095-007LF](#)