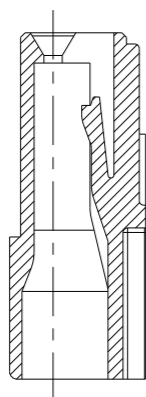
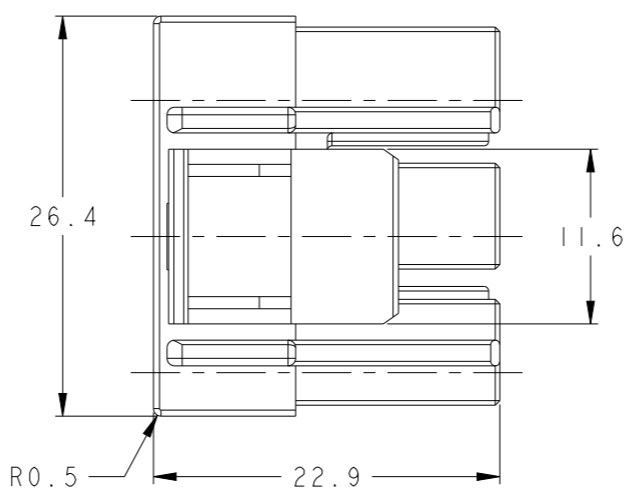


REVISIONS

P	LTR	DESCRIPTION	DATE	DWN	APVD
	F4	REVISED PER ECR-21-105872	06JUL2021	SC	D.Z



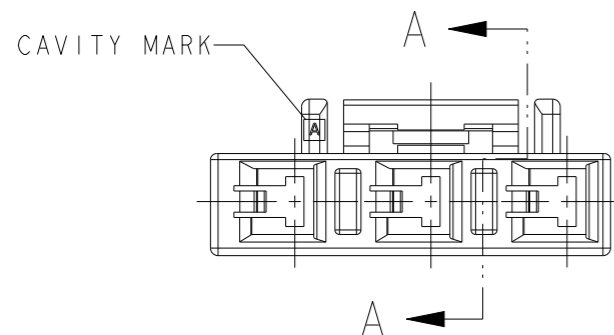
SECTION D - D



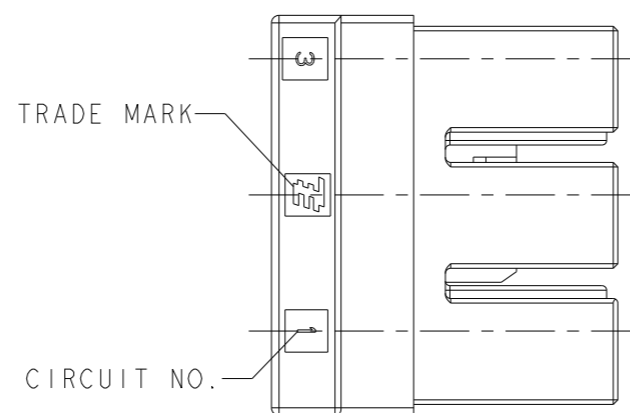
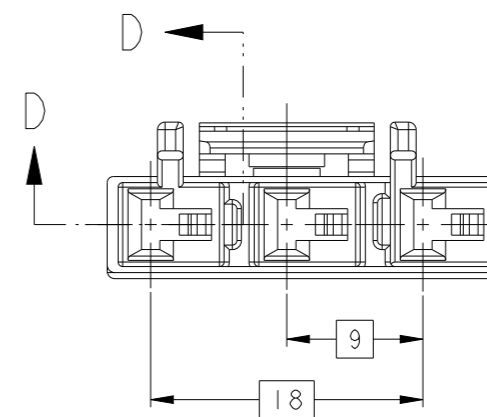
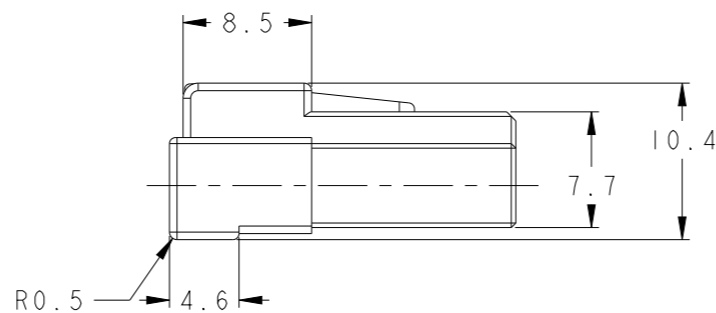
NOTES

⚠ MATING CONN. P/N
 HDR ASSEMBLY: SEE TABLE
 REC CONTACT: 1746971-1
 : 1746972-1

2 PART MEETS WITH GWT 750°C



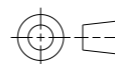
SECTION A - A



2-1903415-1	BLUE	2-1903414-1
1-1903415-1	RED	1-1903414-1
1903415-1	NATURAL	1903414-1
⚠ MATING CONN. P/N	COLOR	PART NUMBER

THIS DRAWING IS A CONTROLLED DOCUMENT.

DIMENSIONS:
mm



TOLERANCES UNLESS OTHERWISE SPECIFIED:

0 PLC	±0.3
1 PLC	±0.3
2 PLC	±0.3
3 PLC	±0.2
4 PLC	±0.2
ANGLES	±3°

MATERIAL
 PA66 GF
 UL94 V-0

FINISH

-

DWN 07FEB2006

A. HIROTA

CHK 07FEB2006

N. YAMASAKI

APVD 07FEB2006

N. YAMASAKI

PRODUCT SPEC

108-78357

APPLICATION SPEC

114-5356

WEIGHT

-

CUSTOMER DRAWING

NAME
 GRACE HI-CURRENT (GHC)
 9.0mm 3POS PLUG HOUSING

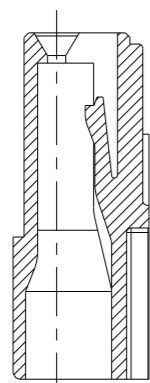
SIZE CAGE CODE DRAWING NO RESTRICTED TO

A3 00779 C-1903414

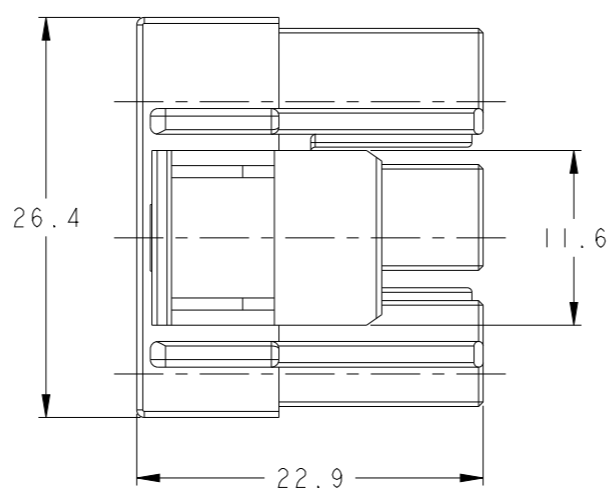
STE TE Connectivity

SCALE 2:1 SHEET 1 OF 2 REV F4

P	LTR	DESCRIPTION	DATE	DWN	APVD
		SEE SHEET 1			



SECTION D-D

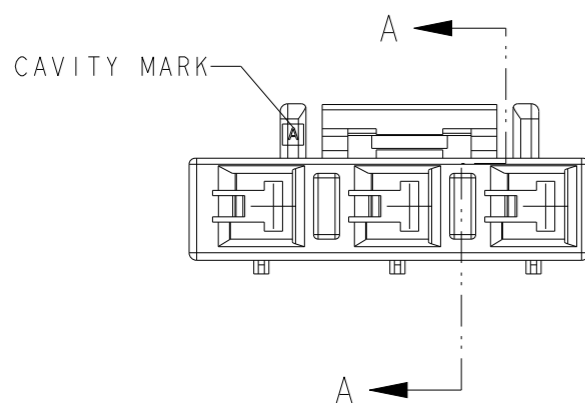


NOTES

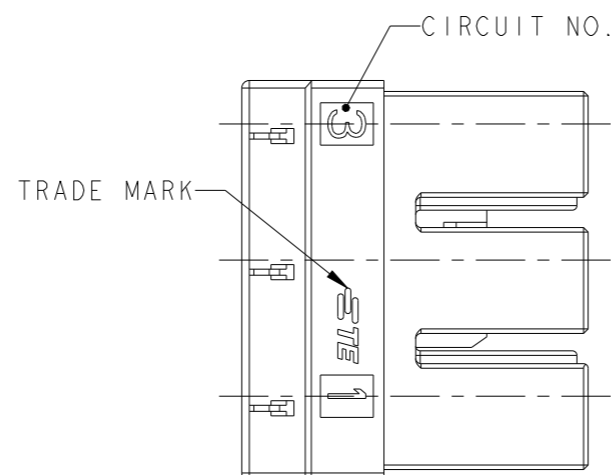
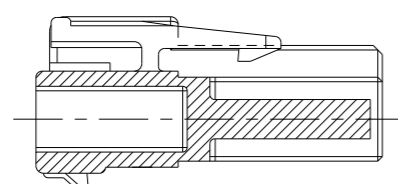
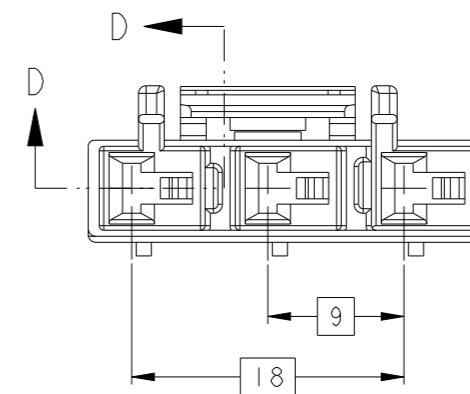
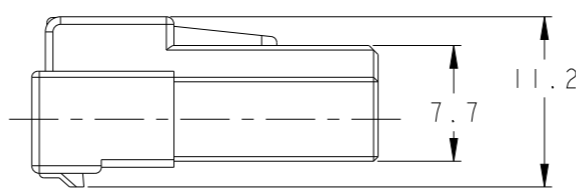
⚠ MATING CONN. P/N
 HDR ASSEMBLY: SEE TABLE
 REC CONTACT: 1746971-1
 : 1746972-1

2 PART MEETS WITH GWT 750°C

3 APPLICABLE TPA P/N: 2232563-1 OR 1-2232563-1



SECTION A-A



4-1903415-1	BLACK	4-1903414-2
2-1903415-1	BLUE	2-1903414-2
1-1903415-1	RED	1-1903414-2
1903415-1	NATURAL	1903414-2
⚠ MATING CONN. P/N	COLOR	PART NUMBER

THIS DRAWING IS A CONTROLLED DOCUMENT.

DIMENSIONS: mm	
MATERIAL PA66 GF UL94 V-0	

TOLERANCES UNLESS OTHERWISE SPECIFIED:	
0 PLC	±0.3
1 PLC	±0.3
2 PLC	±0.3
3 PLC	±0.2
4 PLC	±0.2
ANGLES	±3°
FINISH	-

DWN	SC KIM	26OCT2016
CHK	BH CHO	26OCT2016
APVD	BW KANG	26OCT2016
PRODUCT SPEC	108-78357	
APPLICATION SPEC	114-5356	
WEIGHT	-	
CUSTOMER DRAWING		

STE TE Connectivity		
NAME GRACE HI-CURRENT(GHC) 9.0mm 3POS PLUG HOUSING		
SIZE	CAGE CODE	DRAWING NO
A3	00779	1903414
SCALE 2:1		SHEET 2 OF 2
REV F4		RESTRICTED TO -

X-ON Electronics

Largest Supplier of Electrical and Electronic Components

Click to view similar products for [Power to the Board](#) category:

Click to view products by [TE Connectivity](#) manufacturer:

Other Similar products are found below :

[6450171-4](#) [6450552-7](#) [6600323-8](#) [6643429-1](#) [6646040-2](#) [6651939-1](#) [6766604-1](#) [120959-1](#) [1393557-2](#) [1393532-2](#) [1393532-3](#) [1393532-4](#)
[1393557-1](#) [1600812-5](#) [1-6450861-2](#) [1744132-7](#) [1761122-1](#) [1766250-1](#) [1892109-1](#) [2-6450860-5](#) [2-6450870-0](#) [1-6450161-4](#) [1-6450850-6](#) [1-](#)
[6450869-6](#) [1645526-2](#) [1-6600130-0](#) [2005243-2](#) [377-0020-11130](#) [TE34-12-16P-F0](#) [51700-10201602AALF](#) [5-6450830-6](#) [5646956-4](#) [377-](#)
[0080-11131A](#) [4-6450830-9](#) [4-6600333-3](#) [10125416-4050LF](#) [10130248-005LF](#) [6600320-3](#) [3-6450860-5](#) [1888123-2](#) [6450166-1](#) [6643978-1](#)
[6766605-1](#) [701-15-02109](#) [N11444](#) [6651938-1](#) [6450810-7](#) [46437-1112](#) [1-1589677-8](#) [5646956-5](#)