

THIS DRAWING IS UNPUBLISHED.

RELEASED FOR PUBLICATION

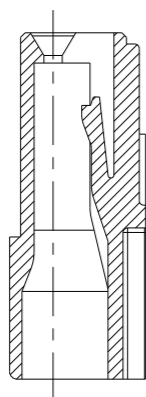
20

© COPYRIGHT 20 BY -

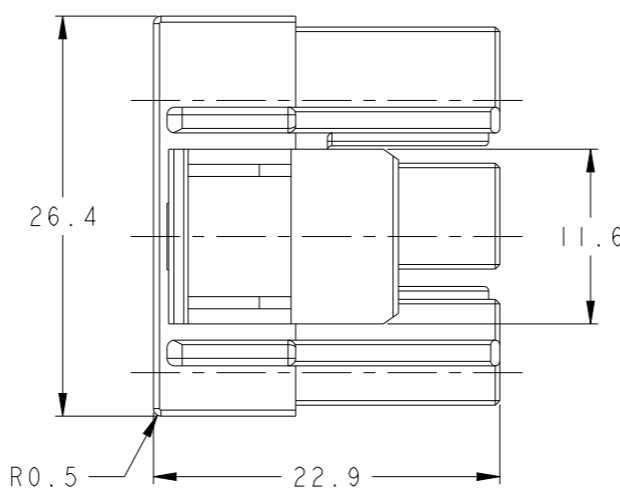
ALL RIGHTS RESERVED.

REVISIONS

P	LTR	DESCRIPTION	DATE	DWN	APVD
	F4	REVISED PER ECR-21-105872	06JUL2021	SC	D.Z



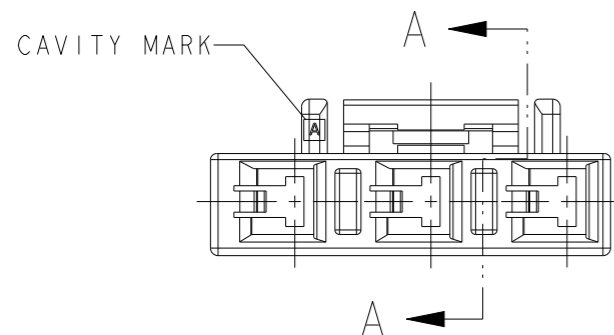
SECTION D - D



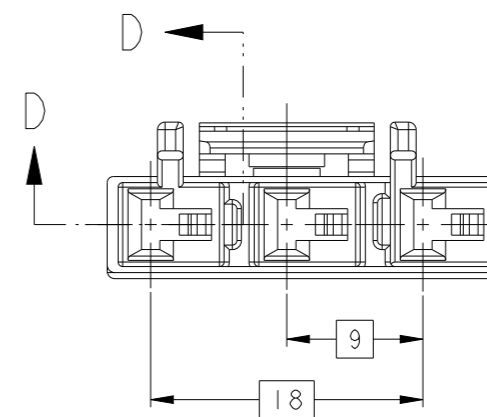
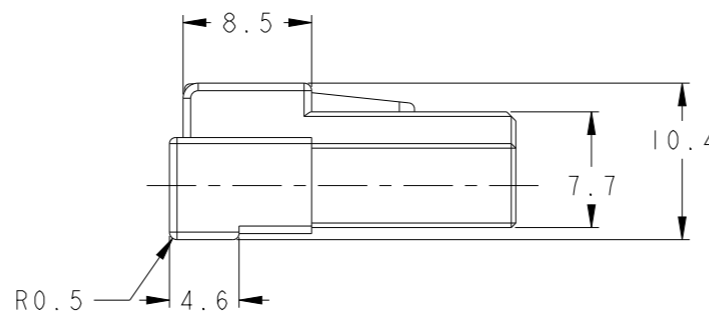
NOTES

⚠ MATING CONN. P/N  
 HDR ASSEMBLY: SEE TABLE  
 REC CONTACT: 1746971-1  
 : 1746972-1

2 PART MEETS WITH GWT 750°C

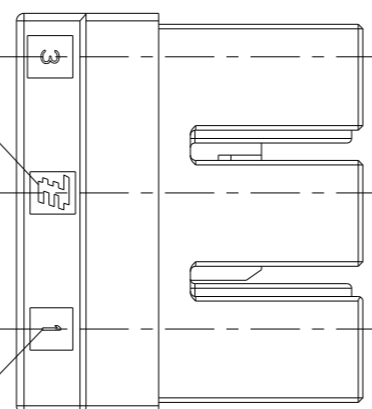


SECTION A - A



TRADE MARK

CIRCUIT NO.

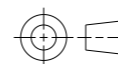


2-1903415-1	BLUE	2-1903414-1
1-1903415-1	RED	1-1903414-1
1903415-1	NATURAL	1903414-1
⚠ MATING CONN.P/N	COLOR	PART NUMBER

THIS DRAWING IS A CONTROLLED DOCUMENT.

DIMENSIONS:

mm



TOLERANCES UNLESS OTHERWISE SPECIFIED:

0 PLC	±0.3
1 PLC	±0.3
2 PLC	±0.3
3 PLC	±0.2
4 PLC	±0.2
ANGLES	±3°

MATERIAL

PA66 GF  
UL94 V-0

FINISH

-

DWN 07FEB2006

A.HIROTA

CHK 07FEB2006

N.YAMASAKI

APVD 07FEB2006

N.YAMASAKI

PRODUCT SPEC

108-78357

APPLICATION SPEC

114-5356

WEIGHT

-

CUSTOMER DRAWING

NAME

GRACE HI-CURRENT(GHC)  
9.0mm 3POS PLUG HOUSING

SIZE

A300779

CAGE CODE

DRAWING NO

1903414

RESTRICTED TO

-

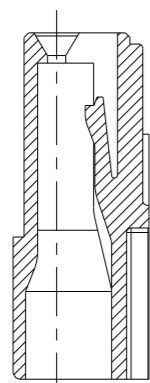
SCALE 2:1

SHEET 1 OF 2

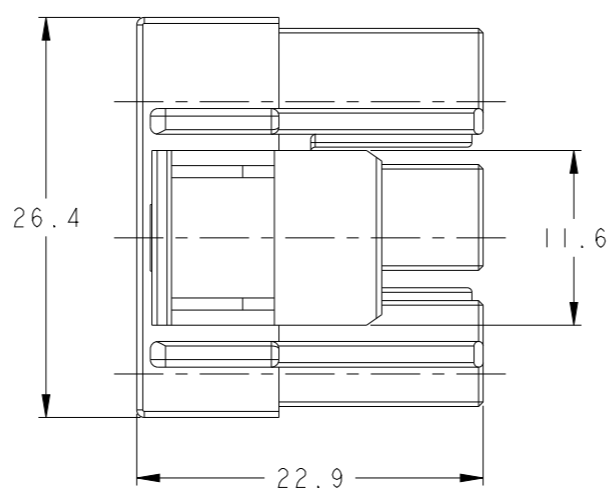
REV F4

**STE** TE Connectivity

P	LTR	DESCRIPTION	DATE	DWN	APVD
		SEE SHEET 1			



SECTION D-D

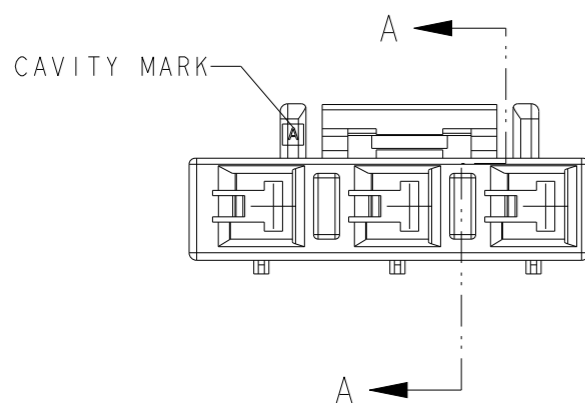


NOTES

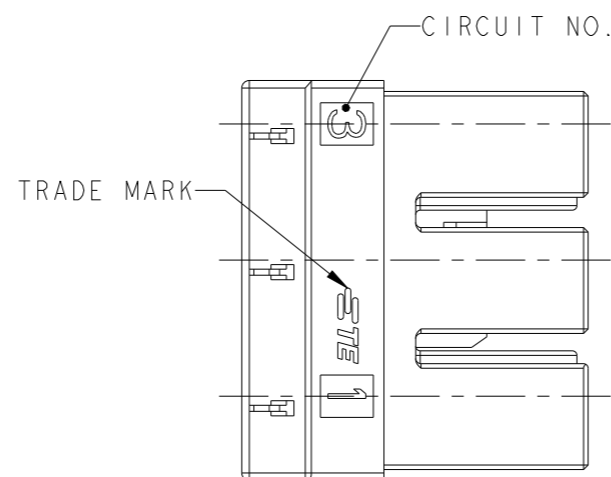
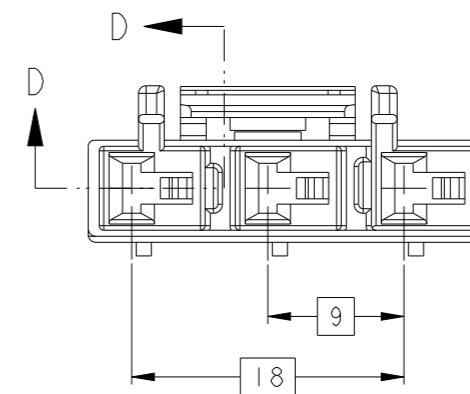
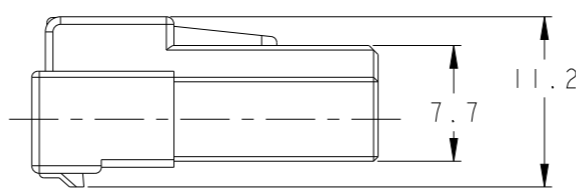
⚠ MATING CONN. P/N  
 HDR ASSEMBLY: SEE TABLE  
 REC CONTACT: 1746971-1  
 : 1746972-1

2 PART MEETS WITH GWT 750°C

3 APPLICABLE TPA P/N: 2232563-1 OR 1-2232563-1



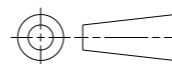
SECTION A-A



4-1903415-1	BLACK	4-1903414-2
2-1903415-1	BLUE	2-1903414-2
1-1903415-1	RED	1-1903414-2
1903415-1	NATURAL	1903414-2
⚠ MATING CONN. P/N	COLOR	PART NUMBER

THIS DRAWING IS A CONTROLLED DOCUMENT.

DIMENSIONS:  
mm



TOLERANCES UNLESS OTHERWISE SPECIFIED:

- 0 PLC ±0.3
- 1 PLC ±0.3
- 2 PLC ±0.3
- 3 PLC ±0.2
- 4 PLC ±0.2
- ANGLES ±3°

MATERIAL  
PA66 GF  
UL94 V-0

FINISH  
-

DWN SC KIM 26OCT2016

CHK BH CHO 26OCT2016

APVD BW KANG 26OCT2016

PRODUCT SPEC  
108-78357

APPLICATION SPEC  
114-5356

WEIGHT  
-

CUSTOMER DRAWING



NAME  
GRACE HI-CURRENT(GHC)  
9.0mm 3POS PLUG HOUSING

SIZE	CAGE CODE	DRAWING NO	RESTRICTED TO
A3	00779	1903414	-

SCALE 2:1 SHEET 2 OF 2 REV F4

## X-ON Electronics

Largest Supplier of Electrical and Electronic Components

*Click to view similar products for [Heavy Duty Power Connectors](#) category:*

*Click to view products by [TE Connectivity](#) manufacturer:*

Other Similar products are found below :

[647757-1](#) [6643411-1](#) [6646058-2](#) [6646137-1](#) [6646138-1](#) [6646479-1](#) [6646608-1](#) [6646786-1](#) [6646940-1](#) [6651091-1](#) [6651525-1](#) [6651529-1](#)  
[6651788-1](#) [696475-1](#) [702-32-01109](#) [703-25-02205](#) [73000005059](#) [73000005642](#) [73080255059](#) [73080965046](#) [765-15-0080A](#) [765-16-0080B](#)  
[765-18-0080D](#) [829992-1](#) [902-77-02113](#) [PS00/A0620/6300](#) [PS25/A0420/63](#) [129-1J](#) [1409400](#) [AN0024023](#) [E6374G1](#) [e6389g2](#) [157-43GW8](#)  
[MS3117-14AC](#) [1643543-1](#) [1650540-1](#) [1651811-2](#) [1766260-1](#) [1766282-1](#) [1766966-1](#) [1791340000](#) [NLDFT-3-BL-L-S120-M40A](#) [NLDFT-N-](#)  
[W-L-C240-M40B](#) [NLS-2-R-C240-M40B](#) [NLS-N-W-C240-M40B](#) [NPS-3-BL-T6](#) [1986615-1](#) [2-1589900-8](#) [2199314-1](#) [KA8102](#)