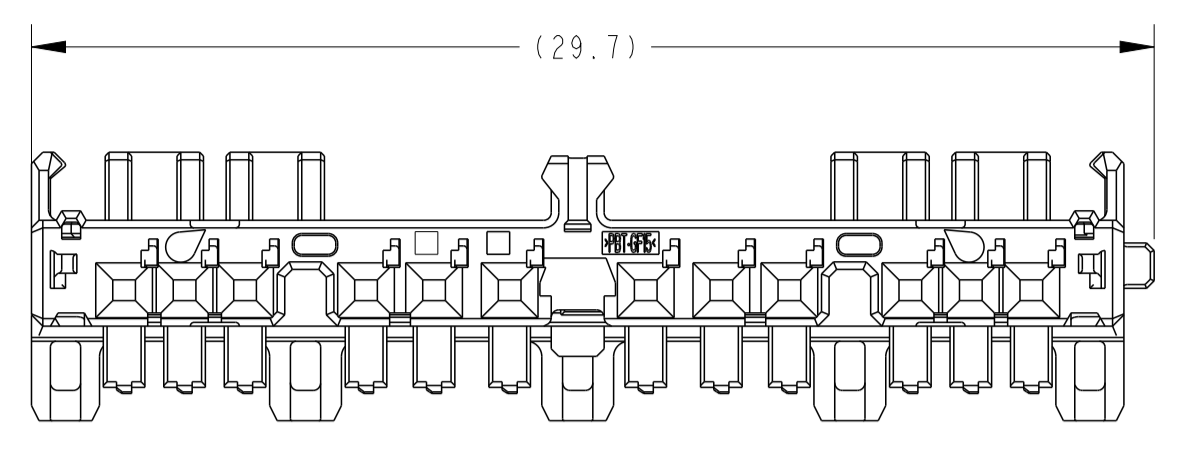
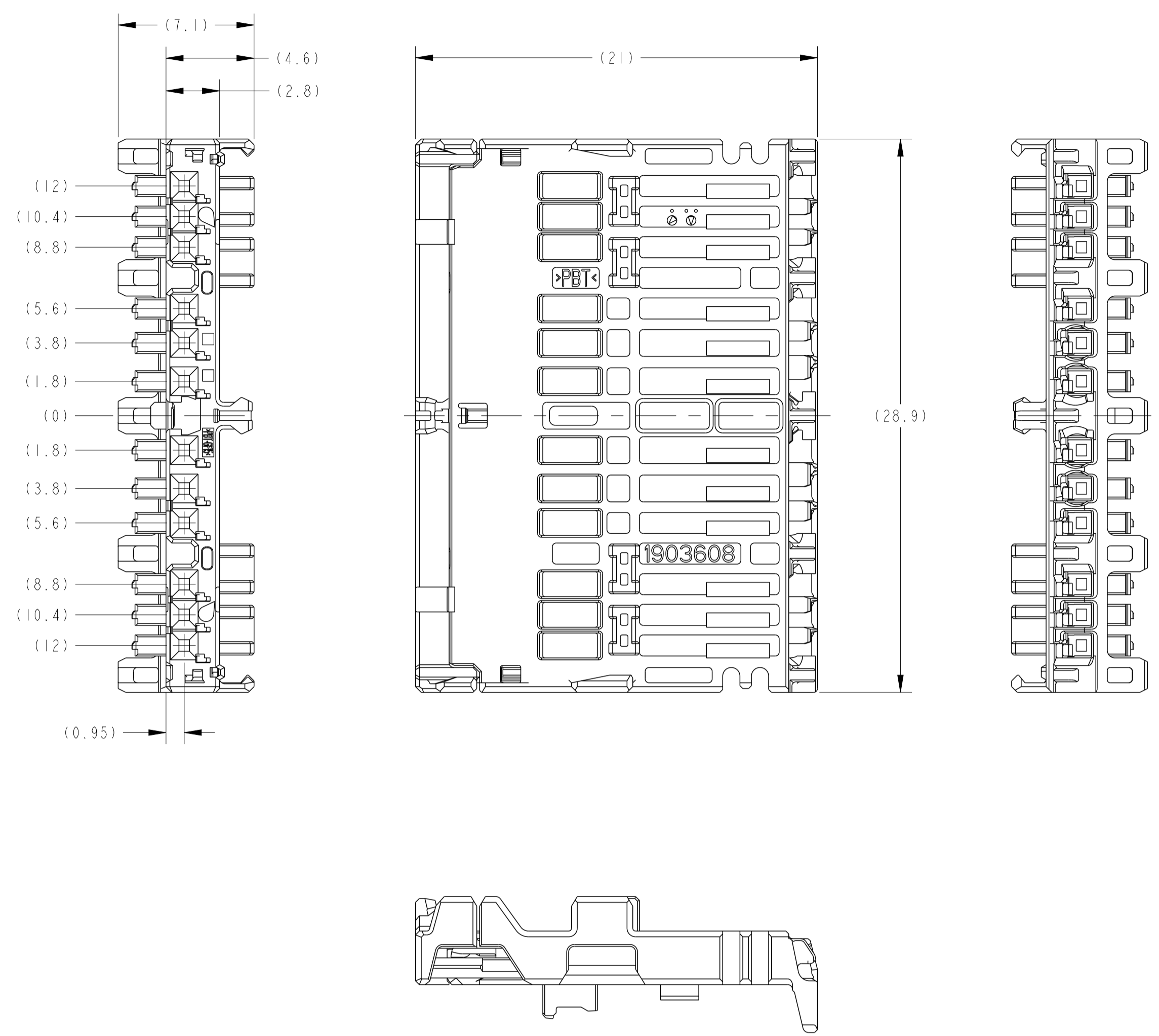
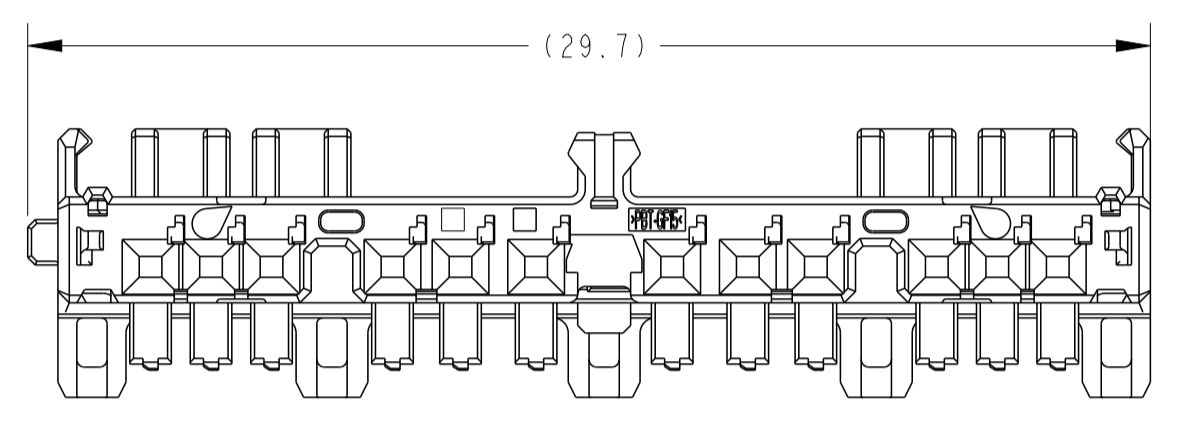


① -1, -7, 1--3; AS SHOWN  
 -1, -7, 1--3; 本圖

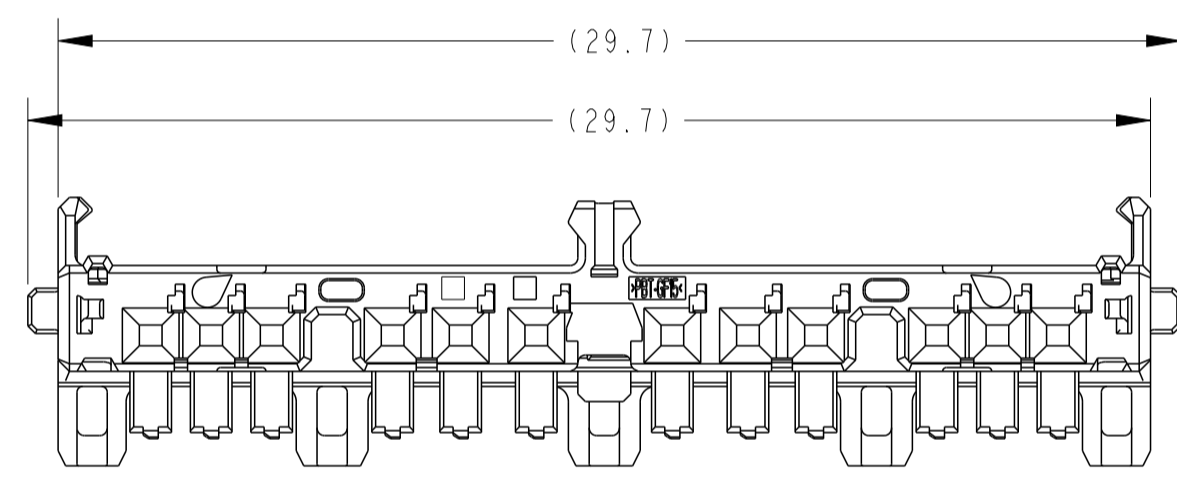
REV. LIST		REVISIONS			
NO.	DATE	DESCRIPTION	DATE	OWN	APPR
B1		REVISED	ECR-17-002980	15MAR17	KT TK
B2		REVISED	ECR-18-019662	04FEB19	SS RK
B3		REVISED	ECR-20-007698	29MAY20	KT RK



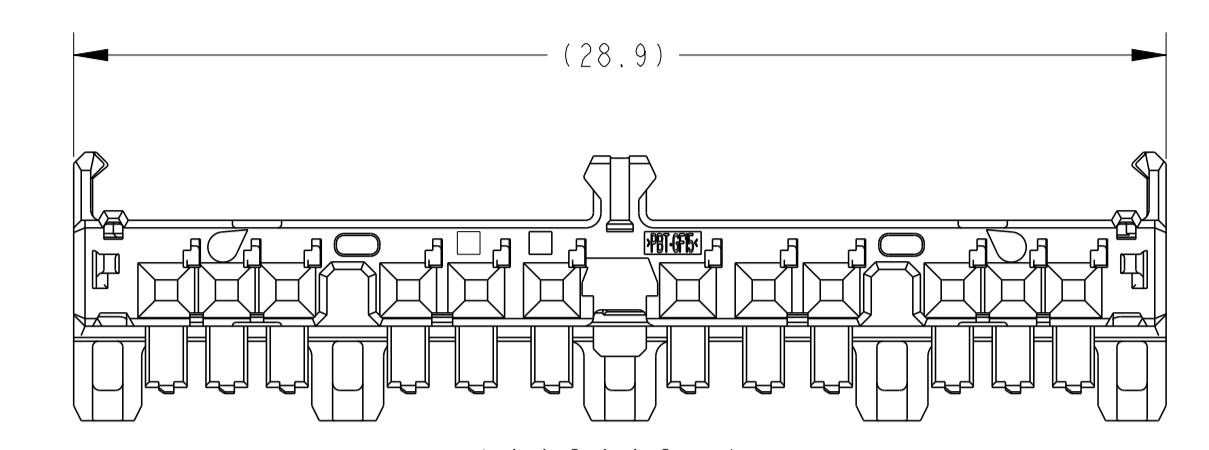
1903608-2  
 1903608-8



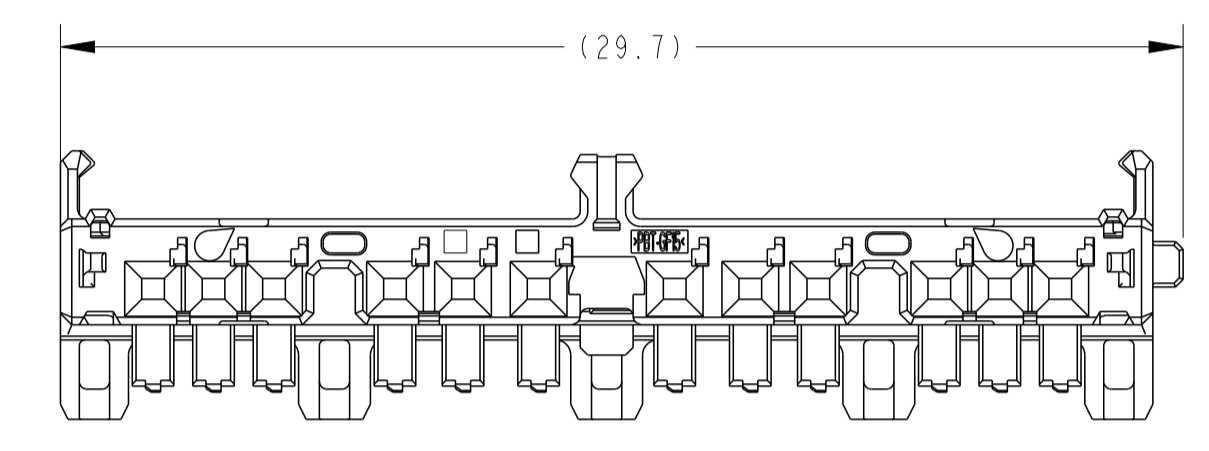
1903608-3



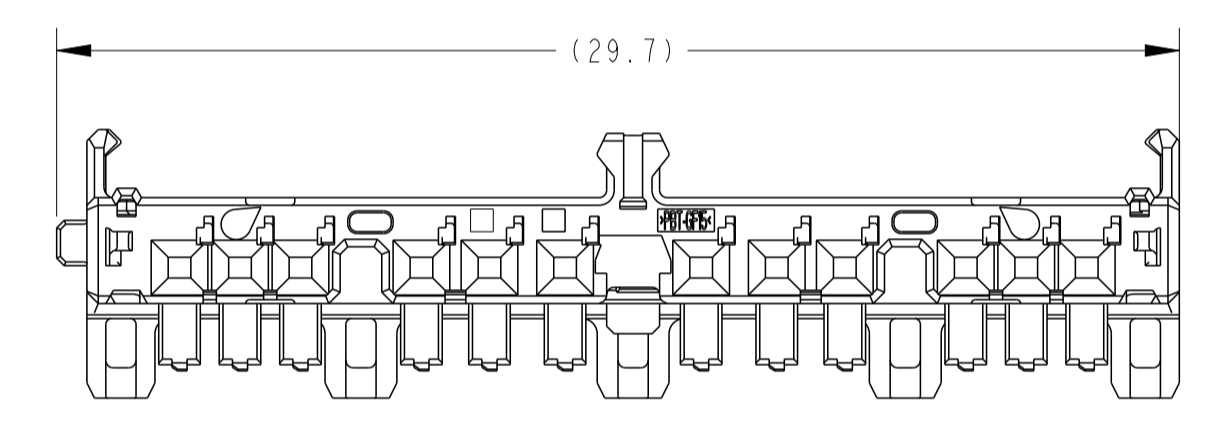
2-1903608-5  
 ② 2-1903608-6



1903608-4  
 ① 1-1903608-0  
 1-1903608-6



1903608-5



1903608-6  
 1-1903608-8

- 本製品は、別番のコンポーネントと組合せて使用する。
  - 取扱説明書 NO: 411-78268
  - 組合せ相手型番: 取扱説明書を参照のこと。
  - 適合相手代表型番: 取扱説明書を参照のこと。
  - 適用端子: TABLE-1 参照
- THIS PRODUCT IS USED STACK WITH ANOTHER COMPONENTS.
  - HANDLING OF THIS PART SHOULD FOLLOW INSTRUCTION SHEET NO.411-78268.
  - COMPONENTS NUMBER OF STACKING; REFERENCE TO INSTRUCTION SHEET.
  - MATING CONNECTOR PART(TYPICAL); REFERENCE TO INSTRUCTION SHEET.
  - APPLIED TERMINAL; SEE TABLE-1

		APPLIED TERMINAL P/N 適用端子 P/N	APPLICABLE WIRE RANGE 適用電線
SIGNAL 0.5	TIN	1827855-4	0.13~0.5mm <sup>2</sup>
	TIN	1827855-1	
	GOLD	1903703-1	
	TIN	1827855-2	
	TIN	1827855-3	

PACKING STYLE	COLOR	PART NO.
PAPER BOX ダンボール箱	GRAY	1-1903608-8
		<del>1-1903608-7</del>
		1-1903608-6
		<del>1-1903608-5</del>
		<del>1-1903608-4</del>
	① 1-1903608-3	
	BLACK	② 2-1903608-6
		<del>2-1903608-2</del>
		<del>1-1903608-0</del>
		1903608-8
1903608-7		
SOFT TRAY プラスチックトレイ	NATURAL	2-1903608-5
		1903608-6
		1903608-5
		1903608-4
		1903608-3
		1903608-2
		1903608-1

THIS DRAWING IS A CONTROLLED DOCUMENT.

DIMENSIONS: 単位: mm	TOLERANCES UNLESS OTHERWISE SPECIFIED: 公差 ±0.3	OWN: K. KATO	09DEC08
		CHK: R. KOMIYAMA	09DEC08
		APPR: H. YAMAGAMI	09DEC08
		NAME: 0.5 12POSITION HOUSING ASSY STACKING TYPE	
		PRODUCT SPEC: 108-78437	
		APPLICATION SPEC: 108-78437	
MATERIAL: PBT	FINISH: SEE TABLE	WEIGHT: 1.25 g	SIZE: A1
		CUSTOMER DRAWING	SCALE: 5:1

RESTRICTED TO SHEET 1 OF 1 REV. B3

## X-ON Electronics

Largest Supplier of Electrical and Electronic Components

*Click to view similar products for [Headers & Wire Housings](#) category:*

*Click to view products by [TE Connectivity](#) manufacturer:*

Other Similar products are found below :

[892-18-020-10-001101](#) [58102-G61-06LF](#) [582553-1](#) [0009485154](#) [009176003701906](#) [0050291907](#) [LY20-4P-DT1-P1E-BR](#) [02.125.8002.8](#)  
[609-3404](#) [61062-3](#) [61082-181009](#) [622-3653LF](#) [63453-116](#) [636-1030](#) [636-1427](#) [636-3427](#) [636-4007](#) [641938-9](#) [641991-4](#) [644827-2](#) [65817-](#)  
[010LF](#) [65817-015LF](#) [65863-015LF](#) [66207-023LF](#) [67095-007LF](#) [67601157](#) [68645-018](#) [68648-049](#) [70.362.1628.0](#) [70-4210](#) [70-4226B](#) [70-](#)  
[4853B](#) [707-5020](#) [707-5028](#) [71.350.2428.0](#) [71918-208LF](#) [71961-016LF](#) [733-134](#) [733-162](#) [754199-000](#) [760-3052](#) [787-8014-00](#) [79531-3000](#)  
[FCN-360C032-B](#) [FCN-367T-T012/H](#) [FCN-723D010/2](#) [80.063.4001.1](#) [800-90-001-10-001000](#) [800-90-010-10-002000](#) [801-43-002-10-013000](#)