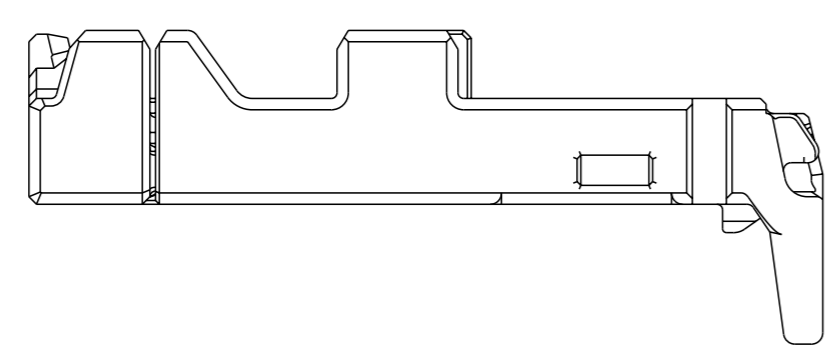
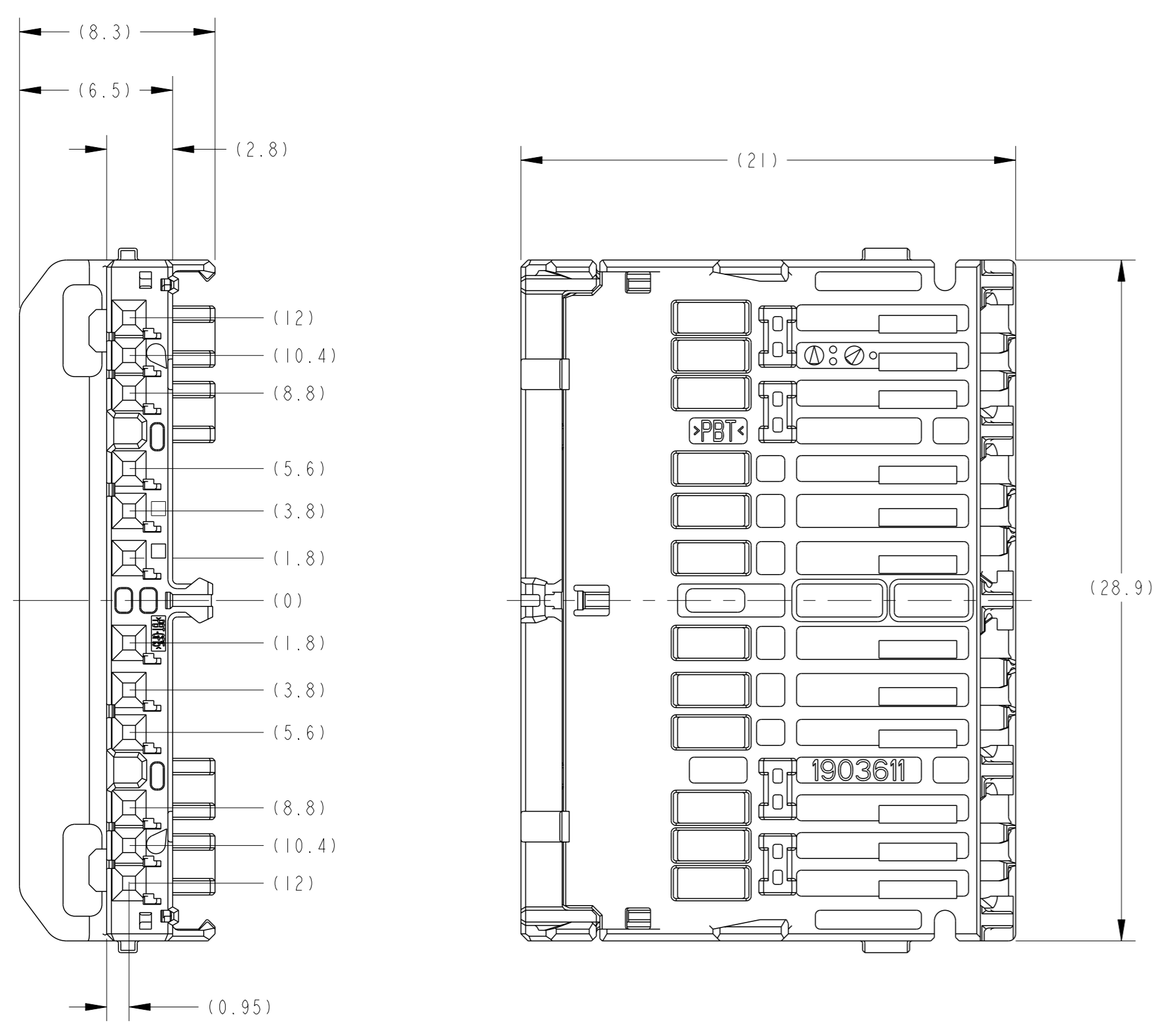


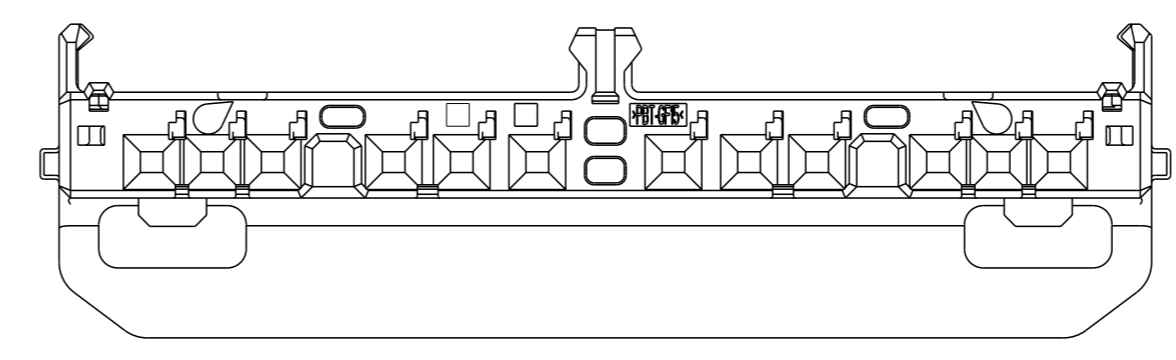
-1: AS SHOWN  
-1: 本図



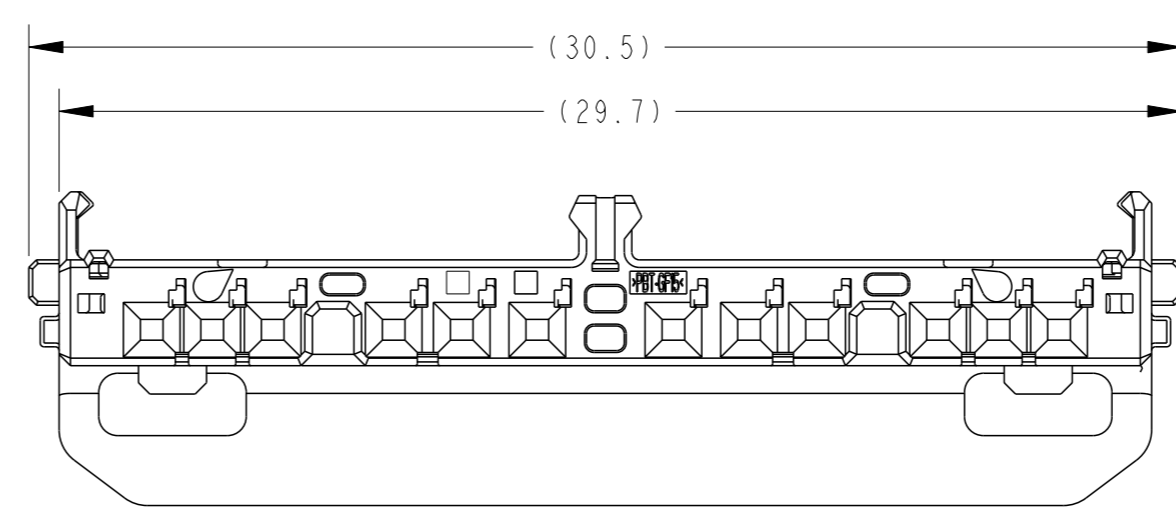
1. 本製品は、別番のコンポーネントと組合せて使用する。
  2. 取扱説明書 NO: 411-78268, 78269
  3. 組合せ相手型番: 取扱説明書を参照のこと。
  4. 組合相手代表型番: 取扱説明書を参照のこと。
  5. 適用端子: TABLE-1参照
1. THIS PRODUCT IS USED STACK WITH ANOTHER COMPONENTS.
  2. HANDLING OF THIS PART SHOULD FOLLOW INSTRUCTION SHEET NO.411-78268,78269.
  3. COMPONENTS NUMBER OF STACKING;REFERENCE TO INSTRUCTION SHEET.
  4. MATING CONNECTOR PART(TYPICAL);REFERENCE TO INSTRUCTION SHEET.
  5. APPLIED TERMINAL;SEE TABLE-1

TABLE-1

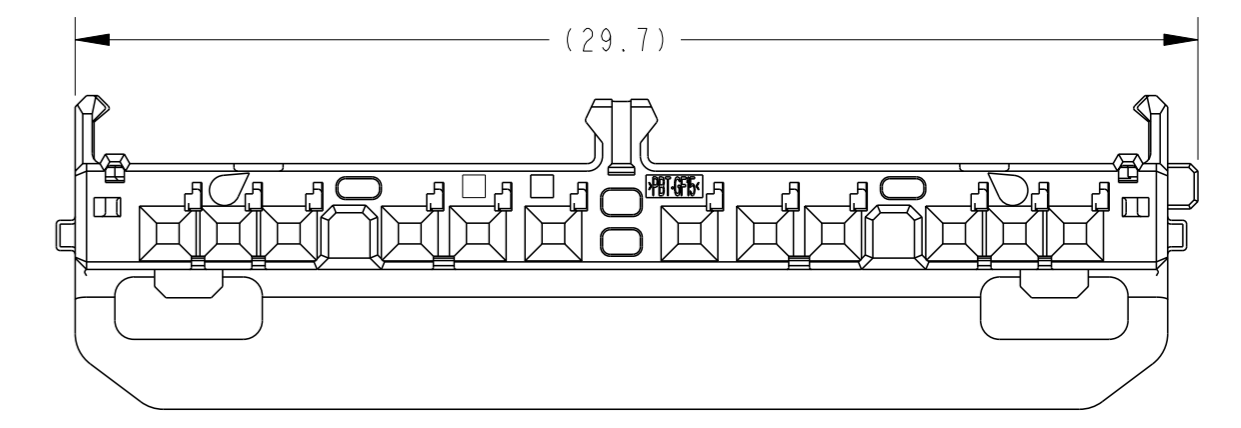
|               |      | APPLIED TERMINAL P/N<br>適用端子 P/N | APPLICABLE WIRE RANGE<br>適用電線 |
|---------------|------|----------------------------------|-------------------------------|
| SIGNAL<br>0.5 | TIN  | 1827855-4                        | 0.13-0.5mm <sup>2</sup>       |
|               | TIN  | 1827855-1                        |                               |
|               | GOLD | 1903703-1                        |                               |
|               | TIN  | 1827855-2                        |                               |
|               | TIN  | 1827855-3                        |                               |



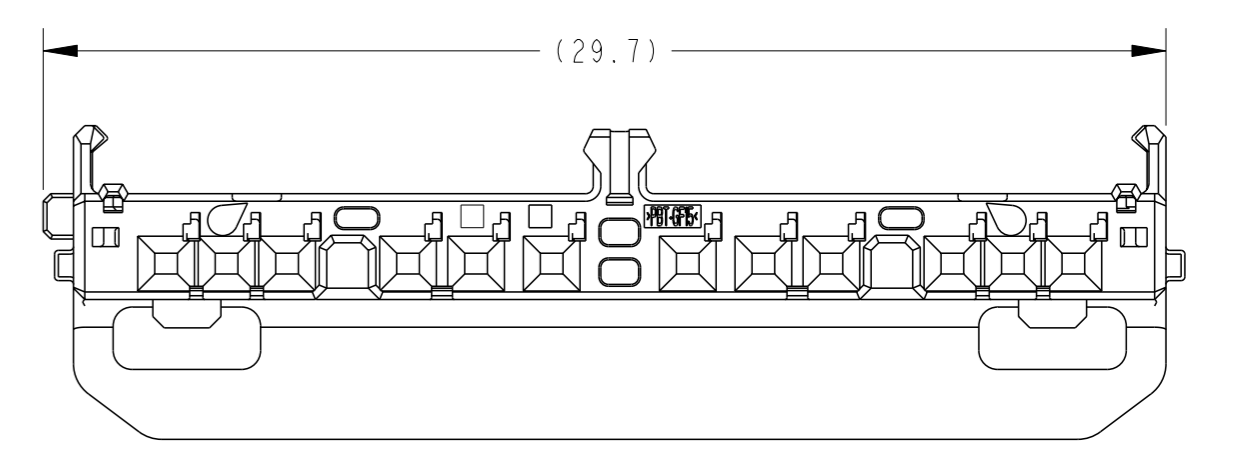
1903611-4  
1-1903611-0  
1-1903611-6



2-1903611-5  
2-1903611-6



1903611-5  
1-1903611-1  
1-1903611-7



1903611-6  
1-1903611-2

| REVISIT |     | REVISIONS |             |               |     |      |
|---------|-----|-----------|-------------|---------------|-----|------|
| LOC     | REV | DATE      | DESCRIPTION | DATE          | OWN | APVD |
| J       | X   |           |             |               |     |      |
| A       |     | 09DEC08   | RELEASED    |               | KK  | HY   |
| A1      |     | 07SEP12   | REVISIED    | ECR-09-014331 | KK  | HY   |
| A2      |     | 03OCT2017 | REVISIED    | ECR-17-014392 | KK  | TK   |

| PACKING STYLE       | COLOR                  | PART NO.    |             |
|---------------------|------------------------|-------------|-------------|
| PAPER BOX<br>タンボール箱 | SOFT TRAY<br>プラスチックトレイ | GRAY        | 2-1903611-7 |
|                     |                        | BLACK       | 2-1903611-6 |
|                     |                        | NATURAL     | 2-1903611-5 |
|                     |                        | GRAY        | 1-1903611-8 |
|                     |                        |             | 1-1903611-7 |
|                     |                        |             | 1-1903611-6 |
|                     | BLACK                  | 1-1903611-5 |             |
|                     |                        | 1-1903611-4 |             |
|                     |                        | 1-1903611-3 |             |
|                     |                        | 1-1903611-2 |             |
|                     |                        | 1-1903611-1 |             |
|                     |                        | 1-1903611-0 |             |
| NATURAL             | 1-1903611-9            |             |             |
|                     | 1-1903611-8            |             |             |
|                     | 1-1903611-7            |             |             |
|                     | 1903611-6              |             |             |
|                     | 1903611-5              |             |             |
|                     | 1903611-4              |             |             |
| 1903611-3           |                        |             |             |
| 1903611-2           |                        |             |             |
| 1903611-1           |                        |             |             |

THIS DRAWING IS A CONTROLLED DOCUMENT. OWN: K. KATO 09DEC08. CHK: R. KOMIYAMA 09DEC08. APVD: H. YAMAGAMI 09DEC08. NAME: 0.5 12POSITION HOUSING ASSY STACKING TYPE. MATERIAL: PBT. FINISH: SEE TABLE. WEIGHT: 1.29 g. SIZE: A1. CUSTOMER DRAWING. SCALE: 5:1. SHEET 1 OF 1. REV: A2.

## X-ON Electronics

Largest Supplier of Electrical and Electronic Components

*Click to view similar products for [Automotive Connectors](#) category:*

*Click to view products by [TE Connectivity](#) manufacturer:*

Other Similar products are found below :

[003-018-000](#) [60403001](#) [60993906-B](#) [M902-2131](#) [M902-2161](#) [72.330.1035.1](#) [73.353.4028.0](#) [F119300-B](#) [F166900](#) [F258300-B](#) [F358300-B](#)  
[F407400](#) [F444110](#) [F487000](#) [F509500B-B](#) [827153-1](#) [8N1515-32-24P](#) [9-1326729-8](#) [925474-1](#) [928905-1](#) [964562-4](#) [968782-1](#) [GT17SA-8DS-](#)  
[HU](#) [98891-1012](#) [98947-1016](#) [12004147](#) [12004475-L](#) [12010290](#) [12010309-B](#) [12015454](#) [12020219-B](#) [12020308](#) [12041318-B](#) [12052225-L](#)  
[12052466](#) [12059125](#) [12064869](#) [12004327-B](#) [12010503-B](#) [12015308](#) [12015384](#) [12015909](#) [1-21030-1](#) [12041254](#) [12041318](#) [12047946-B](#)  
[12047957](#) [12047957-L](#) [12059473](#) [12066261](#)