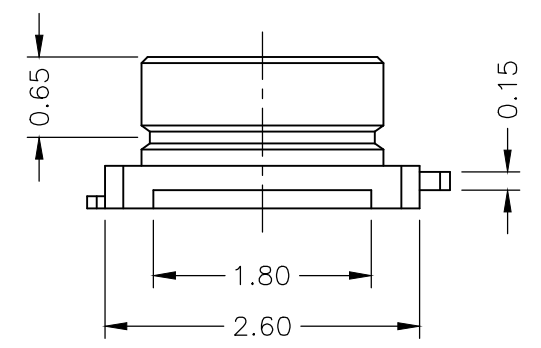
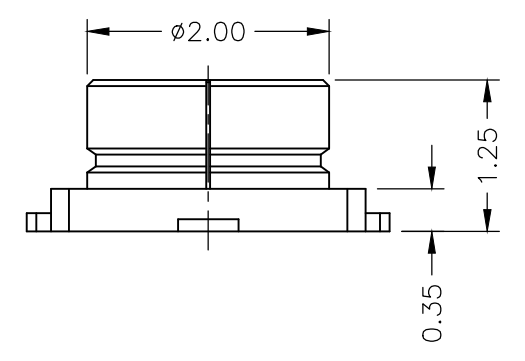
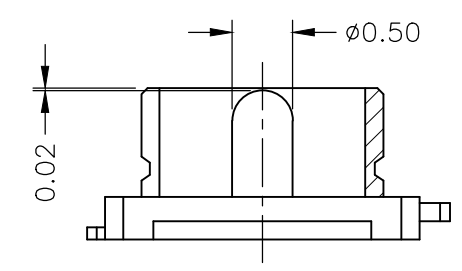
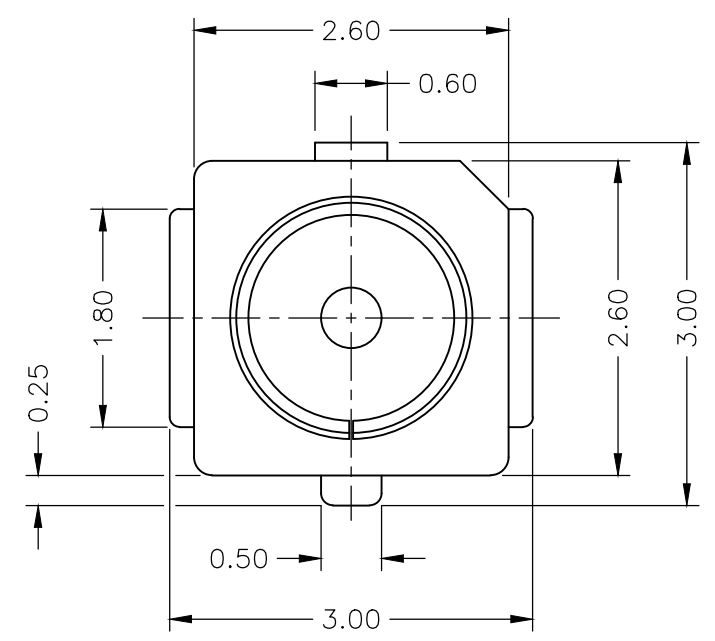


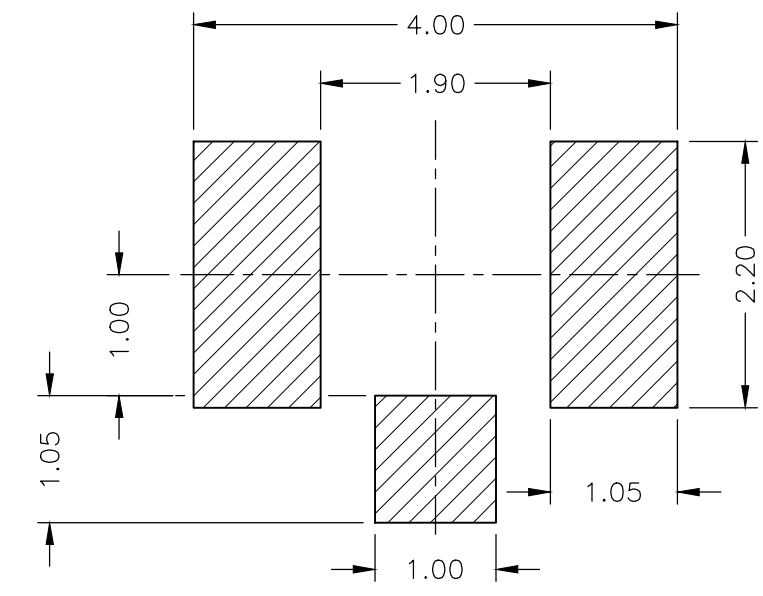
THIS DRAWING IS UNPUBLISHED. RELEASED FOR PUBLICATION  
 © COPYRIGHT - By - ALL RIGHTS RESERVED.

LOC	DIST	REVISIONS			
P	LTR	DESCRIPTION	DATE	DWN	APVD
AJ	00	B3	ECR-18-010179	29JUN2018	RZ RS

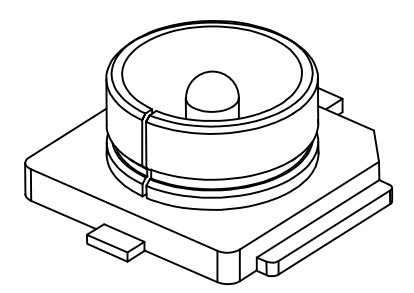
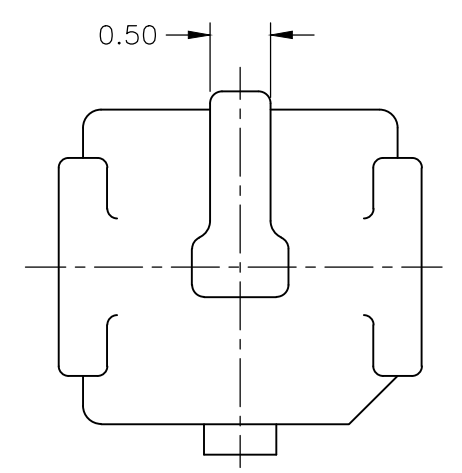


NOTES

- 1 PACKAGING: 5K/REEL x 6 = 30K PER BOX.
- 2 MATERIAL & FINNISH:
  - 2.1 CONTACT MATERIAL: COPPER ALLOY.
  - 2.2 INSULATOR: HIGH TEMPERATURE PLASTIC UL94V-0..
  - 2.3 CONTACT FINISH: GOLD 5U" ON MATING AREA,GOLD FLASH ON SOLDER TAILS, ALL OVER 50U" NICKEL(MIN.) UNDER PLATED.



RECOMMENDED PCB LAYOUT



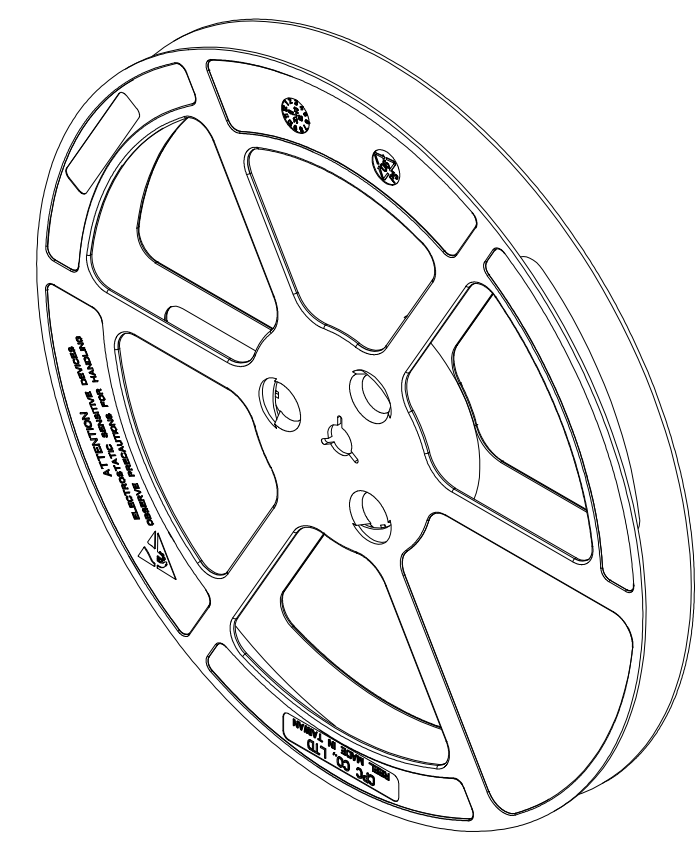
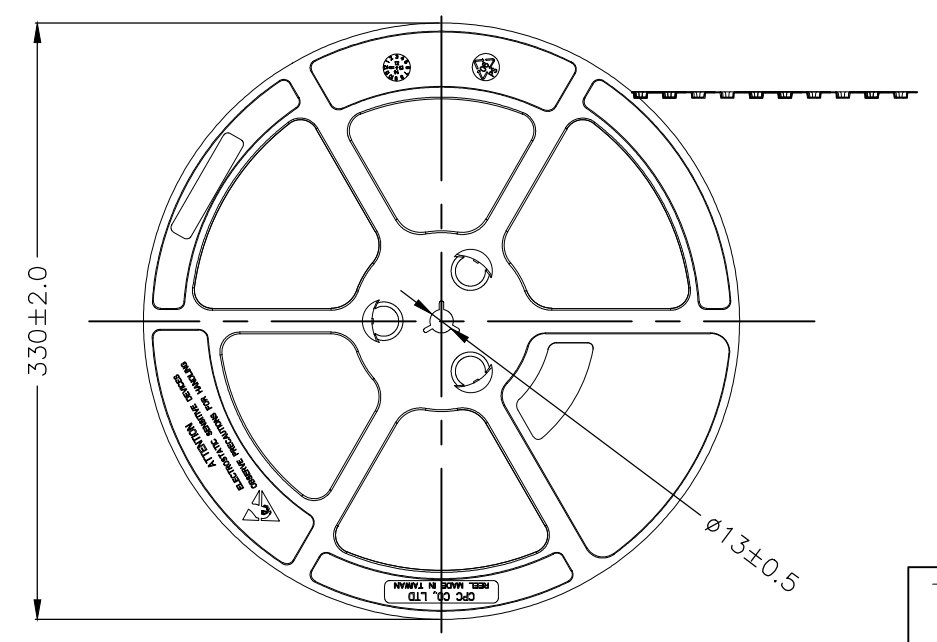
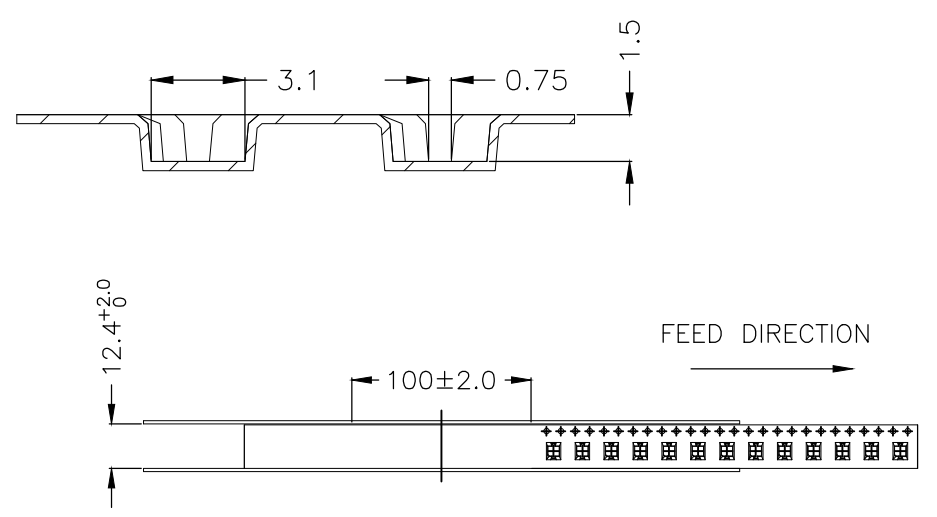
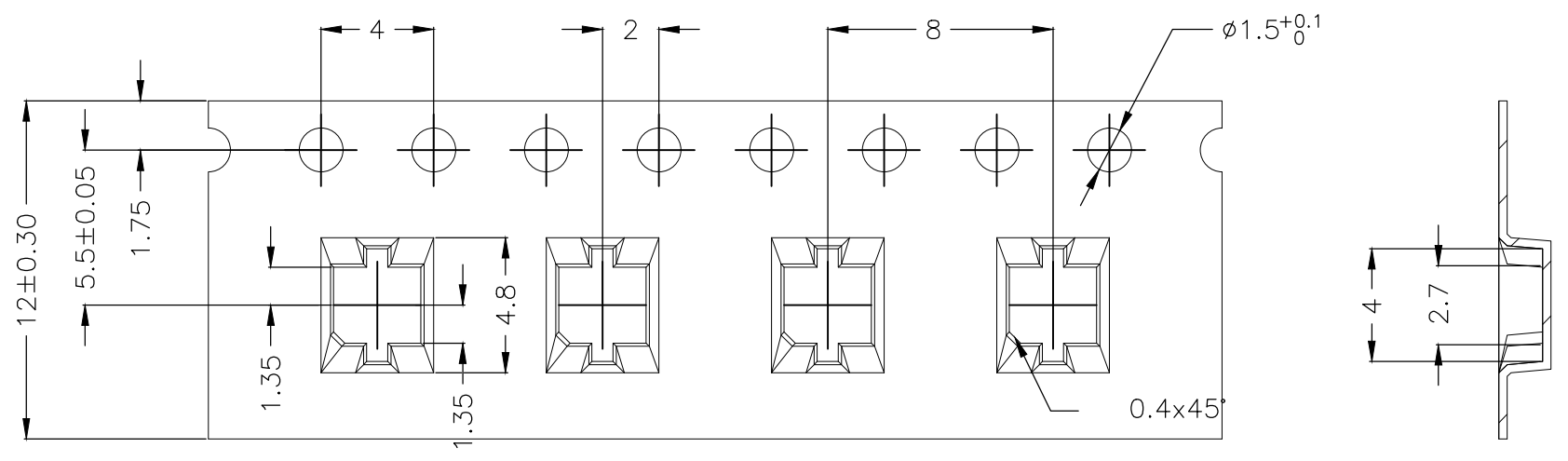
1909763-1
PART NUMBER

Q'TY	U/M	DESCRIPTION	ITEM NO.
1	EA	GROUND PAD: METAL SHELL, GOLD PLATING	3
1	EA	CENTER PIN: CENTER CNT, GOLD PLATING	2
1	MM	HOUSING: OVER MOLD HOUSING, LCP,IVORY,UL94V-0	1

THIS DRAWING IS A CONTROLLED DOCUMENT.		DWN GARY GAO 16Aug2010		TE Connectivity MINI. RF HEADER	
DIMENSIONS: mm [INCHES]		CHK RITA ZUO 16Aug2010			
TOLERANCES UNLESS OTHERWISE SPECIFIED:		APVD JONGSENG GOH 16Aug2010			
0 PLC ± 0.5 1 PLC ± 0.35 2 PLC ± 0.25 3 PLC ± 0.05 4 PLC ± - ANGLES ± 3°		NAME			
MATERIAL SEE NOTE		FINISH SEE NOTE		PRODUCT SPEC 108-112005	
		WEIGHT -		APPLICATION SPEC	
		SIZE A3		CAGE CODE 00779	
		DRAWING NO C-1909763		RESTRICTED TO -	
		CUSTOMER DRAWING		SCALE 16:1	
				SHEET 1 OF 2	
				REV B3	

THIS DRAWING IS UNPUBLISHED. RELEASED FOR PUBLICATION  
 © COPYRIGHT - By - ALL RIGHTS RESERVED.

LOC	DIST	REVISIONS					
AJ	00	P	LTR	DESCRIPTION	DATE	DWN	APVD
		-		SEE SHEET 1	-	-	-



THIS DRAWING IS A CONTROLLED DOCUMENT.		DWN	GARY GAO	16Aug2010	<b>STE</b> TE Connectivity		
DIMENSIONS: mm [INCHES]		CHK	RITA ZUO	16Aug2010			
TOLERANCES UNLESS OTHERWISE SPECIFIED:		APVD	JONGSENG GOH	16Aug2010	NAME		
0 PLC ± 0.15		PRODUCT SPEC			MINI. RF HEADER		
1 PLC ± 0.10		108-112005			SIZE		
2 PLC ± 0.10		APPLICATION SPEC			CAGE CODE	DRAWING NO	RESTRICTED TO
3 PLC ± -		-			A3	00779	C-1909763
4 PLC ± -		WEIGHT			SCALE		
ANGLES ± 3°		-			NTS		
MATERIAL		CUSTOMER DRAWING			SHEET		
SEE NOTE		-			2 OF 2		
FINISH		SEE NOTE			REV		
SEE NOTE		-			B3		

## X-ON Electronics

Largest Supplier of Electrical and Electronic Components

*Click to view similar products for [RF Connectors / Coaxial Connectors](#) category:*

*Click to view products by [TE Connectivity](#) manufacturer:*

Other Similar products are found below :

[8915-1511-000](#) [89674-0827](#) [6001-7071-019](#) [6002-7051-003](#) [6002-7551-202](#) [6059674-1](#) [619550-1](#) [630059-000](#) [M39030/3-01N](#) [6500-7071-046](#) [6769](#) [CX050L2AQ](#) [7002-1541-010](#) [7002-1542-011](#) [7004-1512-000](#) [7009-1511-004](#) [7010-1511-000](#) [7029-1511-060](#) [7101-1541-010](#) [7101-1571-002](#) [7145-1521-002](#) [7203-1571-003](#) [7209-1511-011](#) [7210-1511-015](#) [7210-1511-019](#) [73137-5015](#) [73216-2241](#) [73404-2300](#) [7405-1521-005](#) [7405-1521-802](#) [8527](#) [8547](#) [FS11V](#) [877931](#) [8808-1511-001](#) [9049-9513-000](#) [9074-9513-000](#) [9101-9573-002](#) [910A205F](#) [9130-9573-002](#) [PL11SC-026](#) [PL375-33](#) [PL40-5](#) [PL74C-221](#) [PL75MC-217](#) [PL803-7](#) [1200690078](#) [1-201144-1](#) [R107003010W](#) [R110A172100](#)